



US00D694037S

(12) **United States Design Patent**
Primeau

(10) **Patent No.:** **US D694,037 S**

(45) **Date of Patent:** **** Nov. 26, 2013**

(54) **CONTAINER**

(75) Inventor: **Mario Primeau, St-Leonard (CA)**

(73) Assignee: **Artika for Living Inc., Dorval (CA)**

(**) Term: **14 Years**

(21) Appl. No.: **29/430,837**

(22) Filed: **Aug. 30, 2012**

(51) **LOC (9) Cl.** **06-06**

(52) **U.S. Cl.**
USPC **D6/514**

(58) **Field of Classification Search**
USPC D6/553, 540, 567, 574, 512-514;
D3/201, 304, 315, 901; 211/13.1, 85.1,
211/82.12, 70.6, 86.01, 87.01, 119.009,
211/126.1; 206/77.1, 5, 207, 349, 361,
206/363.812
See application file for complete search history.

(56) **References Cited**

U.S. PATENT DOCUMENTS

D265,152 S * 6/1982 Bruno et al. D6/525
D386,337 S * 11/1997 Zissu D6/513

D566,361 S * 4/2008 Snell D32/55
D577,914 S * 10/2008 Babic et al. D6/567
D608,574 S * 1/2010 Goodman et al. D6/513
D618,675 S * 6/2010 Thompson et al. D6/553
D636,201 S * 4/2011 Kolano et al. D6/553
D668,496 S * 10/2012 Ho et al. D6/553

* cited by examiner

Primary Examiner — Brian N Vinson

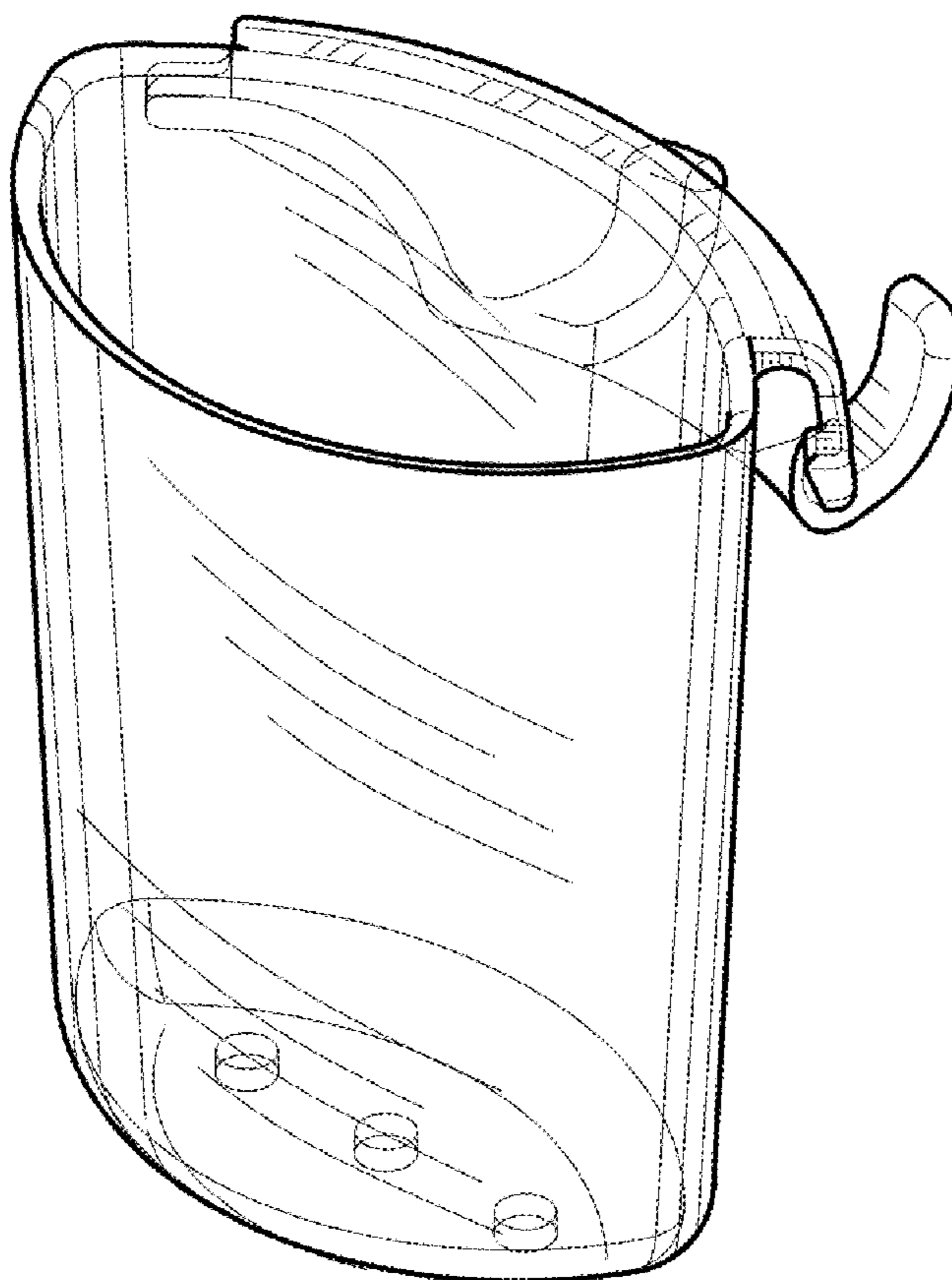
(74) *Attorney, Agent, or Firm* — Brouillette & Partners;
François Cartier; Robert Brouillette

(57) **CLAIM**
The ornamental design for a container, as shown.

DESCRIPTION

FIG. 1 is a front top perspective view of the container;
FIG. 2 is a bottom rear perspective view of the container;
FIG. 3 is a top view of the container;
FIG. 4 is a left side view of the container;
FIG. 5 is a front view of the container;
FIG. 6 is a right side view of the container;
FIG. 7 is a rear view of the container; and,
FIG. 8 is a bottom view of the container.

1 Claim, 3 Drawing Sheets



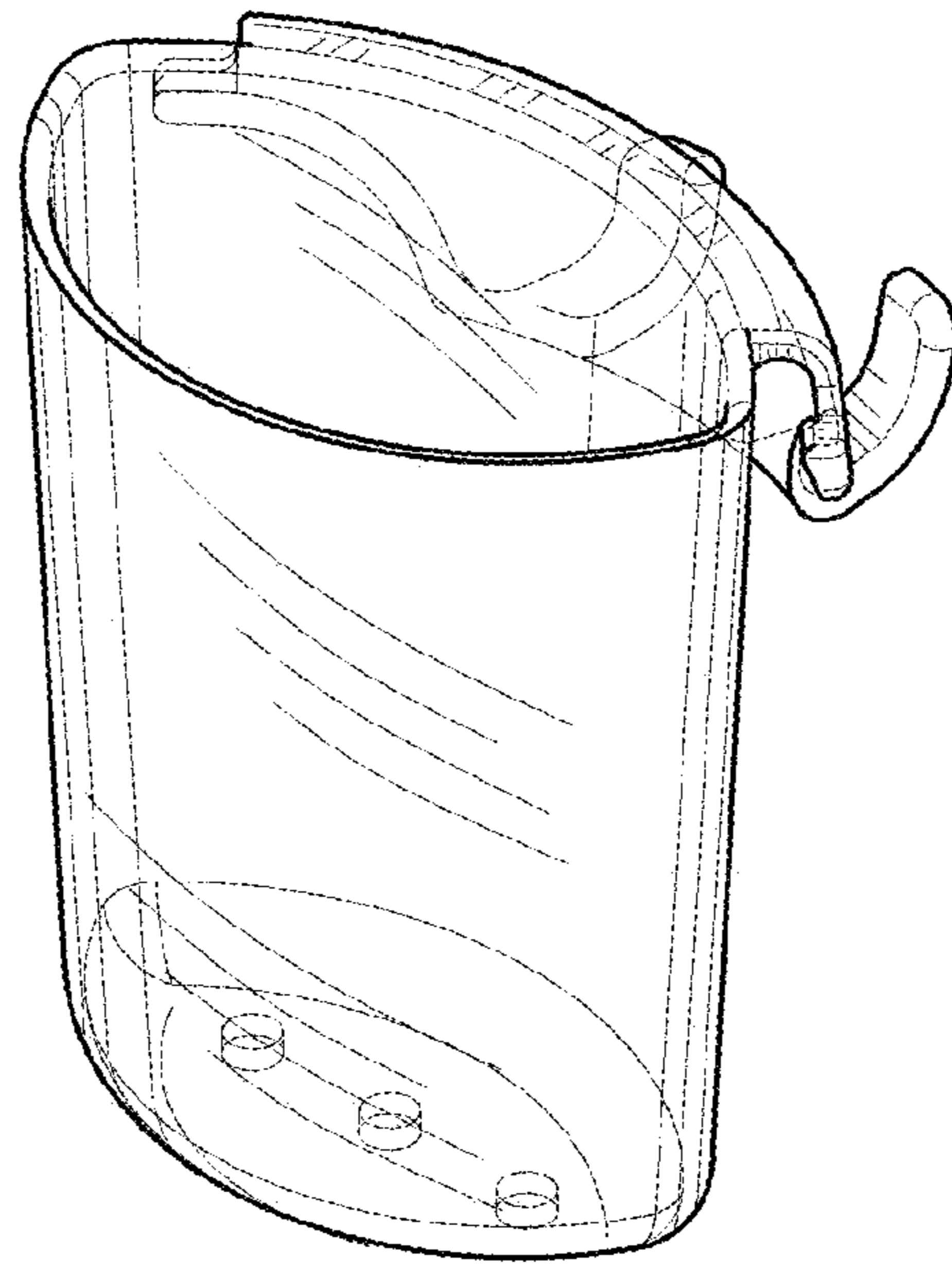


FIG - 1

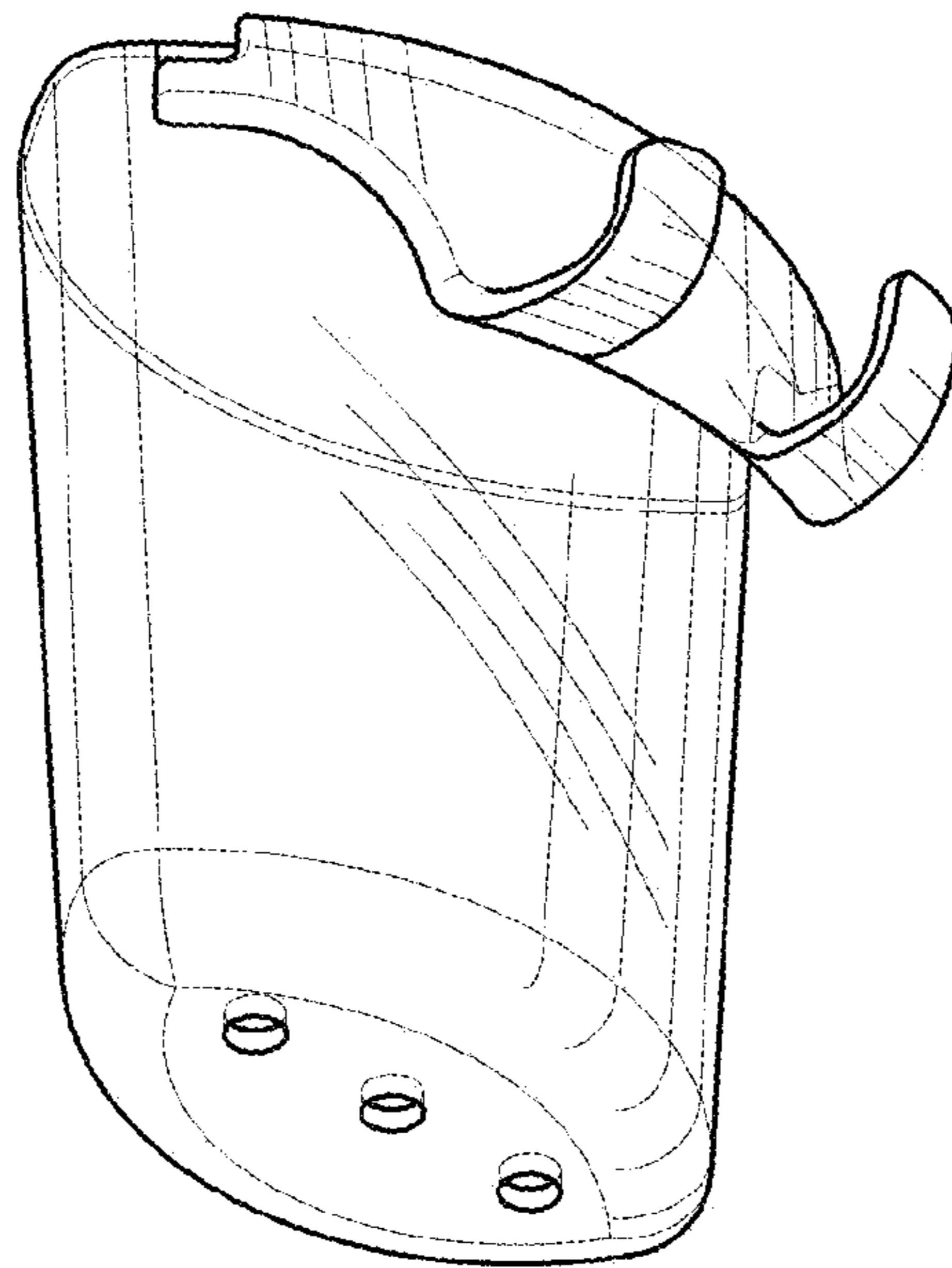


FIG - 2

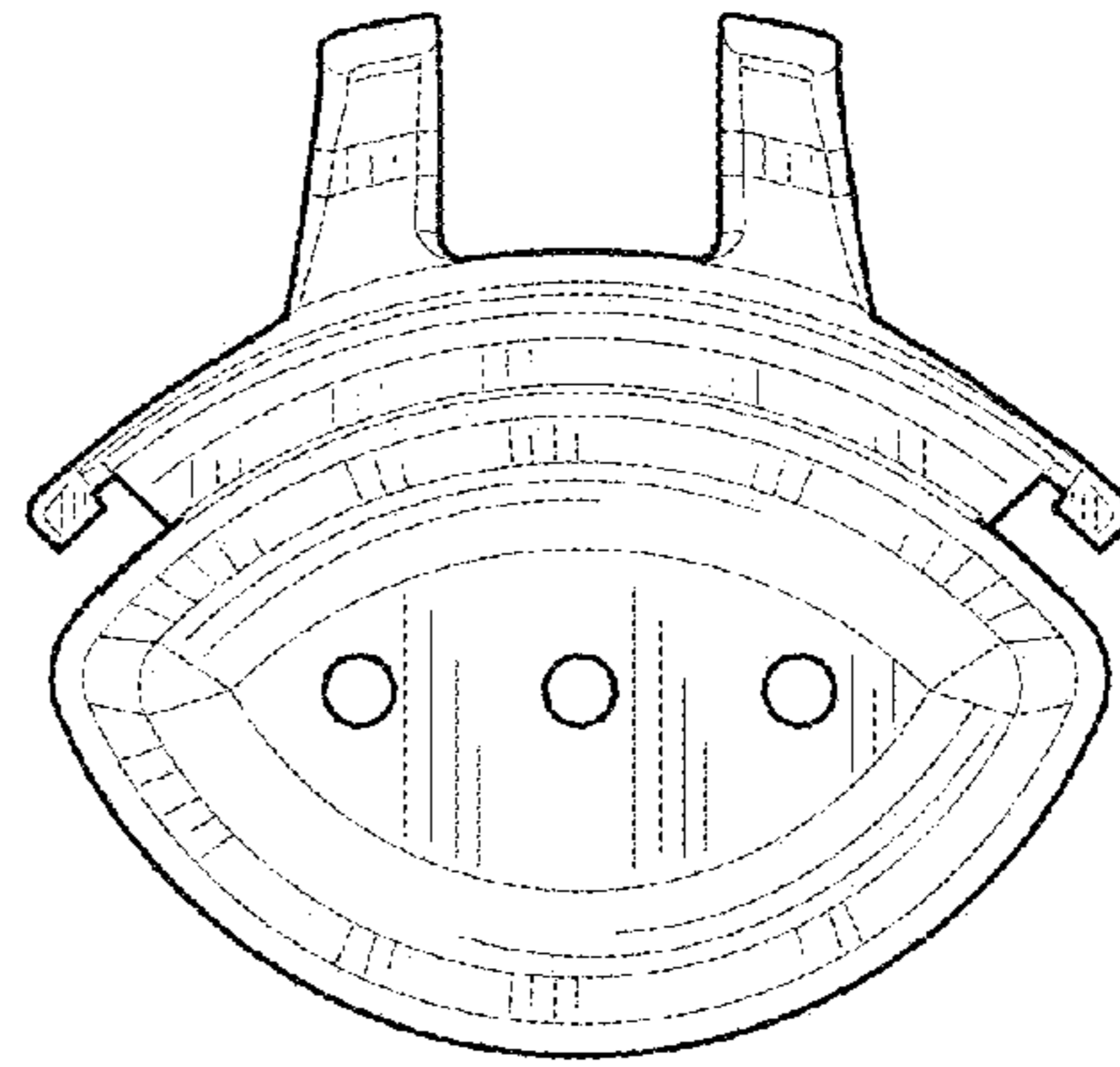


FIG - 3

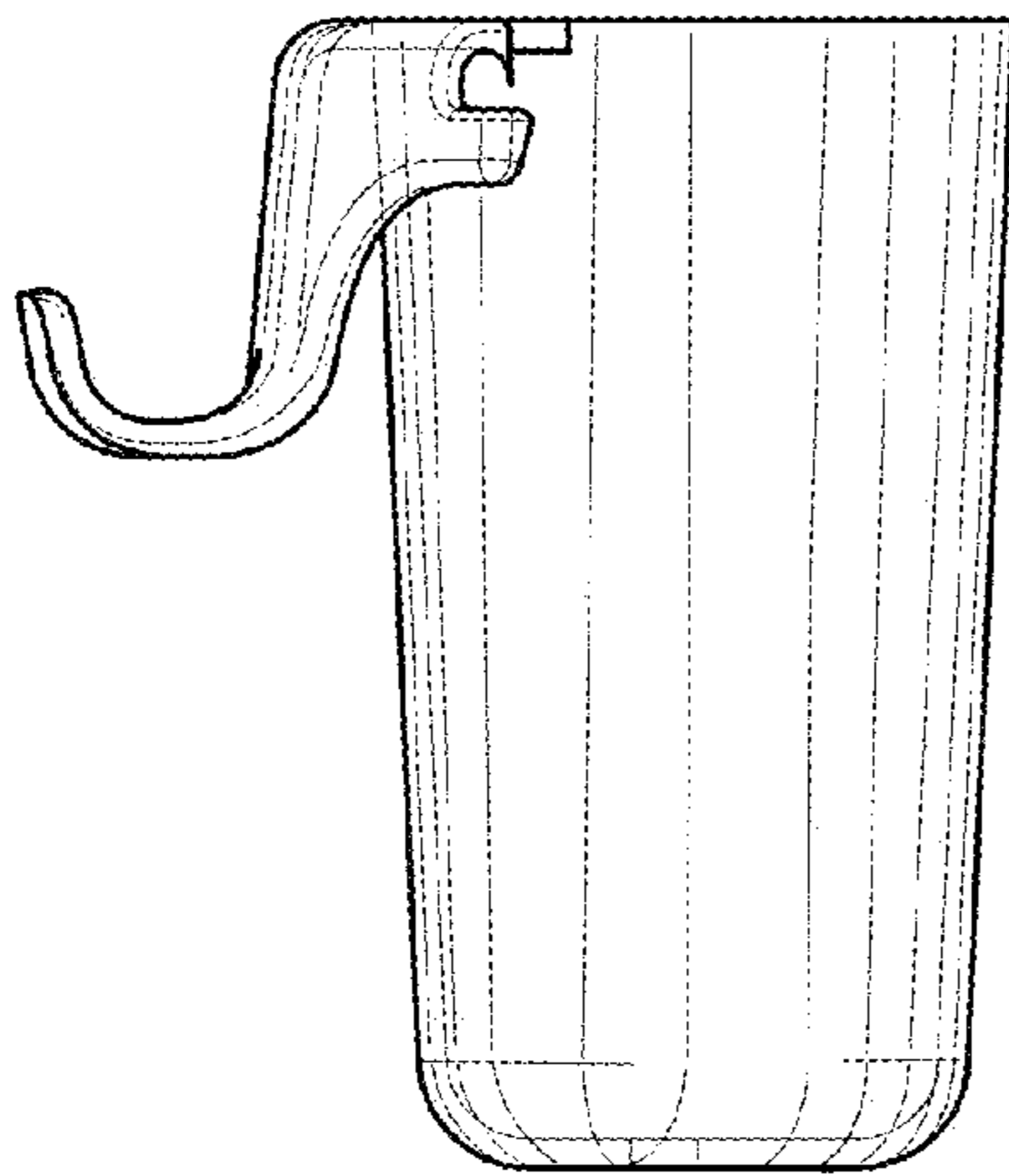


FIG - 4

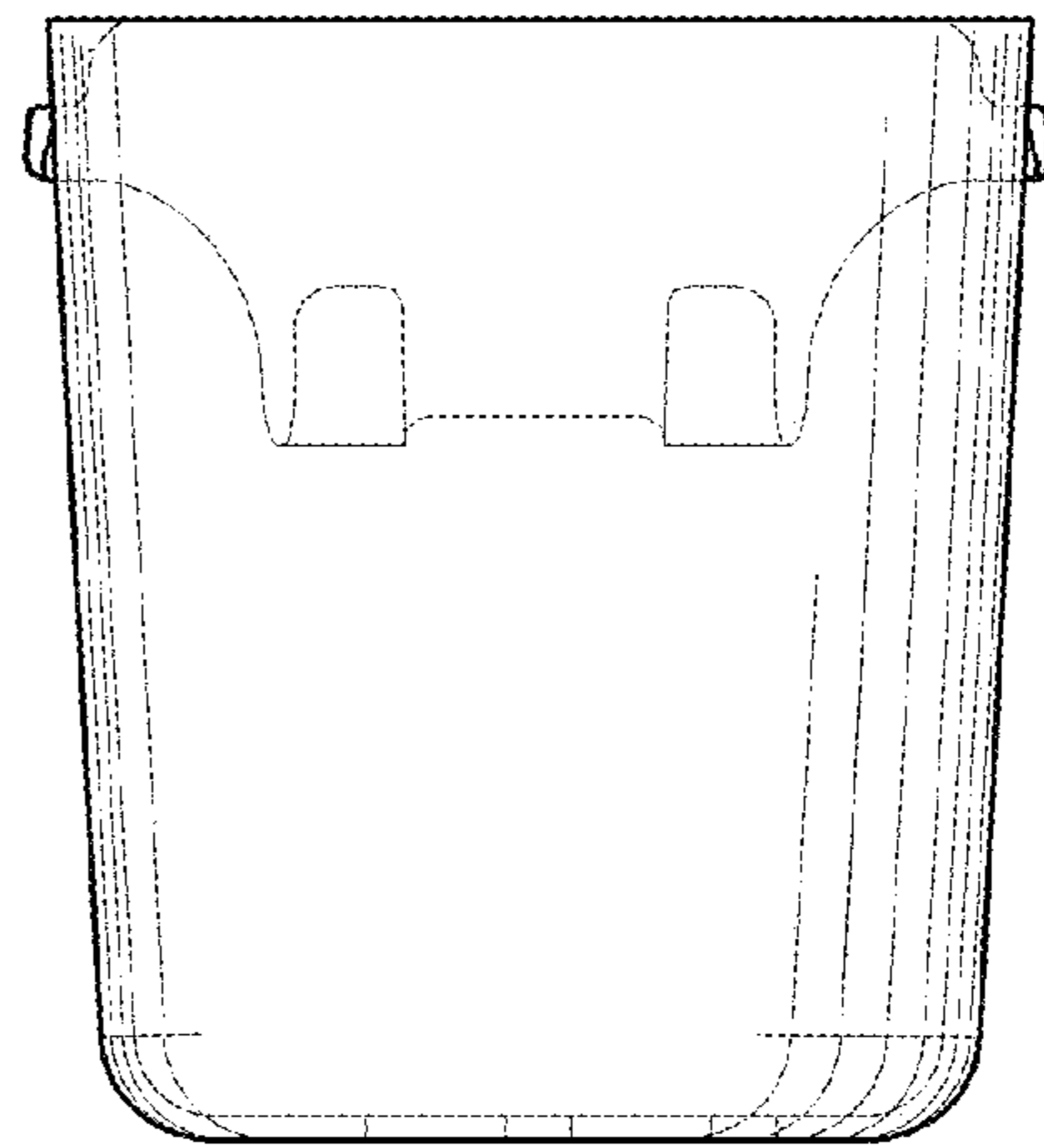


FIG - 5

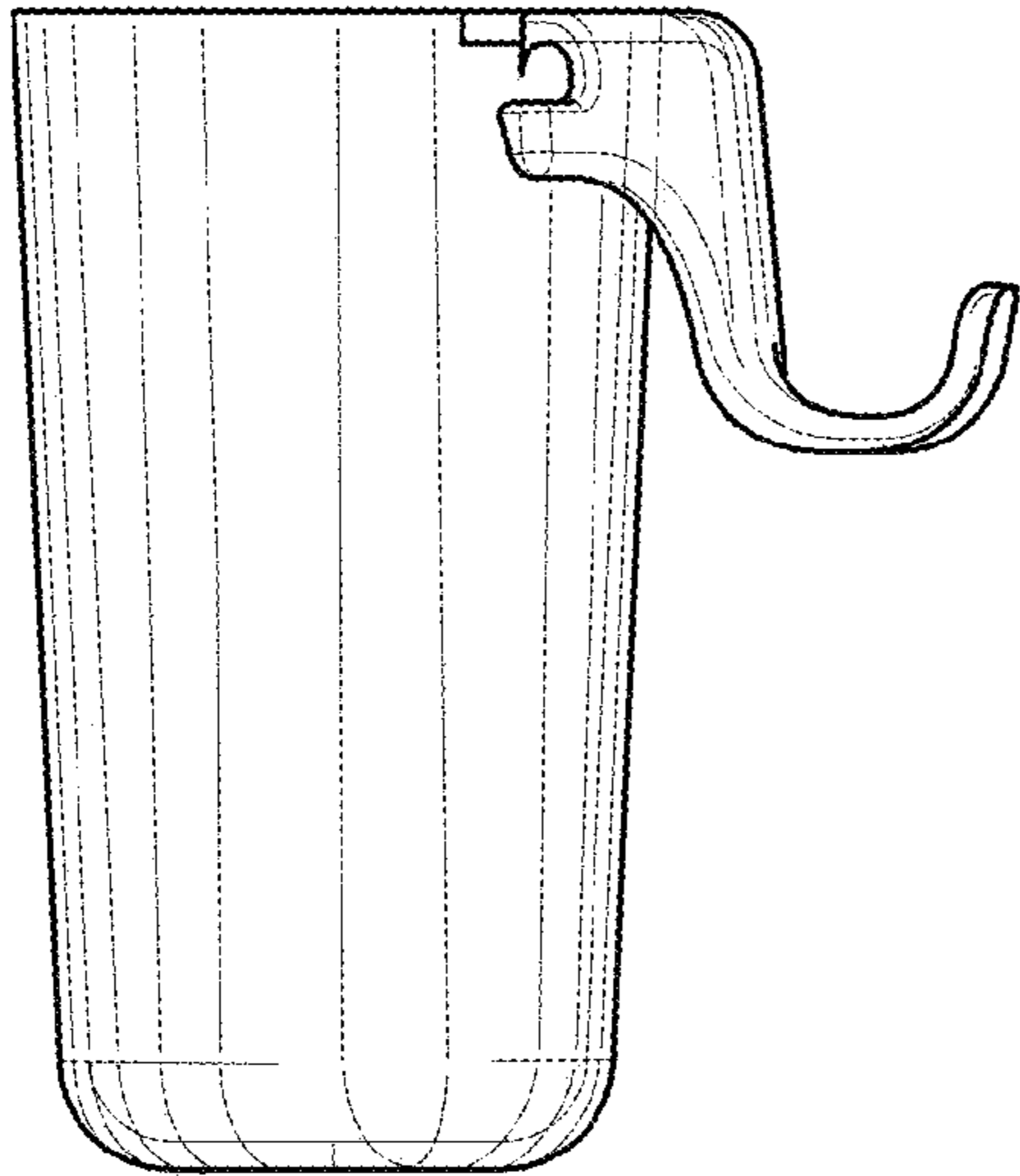


FIG - 6

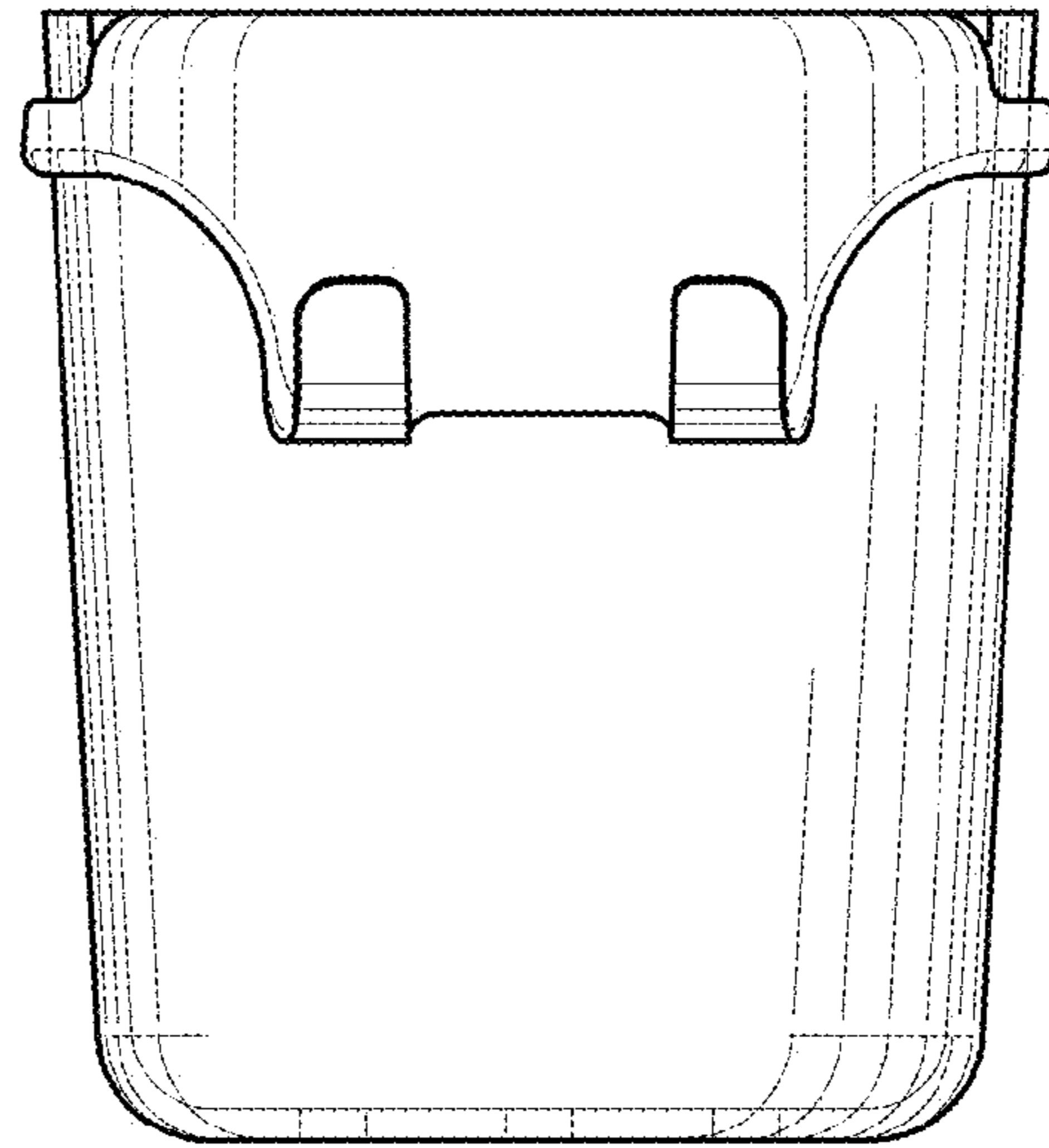


FIG - 7

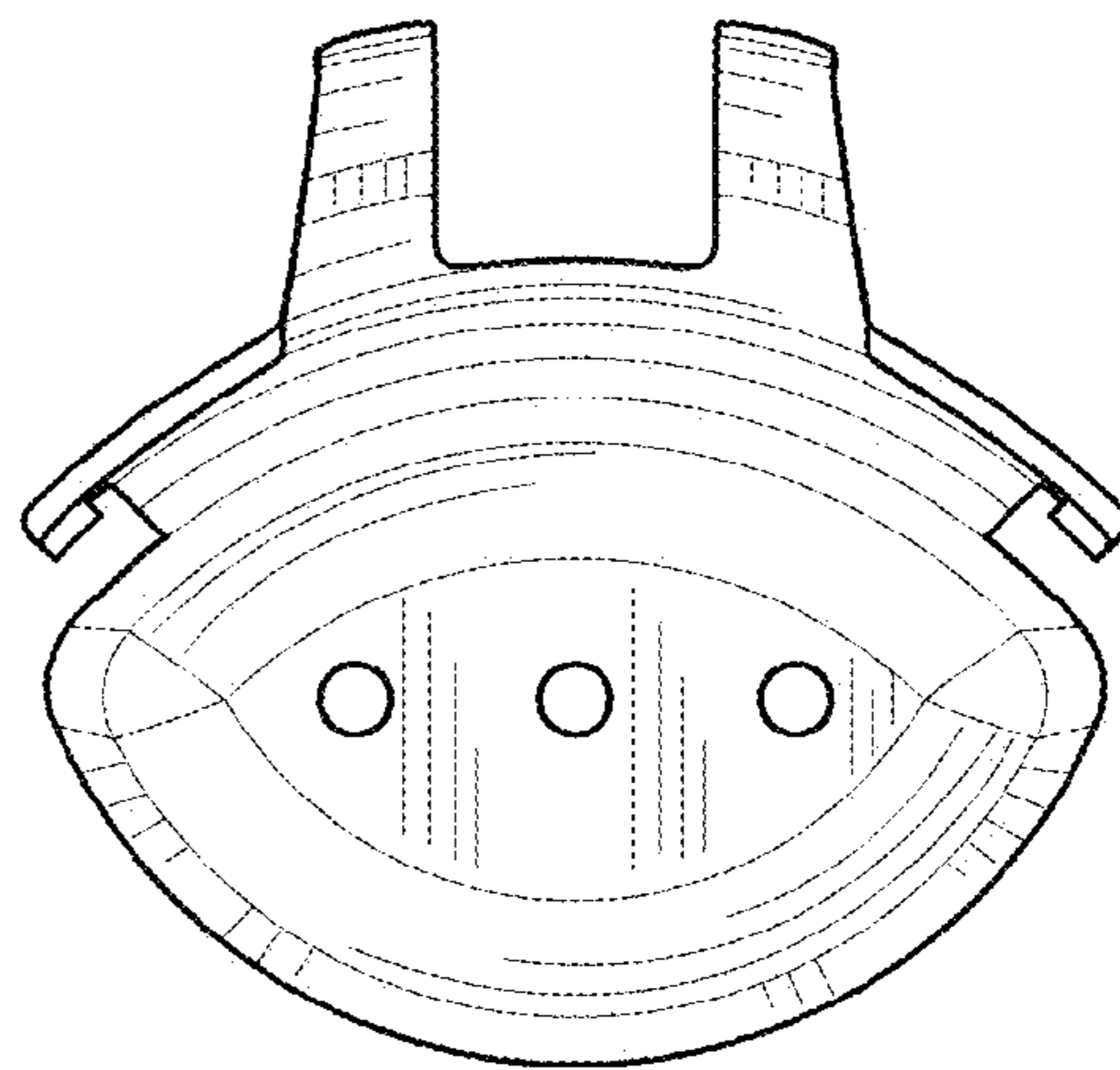


FIG - 8