

US00D694035S

(12) **United States Design Patent**
Cramer et al.

(10) **Patent No.:** **US D694,035 S**
(45) **Date of Patent:** **** Nov. 26, 2013**

(54) **HIGH BACK CHAIR**

(71) Applicant: **Krueger International, Inc.**, Green Bay, WI (US)

(72) Inventors: **E. Daniel Cramer**, Minneapolis, MN (US); **Paul A. James**, Edina, MN (US)

(73) Assignee: **Krueger International, Inc.**, Green Bay, WI (US)

(**) Term: **14 Years**

(21) Appl. No.: **29/462,797**

(22) Filed: **Aug. 8, 2013**

Related U.S. Application Data

(62) Division of application No. 29/423,238, filed on May 30, 2012, now Pat. No. Des. 690,526.

(51) **LOC (9) Cl.** **06-01**

(52) **U.S. Cl.**
USPC **D6/374**

(58) **Field of Classification Search**
USPC D6/334-336, 374, 375, 376, 379, 380,
D6/716, 716.1, 716.2, 716.3, 716.4;
297/411.42, 411.43, 445.1, 446.1

See application file for complete search history.

(56) **References Cited**

U.S. PATENT DOCUMENTS

D114,065 S *	4/1939	Hasenstein	D6/379
D180,688 S *	7/1957	Jiranek	D6/379
D181,261 S *	10/1957	Lubberts et al.	D6/379
D199,059 S *	9/1964	Jakobsen	D6/374
D222,997 S *	2/1972	Edgar et al.	D6/374
D379,563 S *	6/1997	Bally	D6/374
D651,017 S *	12/2011	Ciani et al.	D6/379
D666,842 S *	9/2012	Cramer et al.	D6/379

* cited by examiner

Primary Examiner — Mimosa De

(74) *Attorney, Agent, or Firm* — Andrus, Scales, Starke & Sawall, LLP

(57) **CLAIM**

The ornamental design for a high back chair, as shown and described.

DESCRIPTION

FIG. 1 is an isometric view of the high back chair without arms;

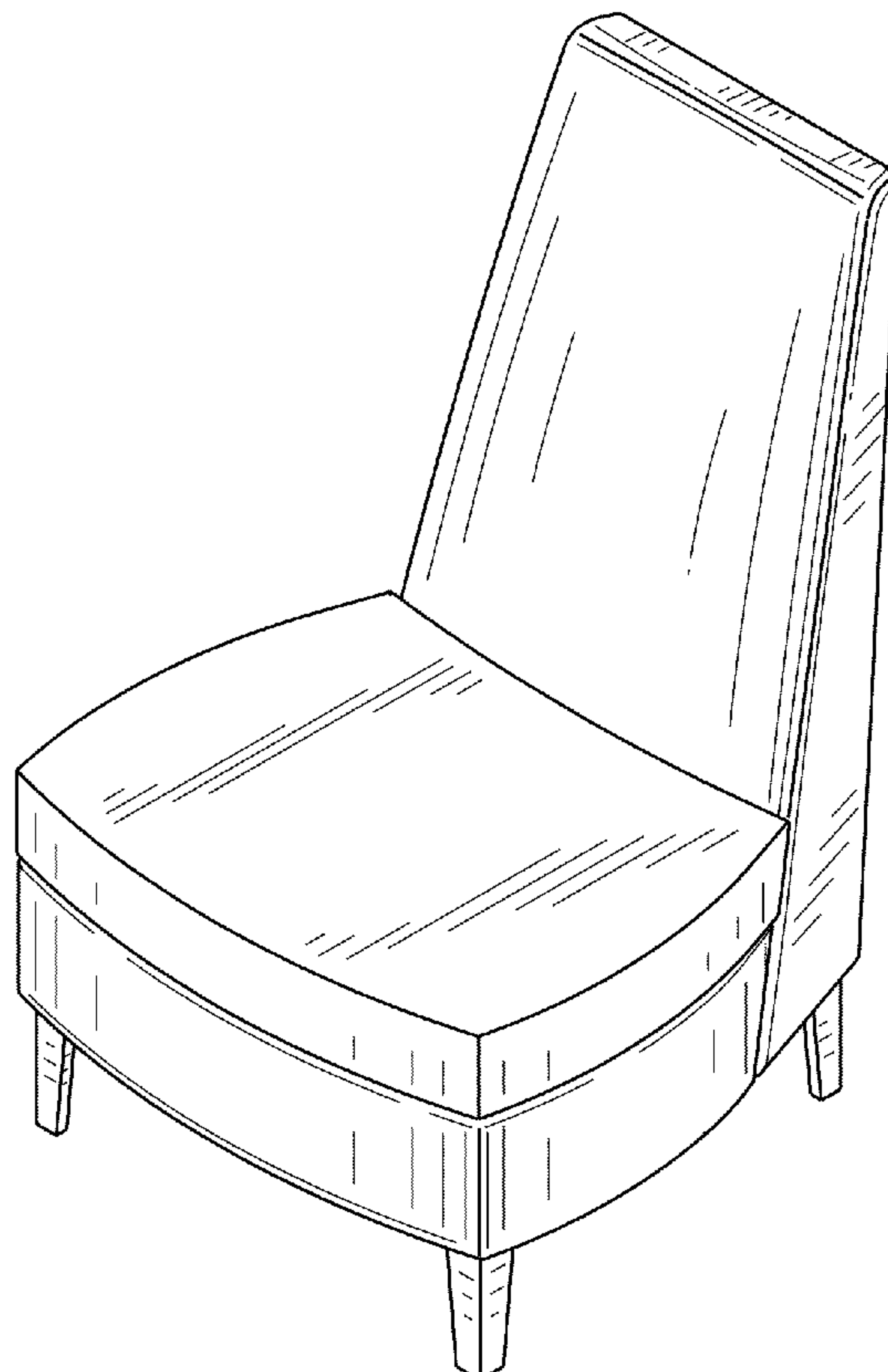
FIG. 2 is a right side view thereof, wherein the left side view is a mirror image;

FIG. 3 is a front view thereof;

FIG. 4 is a back view thereof; and,

FIG. 5 is a top view thereof.

1 Claim, 3 Drawing Sheets



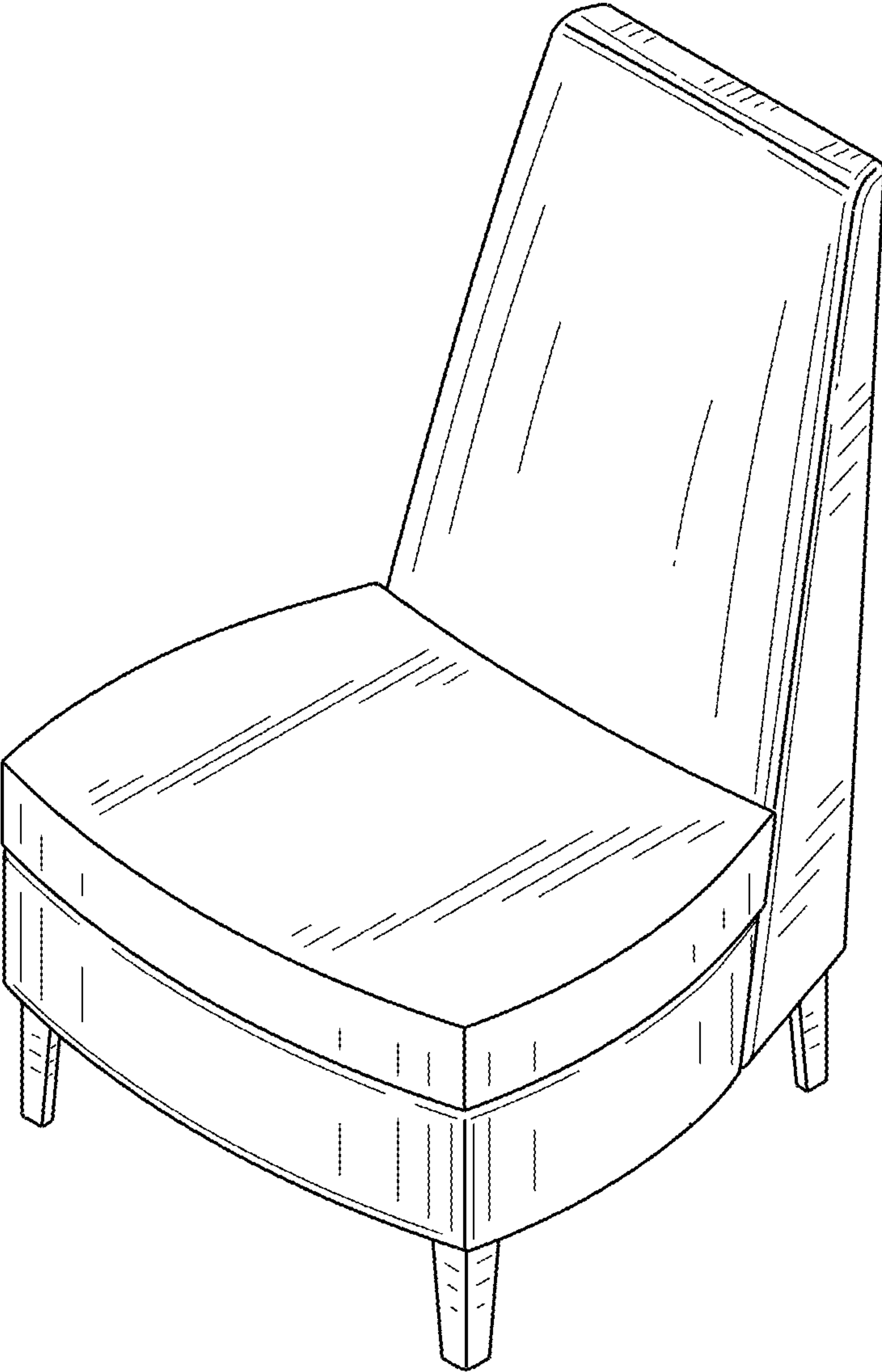


FIG. 1

FIG. 2

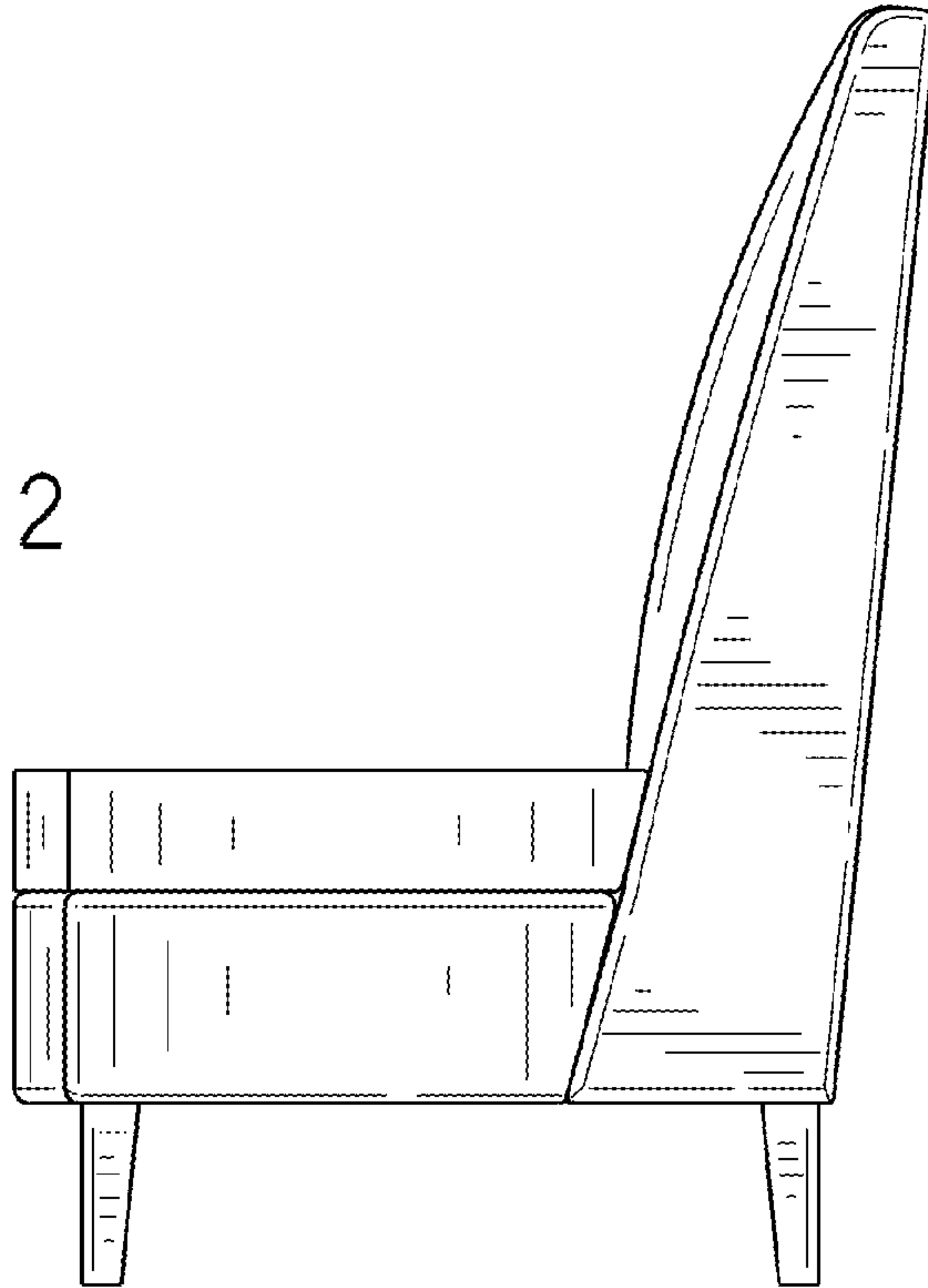


FIG. 3

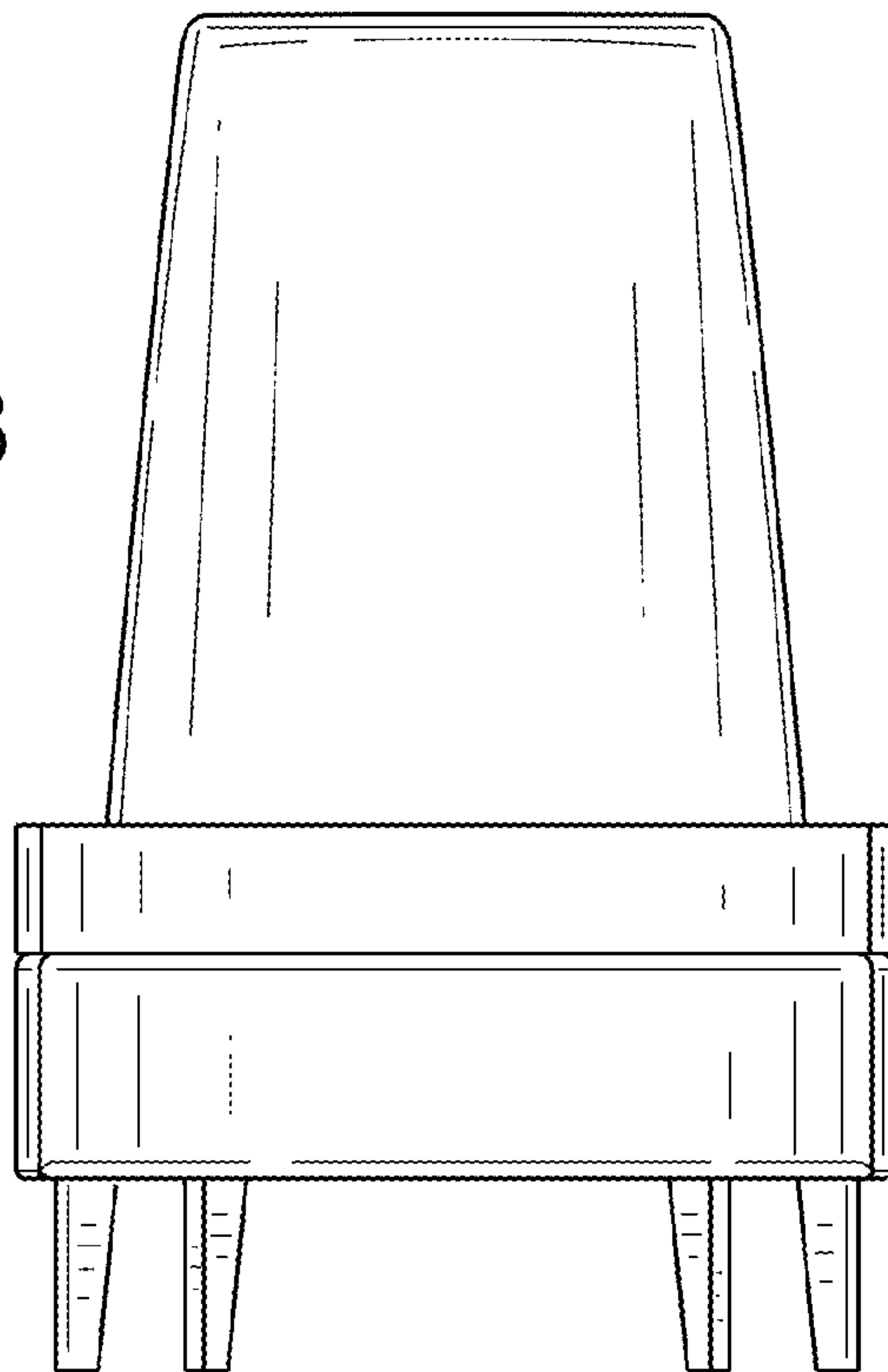


FIG. 4

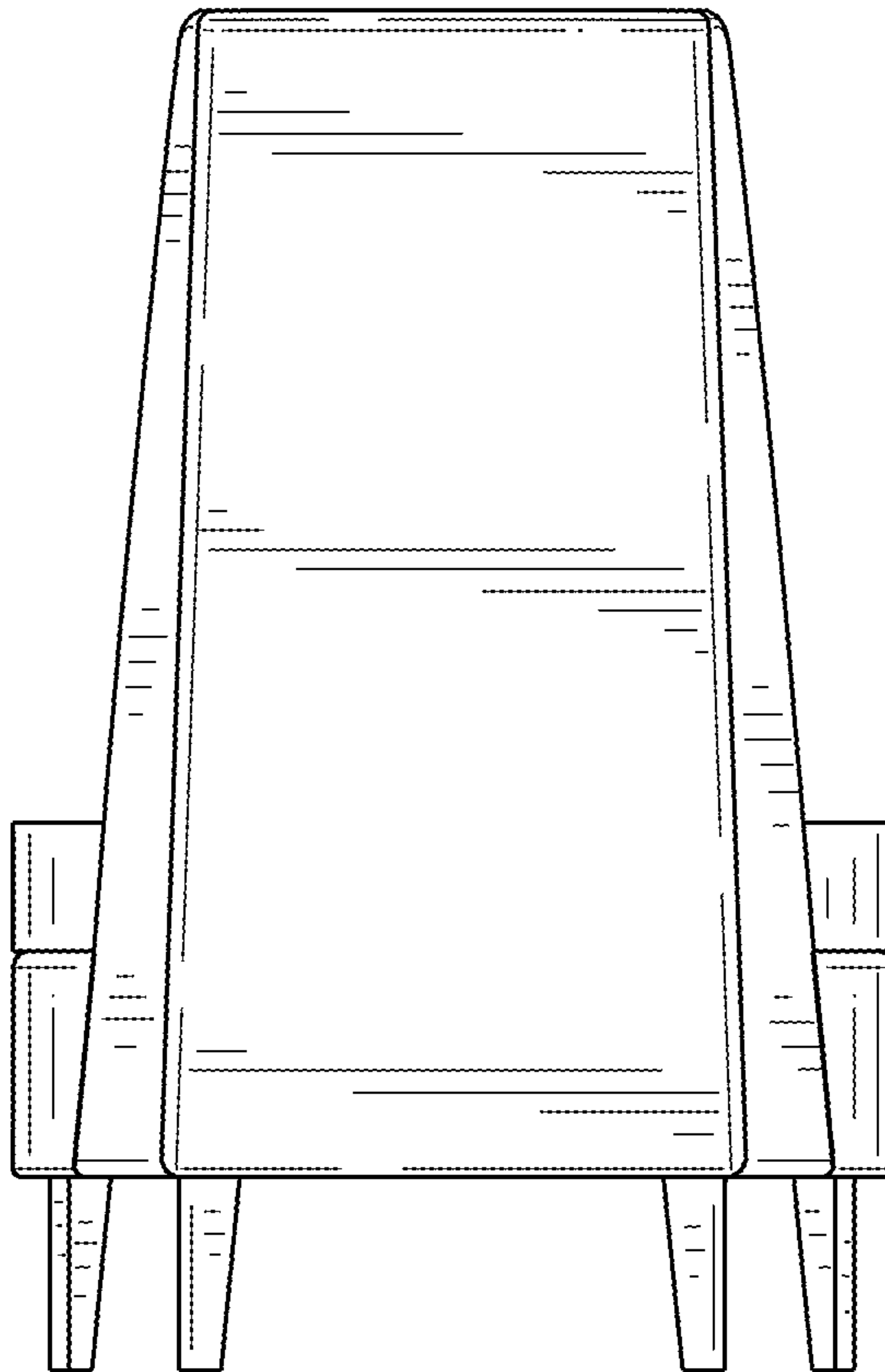


FIG. 5

