



US00D694030S

(12) **United States Design Patent**  
**Maddadi**

(10) **Patent No.:** **US D694,030 S**

(45) **Date of Patent:** **\*\* \*Nov. 26, 2013**

(54) **SEAT**

(71) Applicant: **Jangir Maddadi Design Bureau AB,**  
Kalmar (SE)

(72) Inventor: **Jangir Maddadi,** Kalmar (SE)

(73) Assignee: **Jangir Maddadi Design Bureau AB**  
(SE)

(\*) Notice: This patent is subject to a terminal disclaimer.

(\*\*) Term: **14 Years**

(21) Appl. No.: **29/445,373**

(22) Filed: **Feb. 11, 2013**

**Related U.S. Application Data**

(62) Division of application No. 29/391,262, filed on May 5, 2011, now Pat. No. Des. 683,144.

(30) **Foreign Application Priority Data**

Nov. 5, 2010	(EM)	001777491-0001
Nov. 5, 2010	(EM)	001777491-0002
Nov. 5, 2010	(EM)	001777491-0003
Nov. 5, 2010	(EM)	001777491-0004

(51) **LOC (9) Cl.** ..... **06-01**

(52) **U.S. Cl.**  
USPC ..... **D6/349**

(58) **Field of Classification Search**  
USPC ..... D6/334-336, 338, 340-342, 349-355,  
D6/360, 363-365, 367-373, 656, 716.1,  
D6/717, 717.29; 297/16.1, 135, 160-162,  
297/175, 187, 195.1, 423.1, 423.11, 423.14,  
297/423.16, 461, 462

See application file for complete search history.

(56) **References Cited**

U.S. PATENT DOCUMENTS

D255,959	S	*	7/1980	Mitchell	.....	D6/335
D279,059	S	*	6/1985	Tekel	.....	D6/482
D366,966	S	*	2/1996	Bonaddio et al.	.....	D6/335
D418,987	S	*	1/2000	Panton	.....	D6/335
D419,001	S	*	1/2000	Swensson et al.	.....	D6/486
D419,002	S	*	1/2000	Swensson et al.	.....	D6/486
D421,535	S	*	3/2000	Swensson et al.	.....	D6/486
D439,447	S	*	3/2001	Diekman	.....	D6/486
D456,153	S	*	4/2002	Rashid	.....	D6/336
D473,079	S	*	4/2003	Barry	.....	D6/486
D497,727	S	*	11/2004	Monsalve et al.	.....	D6/355
D497,745	S	*	11/2004	Lenger	.....	D6/486
D499,151	S	*	11/2004	Arabian	.....	D21/480
D501,332	S	*	2/2005	Bauchet	.....	D6/349
D509,289	S	*	9/2005	Palazzolo	.....	D23/309
D513,677	S	*	1/2006	Gehry	.....	D6/482
7,033,307	B2	*	4/2006	Van Straaten	.....	482/142
D550,974	S	*	9/2007	Thornbury	.....	D6/361
D581,177	S	*	11/2008	Auberger et al.	.....	D6/349
D605,431	S	*	12/2009	Gharabegian	.....	D6/480
D610,359	S	*	2/2010	Young-il et al.	.....	D6/355

(Continued)

*Primary Examiner* — Susan Bennett Hattan

*Assistant Examiner* — Vy Koenig

(74) *Attorney, Agent, or Firm* — Fox Rothschild LLP

(57) **CLAIM**

The ornamental design for a seat, as shown and described.

**DESCRIPTION**

FIG. 1 is a front perspective view of a seat in accordance with a preferred embodiment of my new design;

FIG. 2 is a top plan view thereof;

FIG. 3 is a bottom plan view thereof;

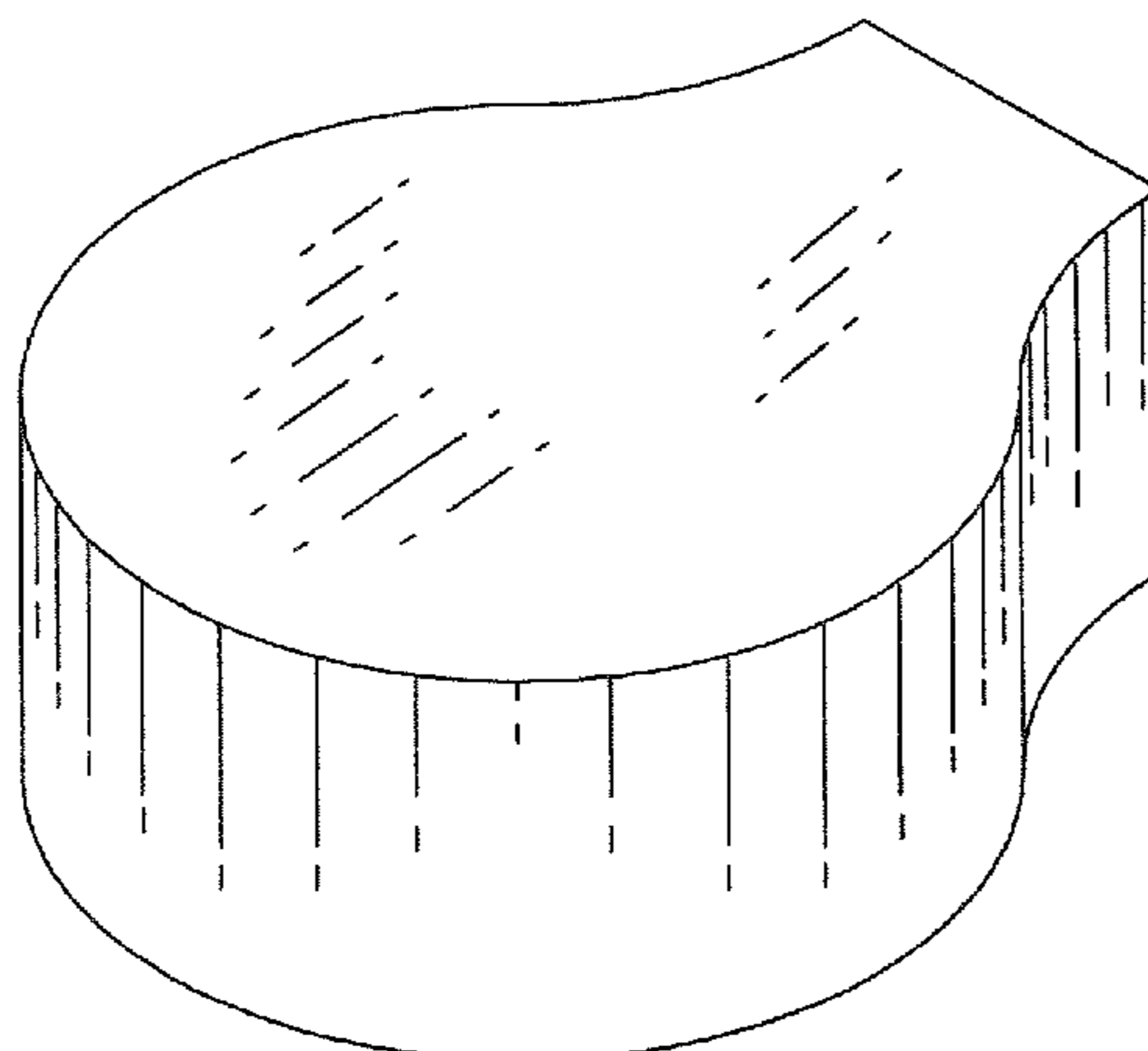
FIG. 4 is a rear elevational view thereof;

FIG. 5 is a front elevational view thereof;

FIG. 6 is a right side elevational view thereof; and,

FIG. 7 is a left side elevational view thereof.

**1 Claim, 7 Drawing Sheets**



**US D694,030 S**

Page 2

---

(56)

**References Cited**

U.S. PATENT DOCUMENTS

D643,638 S *	8/2011	Wechselbaumer .....	D6/361
D644,034 S *	8/2011	Wechselbaumer .....	D6/361
8,167,777 B2 *	5/2012	Nichols .....	482/23
D625,678 S *	10/2010	Heinz .....	D12/217

\* cited by examiner

Fig. 1

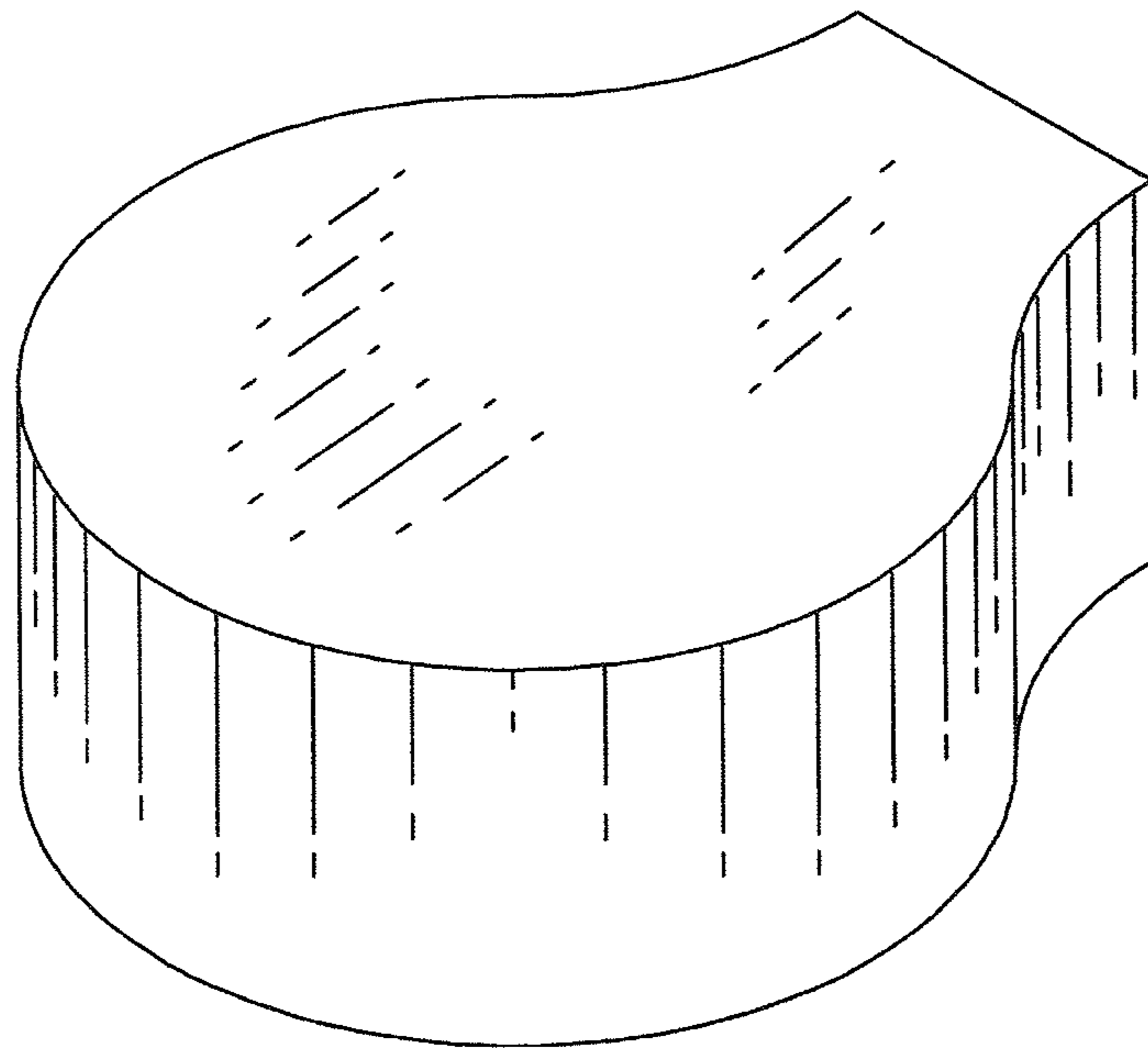


Fig. 2

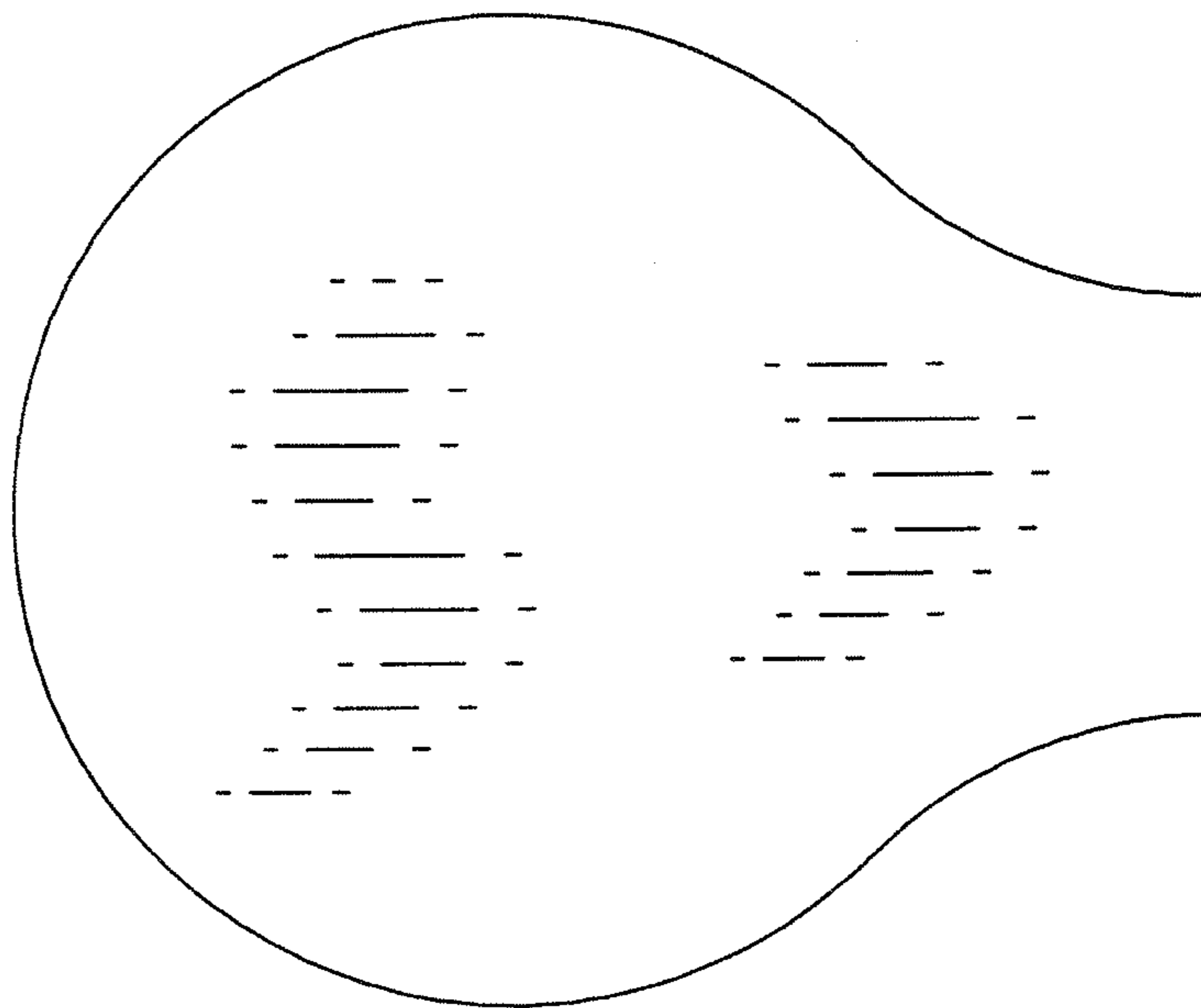


Fig. 3

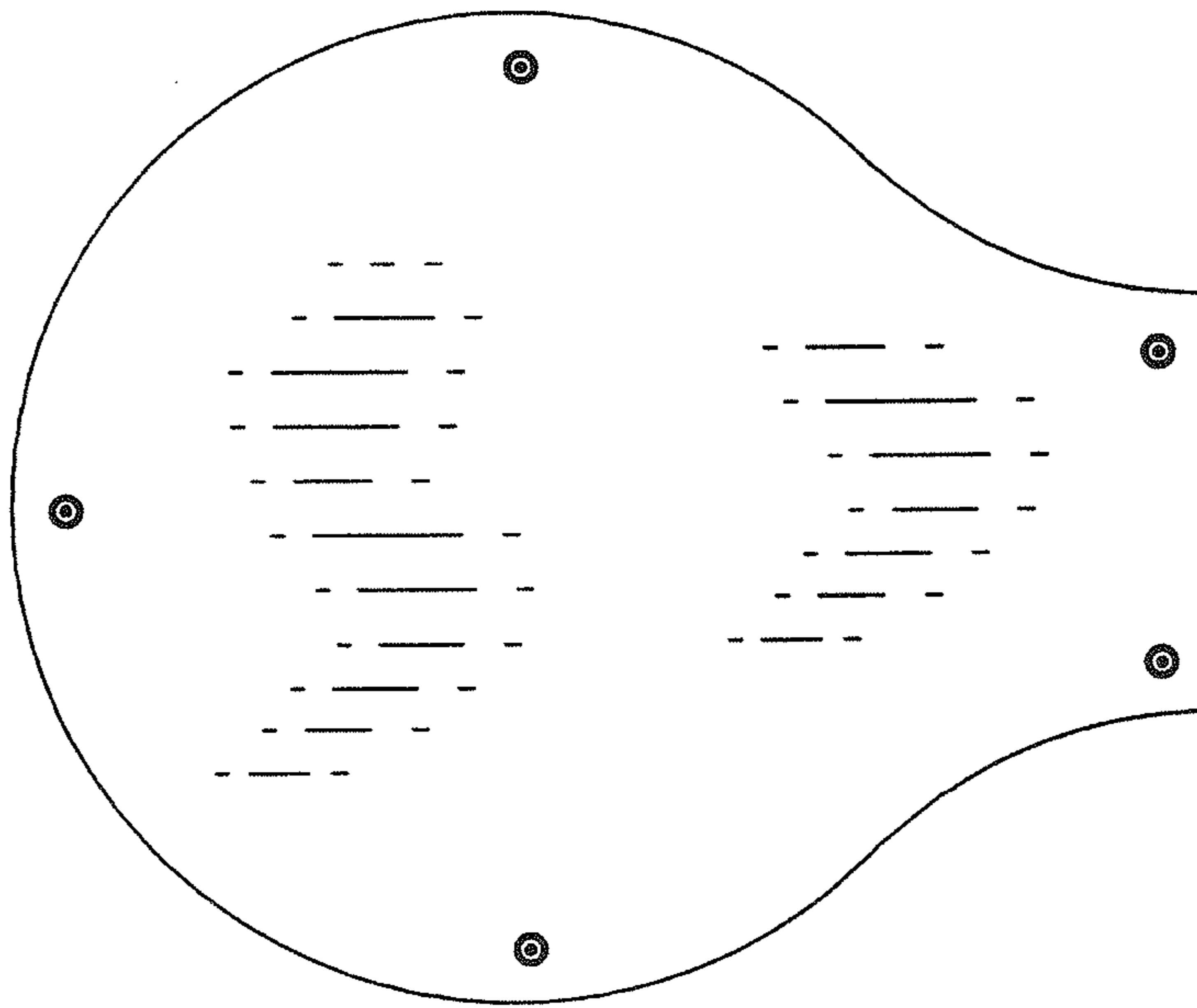


Fig. 4

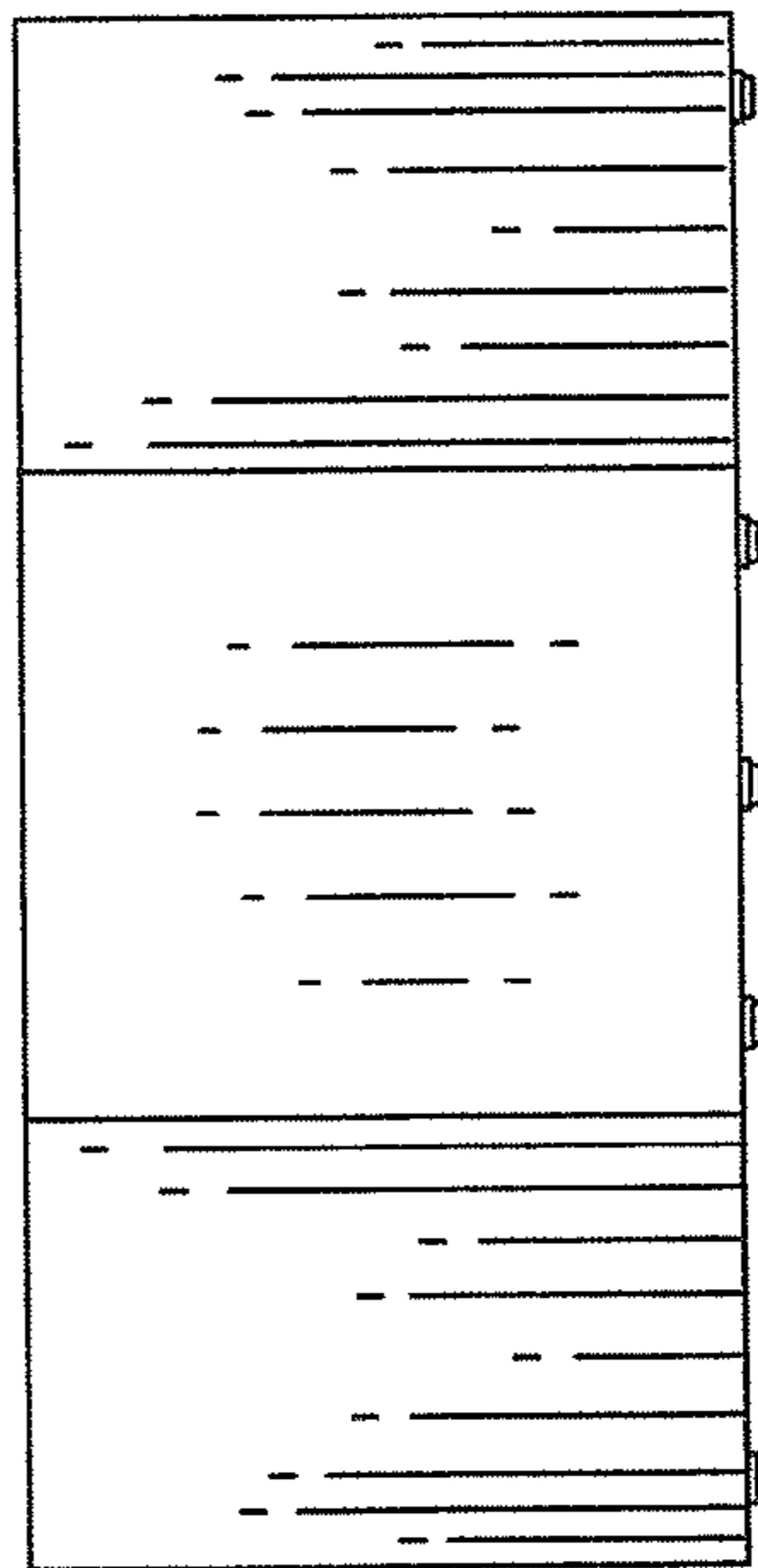


Fig. 5

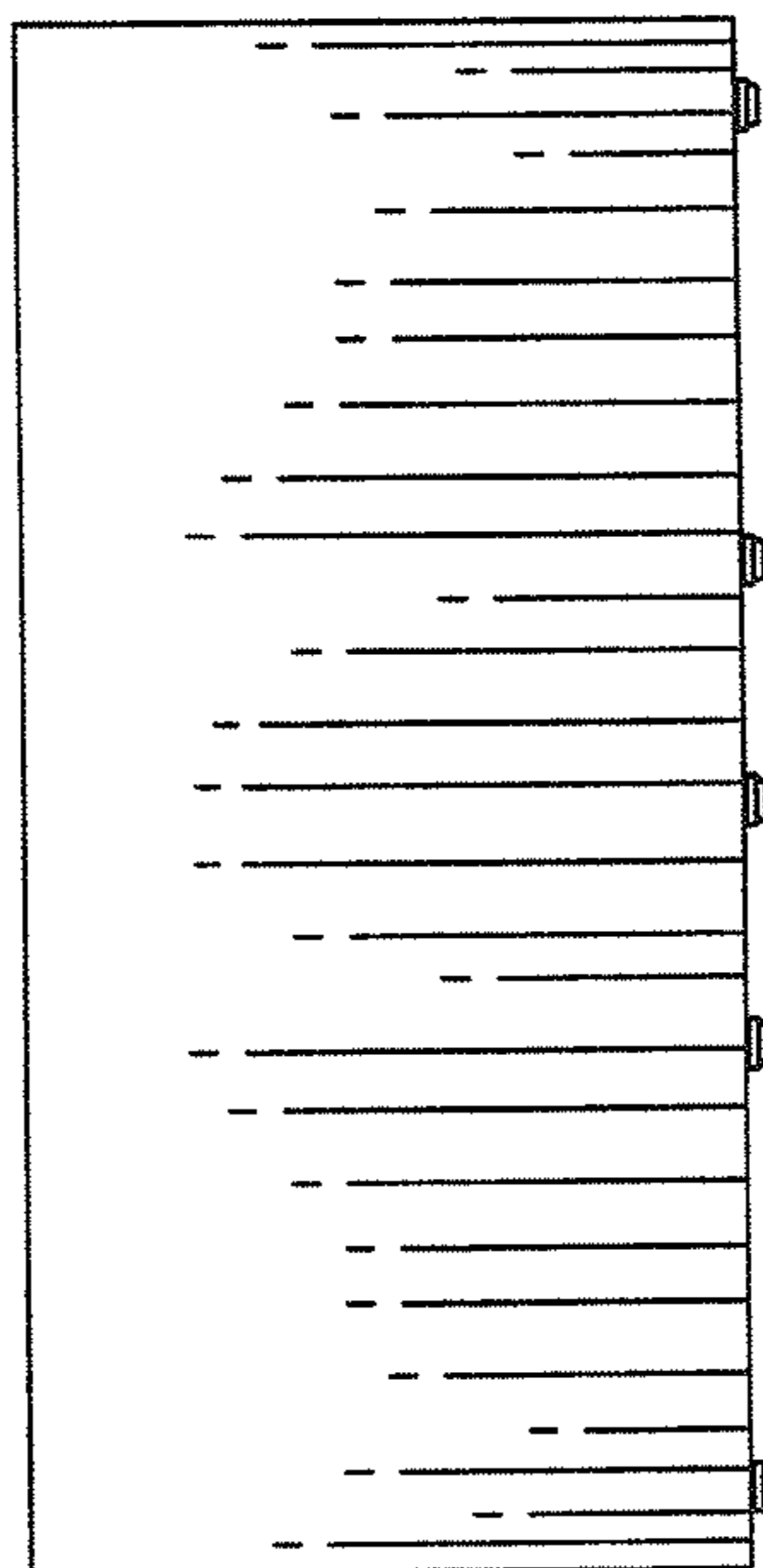


Fig. 6

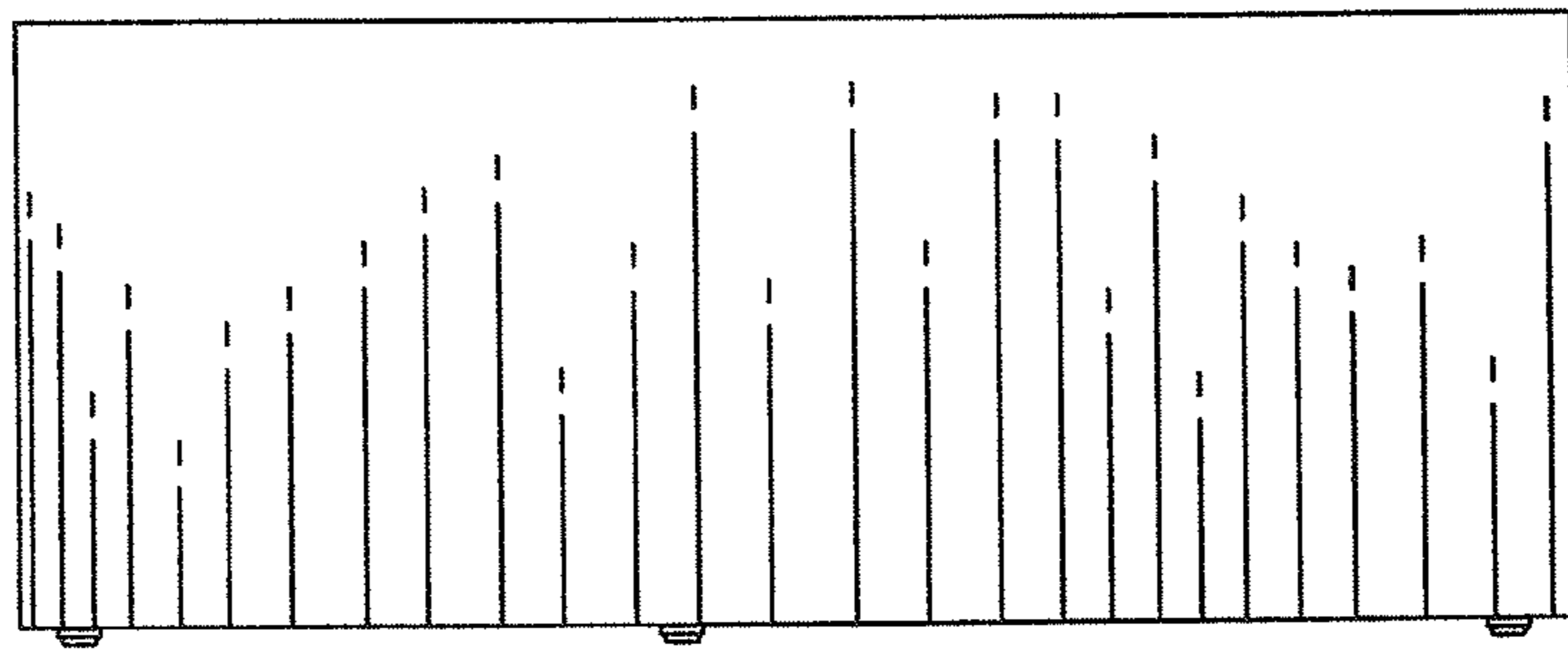




Fig. 7

