



US00D694029S

(12) **United States Design Patent**
Yeh

(10) **Patent No.:** **US D694,029 S**

(45) **Date of Patent:** **** Nov. 26, 2013**

(54) **BABY DINING CHAIR**

(71) Applicant: **Kuan Yi Yeh**, Tainan (TW)

(72) Inventor: **Kuan Yi Yeh**, Tainan (TW)

(**) Term: **14 Years**

(21) Appl. No.: **29/450,690**

(22) Filed: **Mar. 21, 2013**

(30) **Foreign Application Priority Data**

Jan. 17, 2013 (CN) 2013 3 0012830

(51) **LOC (9) Cl.** **06-01**

(52) **U.S. Cl.**
USPC **D6/339**

(58) **Field of Classification Search**
USPC D6/333-335, 339, 702, 716, 716.1,
D6/716.2, 716.4, 716.7; D21/412, 419;
280/30-31; 5/655, 94, 98.1, 99.1, 101,
5/102, 105; 297/183.1-183.4, 184.13,
297/184.15, 184.17, 250.1, 256.15, 256.16
See application file for complete search history.

(56) **References Cited**

U.S. PATENT DOCUMENTS

D365,936 S * 1/1996 Haut et al. D6/339

D432,798 S * 10/2000 Boney D6/339
D478,219 S * 8/2003 Greger D6/339
D603,175 S * 11/2009 Jacobs et al. D6/339
D619,818 S * 7/2010 Bergkvist D6/339
D641,180 S * 7/2011 Kennedy et al. D6/339
D646,495 S * 10/2011 Shaw D6/339
D650,598 S * 12/2011 Kennedy et al. D6/339
D671,755 S * 12/2012 Stolarz et al. D6/339
D683,143 S * 5/2013 Gold et al. D6/339

* cited by examiner

Primary Examiner — Caron D Veynar

Assistant Examiner — Abraham Bahta

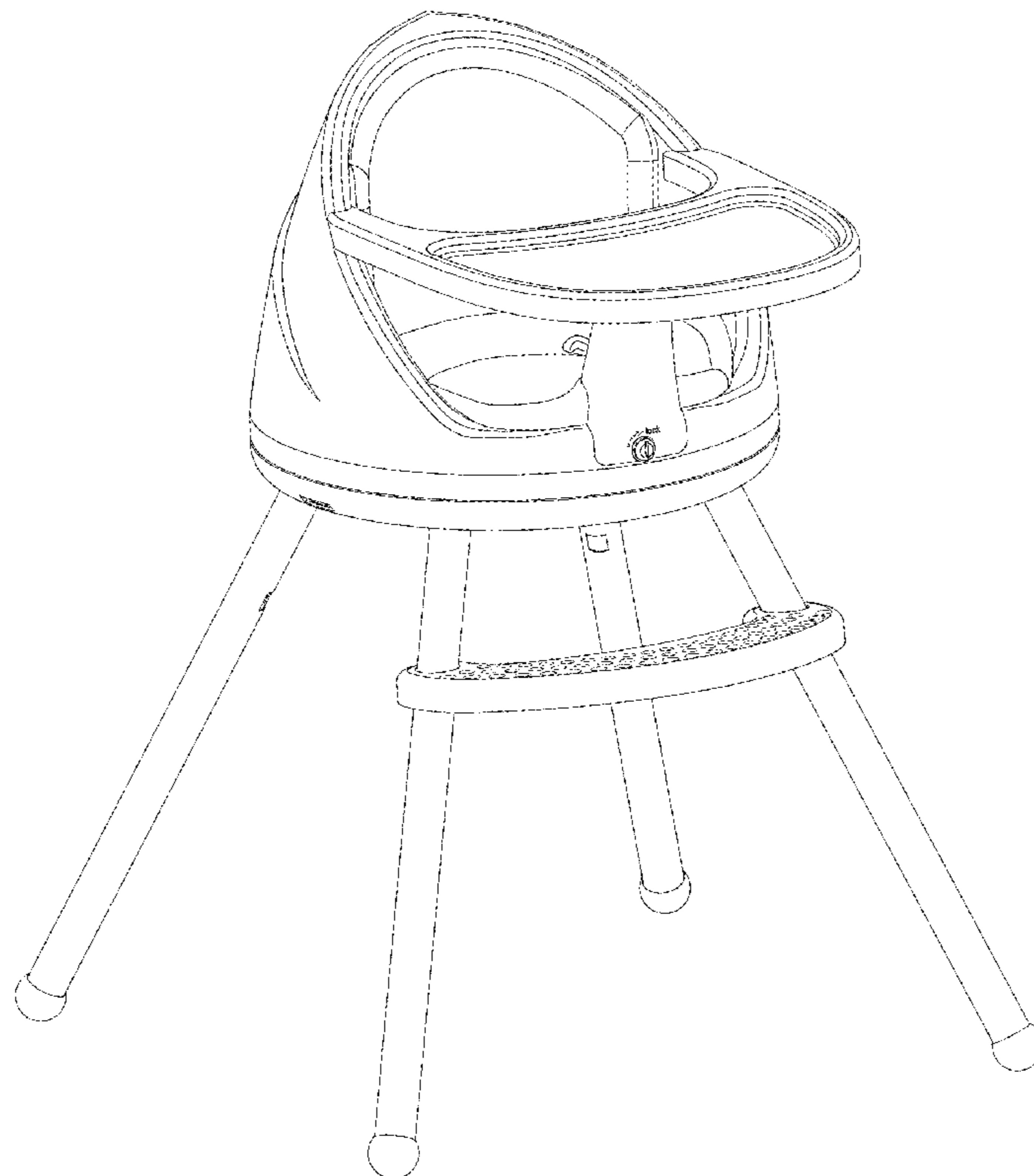
(57) **CLAIM**

The ornamental design for a baby dining chair, as shown and described.

DESCRIPTION

FIG. 1 is a perspective view of the baby dining chair showing my new design;
FIG. 2 is a front elevational view thereof;
FIG. 3 is a rear elevational view thereof;
FIG. 4 is a left side elevational view thereof;
FIG. 5 is a right side elevational view thereof;
FIG. 6 is a top plan view thereof; and,
FIG. 7 is a bottom plan view thereof.

1 Claim, 7 Drawing Sheets



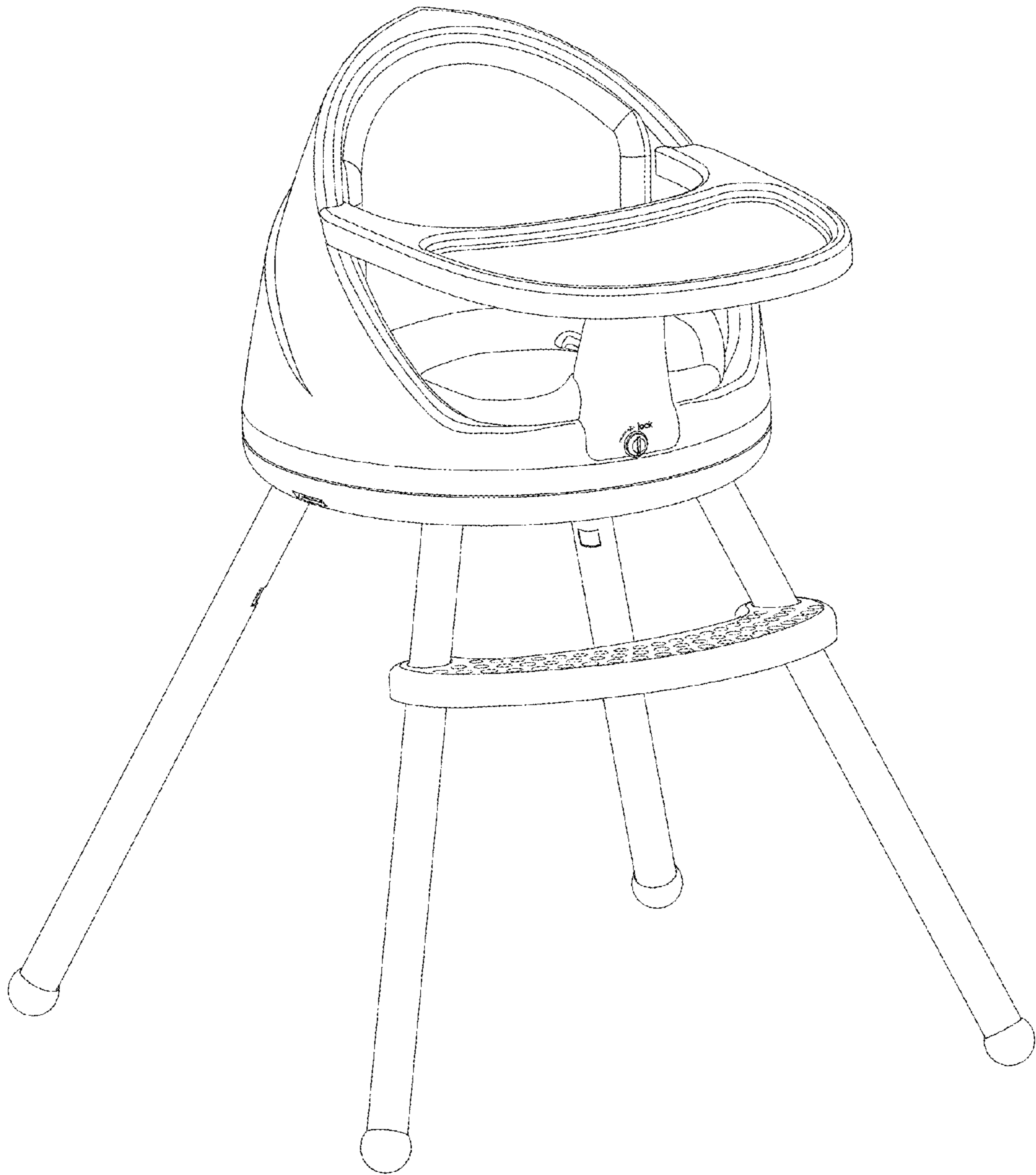


FIG. 1

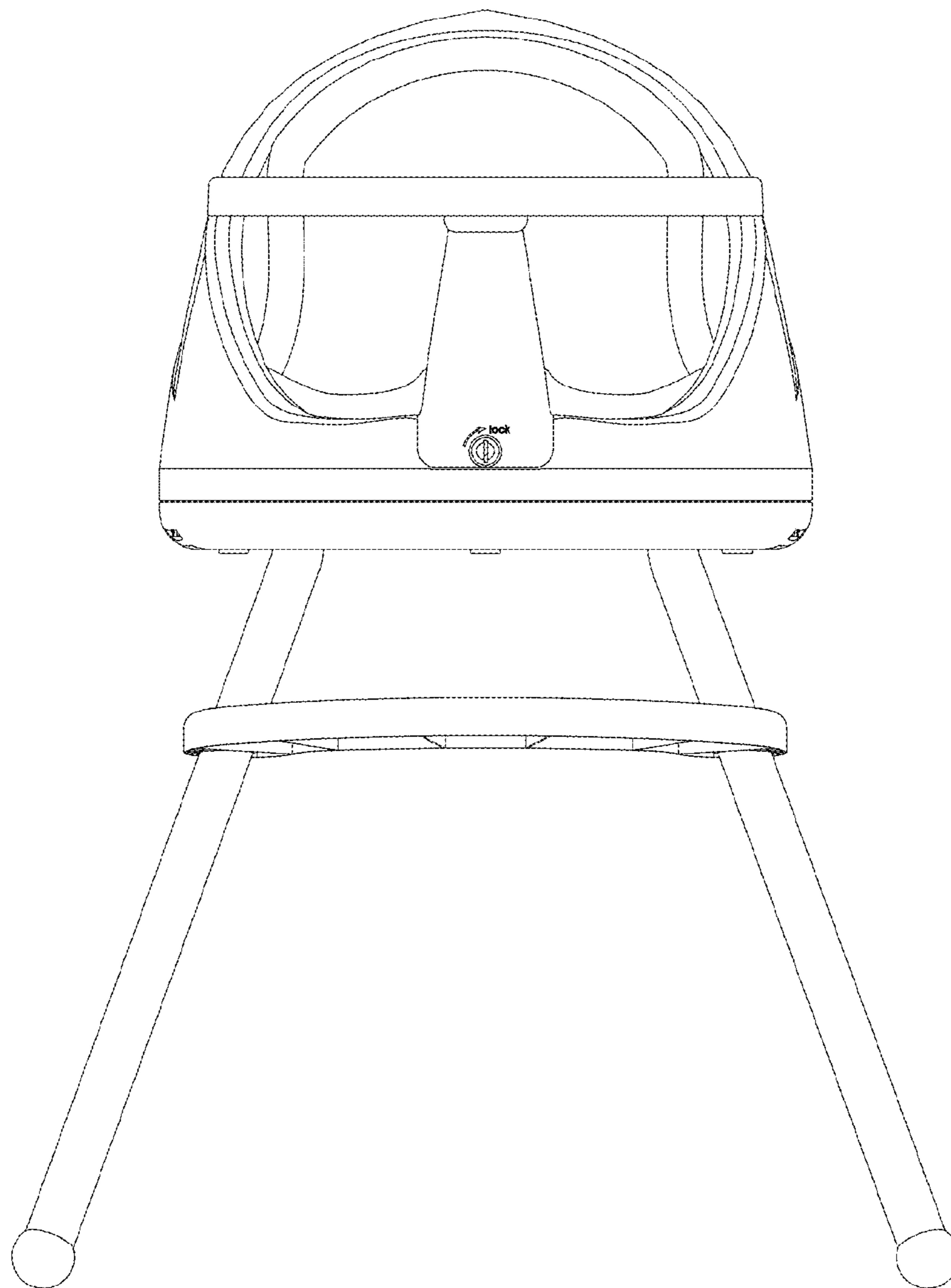


FIG. 2

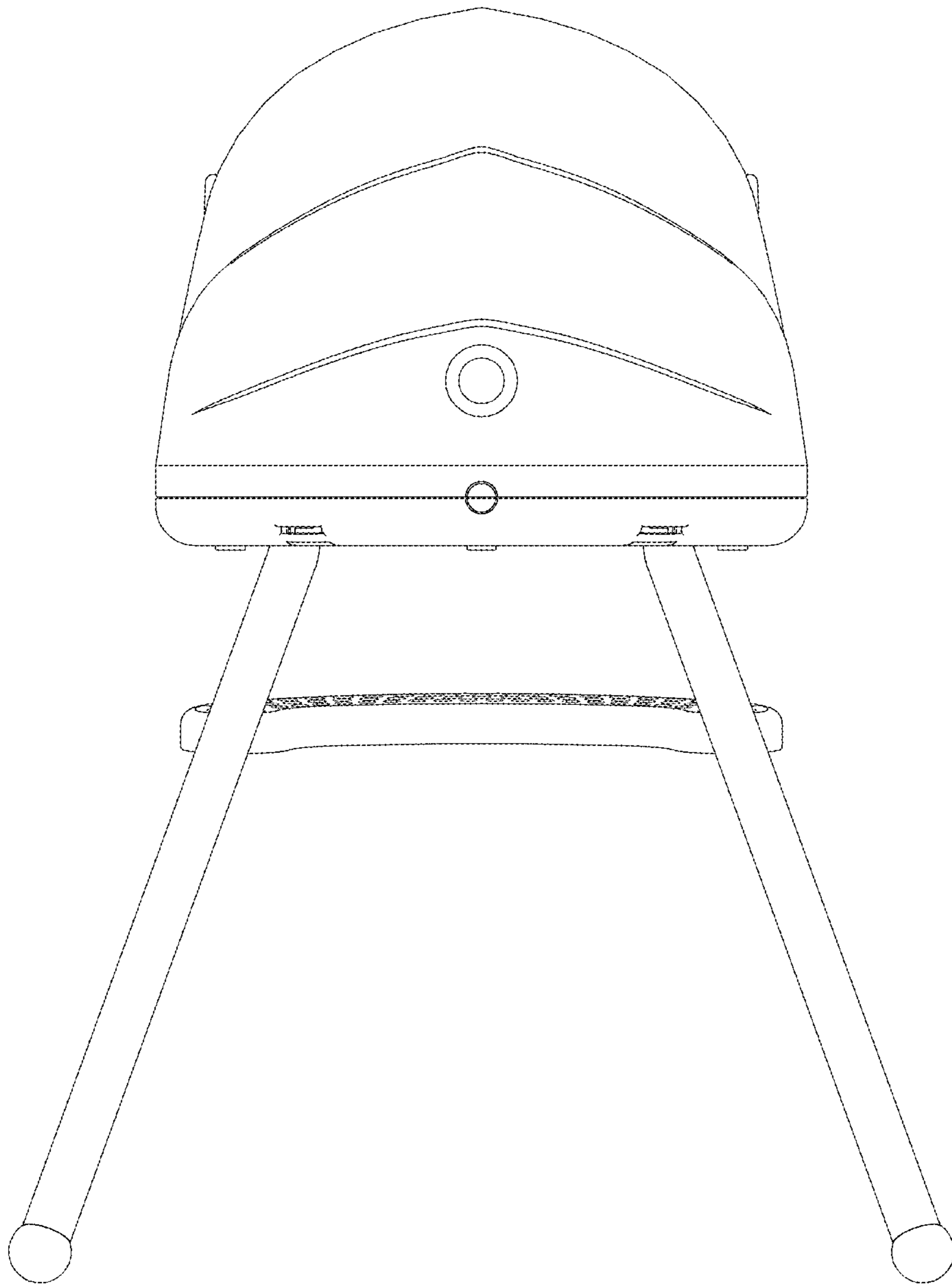


FIG. 3

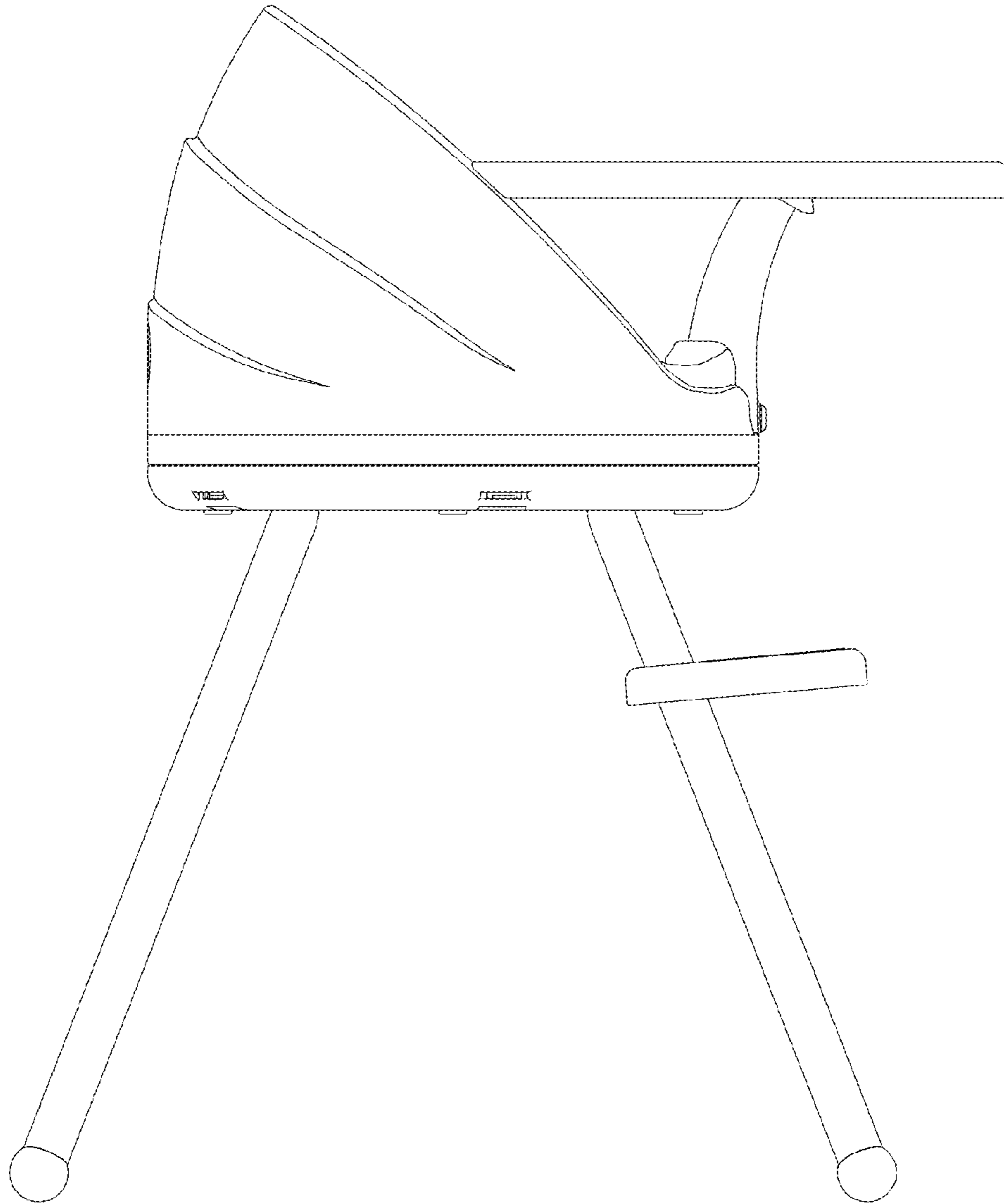


FIG. 4

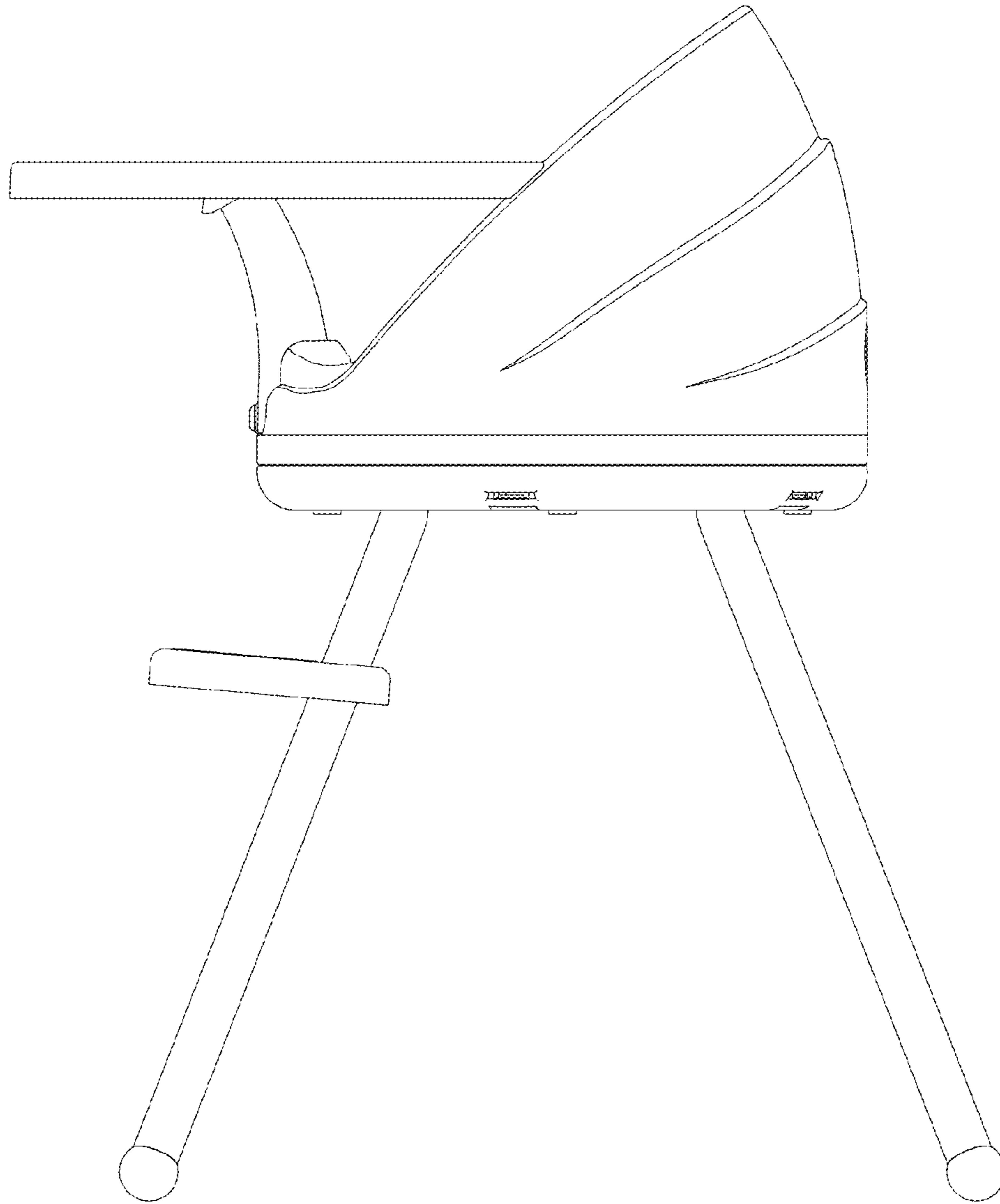


FIG. 5

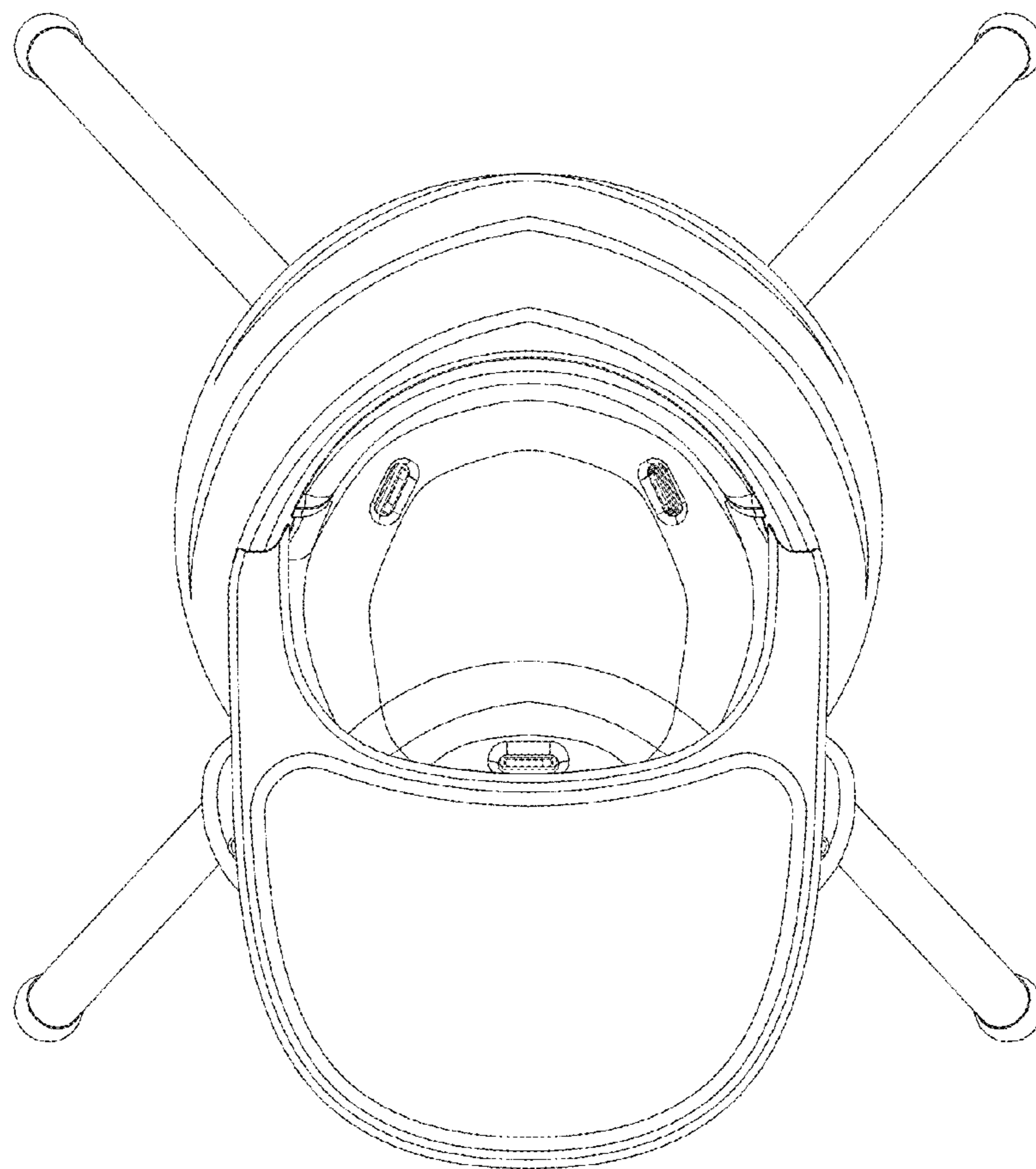


FIG. 6

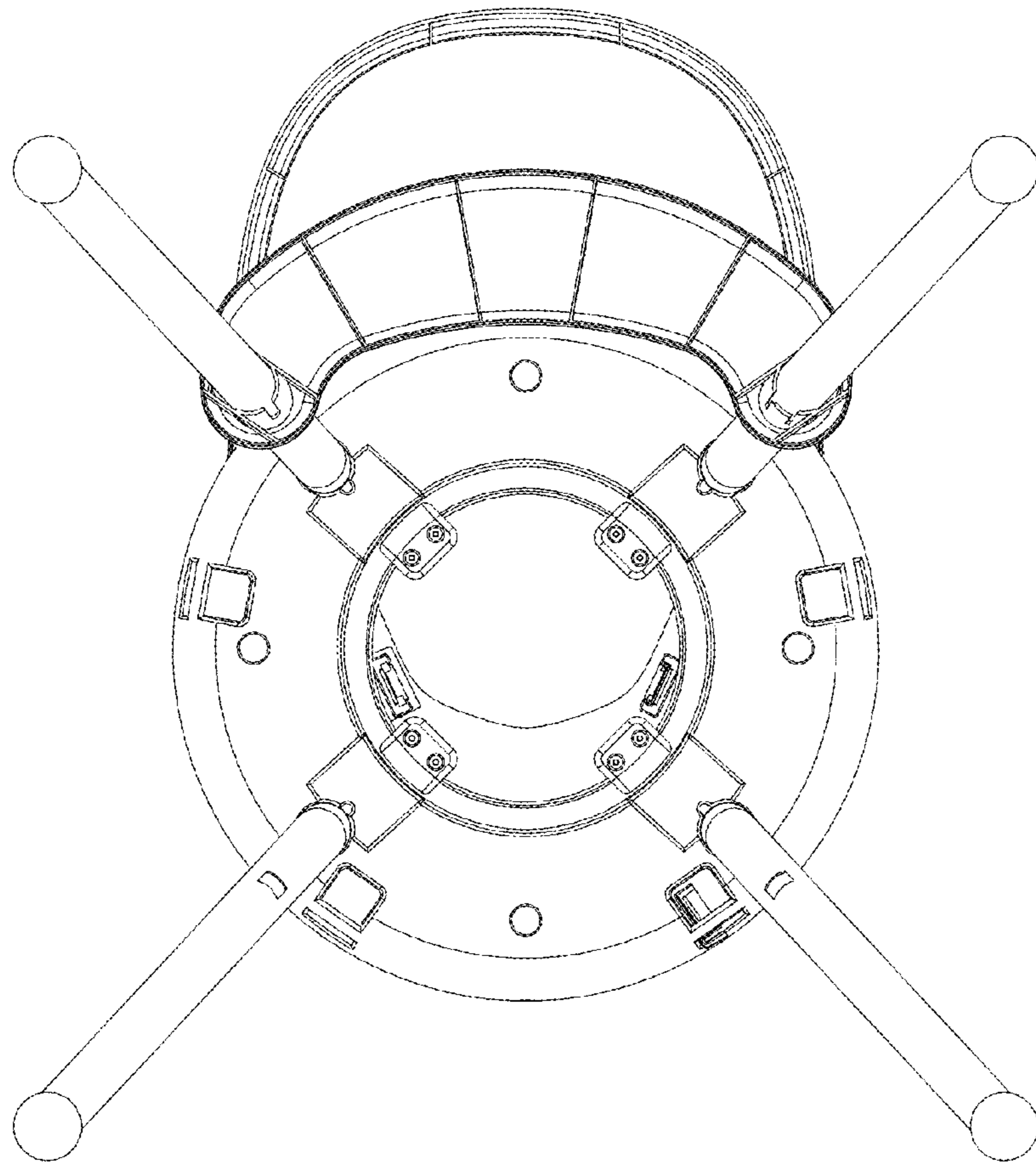


FIG. 7