



US00D694028S

(12) **United States Design Patent**
Hall

(10) **Patent No.:** **US D694,028 S**

(45) **Date of Patent:** **** Nov. 26, 2013**

(54) **MULTIPURPOSE TABLE**

(71) Applicant: **Joseph D. Hall**, Kill Devil Hills, NC
(US)

(72) Inventor: **Joseph D. Hall**, Kill Devil Hills, NC
(US)

(**) Term: **14 Years**

(21) Appl. No.: **29/458,444**

(22) Filed: **Jun. 19, 2013**

(51) **LOC (9) Cl.** **06-01**

(52) **U.S. Cl.**
USPC **D6/338**

(58) **Field of Classification Search**
USPC D6/335, 336, 337, 338, 339, 349, 350,
D6/351, 352, 353, 357; 291/118, 119, 134,
291/135, 158.2, 158.3, 158.5, 170, 174 R;
5/12.1, 12.2

See application file for complete search history.

(56) **References Cited**

U.S. PATENT DOCUMENTS

D96,841 S *	9/1935	Kelley	D6/337
D156,368 S *	12/1949	Murtaugh	D28/75
D158,921 S *	6/1950	McEwynn	D6/337
D182,822 S *	5/1958	Kempurer	D6/337
D194,469 S *	1/1963	Goodman	D6/337
D211,796 S	7/1968	Conklin		
D279,433 S	7/1985	Fuchs		
D282,608 S	2/1986	Crowe		
D323,074 S *	1/1992	Michel	D6/337
D360,536 S	7/1995	Pelletier		
D367,184 S *	2/1996	Tolefson	D6/337
D379,874 S *	6/1997	Stirling et al.	D6/338
D409,008 S	5/1999	Lunn		
D416,693 S	11/1999	Kovalchek		
D456,622 S *	5/2002	Moquin	D6/337
D497,263 S	10/2004	Darling		
D547,974 S *	8/2007	Daniel	D6/480
7,370,909 B2 *	5/2008	Gevaert	297/142
D573,360 S	7/2008	Bue et al.		
D597,752 S *	8/2009	Hernandez et al.	D6/336
D618,000 S *	6/2010	Hernandez et al.	D6/336

* cited by examiner

Primary Examiner — Sandra Snapp

(74) Attorney, Agent, or Firm — Jeffrey W. Childers

(57) **CLAIM**

The ornamental design for a multipurpose table, as shown and described.

DESCRIPTION

FIG. 1 illustrates a perspective view of the multipurpose table in the “table mode” configuration and with the drop leaves open;

FIG. 2 illustrates an end view of the multipurpose table in the “table mode” configuration and with the drop leaves open, the opposite end view not shown and being a mirror image;

FIG. 3 illustrates a right side view of the multipurpose table in the “table mode” configuration and with the drop leaves open, the left side view not shown and being a mirror image;

FIG. 4 illustrates a top down view of the multipurpose table in the “table mode” configuration and with the drop leaves open;

FIG. 5 illustrates a perspective view of the multipurpose table in the “table mode” configuration and with the drop leaves closed;

FIG. 6 illustrates a perspective view of the multipurpose table in the “bar mode” configuration and with the drop leaves closed;

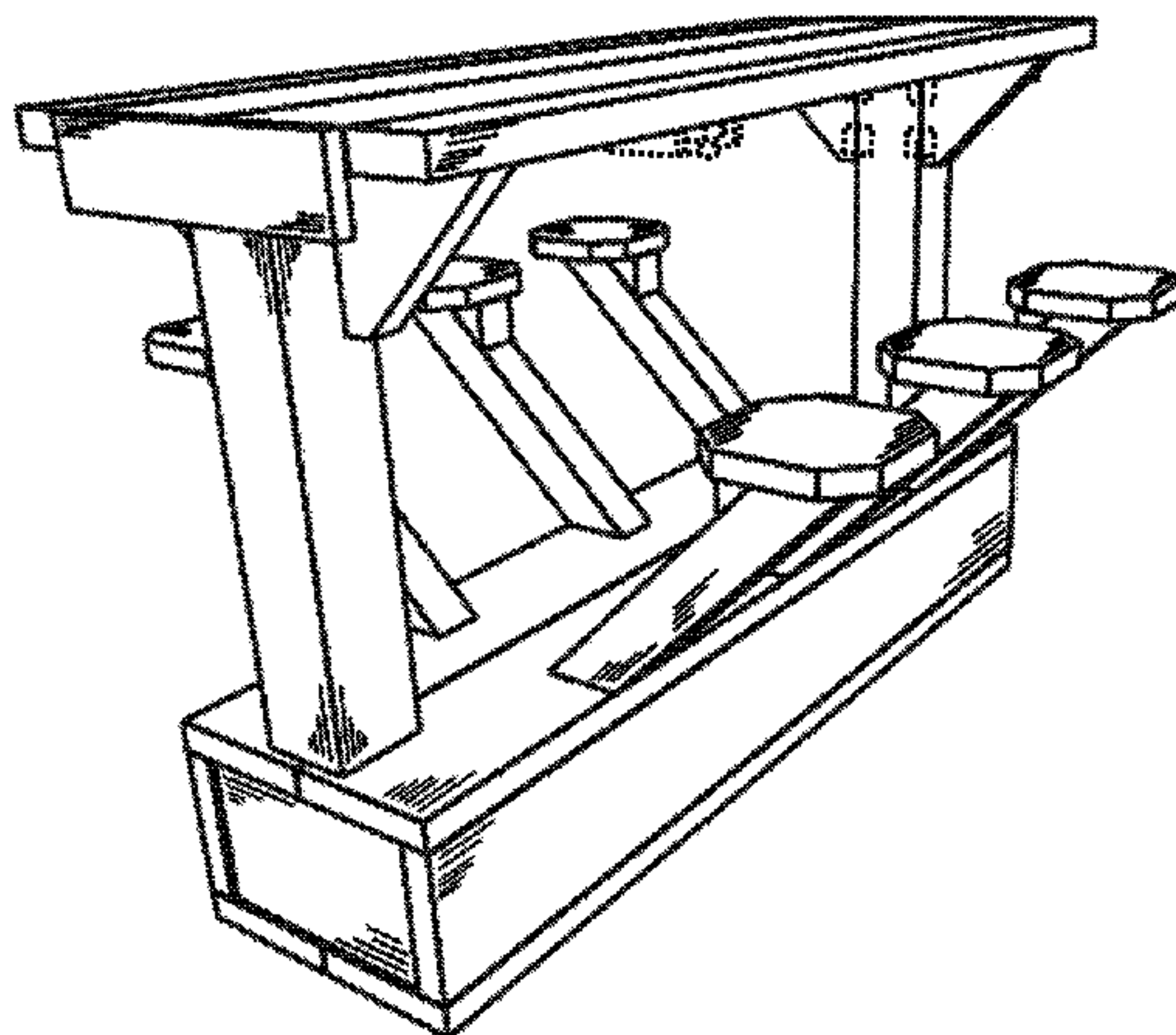
FIG. 7 illustrates an end view of the multipurpose table in the “bar mode” configuration and with the drop leaves closed the opposite end view not shown and being a mirror image;

FIG. 8 illustrates a right side view of the multipurpose table in the “bar mode” configuration and with the drop leaves closed the left side view not shown and being a mirror image; and,

FIG. 9 illustrates a top down view of the multipurpose table in the “bar mode” configuration and with the drop leaves closed.

The broken lines shown in the drawings are for illustrative purposes only and form no part of the claimed design.

1 Claim, 9 Drawing Sheets



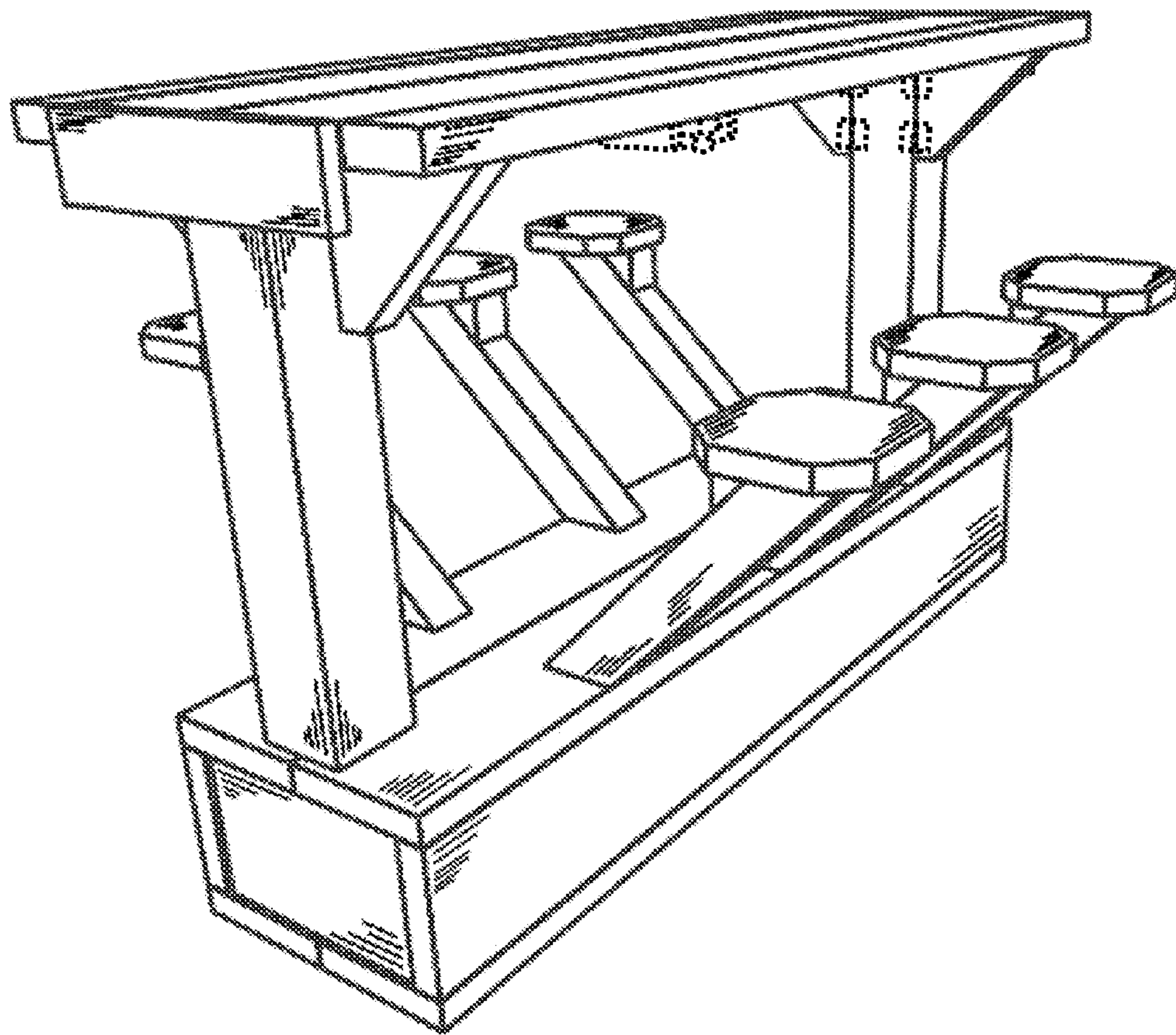


FIG. 1

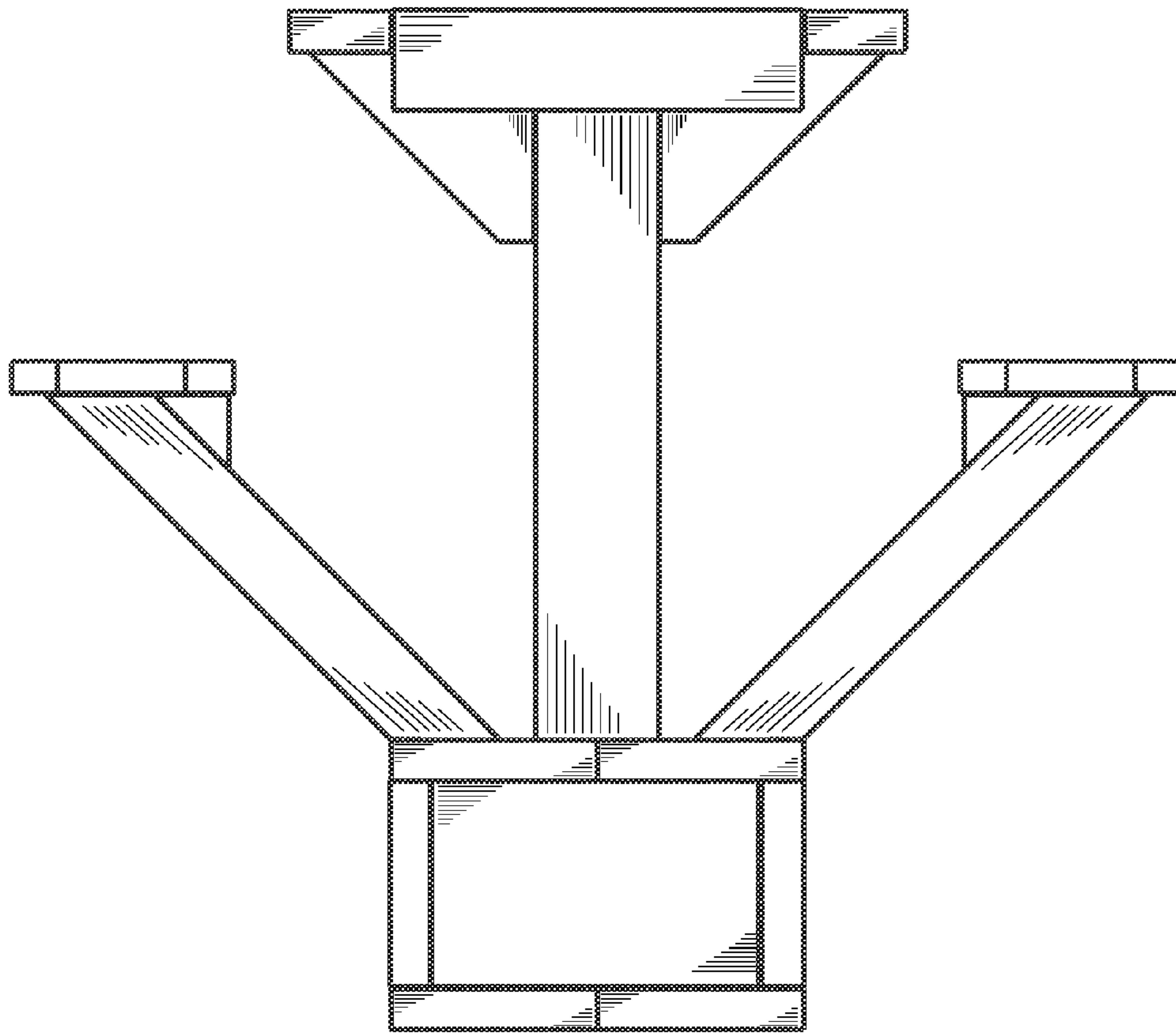


FIG. 2

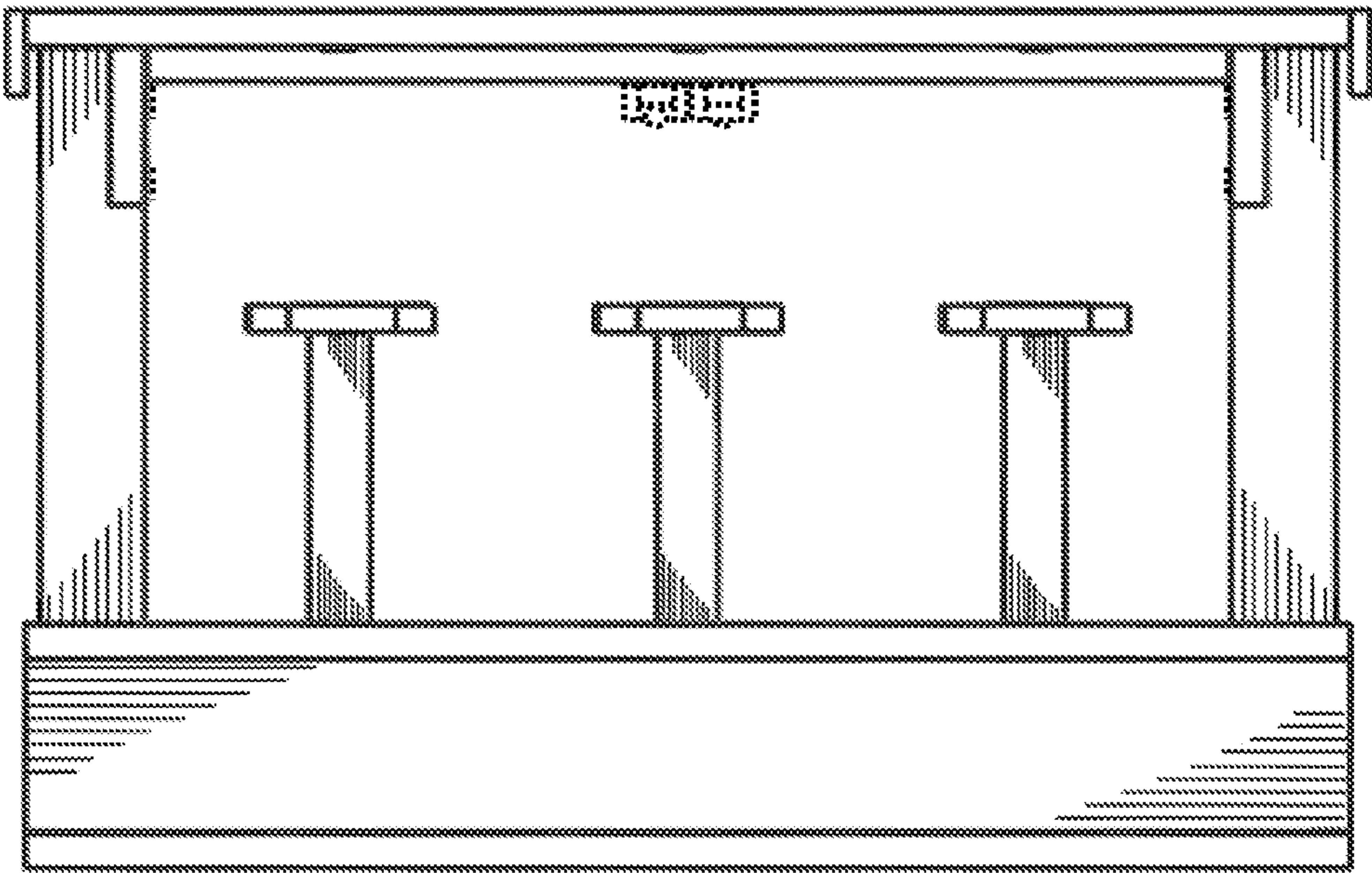


FIG. 3

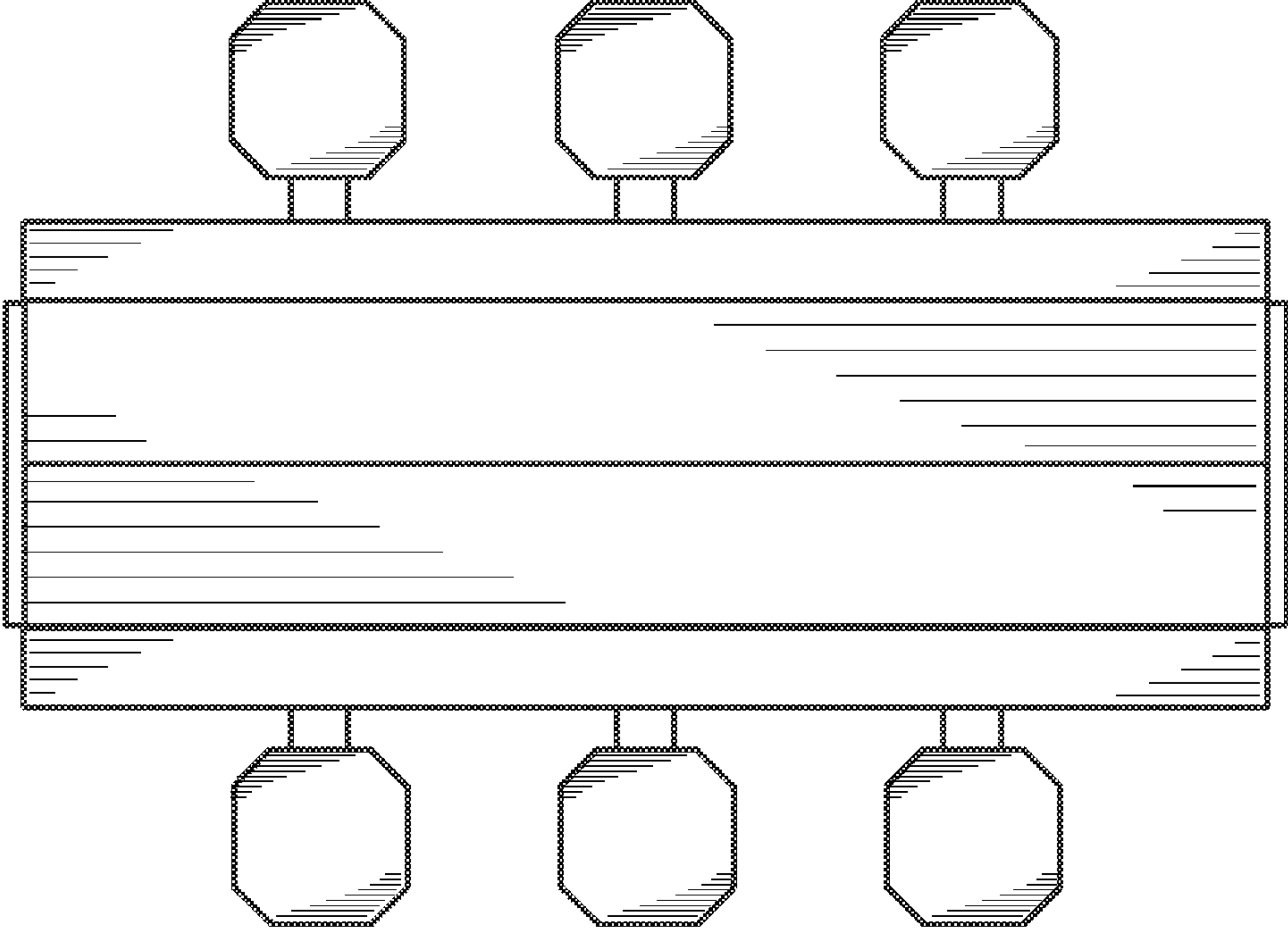


FIG. 4

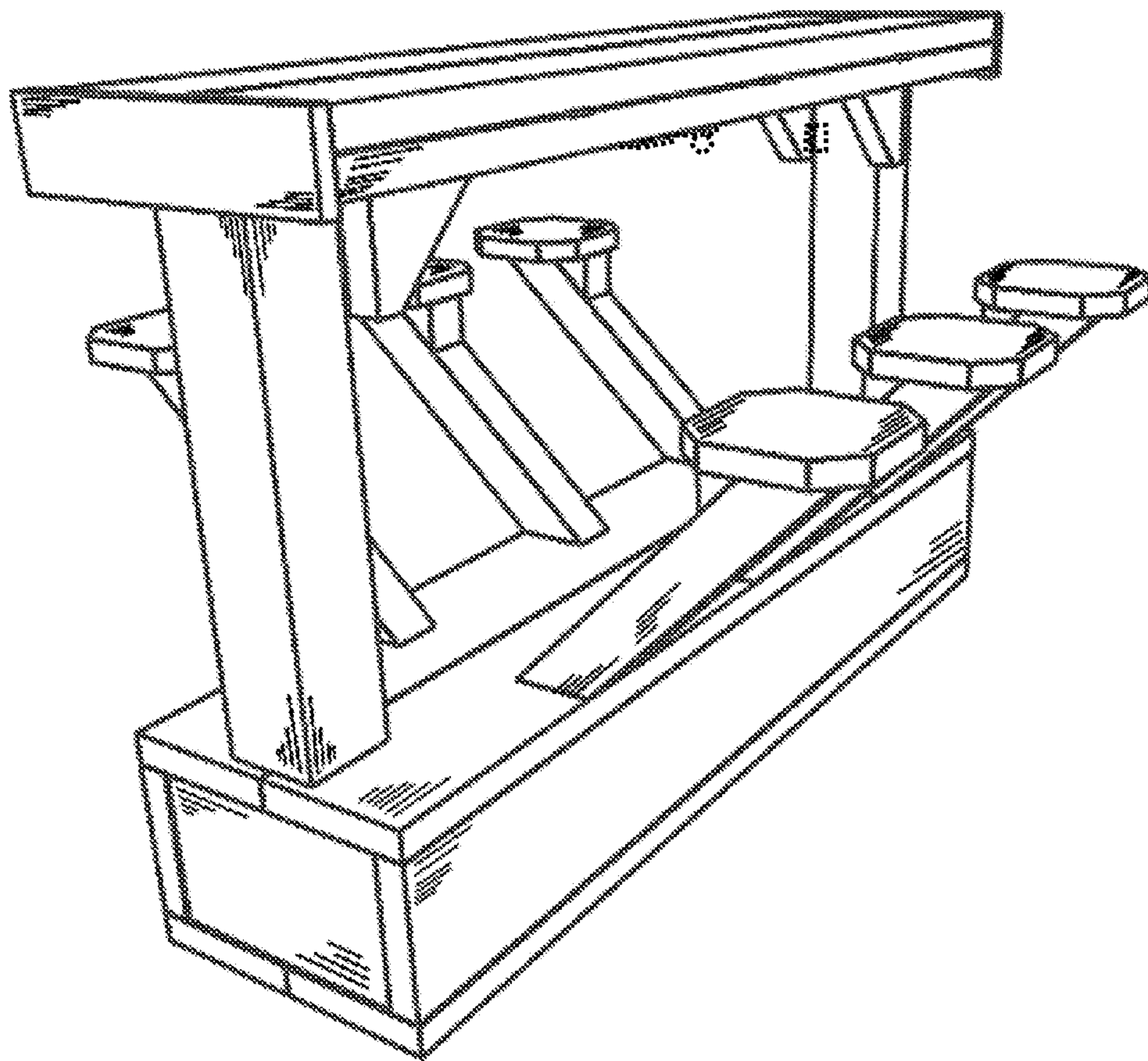


FIG. 5

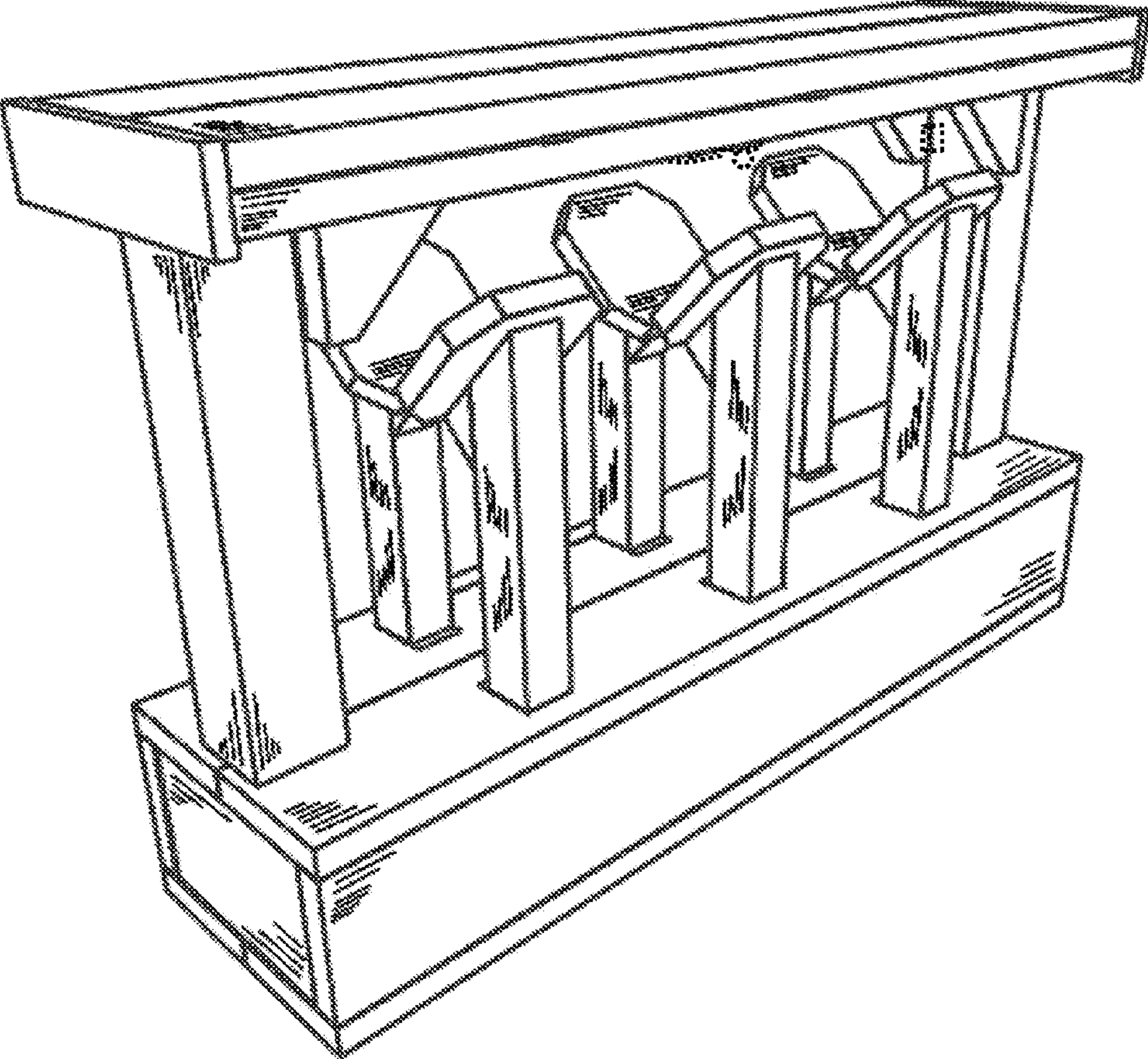


FIG. 6

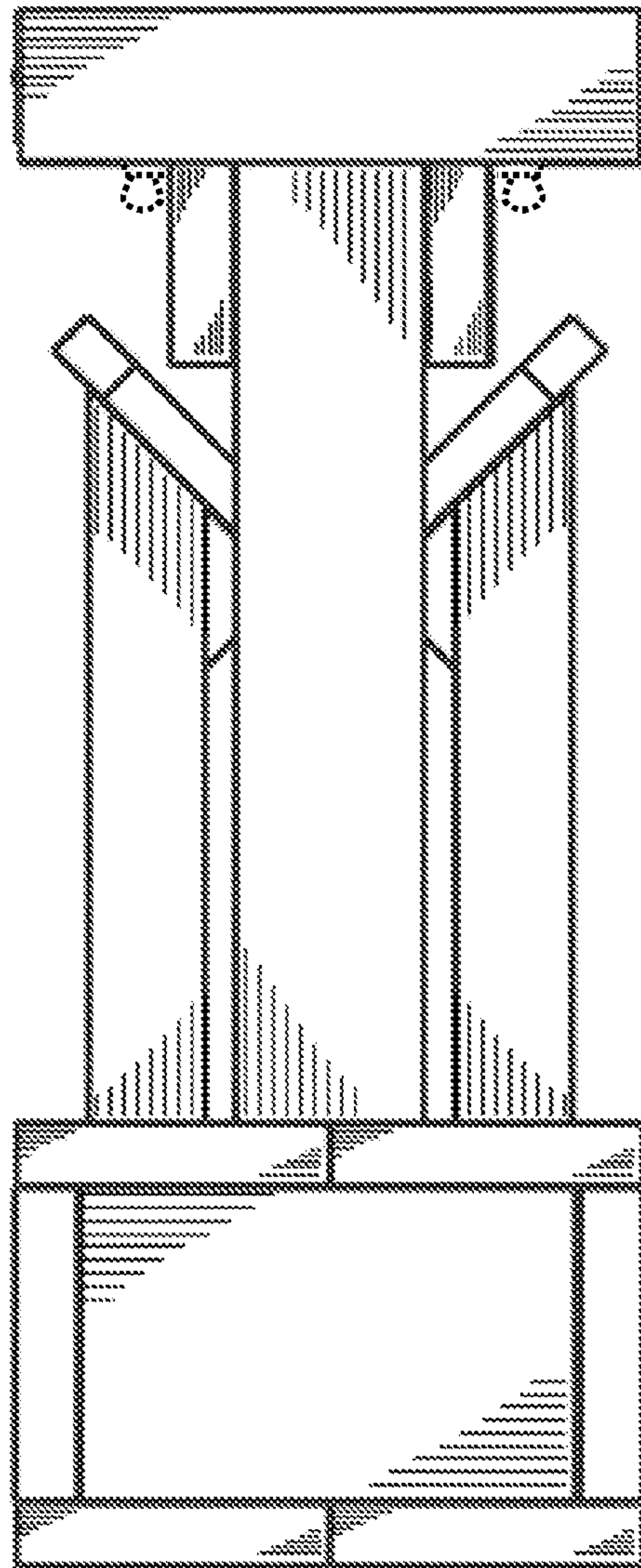


FIG. 7

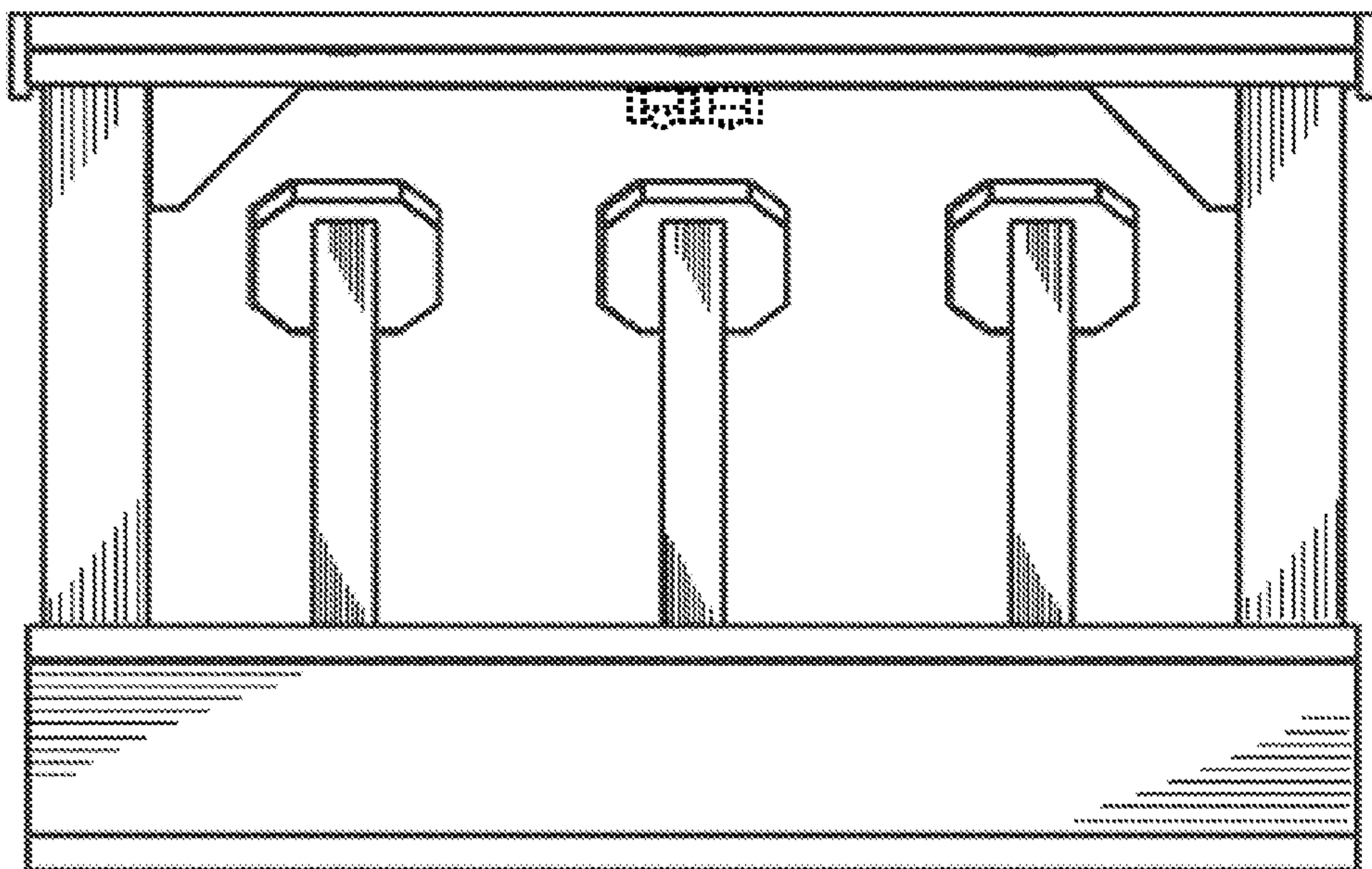


FIG. 8

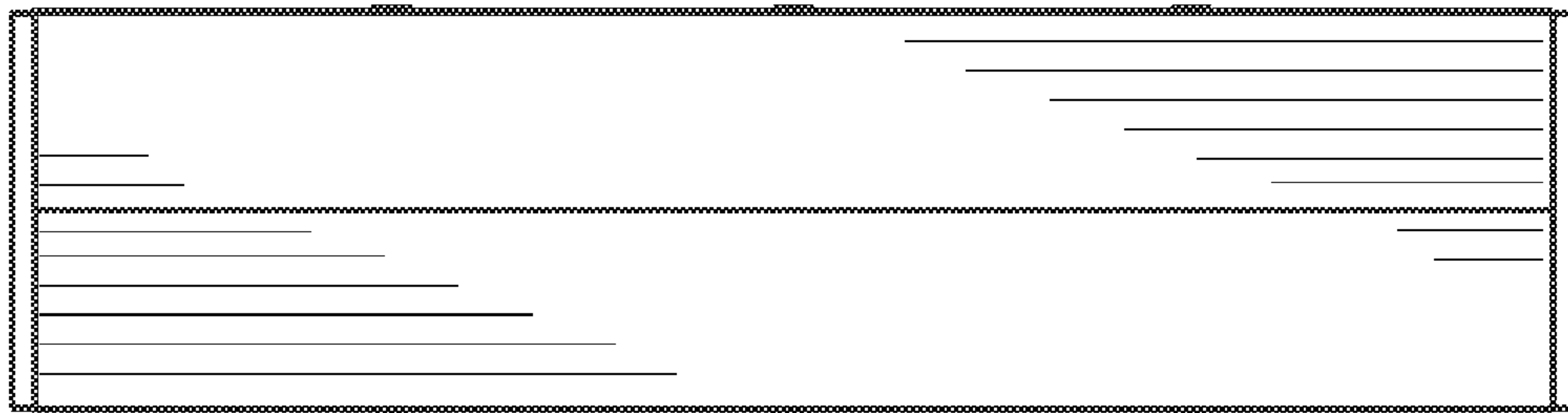


FIG. 9