

US00D694026S

(12) **United States Design Patent**
Berger

(10) **Patent No.:** **US D694,026 S**

(45) **Date of Patent:** **** Nov. 26, 2013**

(54) **ORGANIZER HANGER**

(71) Applicant: **Andy L Berger**, Buffalo Grove, IL (US)

(72) Inventor: **Andy L Berger**, Buffalo Grove, IL (US)

(**) Term: **14 Years**

(21) Appl. No.: **29/450,885**

(22) Filed: **Mar. 25, 2013**

(51) **LOC (9) Cl.** **06-08**

(52) **U.S. Cl.**
USPC **D6/318**

(58) **Field of Classification Search**
USPC D6/315-328; 223/85-98; 211/1, 13.1,
211/85.3, 86.01, 105.2, 106.1, 123, 124,
211/183; 248/317, 339

See application file for complete search history.

(56) **References Cited**

U.S. PATENT DOCUMENTS

1,515,600	A *	11/1924	Kornas	223/86
1,911,208	A *	5/1933	Roman et al.	223/86
2,284,979	A *	6/1942	Lazarus	211/113
2,634,031	A *	4/1953	Klein	223/88
2,932,407	A *	4/1960	Citron	211/113
3,329,279	A *	7/1967	Inghram	211/89.01

4,300,688	A *	11/1981	London et al.	206/286
D311,458	S *	10/1990	La Croix	D6/315
D342,834	S *	1/1994	Lorenzana	D6/315
D411,373	S *	6/1999	McKinney	D6/315
D543,367	S *	5/2007	Sack	D6/315
D626,754	S *	11/2010	Tramontini	D6/317
D645,666	S *	9/2011	Ruelas	D6/323
D650,176	S *	12/2011	Gadsby	D6/315

* cited by examiner

Primary Examiner — Derrick Holland

Assistant Examiner — Lauren Calve

(74) *Attorney, Agent, or Firm* — Sinorica, LLC

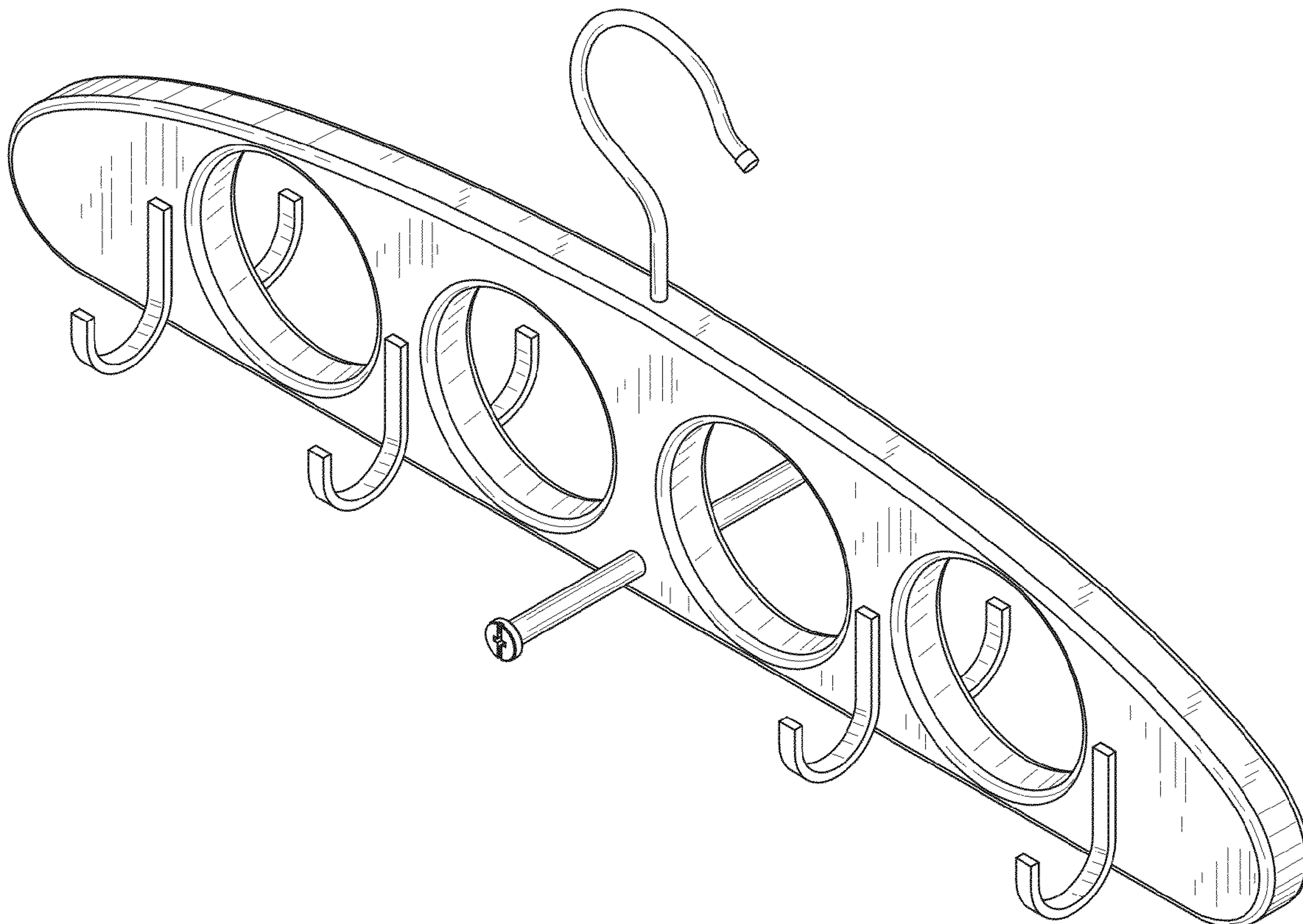
(57) **CLAIM**

The ornamental design for an organizer hanger, as shown and described.

DESCRIPTION

FIG. 1 is a front elevational view of an organizer hanger;
FIG. 2 is a rear elevational view thereof;
FIG. 3 is a right-side elevational view thereof;
FIG. 4 is a left-side elevational view thereof;
FIG. 5 is a top plan view thereof;
FIG. 6 is a bottom plan view thereof; and,
FIG. 7 is a perspective view thereof.

1 Claim, 7 Drawing Sheets



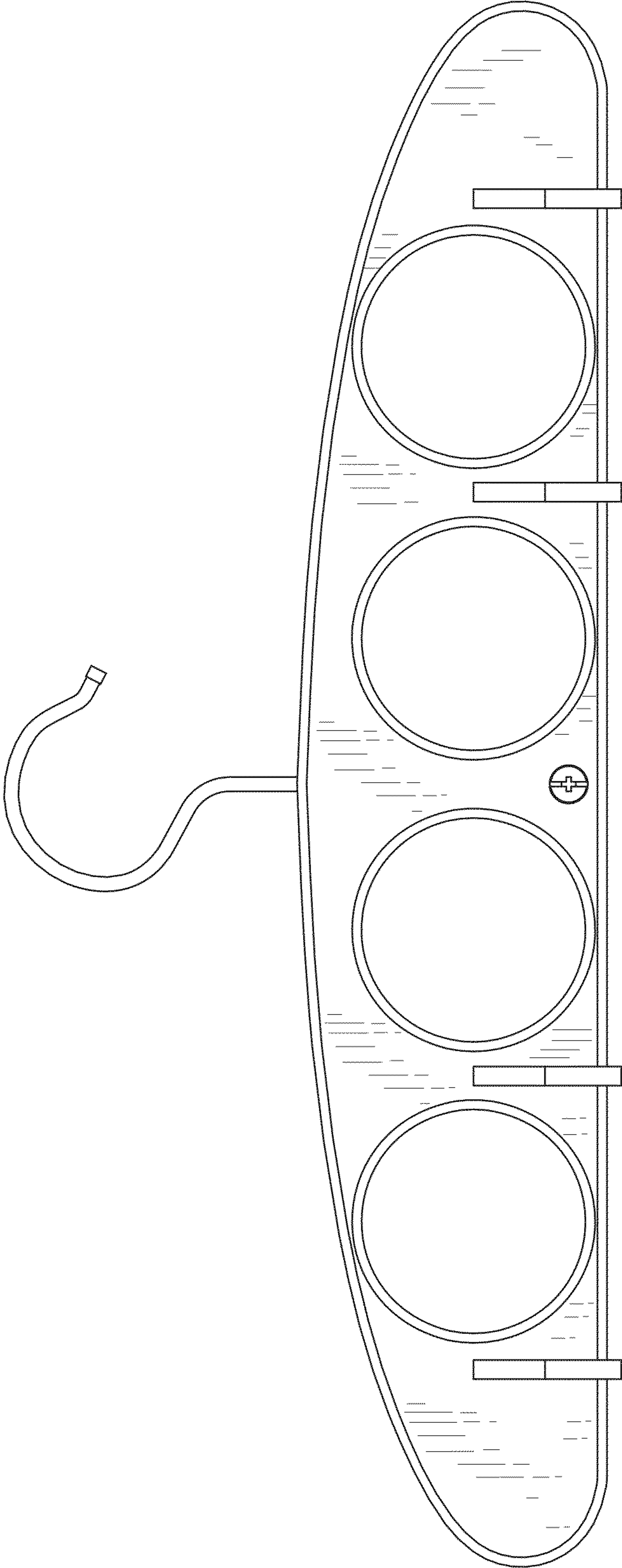


FIG. 1

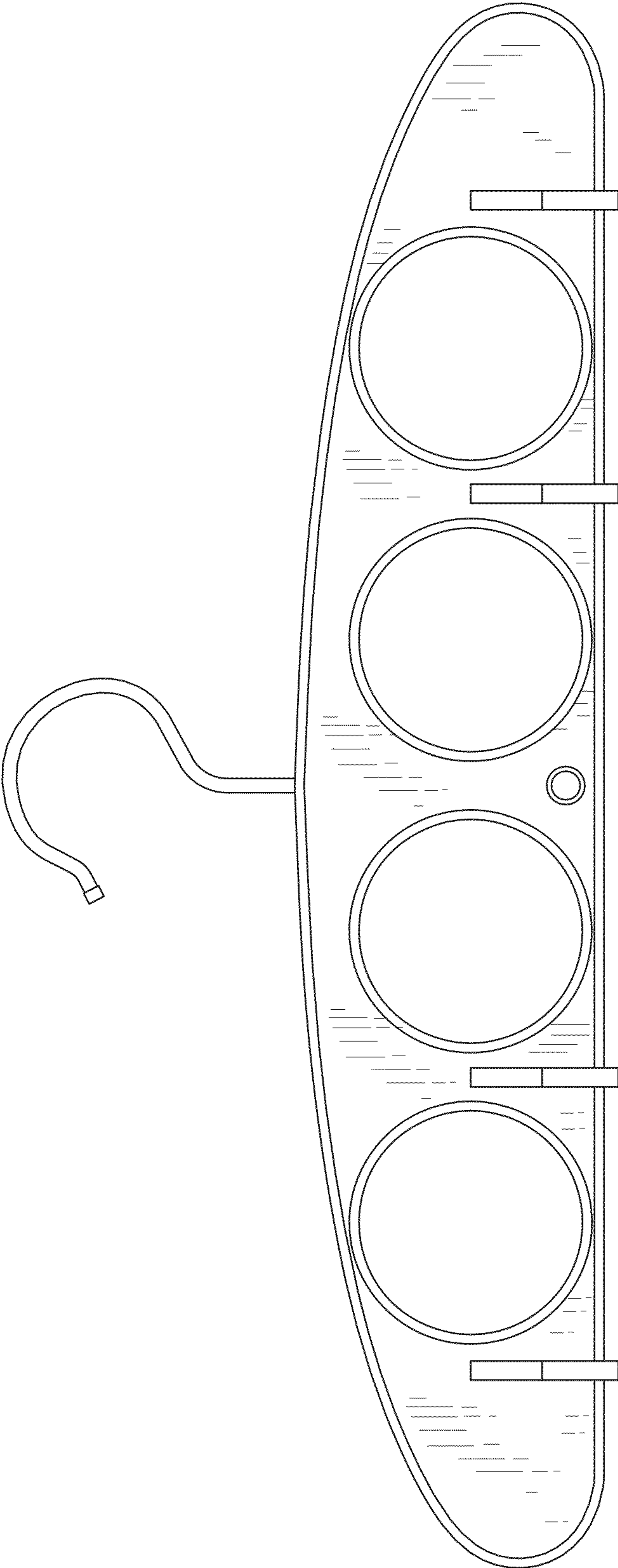


FIG. 2

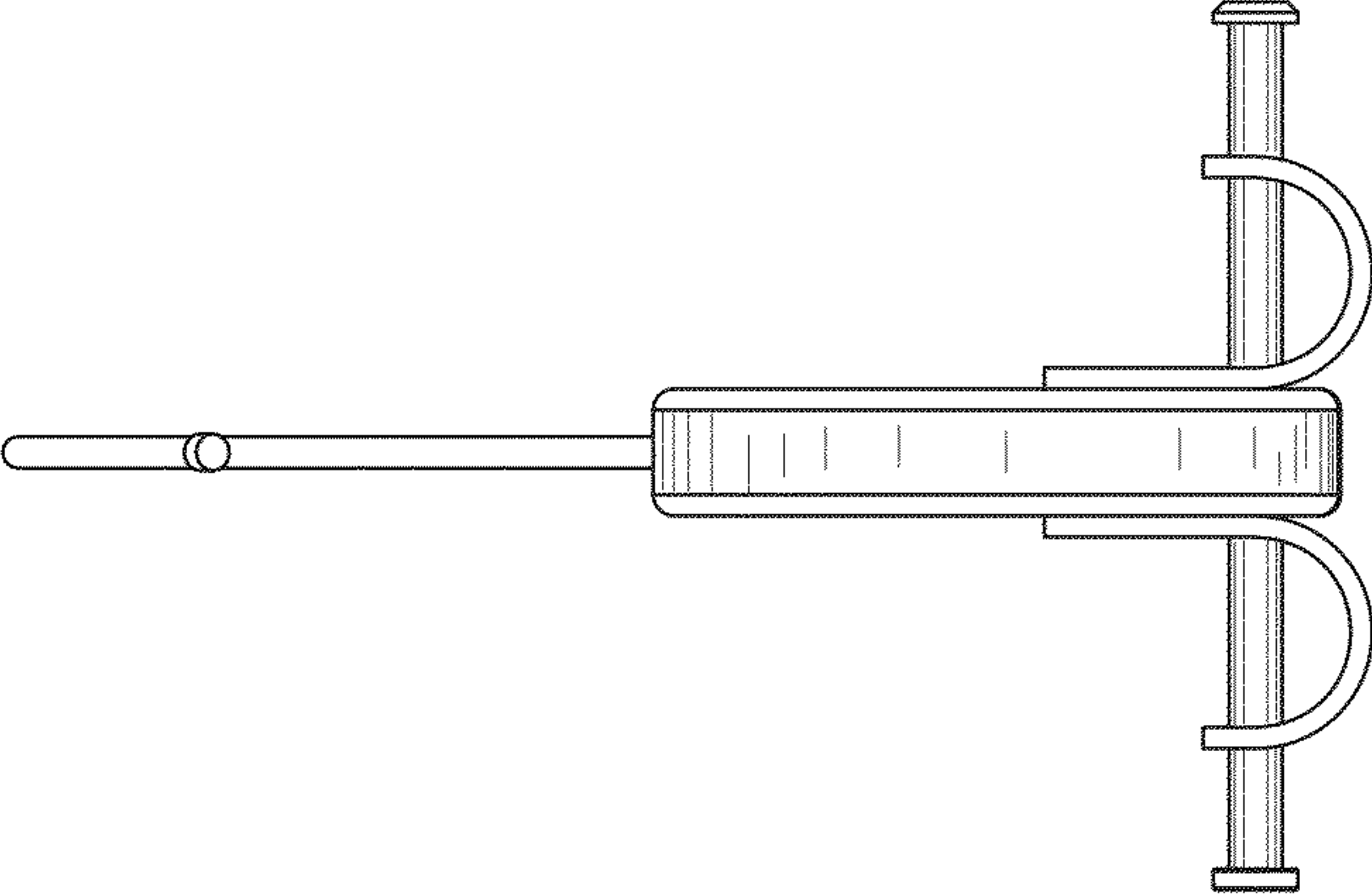


FIG. 3

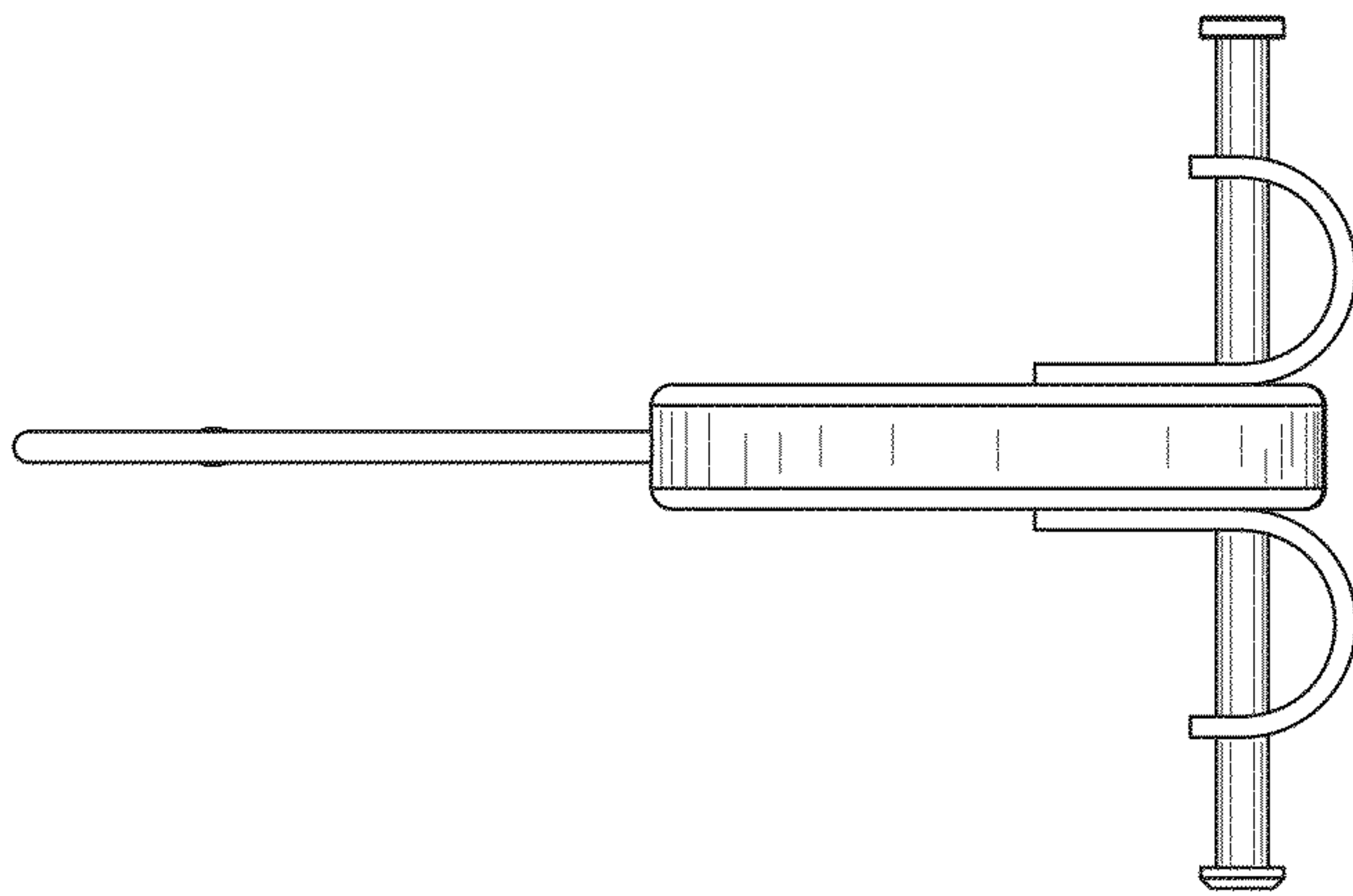


FIG. 4

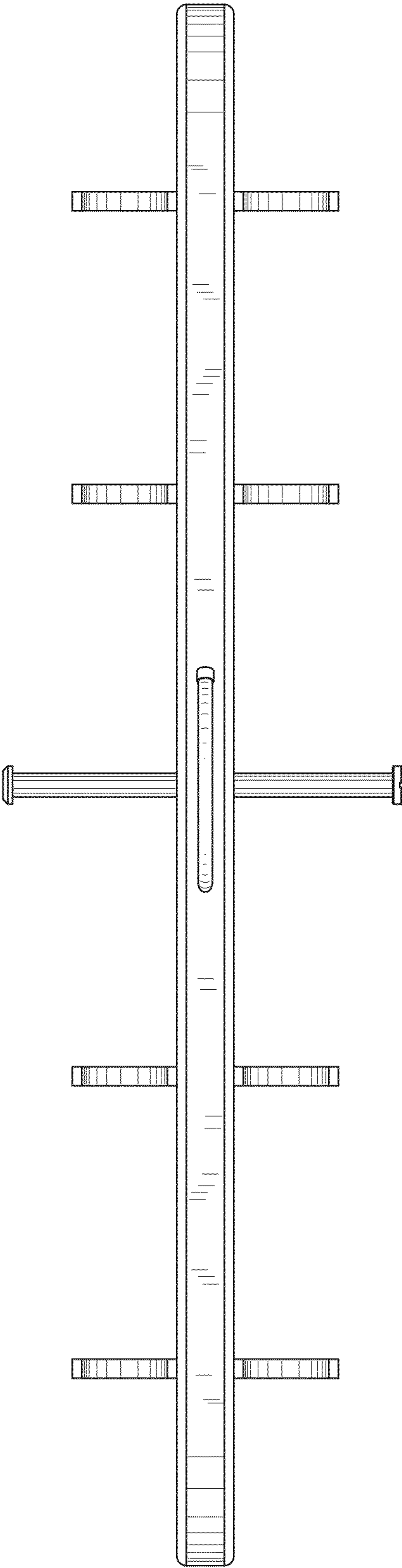


FIG. 5

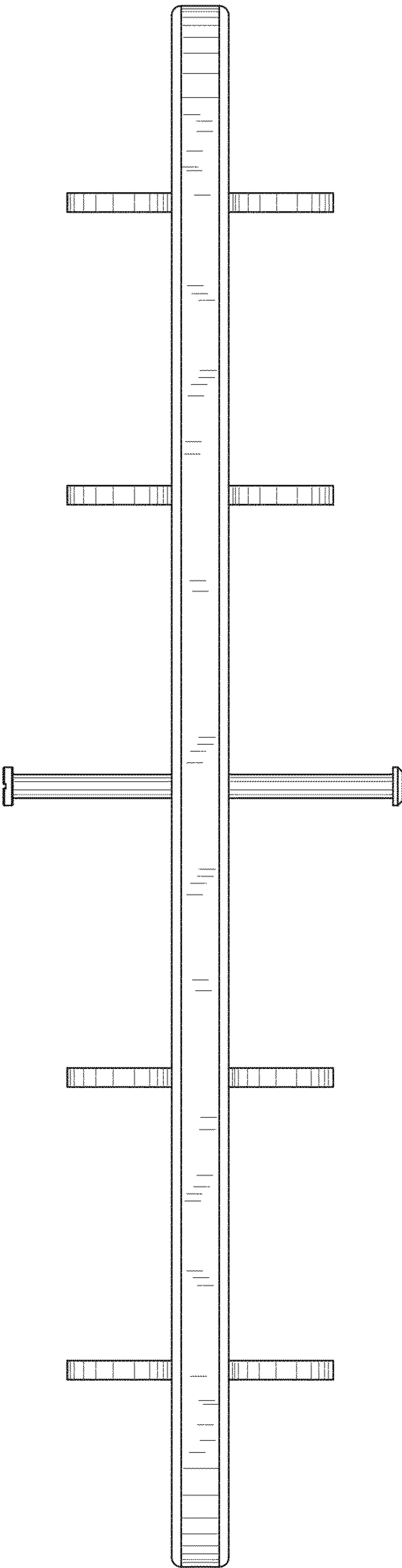


FIG. 6

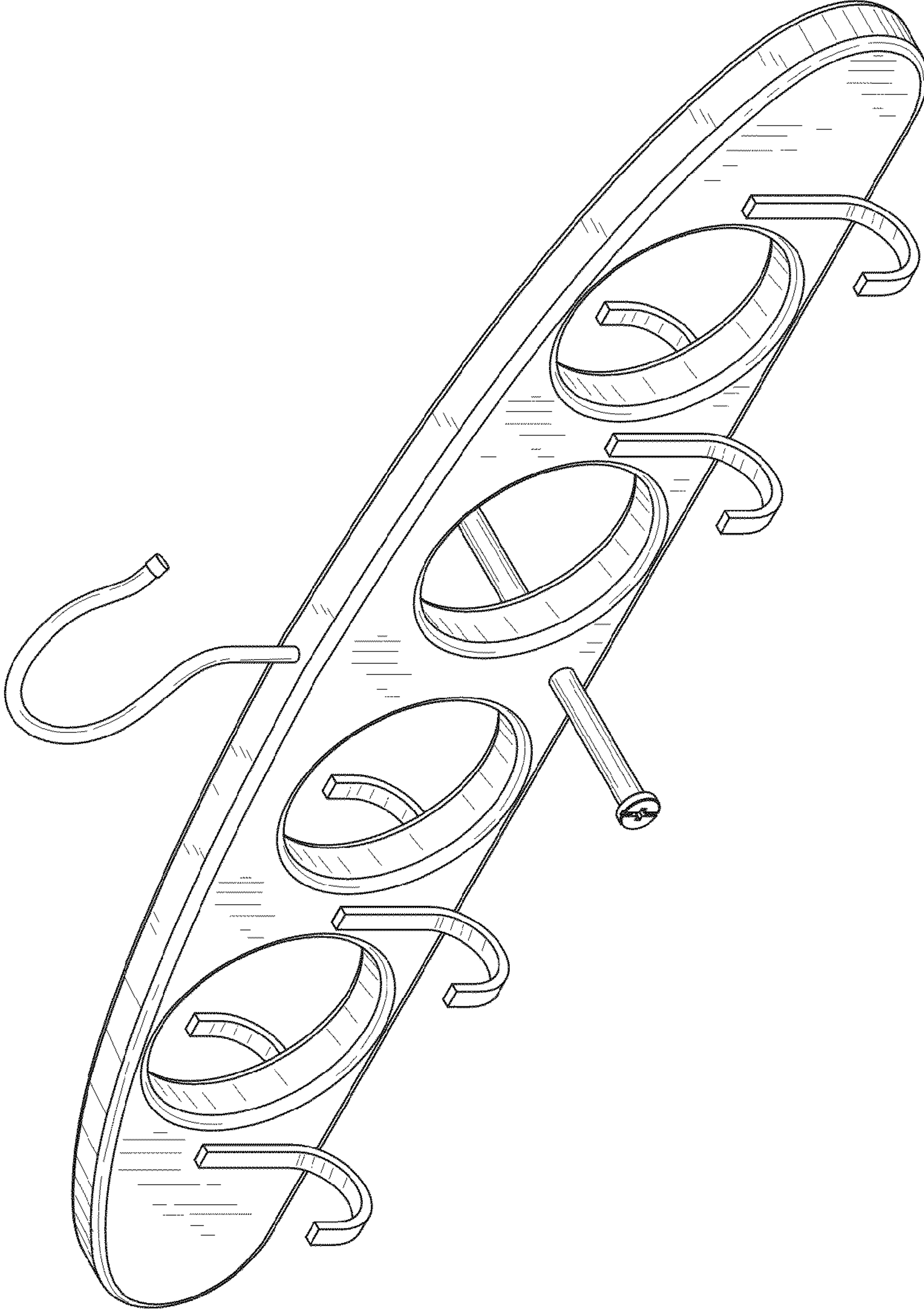


FIG. 7