

US00D694021S

(12) **United States Design Patent**
Weaver et al.

(10) **Patent No.:** **US D694,021 S**
(45) **Date of Patent:** **** Nov. 26, 2013**

(54) **BRUSH WITH HANDLE**

- (71) Applicant: **Quickie Manufacturing Corporation**,
Cinnaminson, NJ (US)
- (72) Inventors: **Jace Weaver**, Gilbertsville, PA (US);
Michael Schiavo, Mt. Ephraim, NJ (US)
- (73) Assignee: **Quickie Manufacturing Corporation**,
Cinnaminson, NJ (US)

(**) Term: **14 Years**

(21) Appl. No.: **29/452,819**

(22) Filed: **Apr. 22, 2013**

(51) **LOC (9) Cl.** **04-01**

(52) **U.S. Cl.**
USPC **D4/138; D4/118**

(58) **Field of Classification Search**
USPC D4/118, 132-134, 136-138; D28/63;
D32/51, 52; 15/111, 143.1, 159.1, 160,
15/186-188, 244.1

See application file for complete search history.

(56) **References Cited**

U.S. PATENT DOCUMENTS

D291,029 S *	7/1987	Purvis et al.	D4/118
D310,754 S *	9/1990	Gingras	D4/138
D428,705 S *	8/2000	Larson	D4/132
D449,739 S *	10/2001	Gringer	D4/118
D676,303 S *	2/2013	Kopp et al.	D8/107

OTHER PUBLICATIONS

Harper Brush Catalog, Aug. 1995, Dash Duster. Item No. 470. p. 15.*
Milwaukee Brushes and Brooms, Catalog No. 36-R-7, The Milwaukee Brush Manufacturing Co., Jul. 1949, Combination Brush and Scraper, Item No. 1665, p. 15.*

Rubbermaid® Catalog, © 1992, Rubbermaid Commercial Products, Inc., Brush Item No. 6348, p. 38.*
Sparta Brushes For Food Service, Catalog No. 300, 1978, Sparta Brush Co. inc, Brush Item No. 406, p. 8.*
DE 40603004-0011 Registered Design, (Braun GmbH) Oct. 10, 2006, [online], [retrieved on Sep. 27, 2013]. Retrieved from the Designs Register of the German Patent and Trade Mark Office using the Internet: <URL: http://register.dmpa.de>.*
DE 40603004-0021 Registered Design, (Braun GmbH) Oct. 10, 2006, [online], [retrieved on Sep. 11, 2013]. Retrieved from the Designs Register of the German Patent and Trade Mark Office using the Internet: <URL: http://register.dmpa.de>.*

* cited by examiner

Primary Examiner — Melanie H Tung
Assistant Examiner — Lavone D Tabor

(74) *Attorney, Agent, or Firm* — Jason F. Cotter; Gregory J. Winsky; Archer & Greiner, P.C.

(57) **CLAIM**

The ornamental design for a brush with handle, as shown and described.

DESCRIPTION

FIG. 1 is a perspective view of a brush with handle showing our new design;

FIG. 2 is a top plan view thereof;

FIG. 3 is a bottom plan view thereof;

FIG. 4 is a right side elevational view thereof;

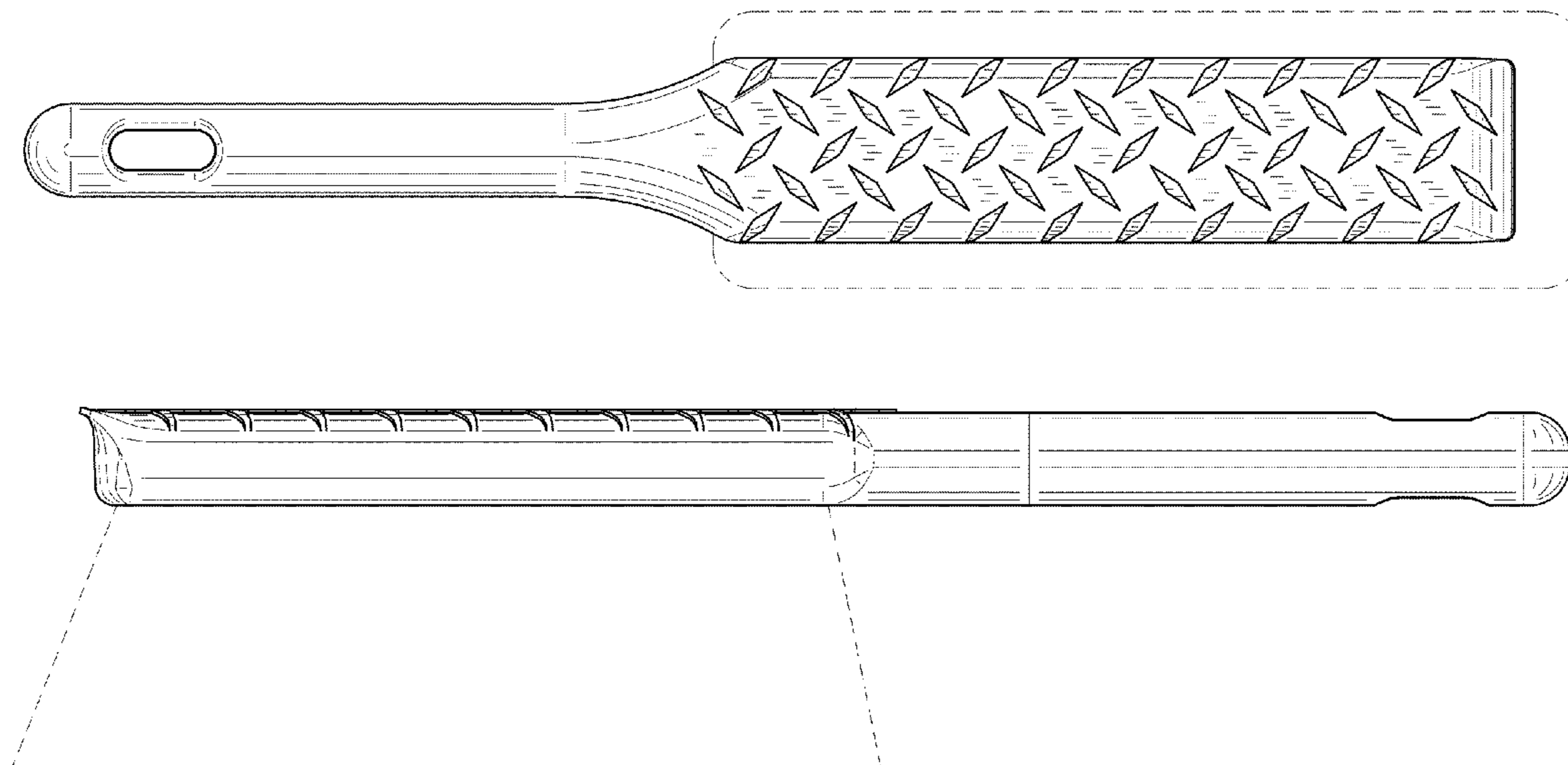
FIG. 5 is a left side elevational view thereof;

FIG. 6 is a front elevational view thereof; and,

FIG. 7 is a rear elevational view thereof.

The broken lines shown in the drawings represent unclaimed portions of the brush with handle and form no part of the claimed design.

1 Claim, 4 Drawing Sheets



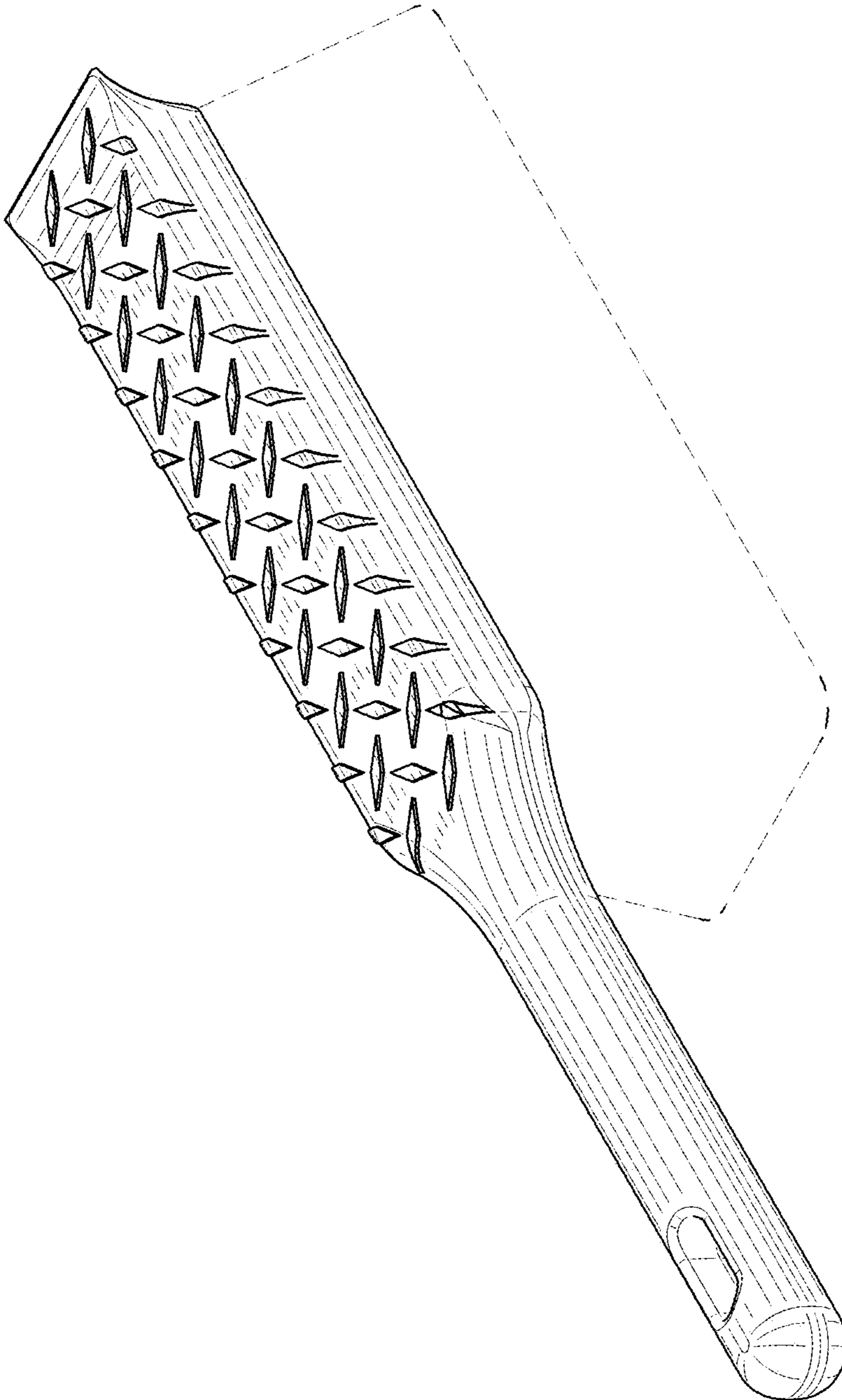


FIG. 1

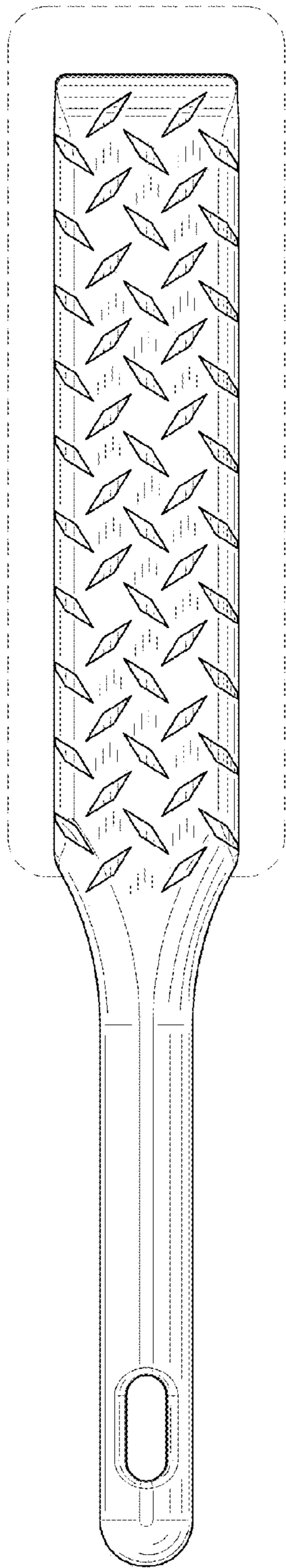


FIG. 2

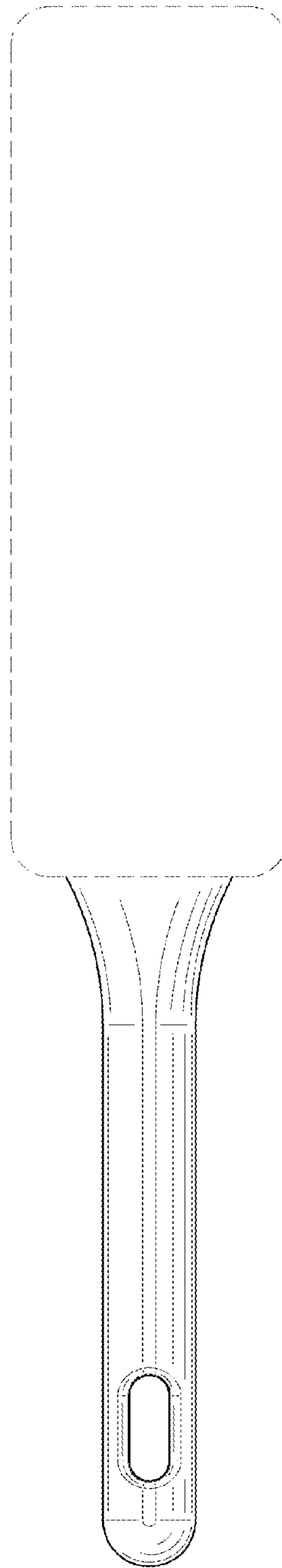
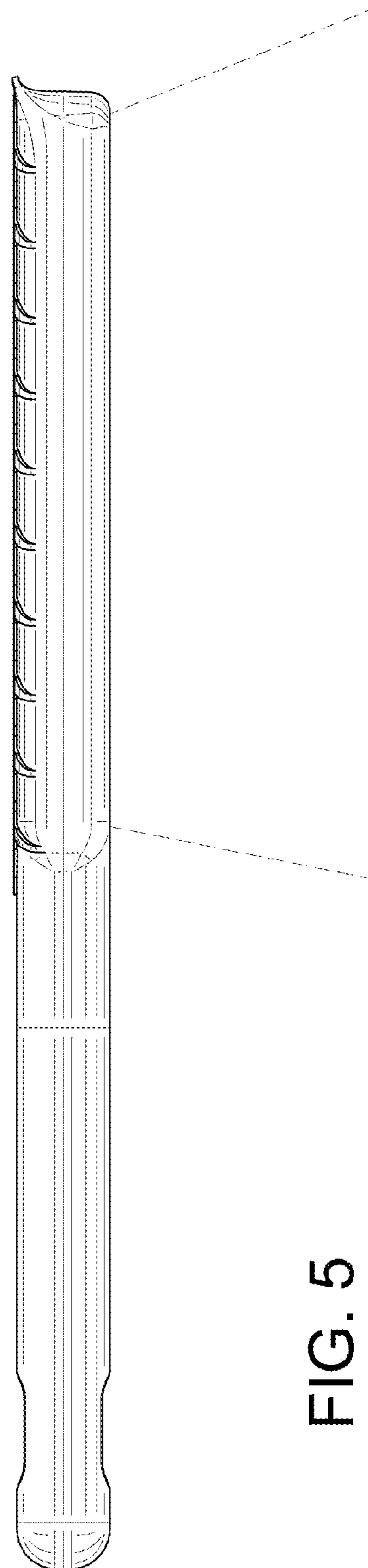
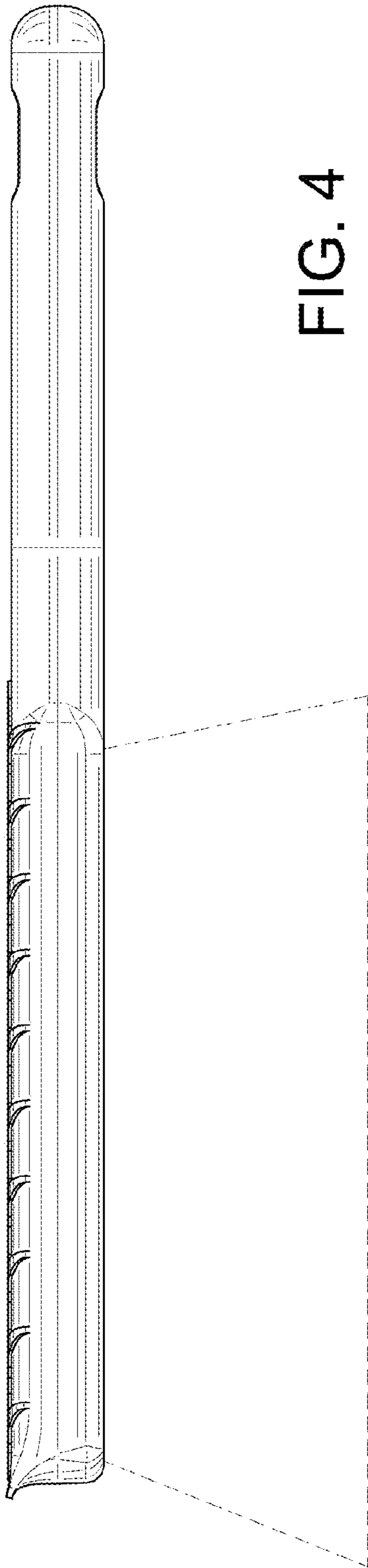


FIG. 3



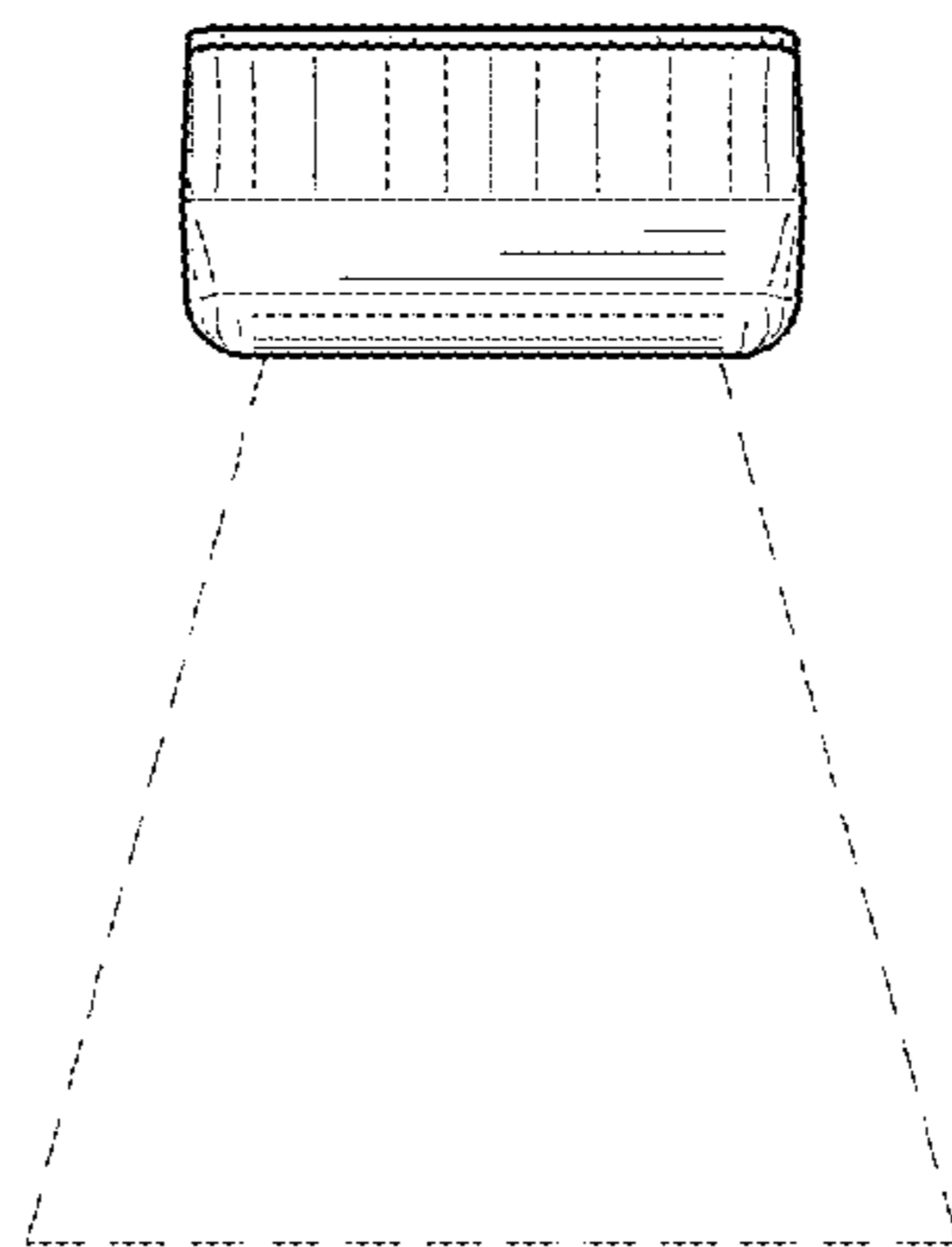


FIG. 6

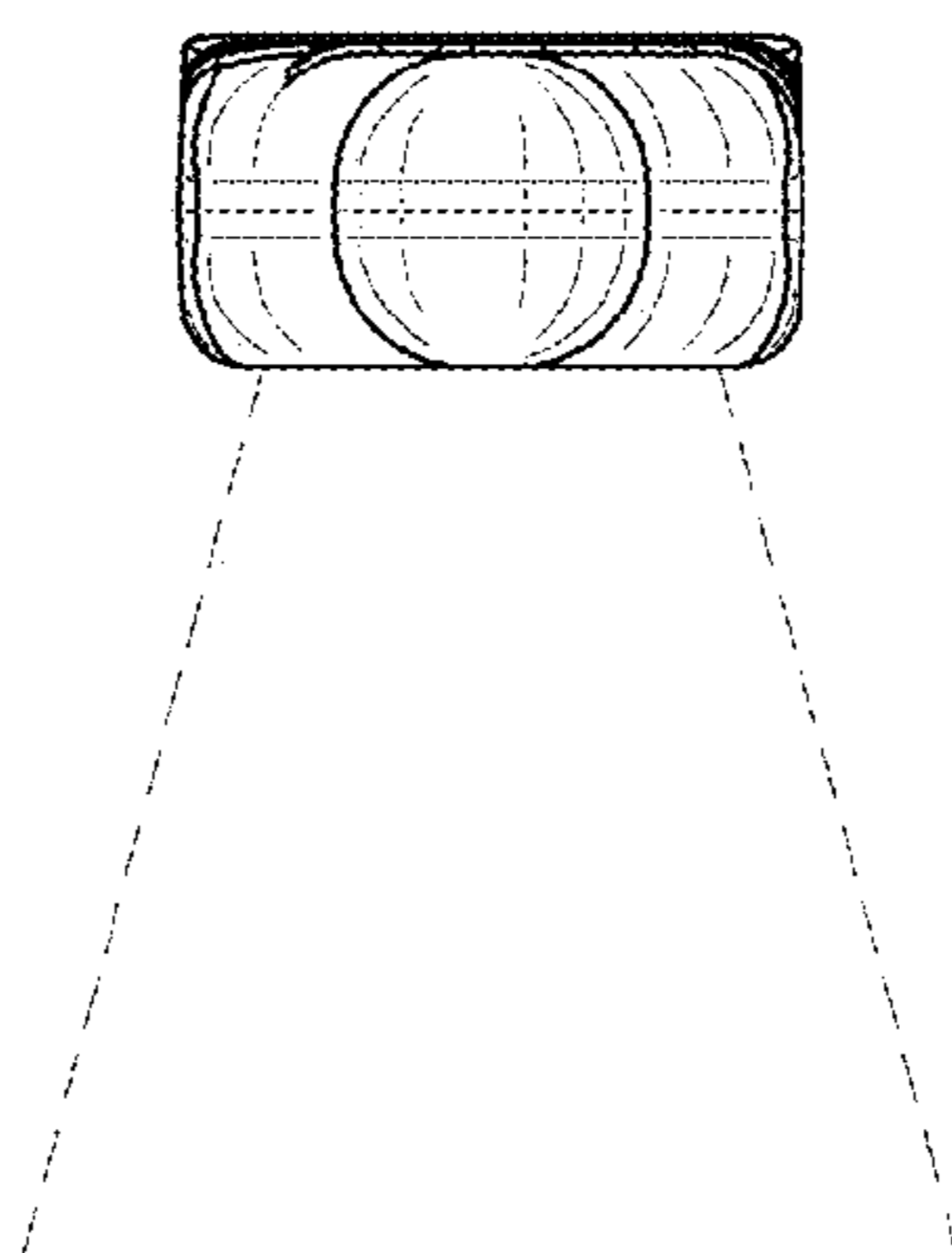


FIG. 7