



US00D694020S

(12) **United States Design Patent**
Weaver et al.

(10) **Patent No.:** **US D694,020 S**

(45) **Date of Patent:** **** Nov. 26, 2013**

(54) **BRUSH WITH HANDLE**

(71) Applicant: **Quickie Manufacturing Corporation**,
Cinnaminson, NJ (US)

(72) Inventors: **Jace Weaver**, Gilbertsville, PA (US);
Michael Schiavo, Mt. Ephraim, NJ (US)

(73) Assignee: **Quickie Manufacturing Corporation**,
Cinnaminson, NJ (US)

(**) Term: **14 Years**

(21) Appl. No.: **29/452,776**

(22) Filed: **Apr. 22, 2013**

(51) **LOC (9) Cl.** **04-01**

(52) **U.S. Cl.**

USPC **D4/138**; D4/118

(58) **Field of Classification Search**

USPC D4/118, 132-134, 136-138; D28/63;
D32/51, 52; 15/111, 143.1, 159.1, 160,
15/186-188, 244.1

See application file for complete search history.

(56) **References Cited**

U.S. PATENT DOCUMENTS

D75,811 S	*	7/1928	Smith	D4/134
D130,255 S	*	11/1941	Racicot	D4/134
D291,029 S	*	7/1987	Purvis et al.	D4/118
D323,746 S	*	2/1992	Mehan	D4/116
D349,193 S	*	8/1994	Sloan et al.	D4/118
D676,303 S	*	2/2013	Kopp et al.	D8/107

OTHER PUBLICATIONS

DE 40603004-0011 Registered Design, (Braun GmbH) Oct. 10, 2006, [online], [retrieved on Sep. 27, 2013]. Retrieved from the

Designs Register of the German Patent and Trade Mark Office using the Internet: <URL: <http://register.dmpa.de>>.*

DE 40603004-0021 Registered Design, (Braun GmbH) Oct. 10, 2006, [online], [retrieved on Sep. 11, 2013]. Retrieved from the Designs Register of the German Patent and Trade Mark Office using the Internet: <URL: <http://register.dmpa.de>>.*

Harper Brush Catalog, Aug. 1995, Short & Long Handled Scrubbers, top box on p., 13.*

Rubbermaid® Catalog, © 1992, Rubbermaid Commercial Products, Inc., Utility Brushes, p. 38.*

* cited by examiner

Primary Examiner — Melanie H Tung

Assistant Examiner — Lavone D Tabor

(74) *Attorney, Agent, or Firm* — Jason F. Cotter; Gregory J. Winsky; Archer & Greiner, P.C.

(57) **CLAIM**

The ornamental design for a brush with handle, as shown and described.

DESCRIPTION

FIG. 1 is a perspective view of a brush with handle showing our new design;

FIG. 2 is a top plan view thereof;

FIG. 3 is a bottom plan view thereof;

FIG. 4 is a right side elevational view thereof;

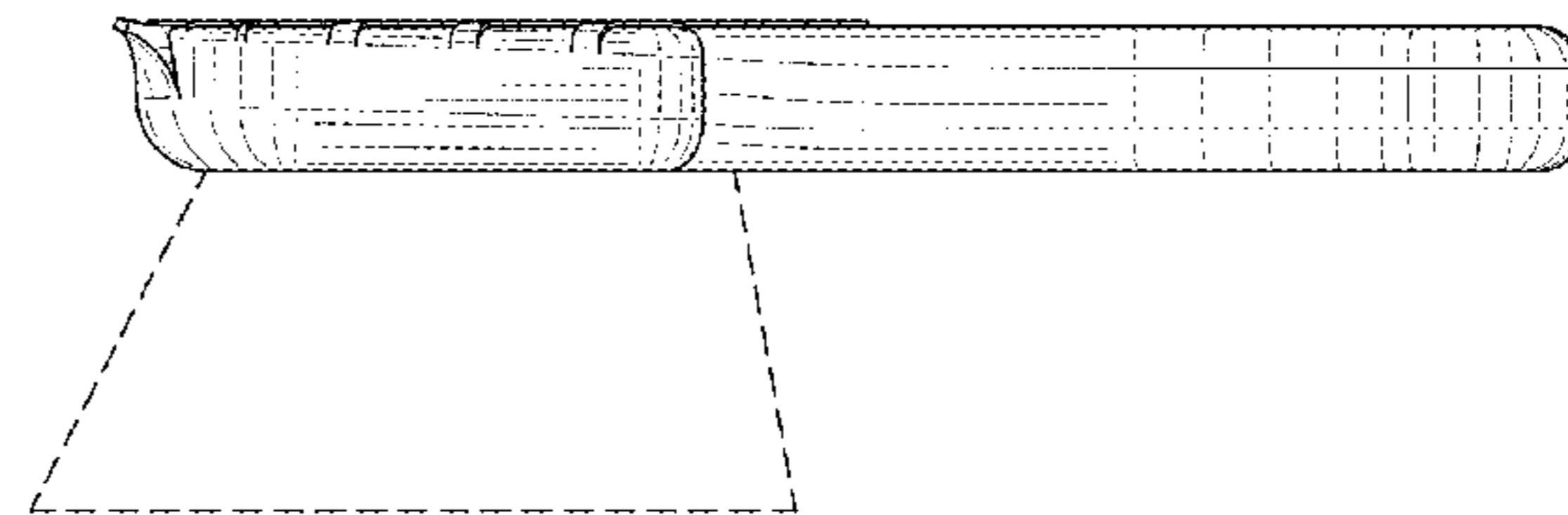
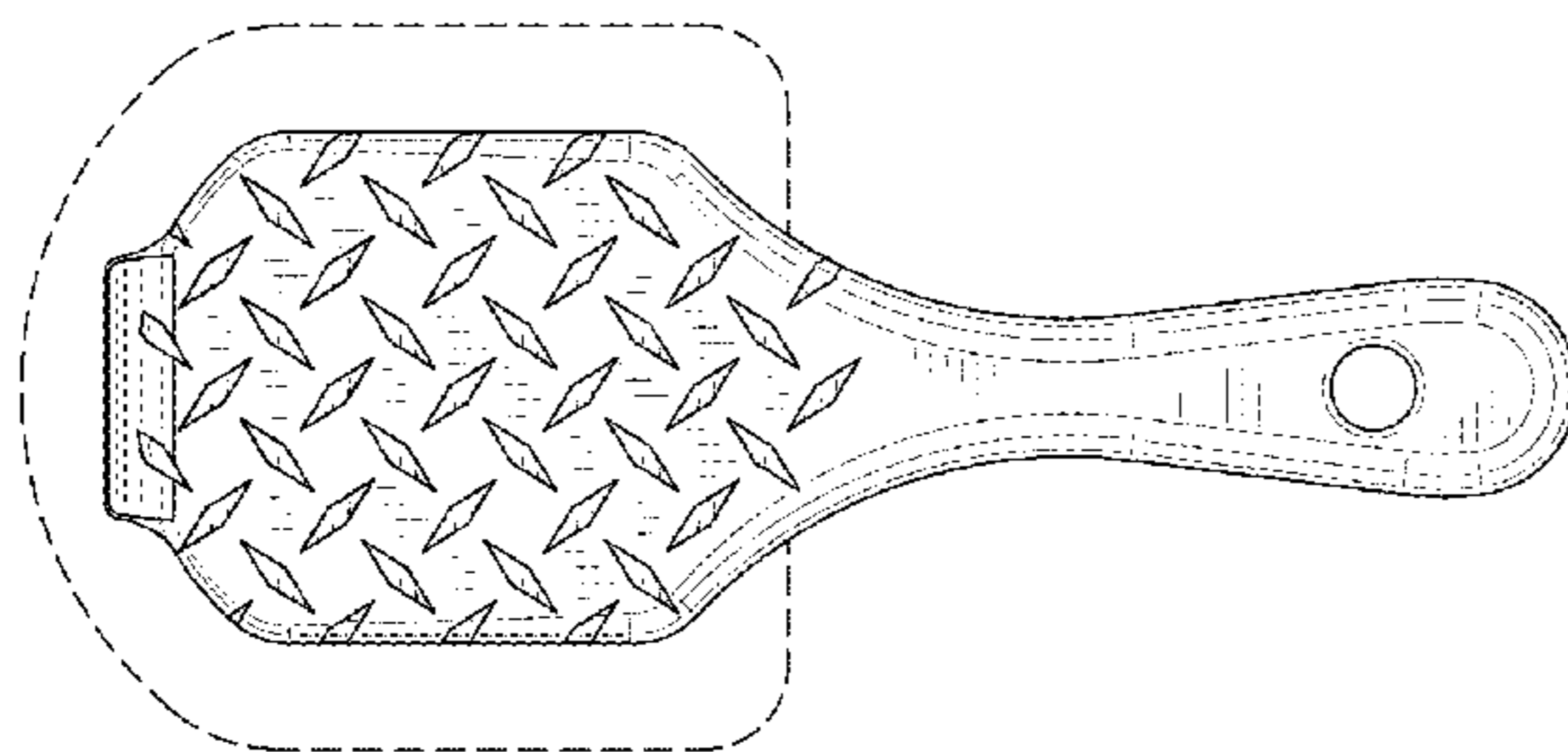
FIG. 5 is a left side elevational view thereof;

FIG. 6 is a front elevational view thereof; and,

FIG. 7 is a rear elevational view thereof.

The broken lines shown in the drawings represent unclaimed portions of the brush with handle and form no part of the claimed design.

1 Claim, 4 Drawing Sheets



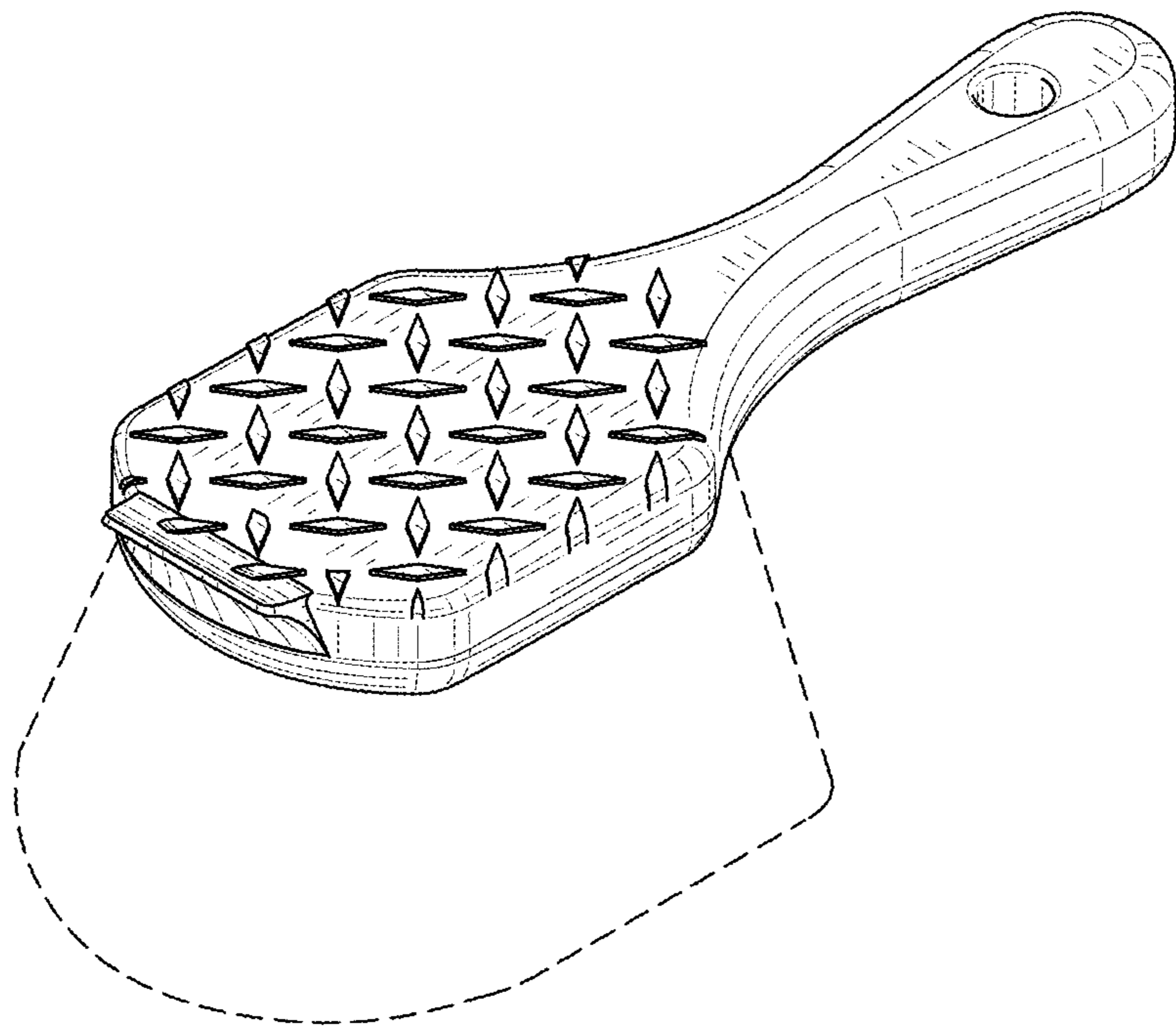


FIG. 1

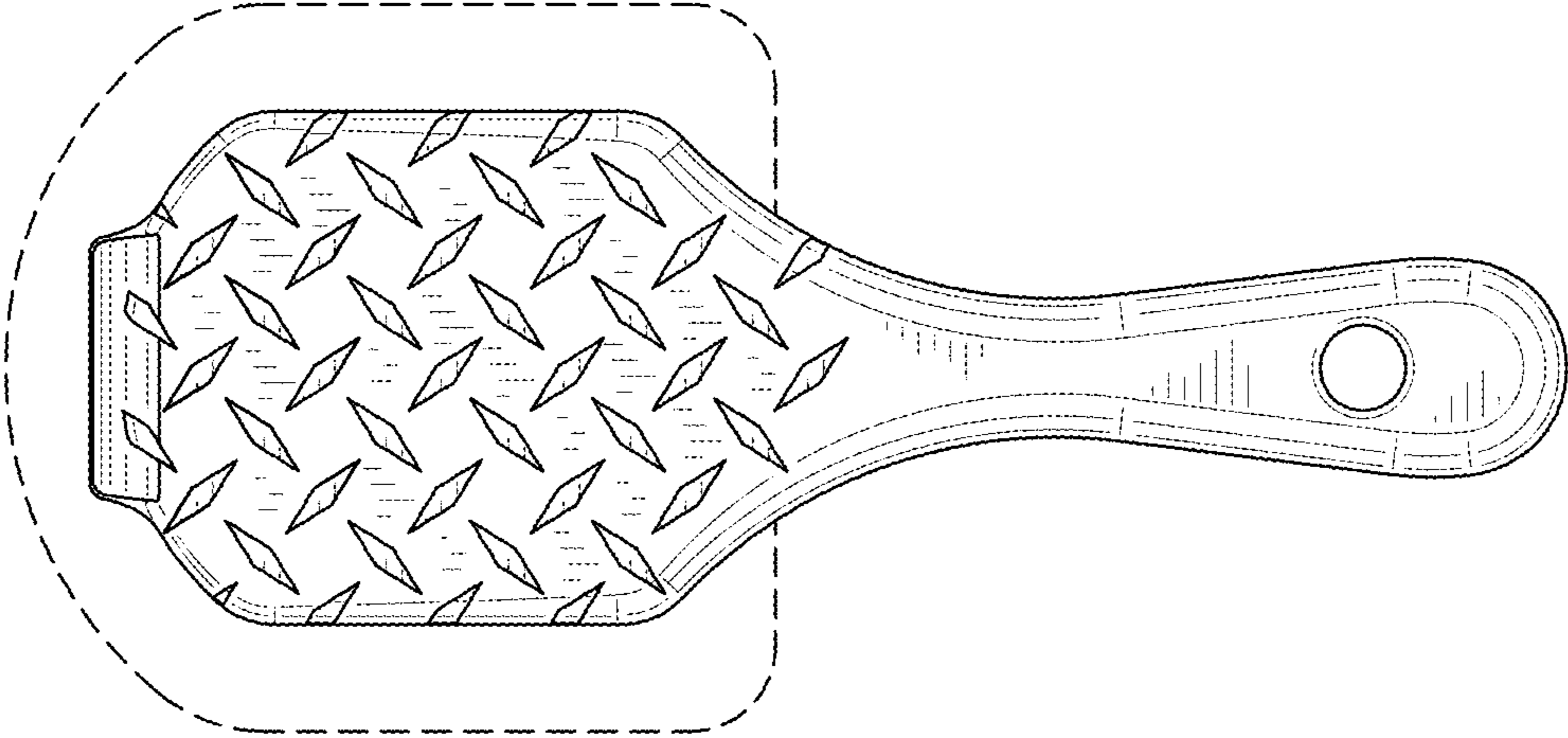


FIG. 2

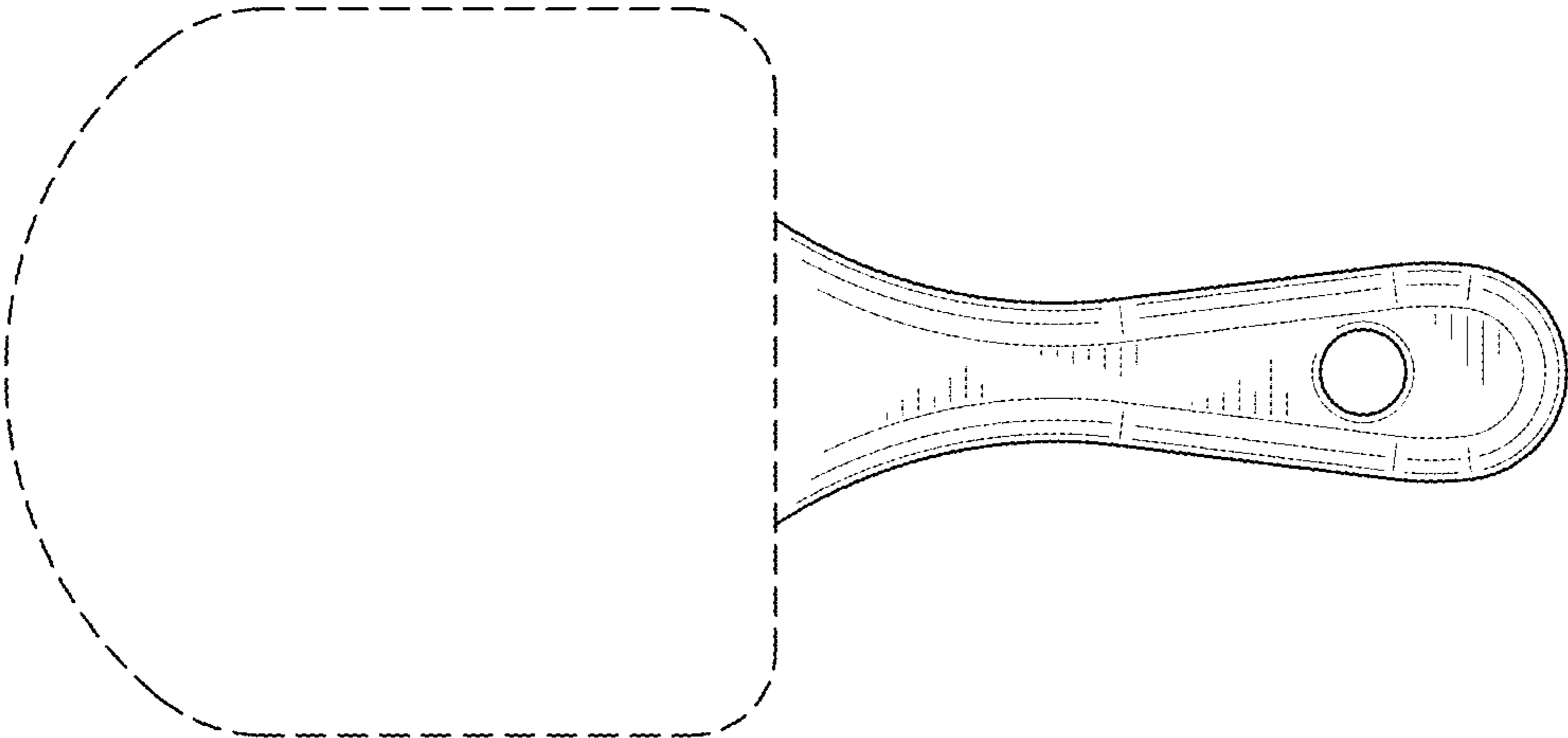


FIG. 3

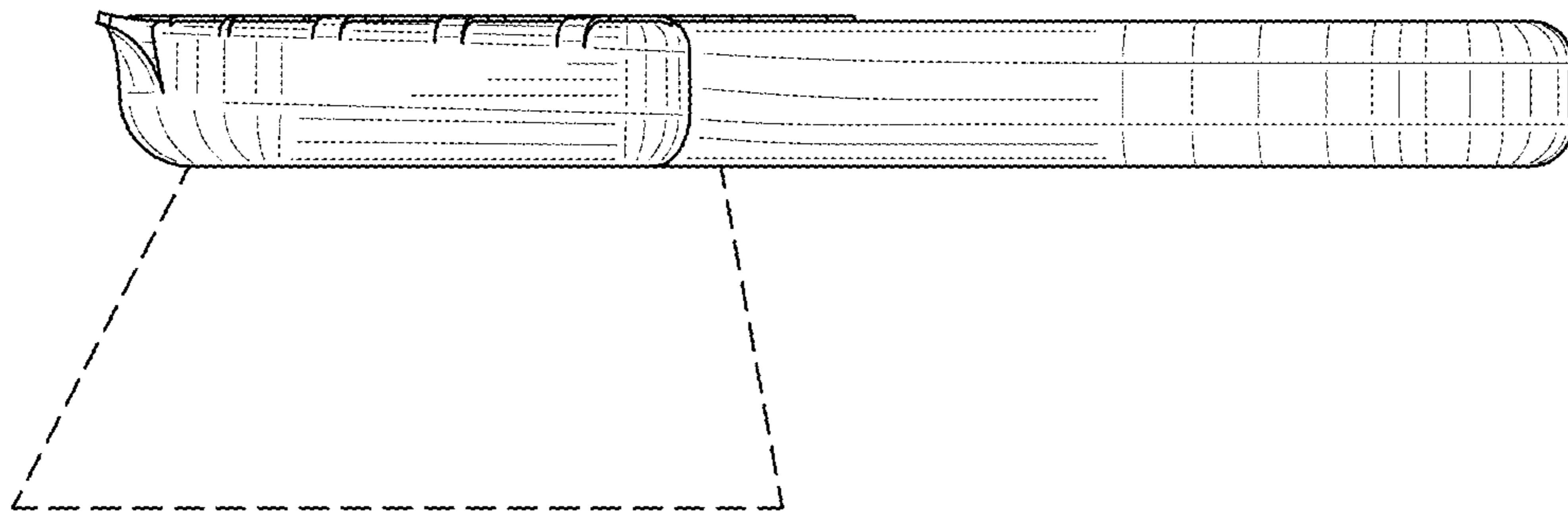


FIG. 4

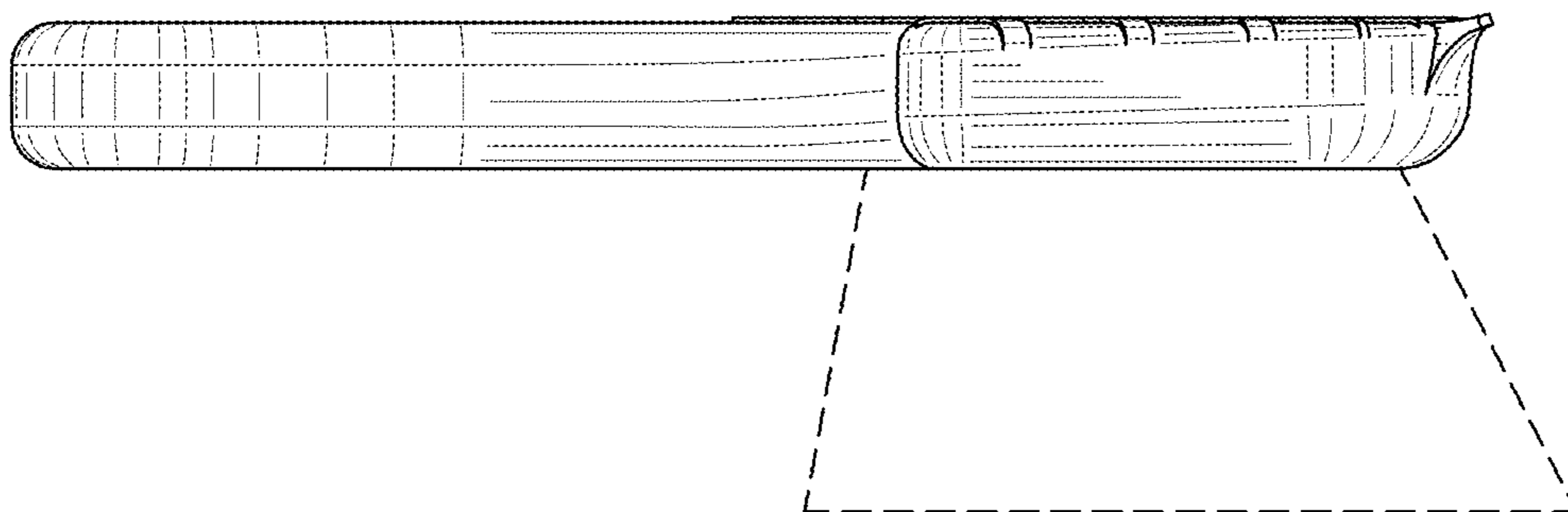


FIG. 5

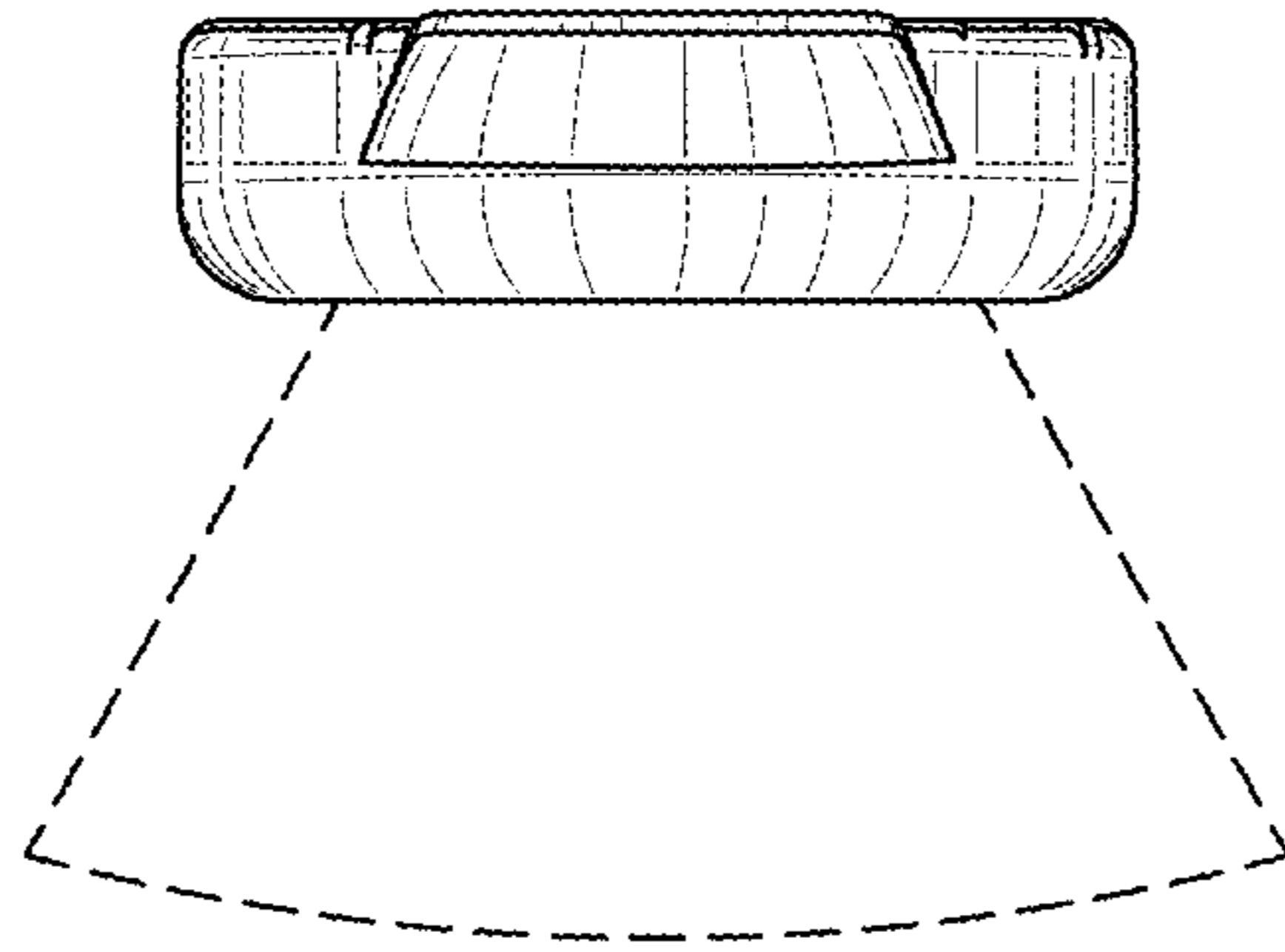


FIG. 6

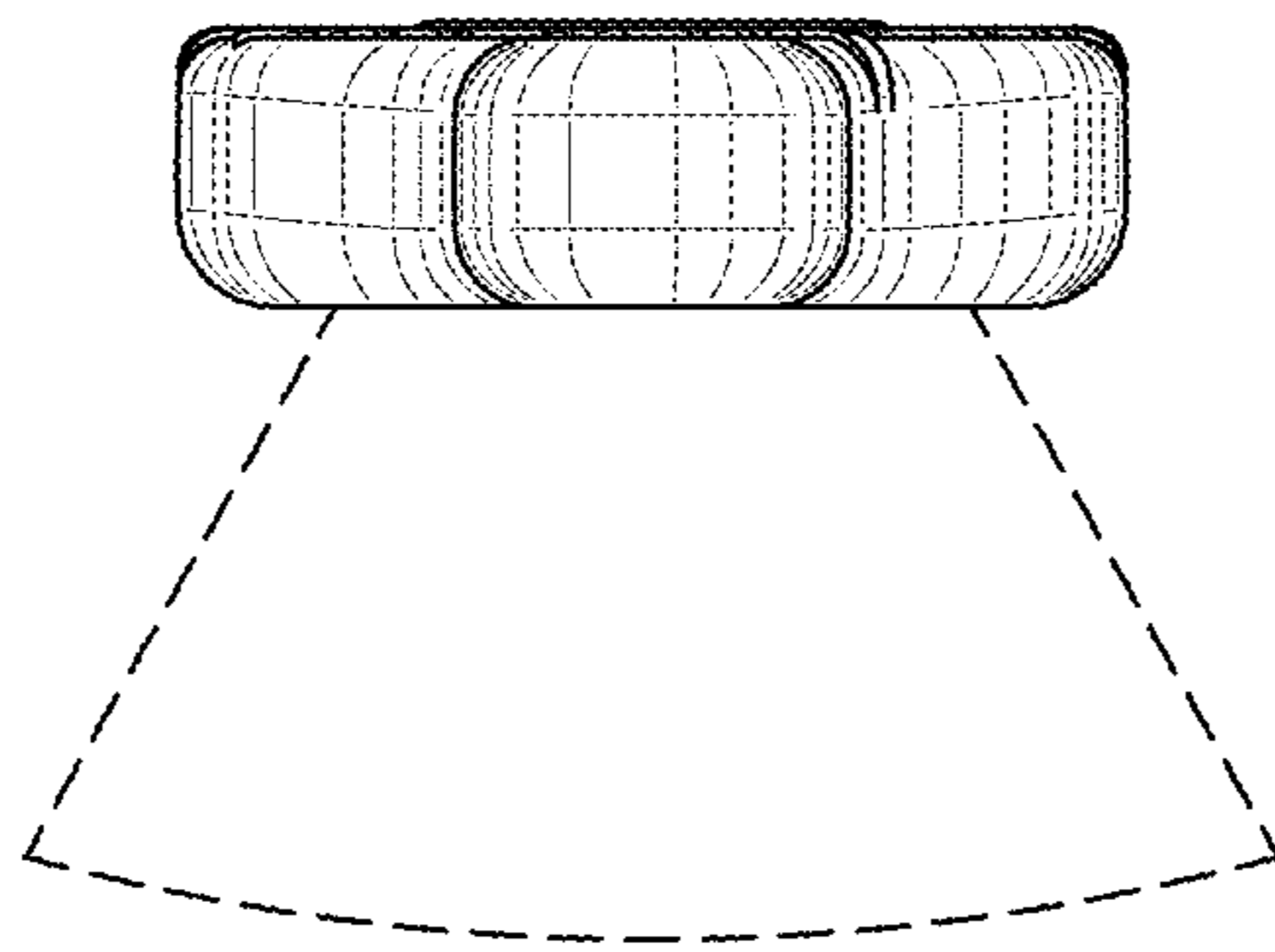


FIG. 7