



US00D694019S

(12) **United States Design Patent**
Simard

(10) **Patent No.:** **US D694,019 S**
(45) **Date of Patent:** **** Nov. 26, 2013**

- (54) **ERGONOMIC APPLICATOR**
- (71) Applicant: **Avon Products, Inc.**, Suffern, NY (US)
- (72) Inventor: **Marisol Simard**, Upper Nyack, NY (US)
- (73) Assignee: **Avon Products, Inc.**, New York, NY (US)
- (**) Term: **14 Years**
- (21) Appl. No.: **29/435,540**
- (22) Filed: **Oct. 25, 2012**

5,188,131	A	2/1993	Toll	
5,307,826	A	5/1994	Iosilevich	
5,309,929	A	5/1994	Toll	
D352,130	S *	11/1994	Zierhut D28/7
5,743,279	A	4/1998	Gueret	
5,765,573	A	6/1998	Gueret	
5,881,743	A	3/1999	Nadel	
6,012,465	A	1/2000	Gueret	
6,026,824	A	2/2000	Gueret	
6,062,757	A	5/2000	Gueret	
6,076,531	A *	6/2000	Gueret 132/218
6,082,999	A	7/2000	Tcherny	
6,200,051	B1	3/2001	Gueret	

(Continued)

- Related U.S. Application Data**
- (63) Continuation of application No. 29/435,342, filed on Oct. 23, 2012.
- (51) **LOC (9) Cl.** **04-02**
- (52) **U.S. Cl.**
USPC **D4/138; D4/132**
- (58) **Field of Classification Search**
USPC D4/121, 128, 132, 133, 135, 136, 138;
D28/7, 20, 28, 29, 46, 48; 132/216,
132/218, 313, 317, 320; 401/126, 129;
15/143.1, 144.1, 144.2, 186-188,
15/207.2
See application file for complete search history.

FOREIGN PATENT DOCUMENTS

WO 2012066102 A1 5/2012

Primary Examiner — Melanie H Tung
Assistant Examiner — Lavone D Tabor
(74) *Attorney, Agent, or Firm* — David M. Joyal; Joan M. McGillycuddy

(56) **References Cited**
U.S. PATENT DOCUMENTS

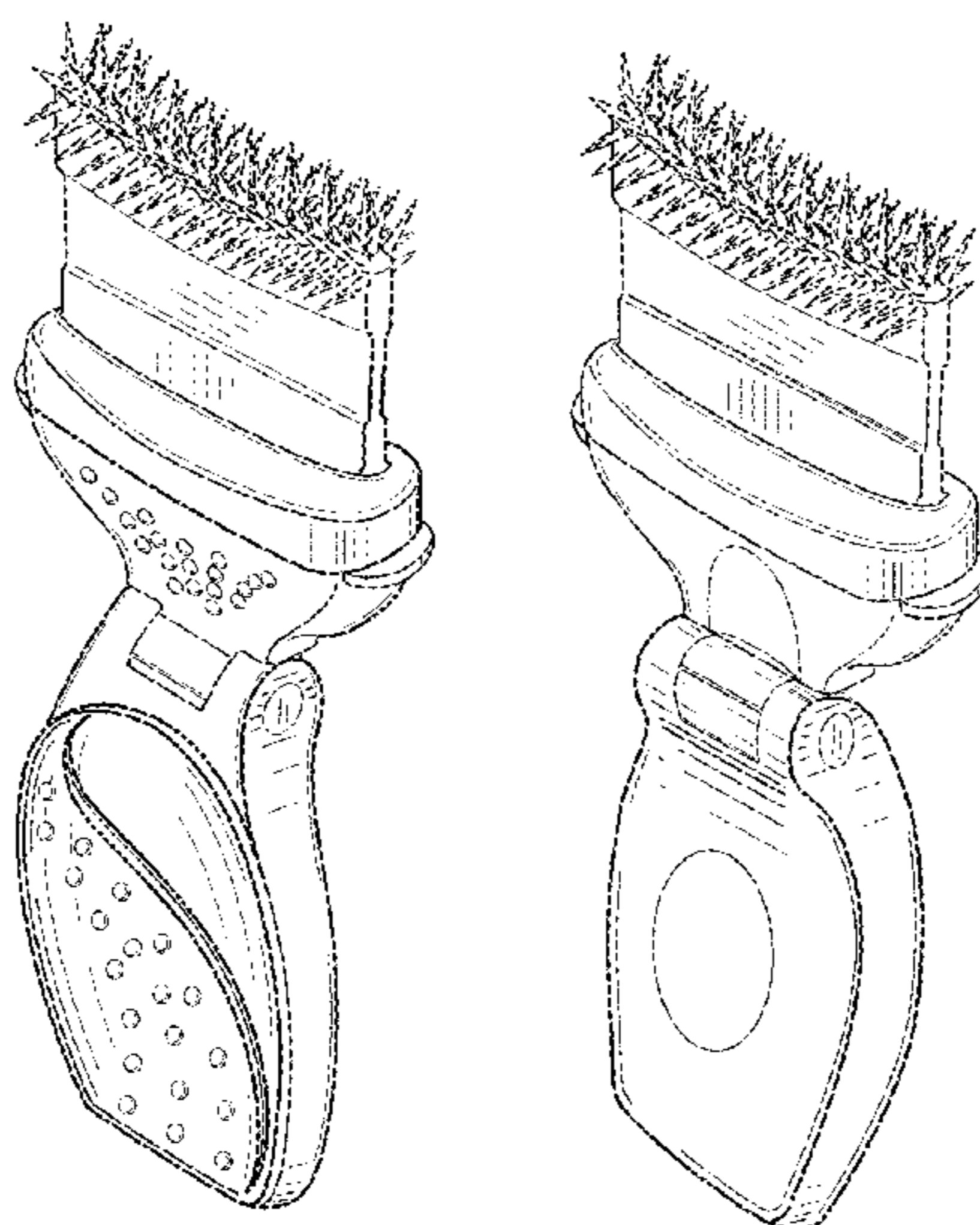
2,007,245	A	7/1935	Gimonet
2,569,246	A	9/1951	Marcellus
3,516,423	A	6/1970	Seidler
3,866,257	A	2/1975	Cansdale, Sr.
3,998,235	A	12/1976	Kingsford
4,165,755	A	8/1979	Cassai
4,404,977	A	9/1983	Vasas
5,086,793	A	2/1992	Kingsford

(57) **CLAIM**
The ornamental design for an ergonomic applicator, as shown and described.

DESCRIPTION

FIG. 1 is a front perspective view of an ergonomic applicator according to the invention;
FIG. 2 is a back perspective view thereof;
FIG. 3 is a side view thereof;
FIG. 4 is a front view thereof;
FIG. 5 is a back view thereof;
FIG. 6 is a side opposite that shown in FIG. 3;
FIG. 7 is a top plan view thereof; and,
FIG. 8 is a bottom plan view thereof.
The portions of the applicator illustrated in broken lines form no part of the claimed design.

1 Claim, 2 Drawing Sheets



(56)

References Cited

U.S. PATENT DOCUMENTS

7,219,801 B2 5/2007 Christian
7,226,555 B2 6/2007 Weihrauch
7,487,784 B2 2/2009 Gueret
D608,943 S * 1/2010 Limongi D28/7

2005/0236008 A9 10/2005 Gueret
2008/0023020 A1 1/2008 Gueret
2009/0162129 A1 6/2009 Ferrari
2011/0174328 A1 7/2011 Cerutti et al.
2012/0103361 A1 5/2012 Geuther
2012/0148332 A1 6/2012 Stredak et al.

* cited by examiner

FIG. 2

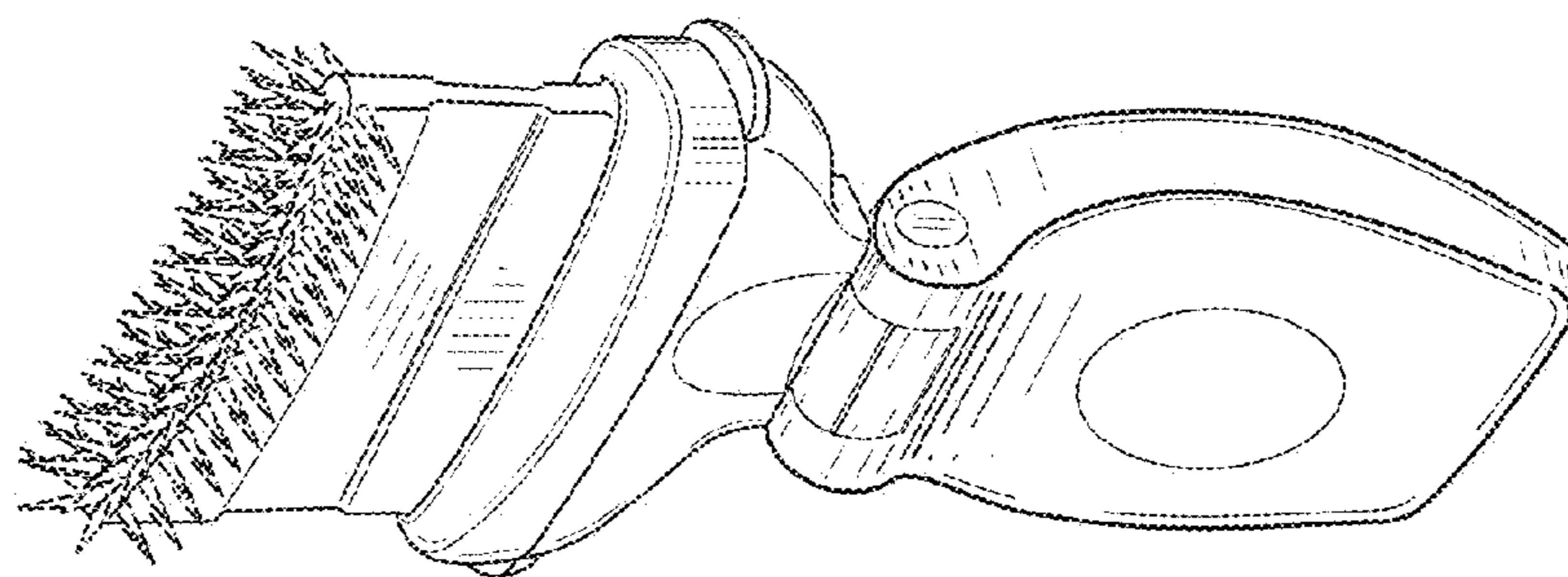


FIG. 1

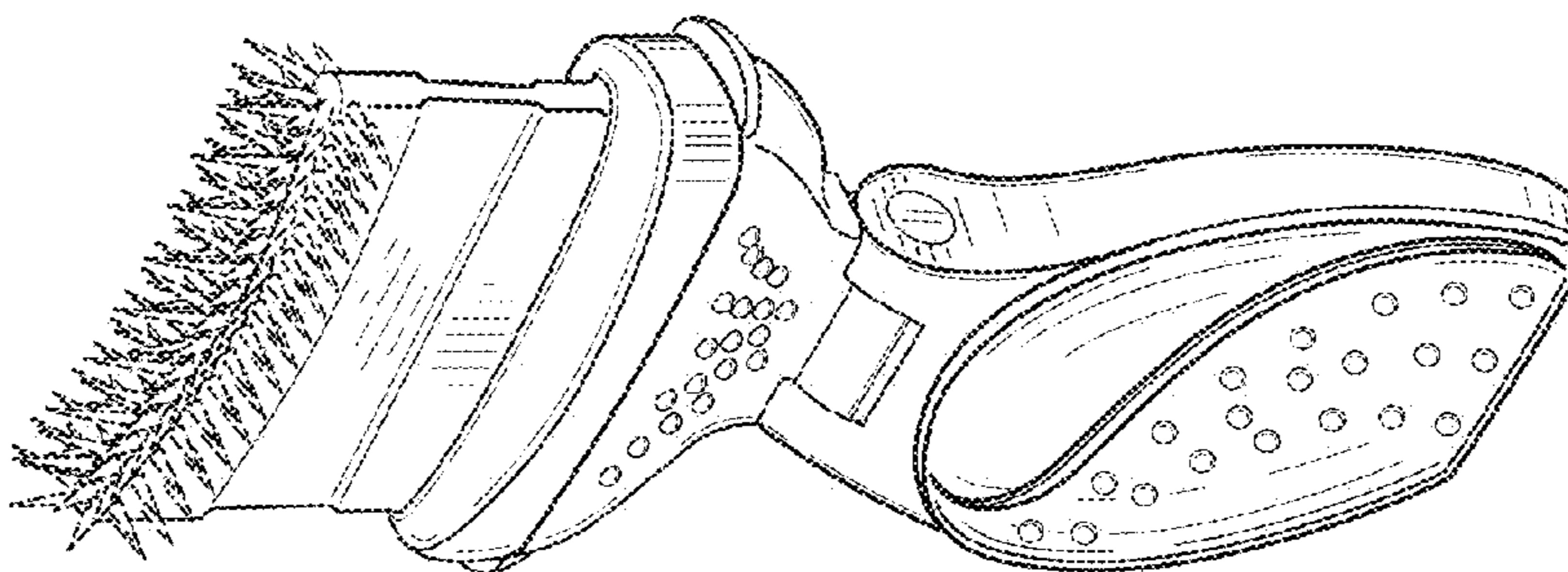


FIG. 3

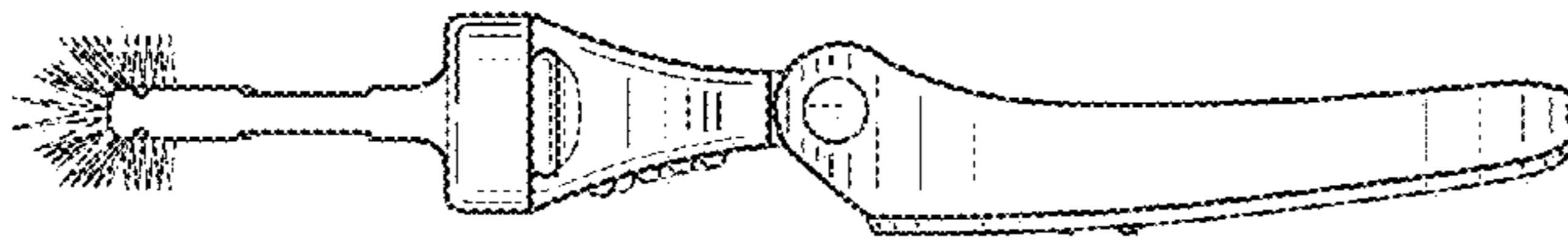


FIG. 4

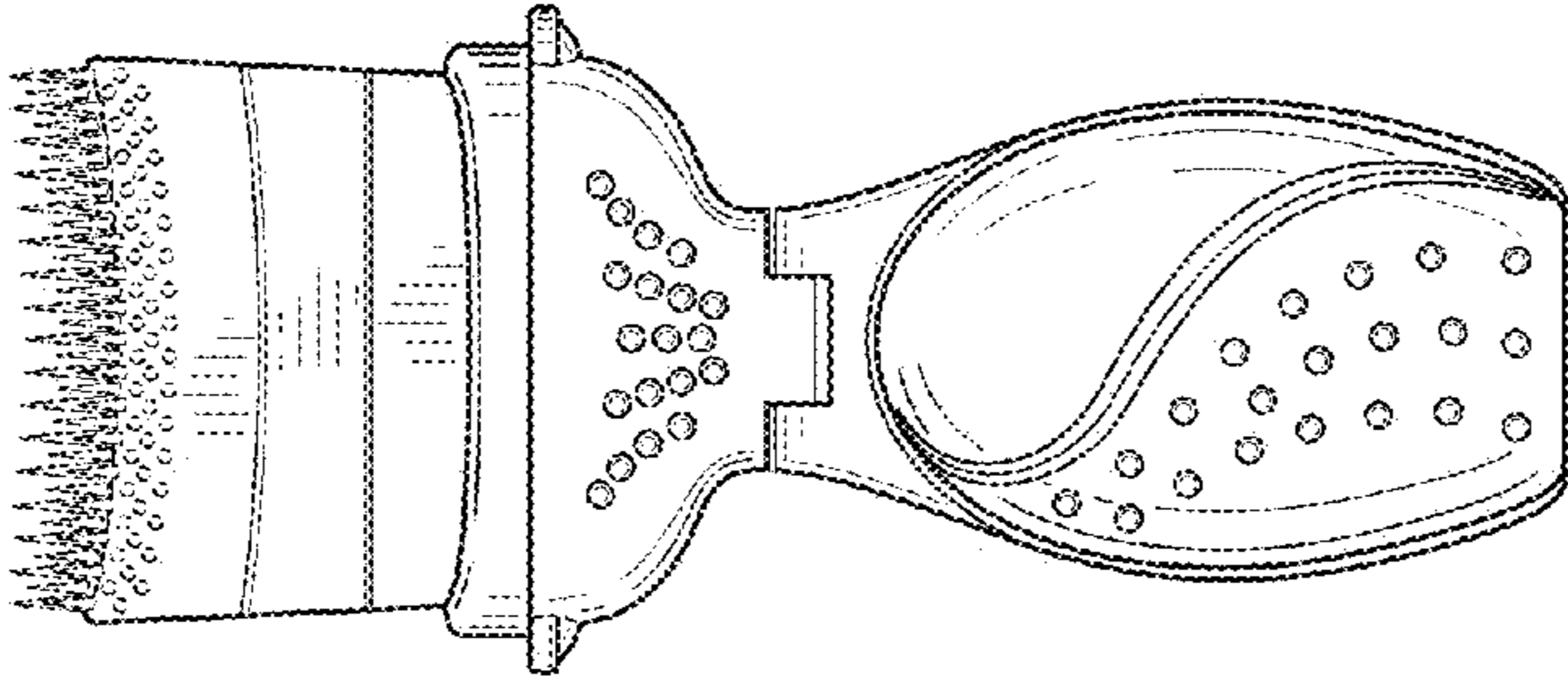


FIG. 5

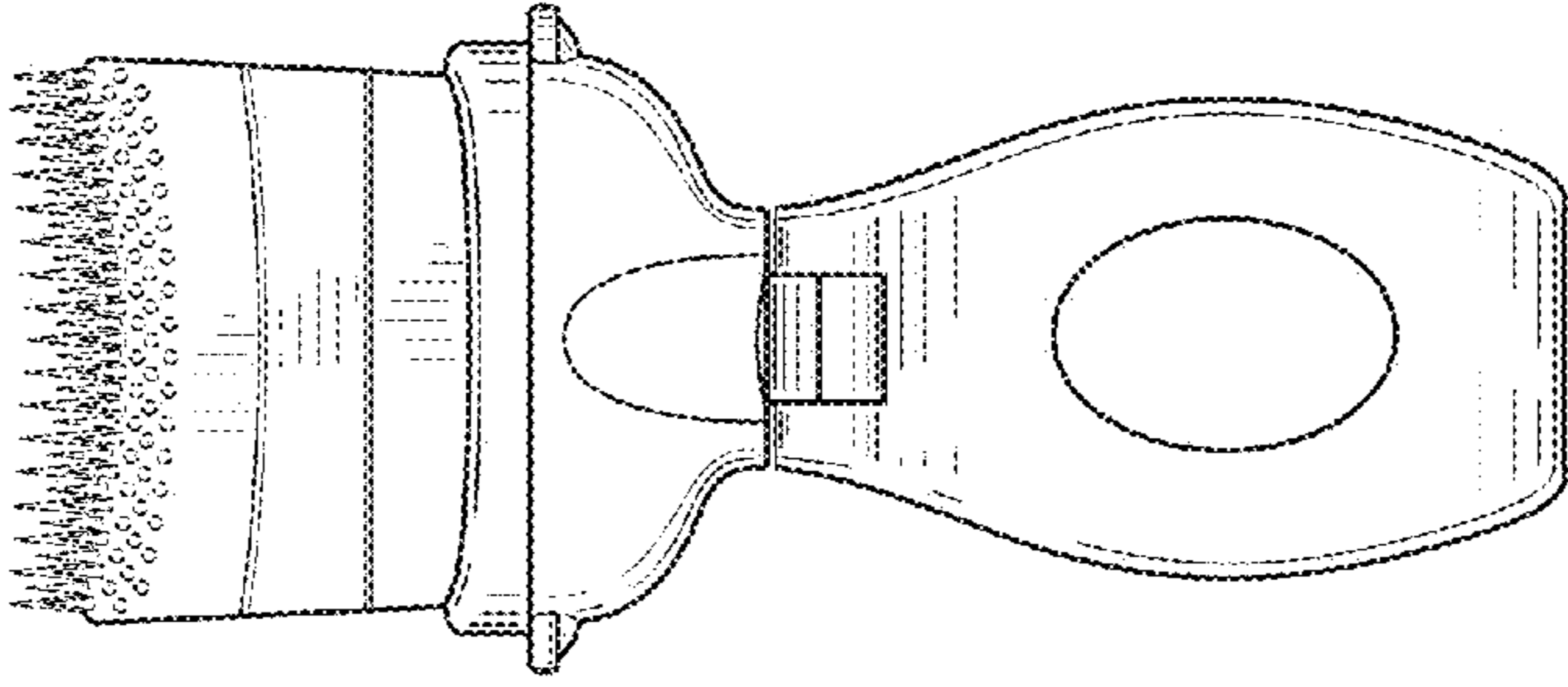


FIG. 6

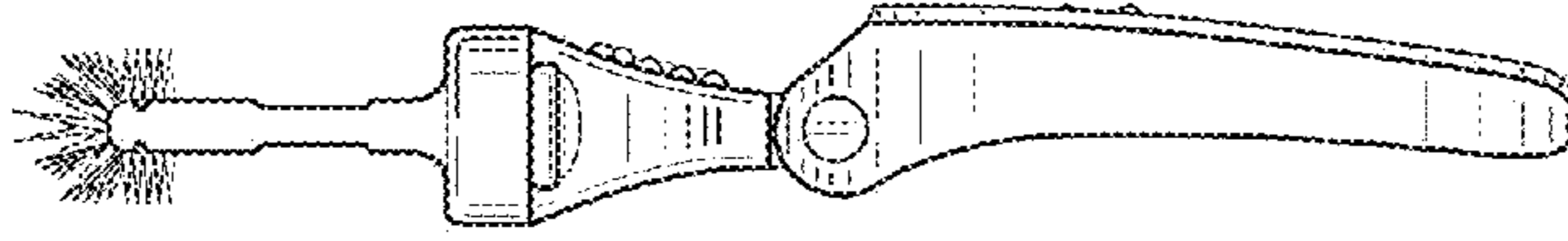


FIG. 7



FIG. 8

