



US00D694016S

(12) **United States Design Patent**
Zmrhal et al.

(10) **Patent No.:** **US D694,016 S**

(45) **Date of Patent:** **** Nov. 26, 2013**

(54) **FOOD BRUSH**

(71) Applicant: **Columbia Insurance Company,**
Omaha, NE (US)

(72) Inventors: **Jill Zmrhal,** Plainfield, IL (US); **Lisa M. Phelps,** Darien, IL (US)

(73) Assignee: **Columbia Insurance Company,**
Omaha, NE (US)

(**) Term: **14 Years**

(21) Appl. No.: **29/437,089**

(22) Filed: **Nov. 13, 2012**

(51) **LOC (9) Cl.** **04-01**

(52) **U.S. Cl.**
USPC **D4/120; D4/136**

(58) **Field of Classification Search**
USPC D4/117, 119, 120, 130, 136; D24/211,
D24/214, 215; D28/63; 15/106, 107, 110,
15/159.1, 160, 167.3, 186-188; 401/28;
601/136, 137

See application file for complete search history.

(56) **References Cited**

U.S. PATENT DOCUMENTS

2,695,416 A	11/1954	Raimo	
D211,851 S *	8/1968	Ballard	D4/120
D251,022 S *	2/1979	McKay	D4/120
D285,627 S *	9/1986	Ballard	D4/120

4,642,835 A	2/1987	Schmitz	
D295,697 S *	5/1988	Kaufman	D4/120
D316,634 S *	5/1991	Vetter	D4/116
5,148,571 A	9/1992	Brazis et al.	
5,664,278 A	9/1997	Reisman	
6,895,629 B1	5/2005	Wenzler	
6,901,622 B2	6/2005	Thompson et al.	

FOREIGN PATENT DOCUMENTS

JP 2012034784 A * 2/2012

* cited by examiner

Primary Examiner — Robin V Webster

Assistant Examiner — Lavone D Tabor

(74) *Attorney, Agent, or Firm* — Neal, Gerber & Eisenberg, LLP

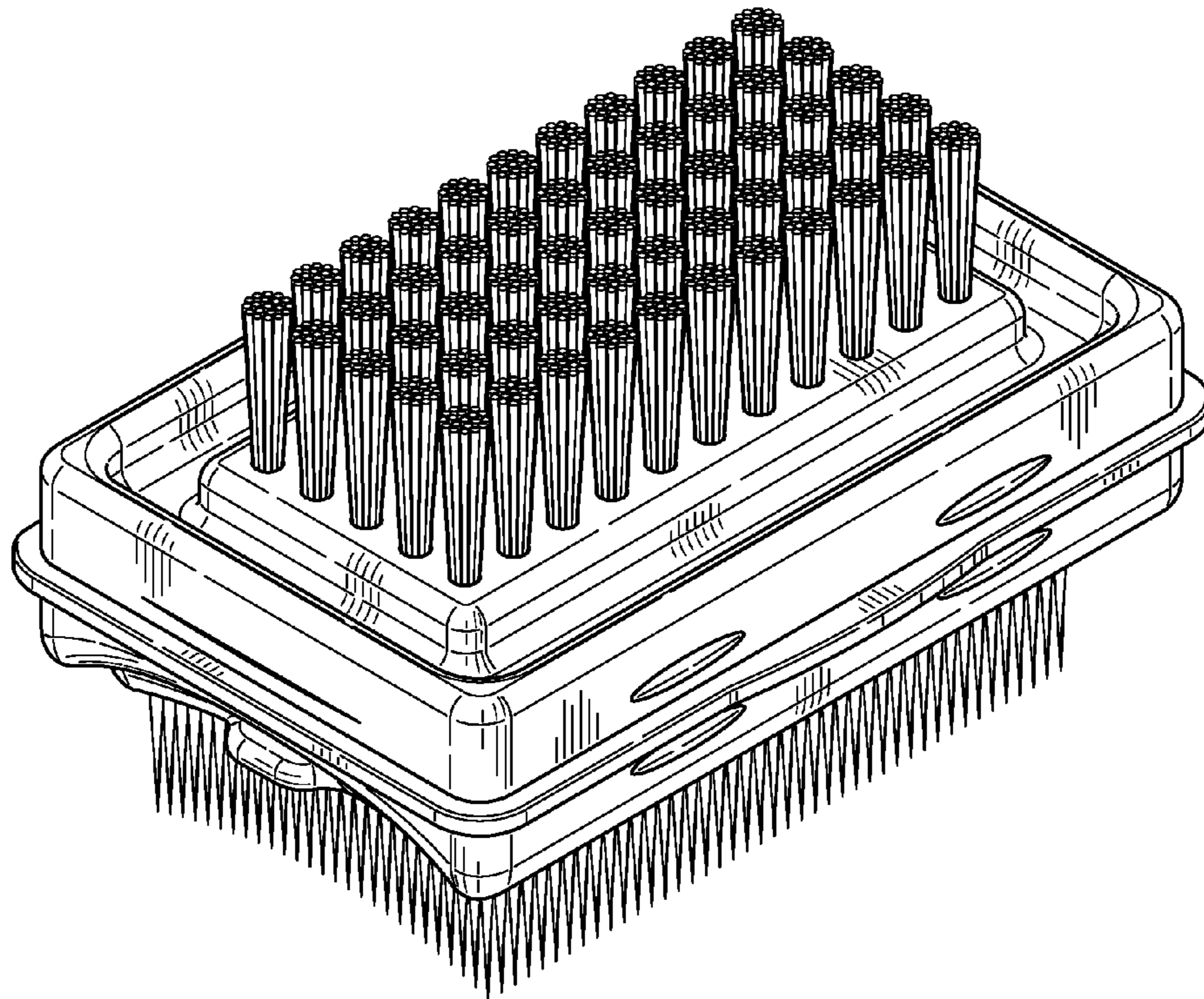
(57) **CLAIM**

The ornamental design for a food brush, as shown and described.

DESCRIPTION

FIG. 1 is a top perspective view of a food brush showing our new design;
 FIG. 2 is a bottom perspective view thereof;
 FIG. 3 is an enlarged top plan view thereof;
 FIG. 4 is an enlarged bottom plan view thereof;
 FIG. 5 is an enlarged end view thereof, the opposite end being identical thereto; and,
 FIG. 6 is an enlarged side view thereof, the opposite side being identical thereto.

1 Claim, 3 Drawing Sheets



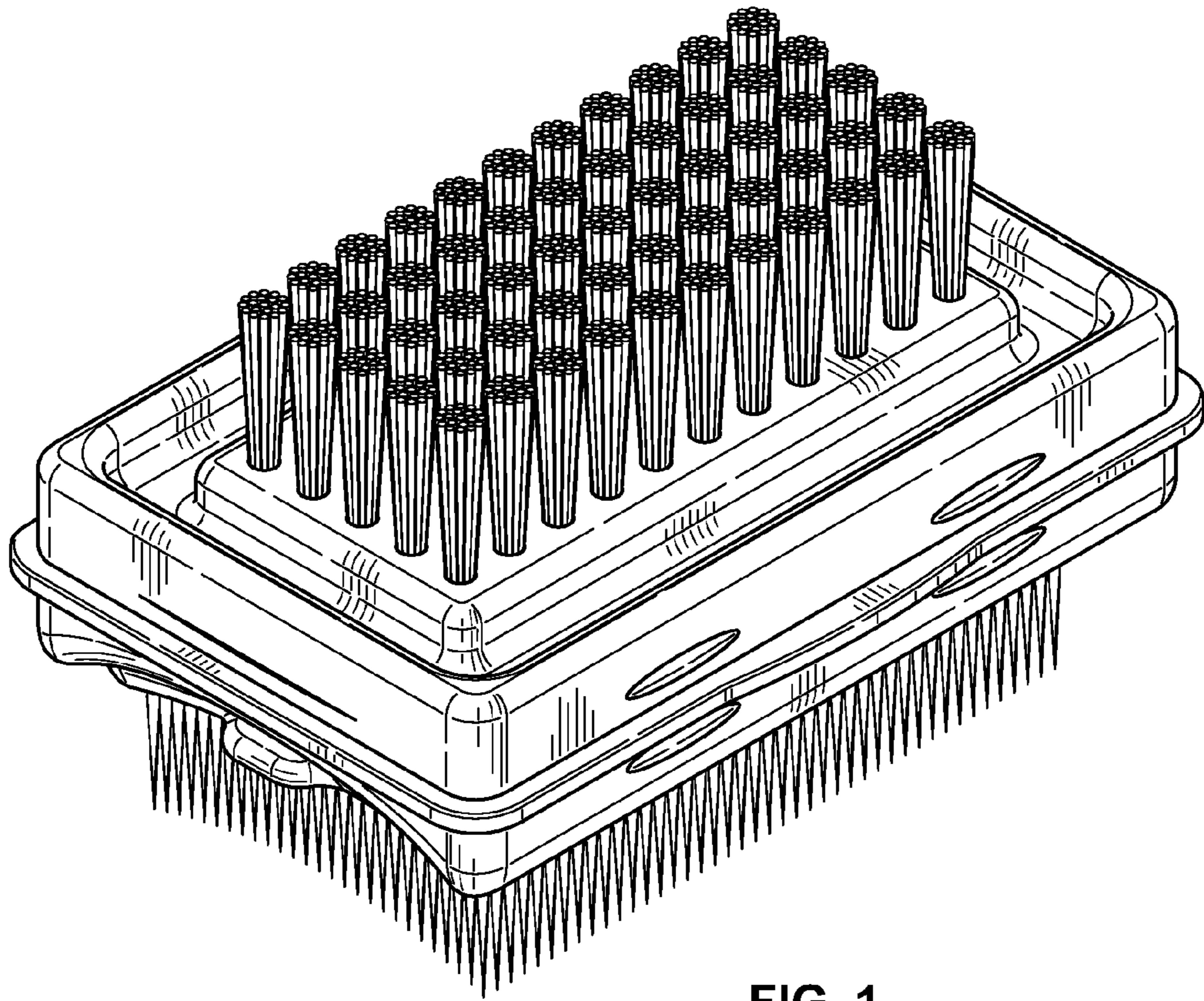


FIG. 1

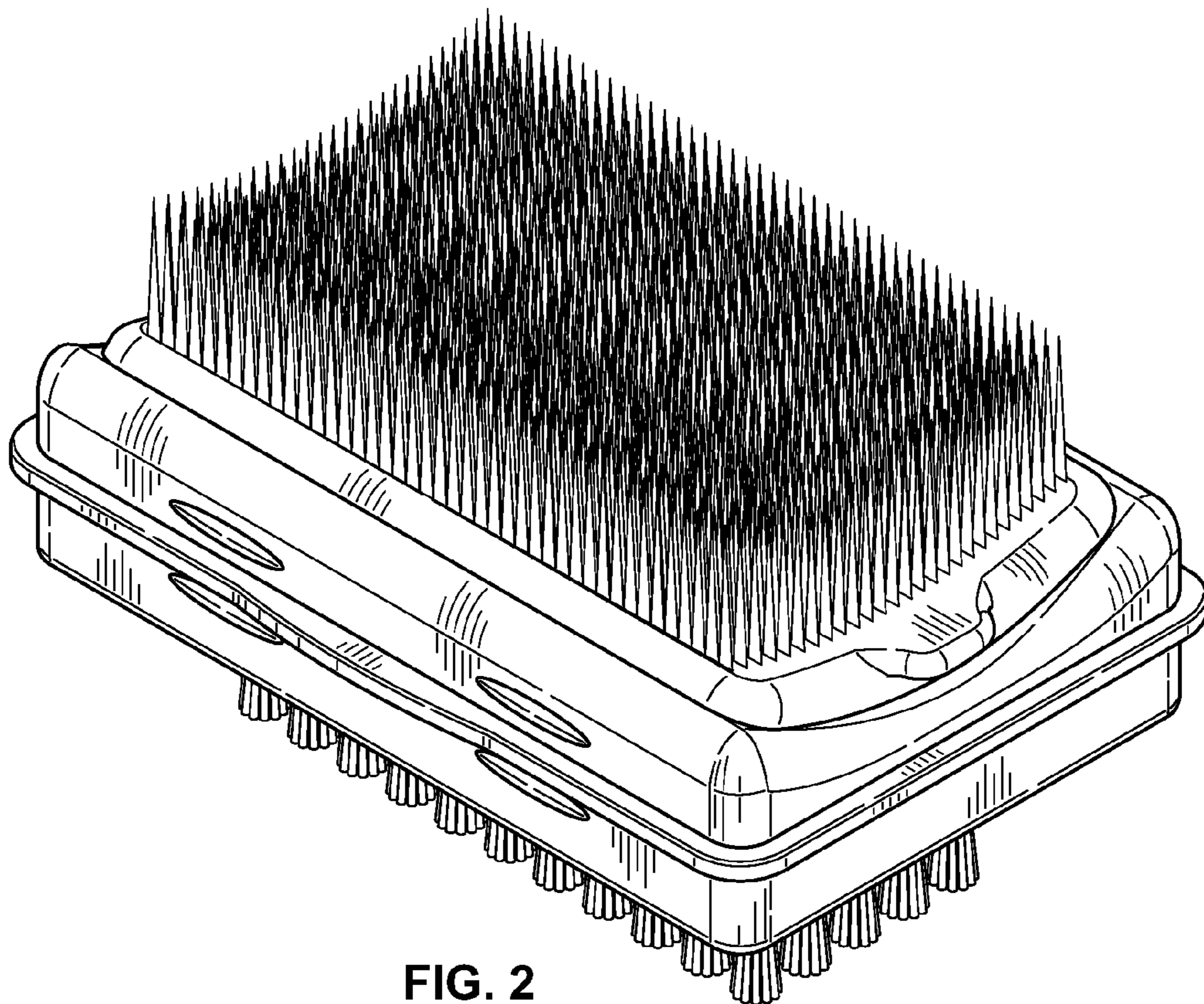


FIG. 2

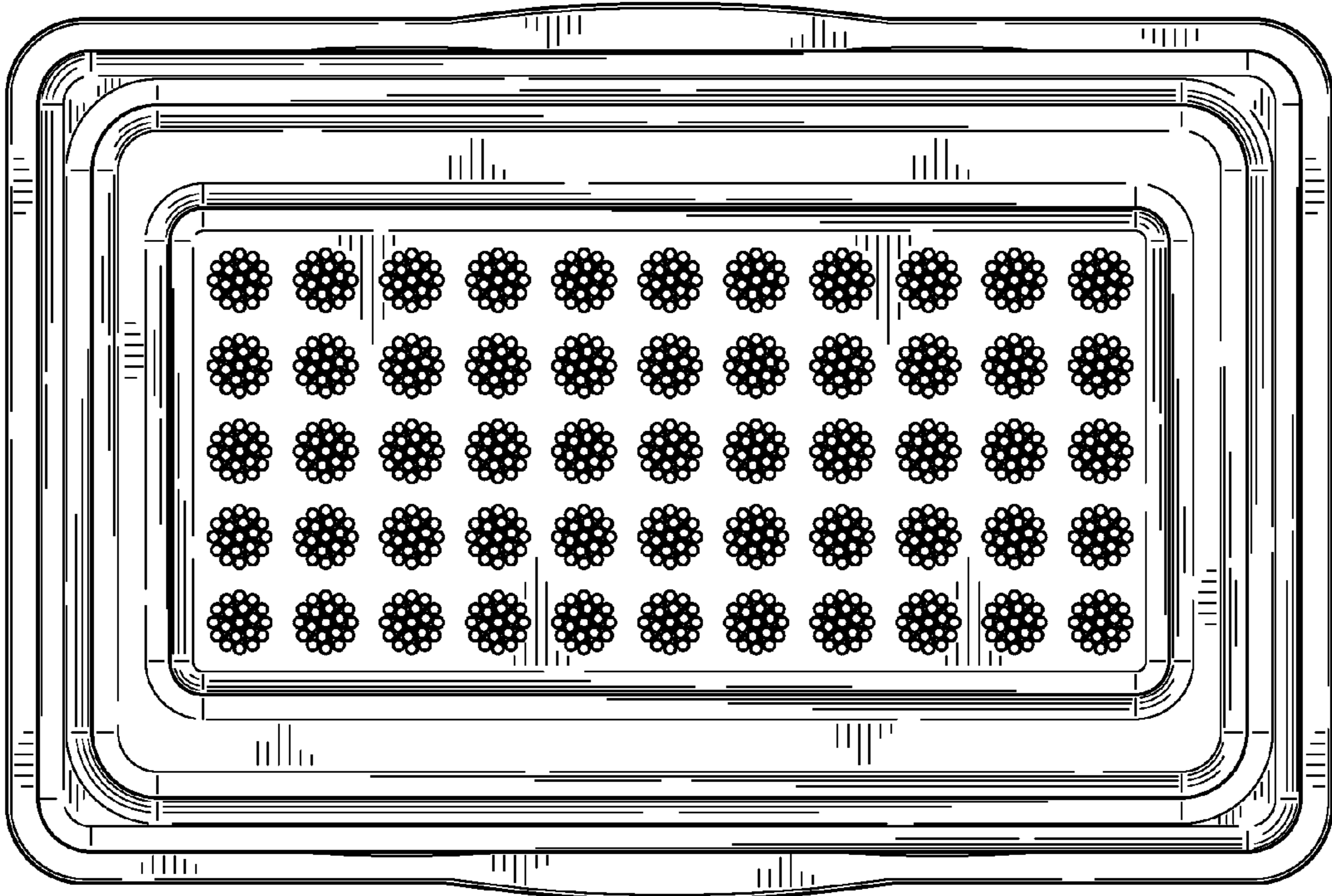


FIG. 3

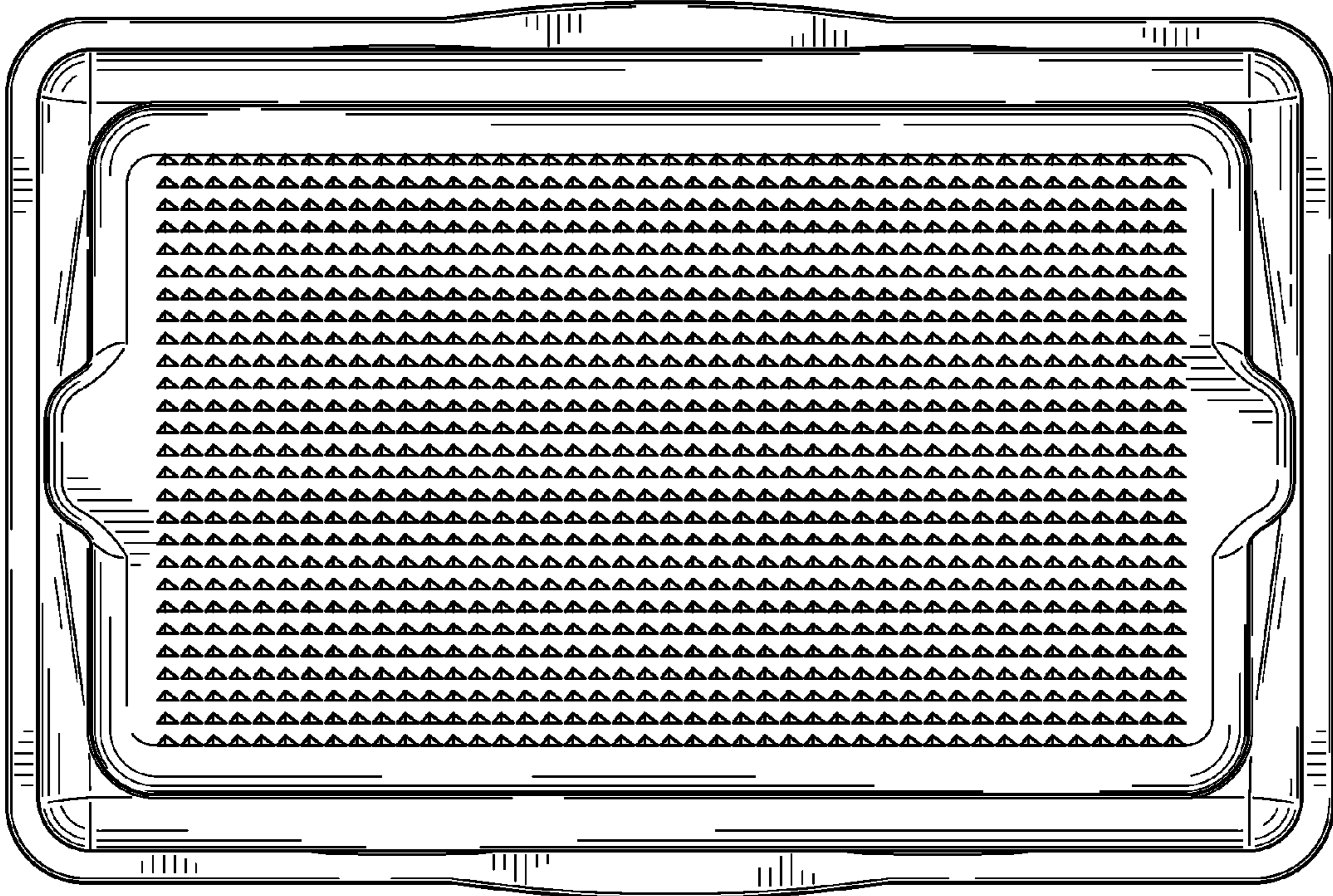


FIG. 4

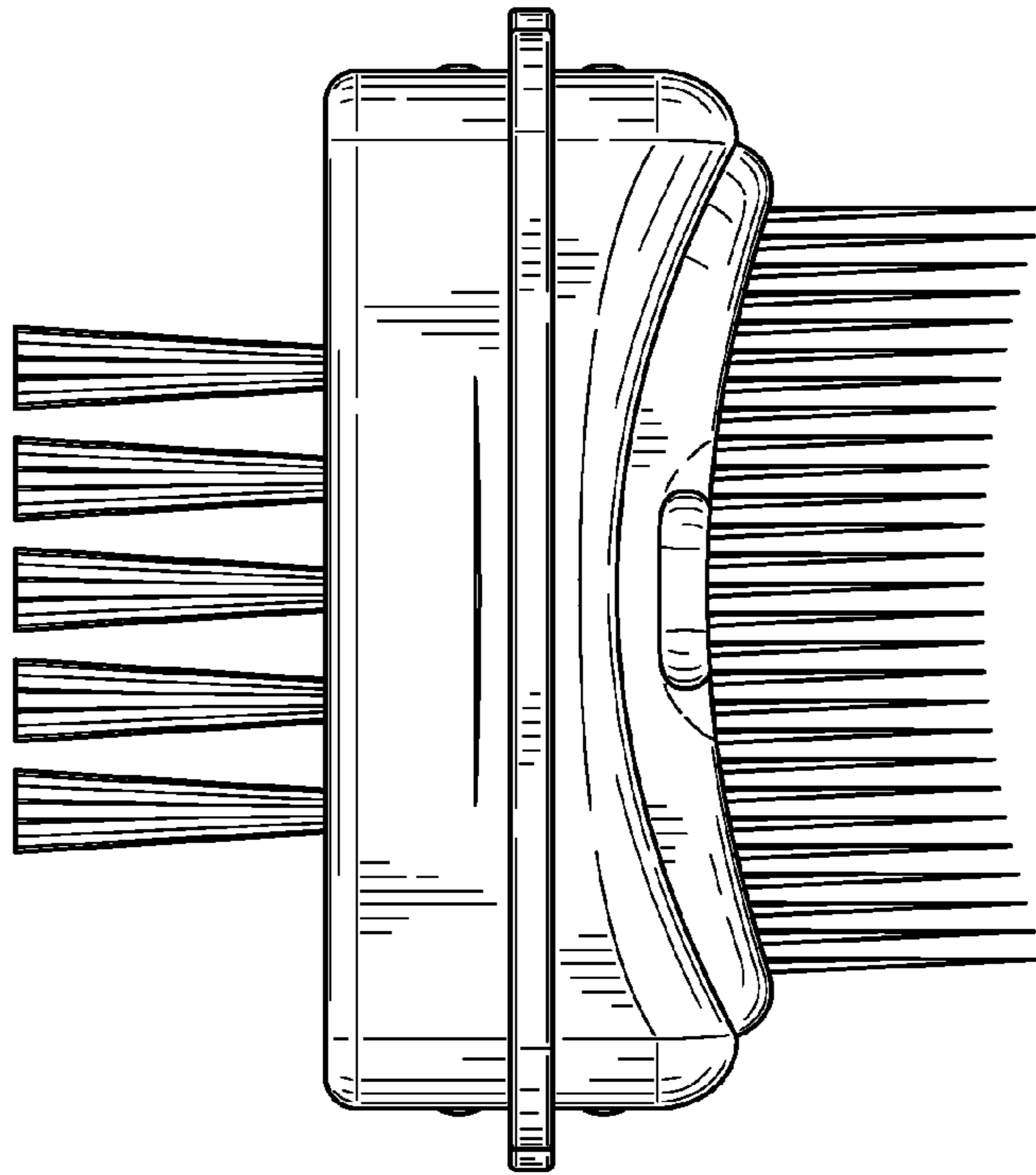


FIG. 5

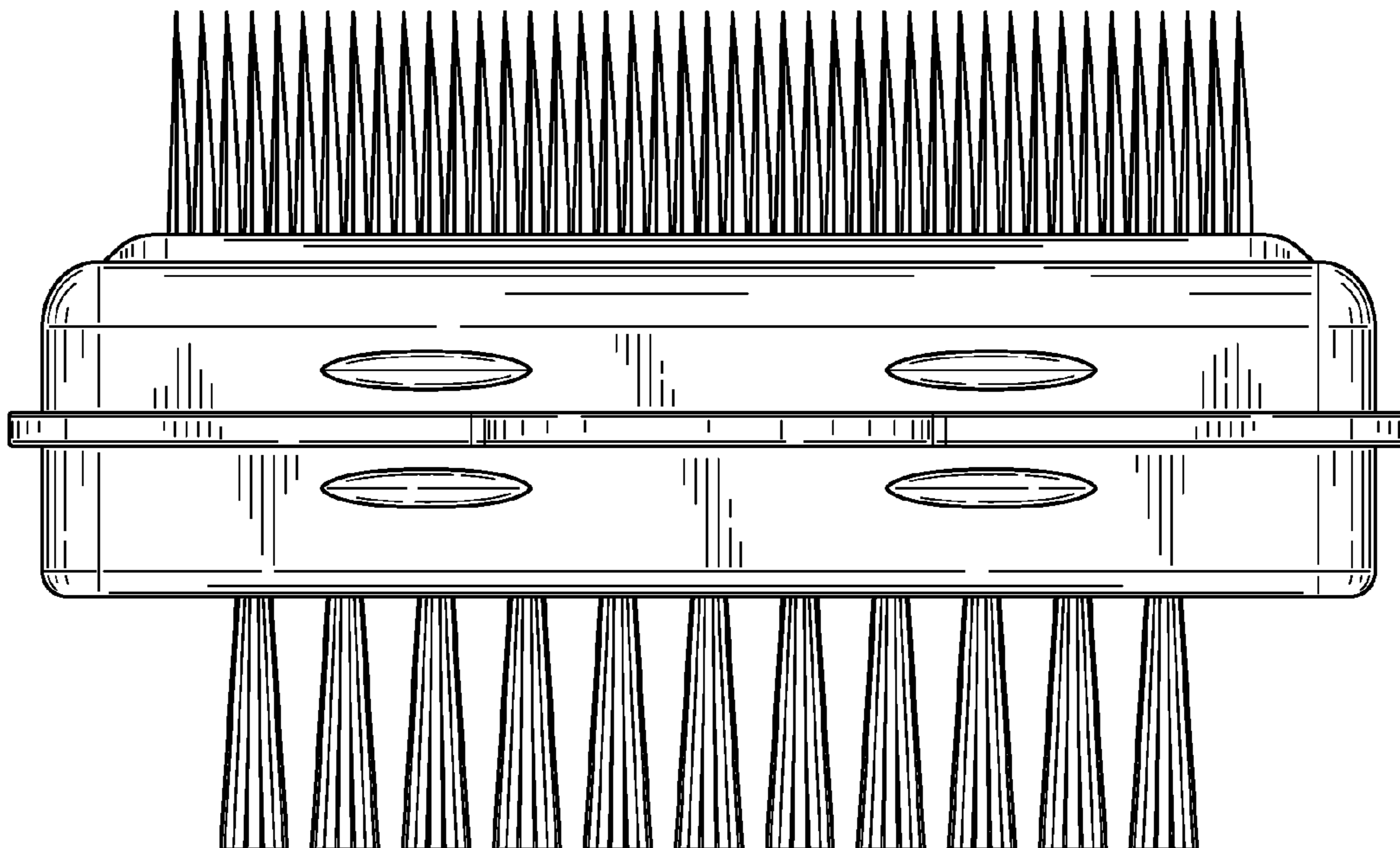


FIG. 6