



US00D694015S

(12) **United States Design Patent**
Tsai

(10) **Patent No.:** **US D694,015 S**
(45) **Date of Patent:** **** Nov. 26, 2013**

- (54) **HANDGRIP FOR BASKET**
- (71) Applicant: **Dongguan Master United Plastic & Hardware Products Co., Ltd.,**
Dongguan (CN)
- (72) Inventor: **Tsung-Yu Tsai, Changhua (TW)**
- (73) Assignee: **Dongguan Master United Plastic & Hardware Products Co., Ltd.,**
Dongguan, Guandong Province (CN)
- (**) Term: **14 Years**
- (21) Appl. No.: **29/439,025**

D628,444 S *	12/2010	Snider	D7/600.1
D628,445 S *	12/2010	Snider	D7/600.1
D644,069 S *	8/2011	Tiemann	D7/600.4
D644,491 S *	9/2011	Snider	D7/600.1
D653,876 S *	2/2012	Snider	D6/462
8,141,737 B1 *	3/2012	Tsai	220/485
D657,588 S *	4/2012	Snider	D6/462
D658,881 S *	5/2012	Post et al.	D3/306
D660,652 S *	5/2012	Tiemann	D7/600.1
D661,951 S *	6/2012	Tiemann	D7/600.1
D673,369 S *	1/2013	Post et al.	D3/306
D675,850 S *	2/2013	Tawil	D6/705
D676,715 S *	2/2013	Tsai	D7/600.1
D680,381 S *	4/2013	Tsai	D7/600.1
D681,398 S *	5/2013	Tsai	D7/600.1
D683,963 S *	6/2013	Tsai	D3/304
D688,487 S *	8/2013	Hertaus	D6/705

- (22) Filed: **Dec. 5, 2012**
- (51) **LOC (9) Cl.** **03-01**
- (52) **U.S. Cl.**
USPC **D3/307**
- (58) **Field of Classification Search**
USPC D3/20, 201–202, 203.1, 203.3,
D3/205–206, 273, 304–315; D6/475–476,
D6/525; D19/86, 90, 92, 100; 206/203,
206/214, 215, 822, 307.1; 229/100, 406
See application file for complete search history.

* cited by examiner

Primary Examiner — Kelley Donnelly

(74) *Attorney, Agent, or Firm* — Muncy, Geissler, Olds & Lowe, PLLC

(56) **References Cited**

U.S. PATENT DOCUMENTS

D375,201 S *	11/1996	Karr et al.	D3/318
D376,452 S *	12/1996	Breen	D32/37
D419,302 S *	1/2000	Hardy et al.	D3/306
D472,735 S *	4/2003	Haugen	D6/462
D547,094 S *	7/2007	Klein et al.	D6/462
D624,753 S *	10/2010	Post et al.	D3/306

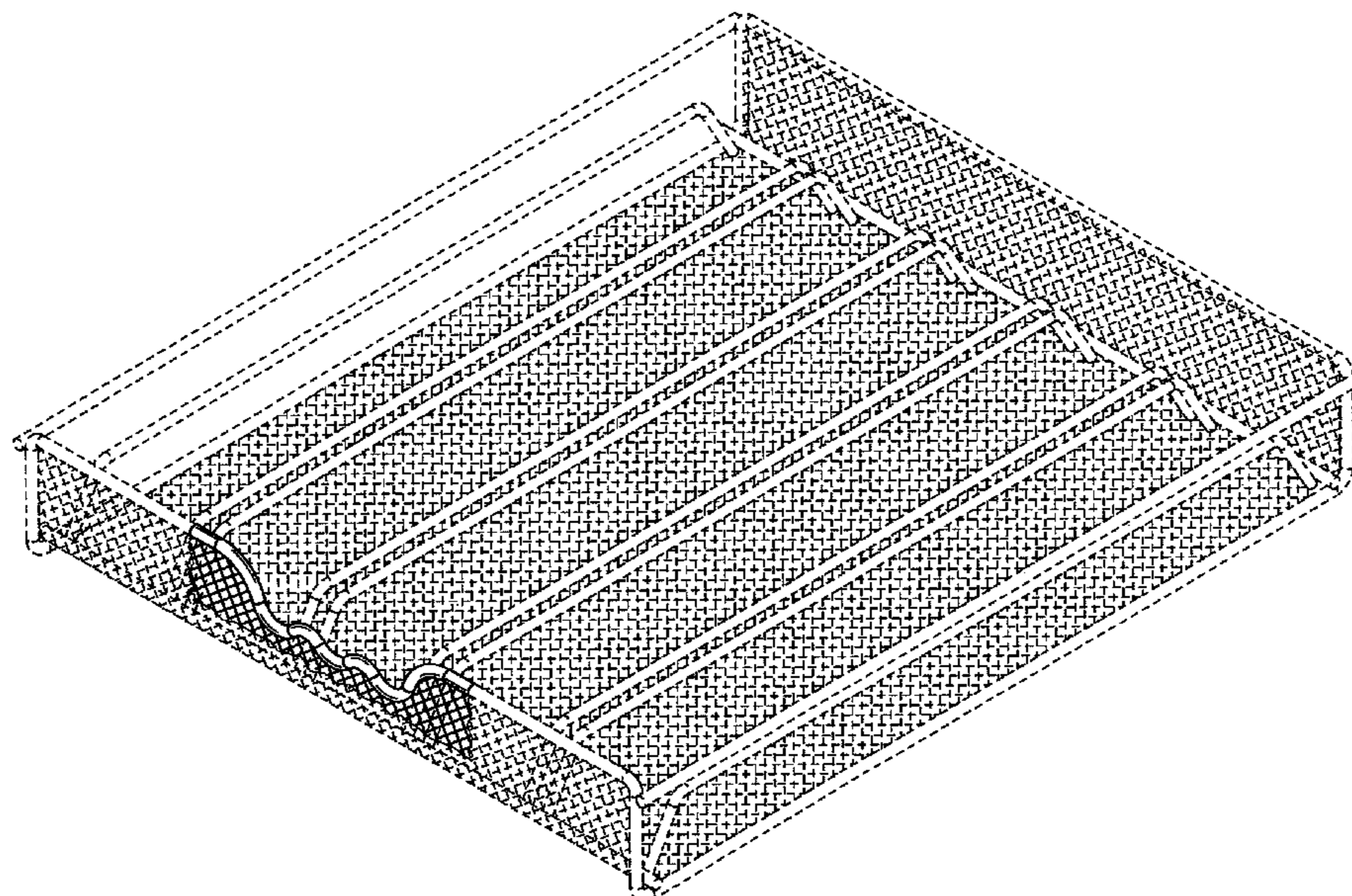
(57) **CLAIM**

The ornamental design for a handgrip for basket, as shown and described.

DESCRIPTION

FIG. 1 shows a perspective view of the present design.
 FIG. 2 shows a front view of the present design,
 FIG. 3 shows a rear view of the present design.
 FIG. 4 shows a left side view of the present design
 FIG. 5 shows a right side view of the present design.
 FIG. 6 shows a top view of the present design; and,
 FIG. 7 shows a bottom view of the present design.

1 Claim, 5 Drawing Sheets



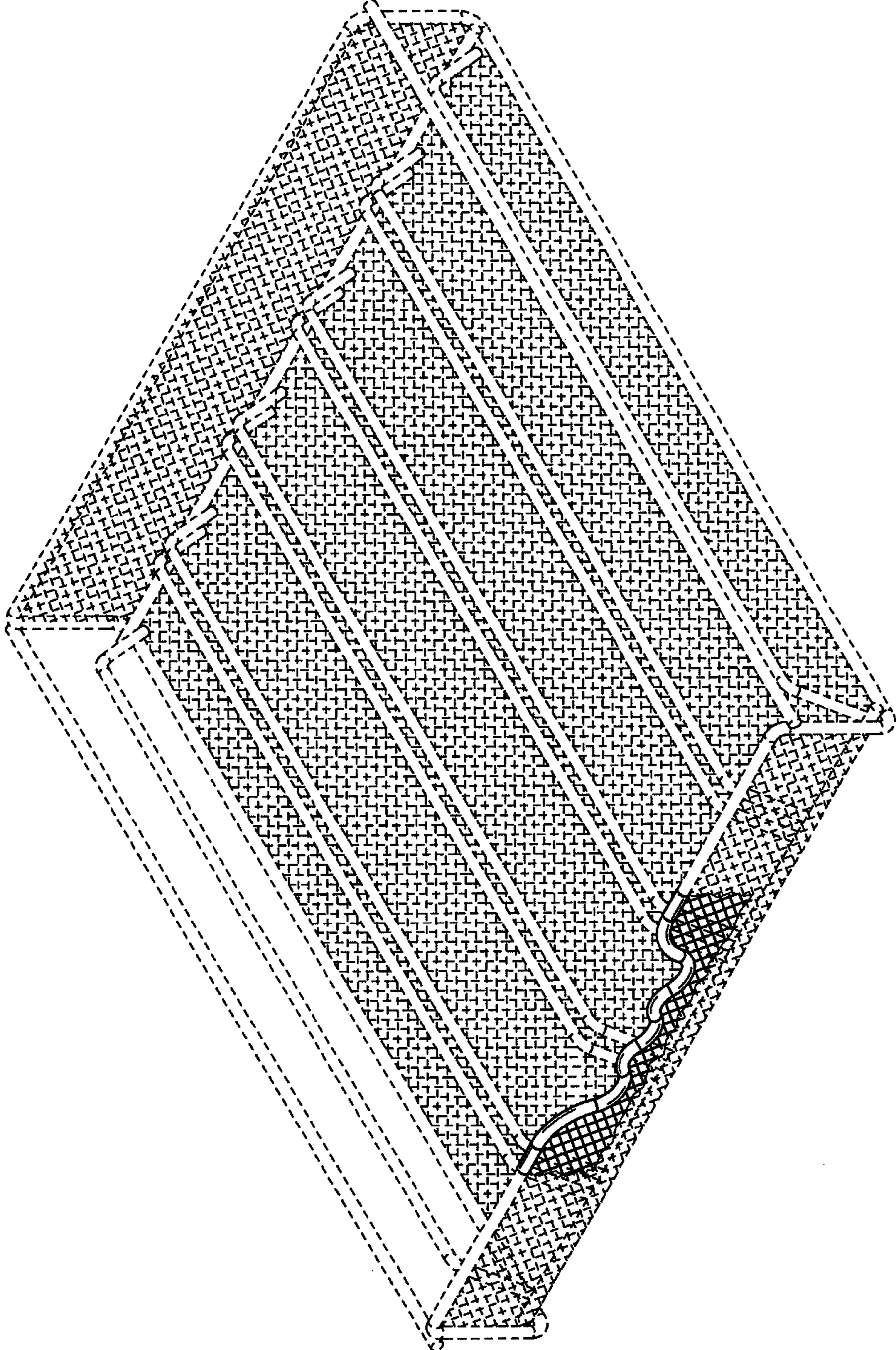


FIG. 1

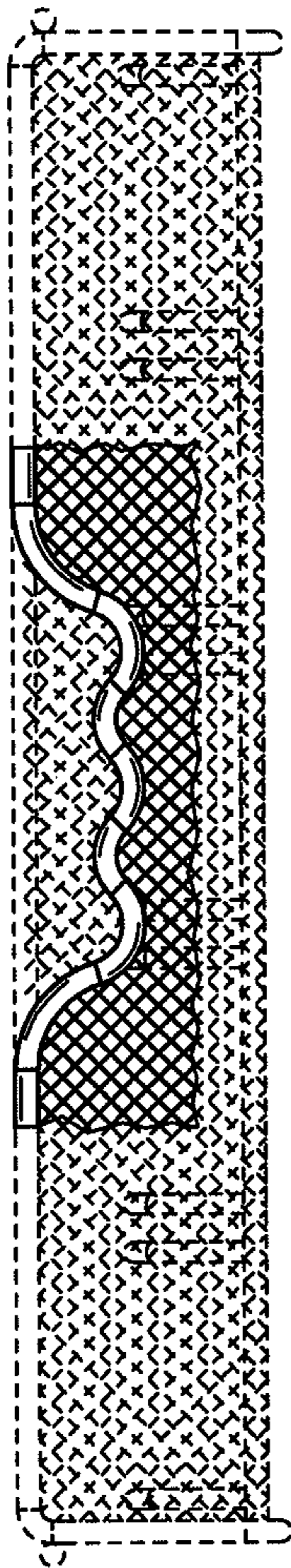


FIG. 2

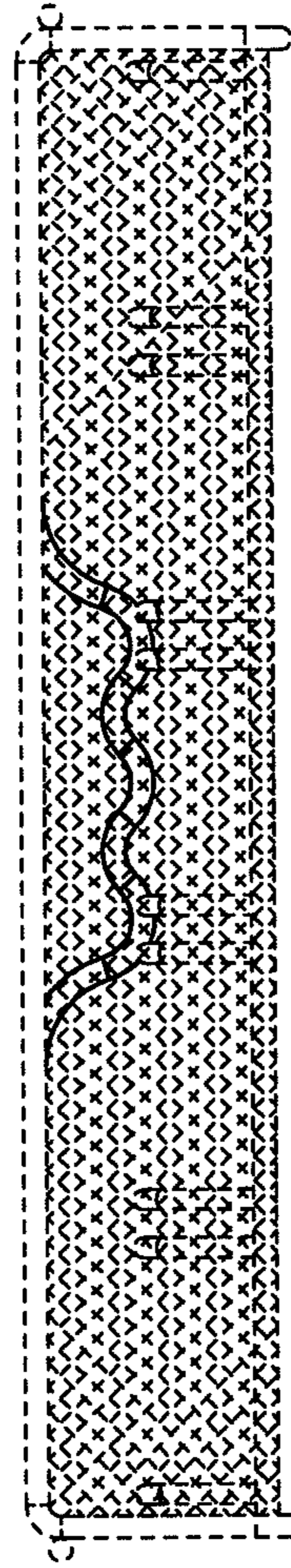


FIG. 3

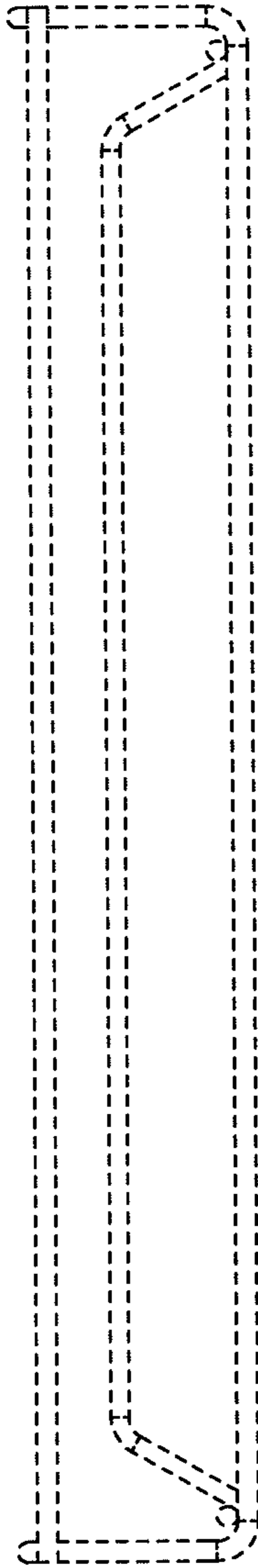


FIG. 4

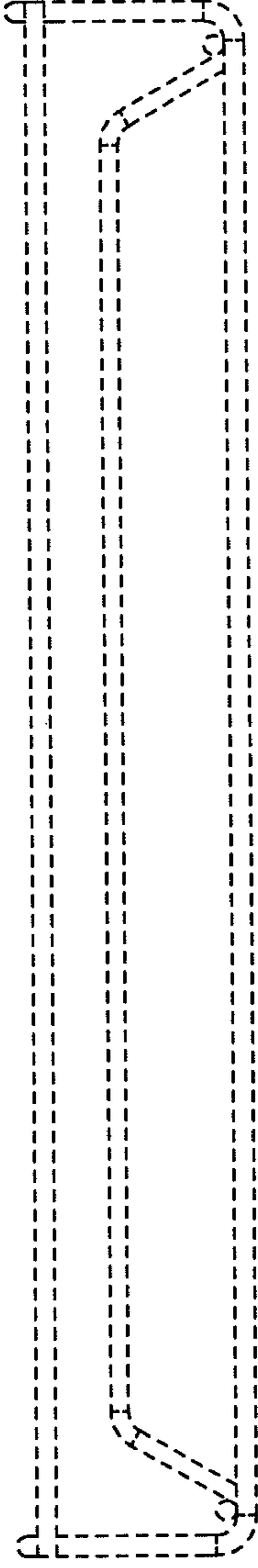


FIG. 5

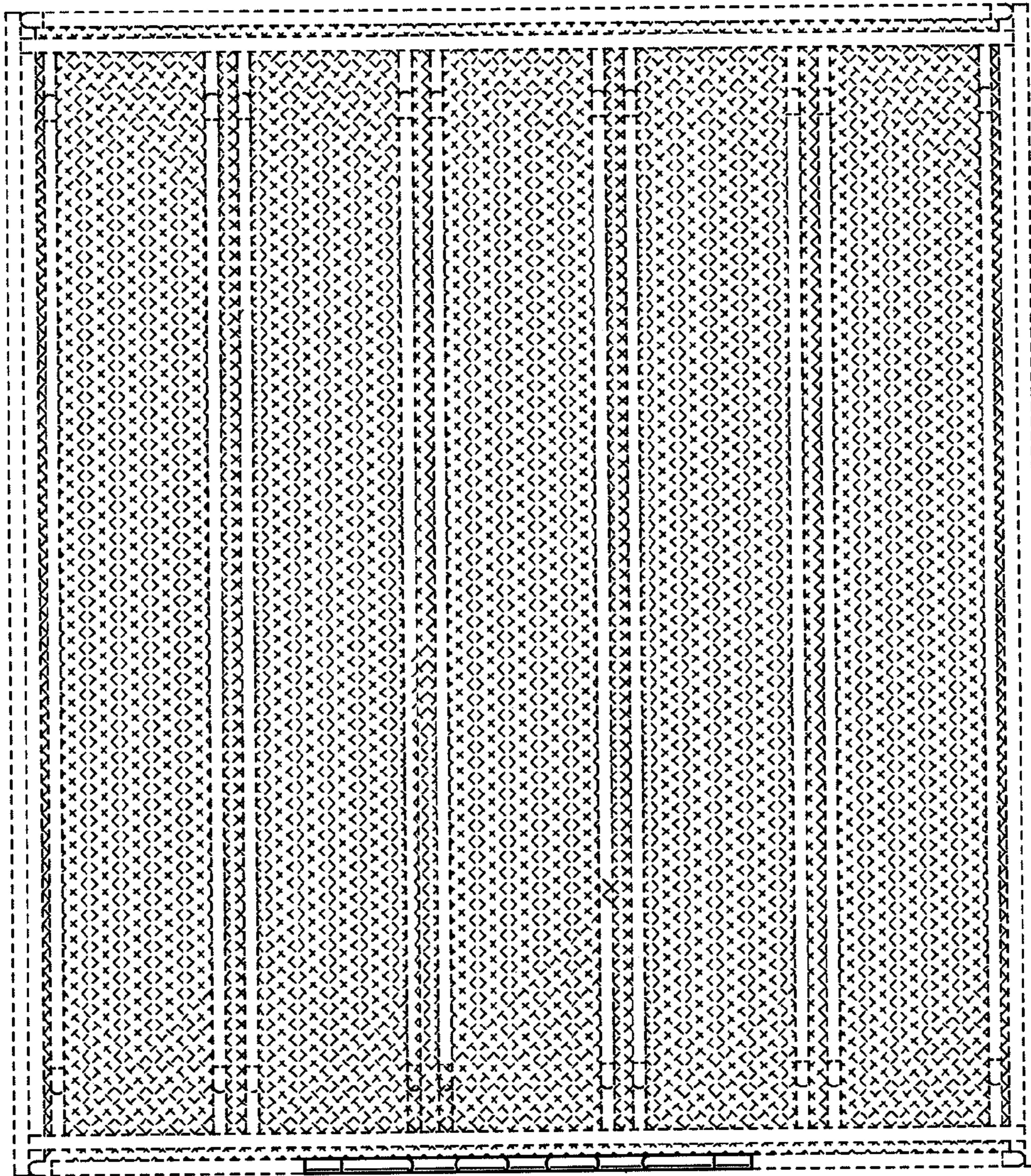


FIG. 6

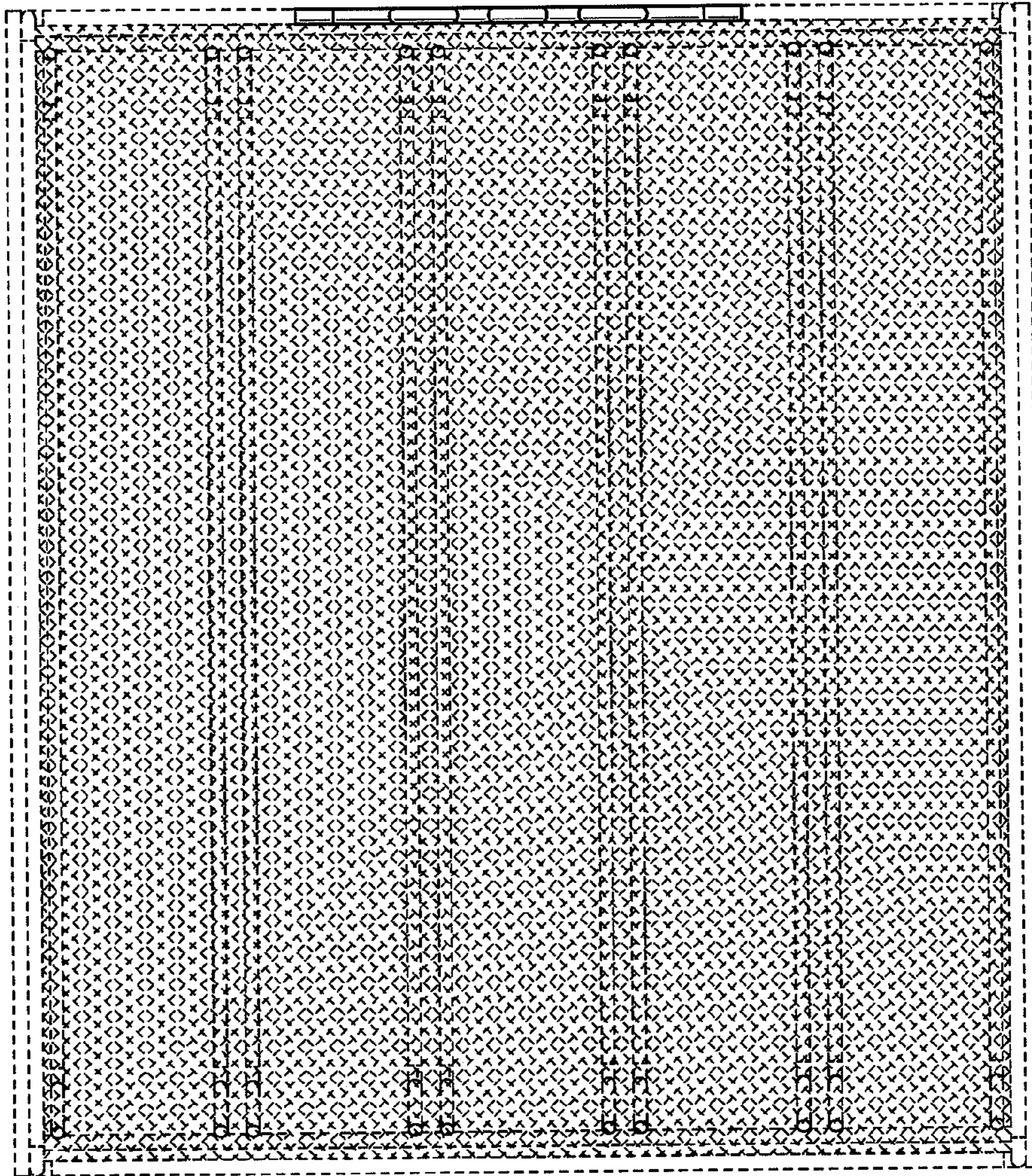


FIG. 7