

US00D694014S

(12) **United States Design Patent**  
**Tsai**

(10) **Patent No.:** **US D694,014 S**  
(45) **Date of Patent:** **\*\* Nov. 26, 2013**

(54) **HANDGRIP FOR BASKET**  
(71) Applicant: **Dongguan Master United Plastic & Hardware Products Co., Ltd.,**  
Dongguan (CN)  
(72) Inventor: **Tsung-Yu Tsai, Changhua (TW)**  
(73) Assignee: **Dongguan Master United Plastic & Hardware Products Co., Ltd.,**  
Dongguan, Guandong Province (CN)  
(\*\*) Term: **14 Years**  
(21) Appl. No.: **29/438,889**

D628,444 S \* 12/2010 Snider ..... D7/600.1  
D628,445 S \* 12/2010 Snider ..... D7/600.1  
D644,069 S \* 8/2011 Tiemann ..... D7/600.4  
D644,491 S \* 9/2011 Snider ..... D7/600.1  
D653,876 S \* 2/2012 Snider ..... D6/462  
8,141,737 B1 \* 3/2012 Tsai ..... 220/485  
D657,588 S \* 4/2012 Snider ..... D6/462  
D658,881 S \* 5/2012 Post et al. .... D3/306  
D660,652 S \* 5/2012 Tiemann ..... D7/600.1  
D661,951 S \* 6/2012 Tiemann ..... D7/600.1  
D673,369 S \* 1/2013 Post et al. .... D3/306  
D675,850 S \* 2/2013 Tawil ..... D6/705  
D676,715 S \* 2/2013 Tsai ..... D7/600.1  
D680,381 S \* 4/2013 Tsai ..... D7/600.1  
D681,398 S \* 5/2013 Tsai ..... D7/600.1  
D683,963 S \* 6/2013 Tsai ..... D3/304  
D688,487 S \* 8/2013 Hertaus ..... D6/705

\* cited by examiner

(22) Filed: **Dec. 4, 2012**  
(51) **LOC (9) Cl.** ..... **03-01**  
(52) **U.S. Cl.**  
USPC ..... **D3/307**  
(58) **Field of Classification Search**  
USPC ..... D3/20, 201–202, 203.1, 203.3,  
D3/205–206, 273, 304–315; D6/475–476,  
D6/525; D19/86, 90, 92, 100; 206/203,  
206/214, 215, 822, 307.1; 229/100, 406  
See application file for complete search history.

*Primary Examiner* — Kelley Donnelly  
(74) *Attorney, Agent, or Firm* — Muncy, Geissler, Olds & Law, PLLC

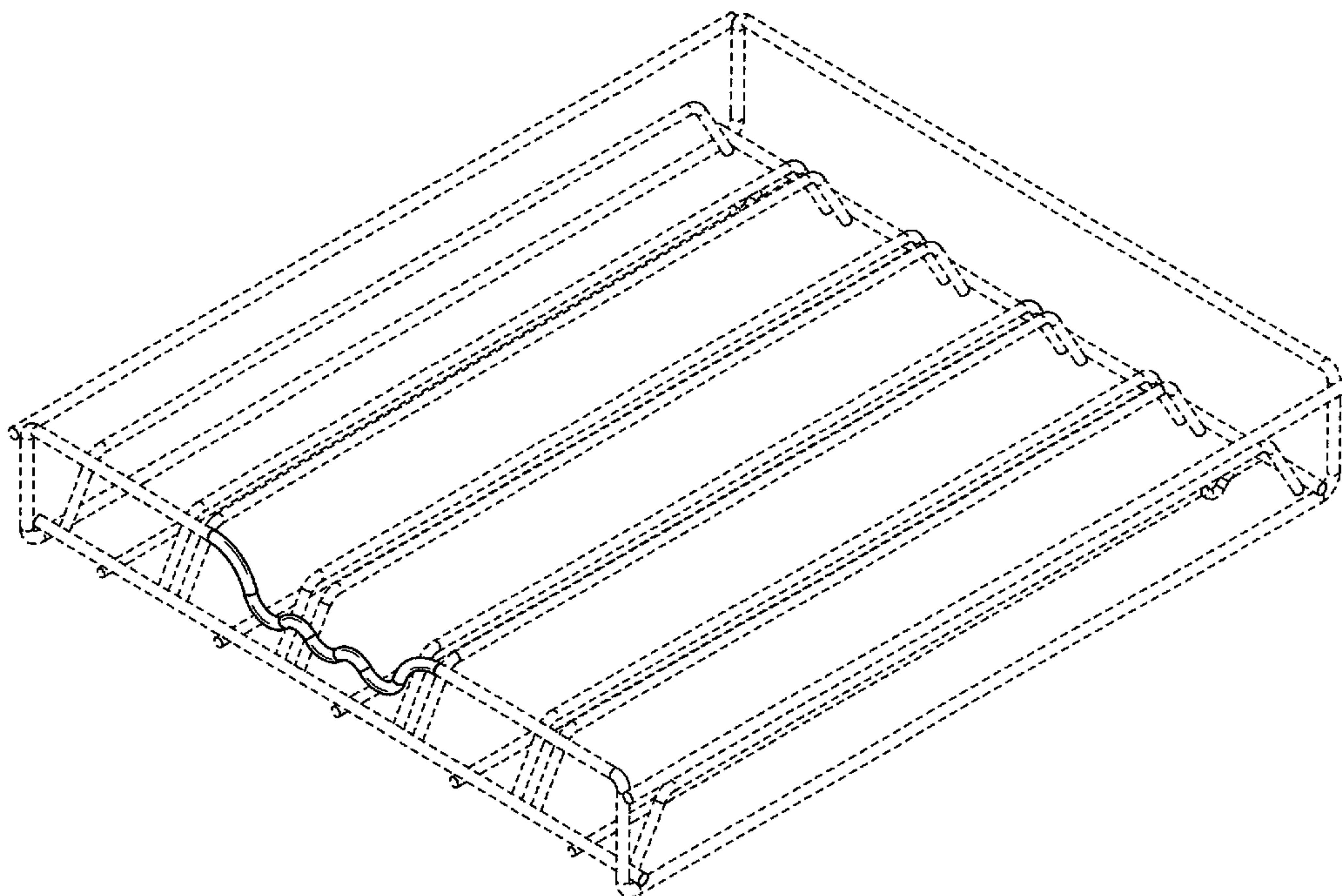
(56) **References Cited**  
U.S. PATENT DOCUMENTS  
D375,201 S \* 11/1996 Karr et al. .... D3/318  
D376,452 S \* 12/1996 Breen ..... D32/37  
D419,302 S \* 1/2000 Hardy et al. .... D3/306  
D472,735 S \* 4/2003 Haugen ..... D6/462  
D547,094 S \* 7/2007 Klein et al. .... D6/462  
D624,753 S \* 10/2010 Post et al. .... D3/306

(57) **CLAIM**  
The ornamental design for a handgrip for basket, as shown and described.

**DESCRIPTION**

FIG. 1 shows a perspective view of the present design.  
FIG. 2 shows a front view of the present design,  
FIG. 3 shows a rear view of the present design.  
FIG. 4 shows a left side view of the present design  
FIG. 5 shows a right side view of the present design.  
FIG. 6 shows a top view of the present design; and,  
FIG. 7 shows a bottom view of the present design.

**1 Claim, 5 Drawing Sheets**



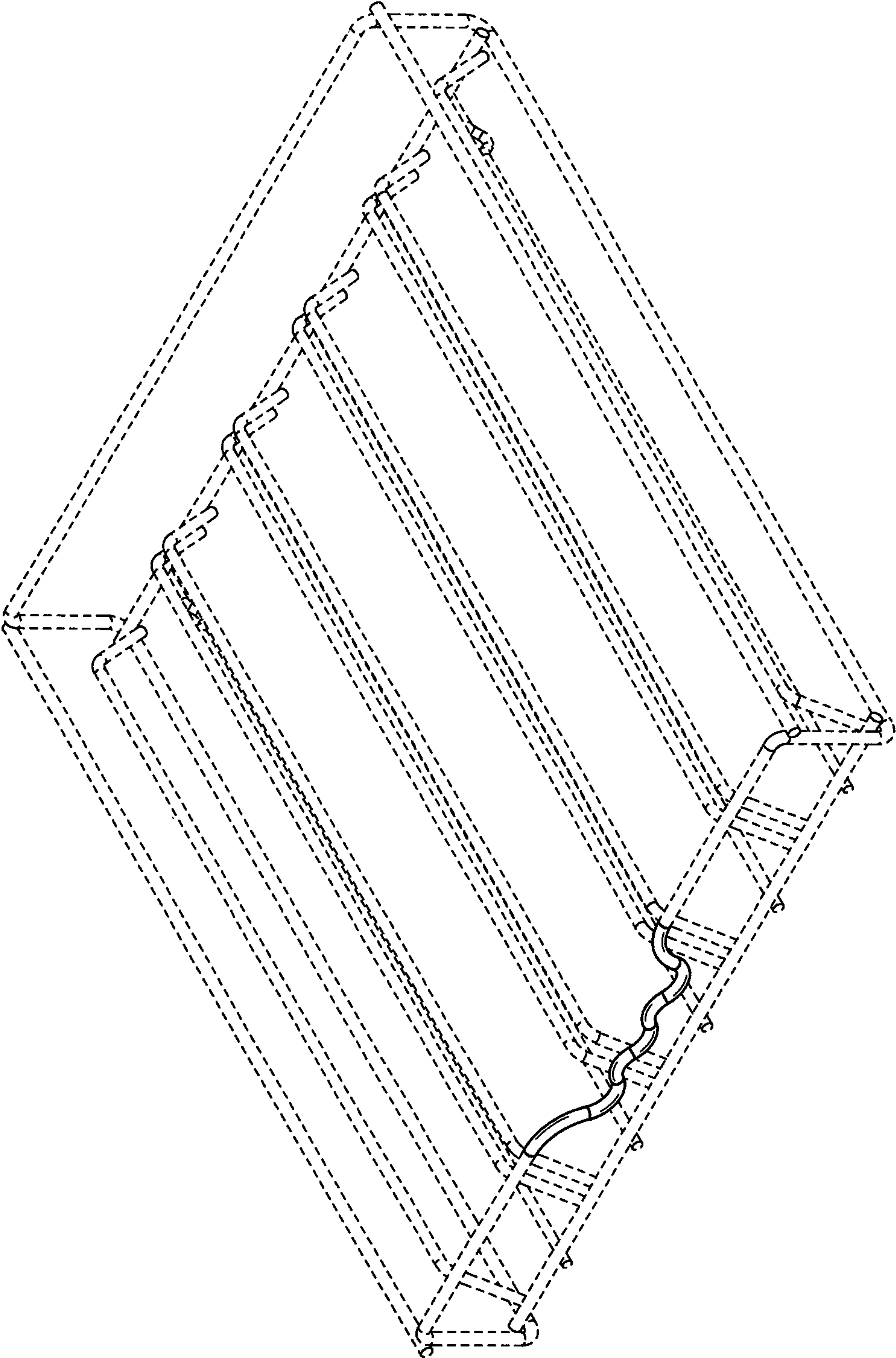


FIG. 1

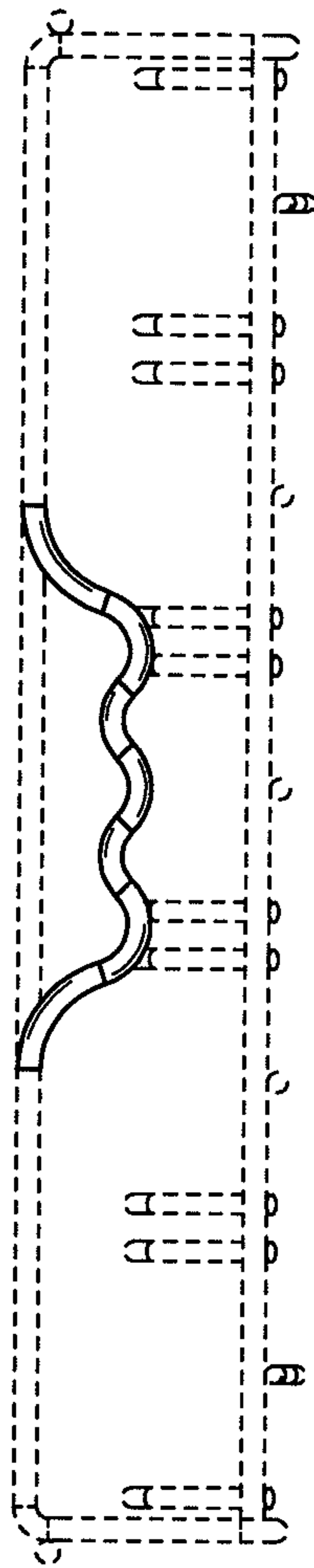


FIG. 2

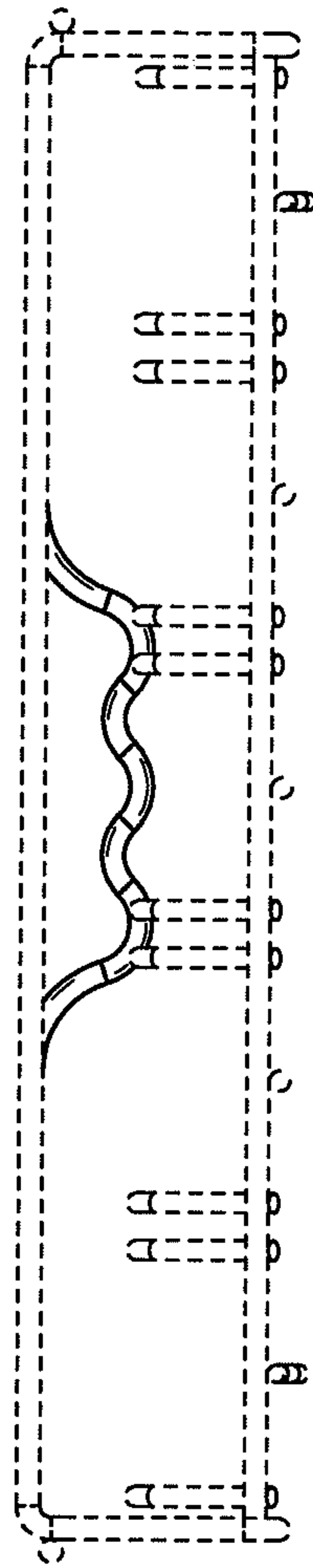


FIG. 3

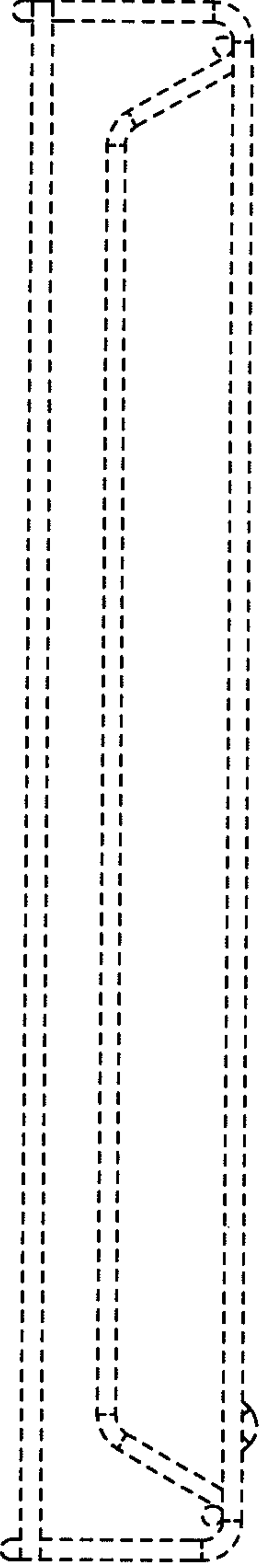


FIG. 4

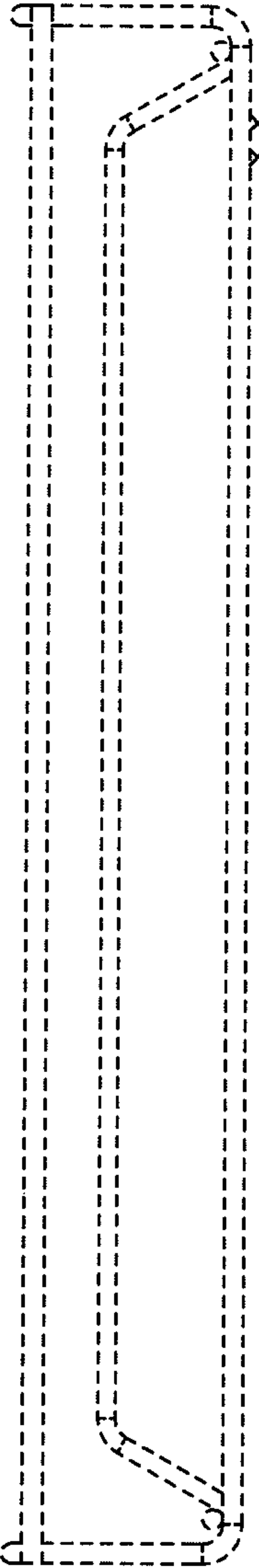


FIG. 5



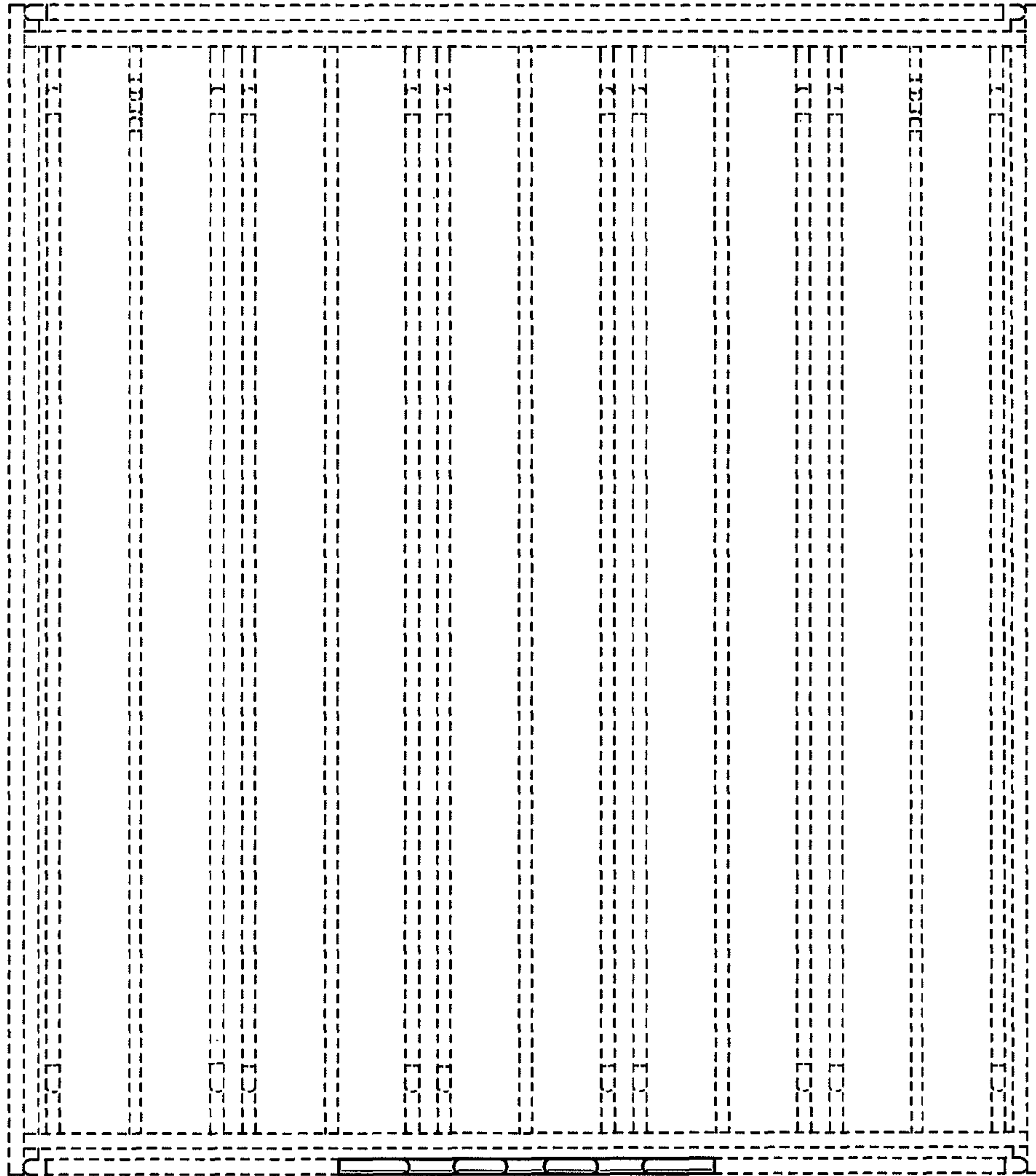


FIG. 6

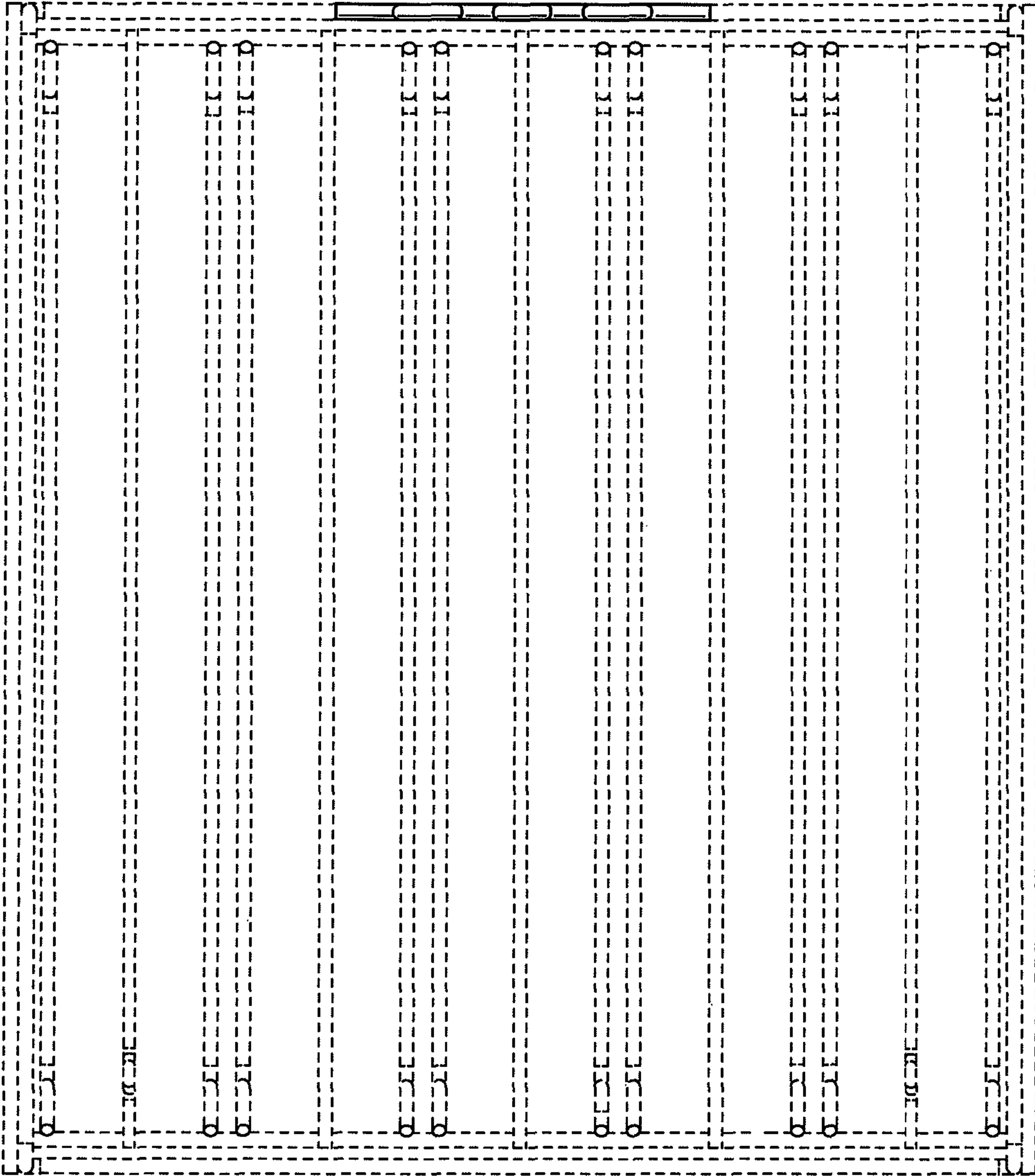


FIG. 7