



US00D694013S

(12) **United States Design Patent**  
**Hyzdu**

(10) **Patent No.:** **US D694,013 S**

(45) **Date of Patent:** **\*\* Nov. 26, 2013**

(54) **POPPYBATTERY POCKET**

(76) **Inventor:** **Julie Hyzdu, Mesa, AZ (US)**

(\*\*) **Term:** **14 Years**

(21) **Appl. No.:** **29/417,009**

(22) **Filed:** **Mar. 29, 2012**

(51) **LOC (9) Cl.** ..... **03-01**

(52) **U.S. Cl.**  
USPC ..... **D3/303**

(58) **Field of Classification Search**  
USPC ..... D3/234, 255, 271.9, 320, 256, 262, 279,  
D3/299, 301, 303, 318, 319, 273, 289, 292,  
D3/294–296, 232, 244; D9/424, 420;  
D27/189; 206/349; 220/833; 312/902;  
190/100

See application file for complete search history.

(56) **References Cited**

**U.S. PATENT DOCUMENTS**

D90,738 S *	9/1933	Tatum .....	D3/299
D147,254 S *	8/1947	Streng .....	D3/205
D338,338 S *	8/1993	Zaglin .....	D3/299
D477,135 S *	7/2003	Fu .....	D3/247
D524,042 S *	7/2006	Lavine .....	D3/218
D534,721 S *	1/2007	Hussaini et al. ....	D3/218
D549,449 S *	8/2007	Malhotra et al. ....	D3/218
D606,299 S *	12/2009	Boomhour et al. ....	D3/201
D606,302 S *	12/2009	Fahrendorff et al. ....	D3/218
D621,618 S *	8/2010	Fahrendorff et al. ....	D3/303

D630,016 S *	1/2011	Rutjes .....	D3/303
D679,499 S *	4/2013	Harris .....	D3/303
D681,332 S *	5/2013	Rashid .....	D3/303

\* cited by examiner

*Primary Examiner* — Sandra Snapp

(74) *Attorney, Agent, or Firm* — Jackson White, PC; Steven J. Laureanti

(57) **CLAIM**

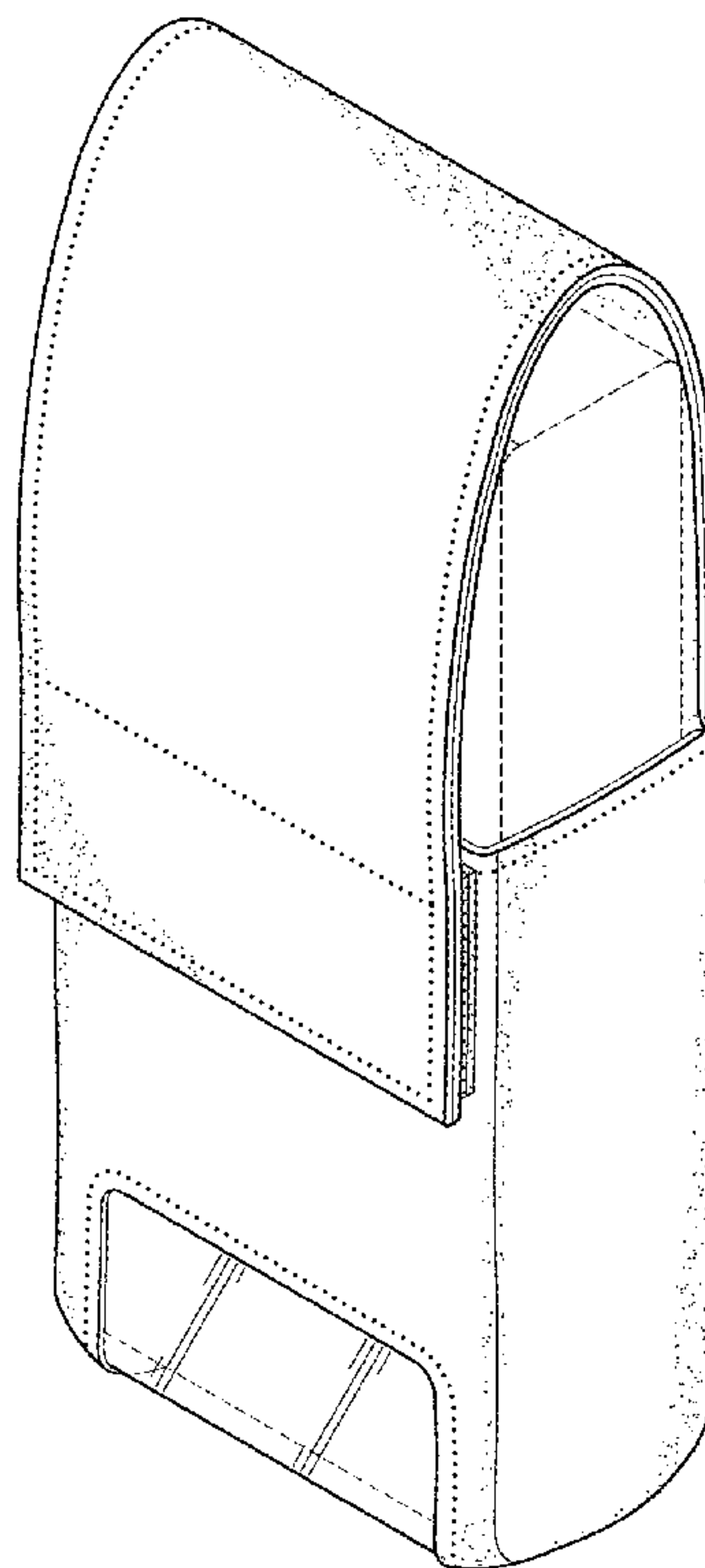
The ornamental design for a poppybattery pocket, as shown and described.

**DESCRIPTION**

FIG. 1 is a perspective view of the present invention in a closed position;  
FIG. 2 is a front view of the present invention;  
FIG. 3 is a right side view of the present invention, the left side view being a mirror image thereof;  
FIG. 4 is a back view of the present invention;  
FIG. 5 is a top view of the present invention;  
FIG. 6 is a bottom view of the present invention; and,  
FIG. 7 is another perspective view of the present invention in an open position.

The broken lines in FIGS. 1 and 7 immediately adjacent the solid lines represent the bounds of the claim, and the broken lines and the area within the broken lines represent unclaimed portions of the present invention. None of the broken lines form a part of the claimed design.

**1 Claim, 4 Drawing Sheets**



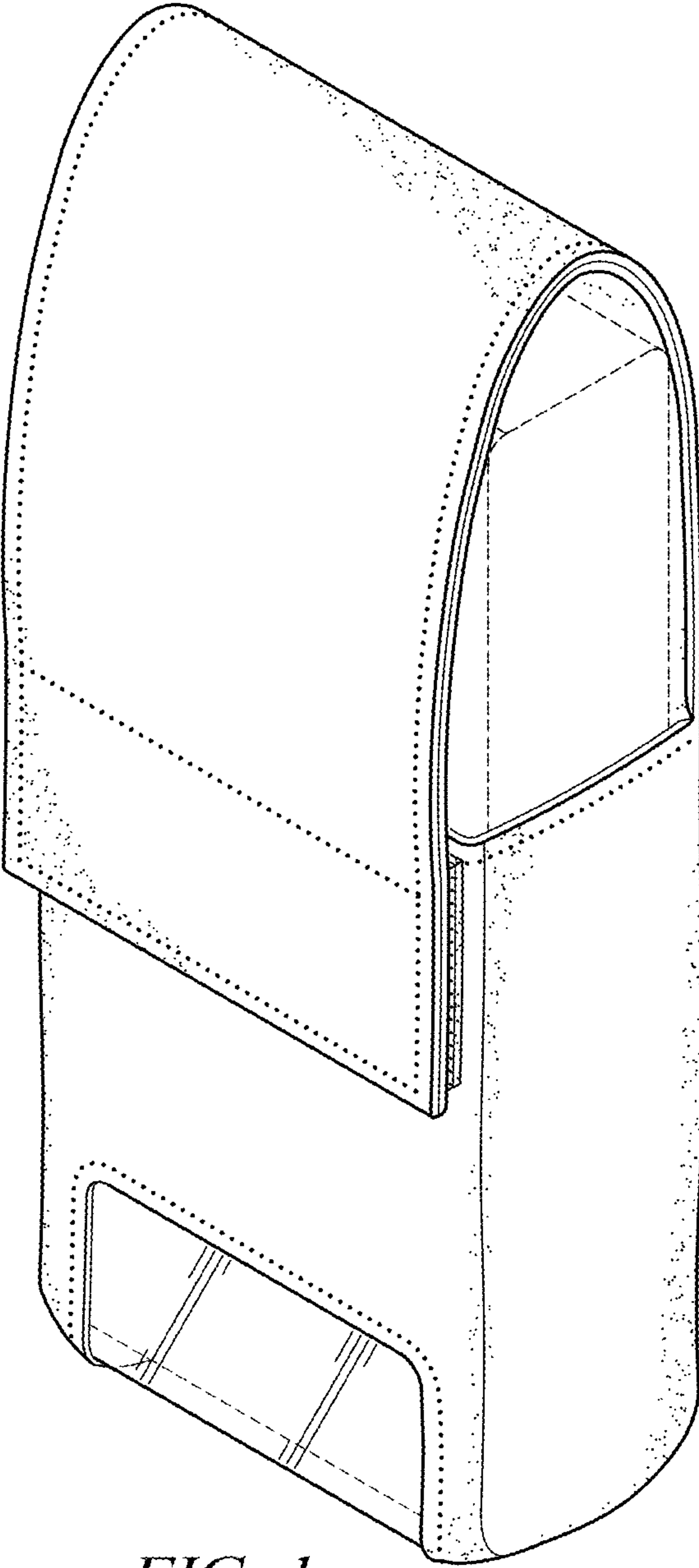


FIG. 1

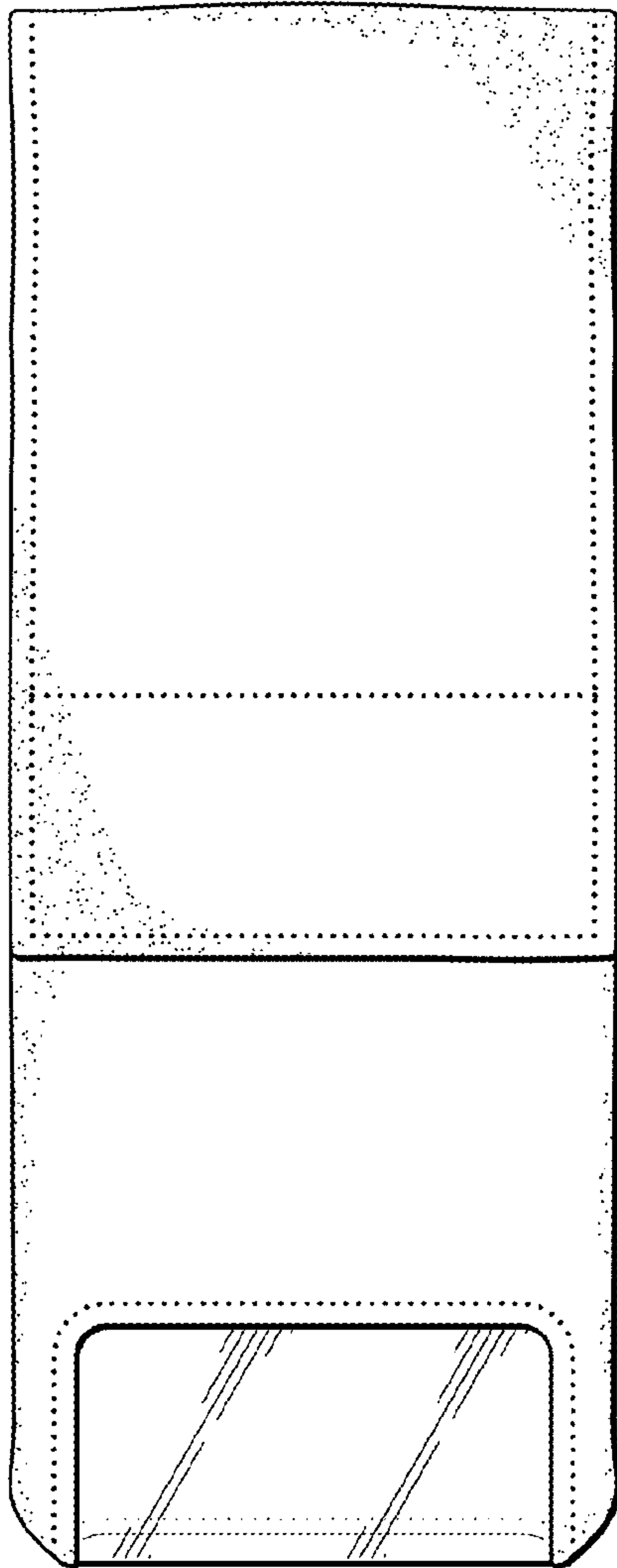


FIG. 2

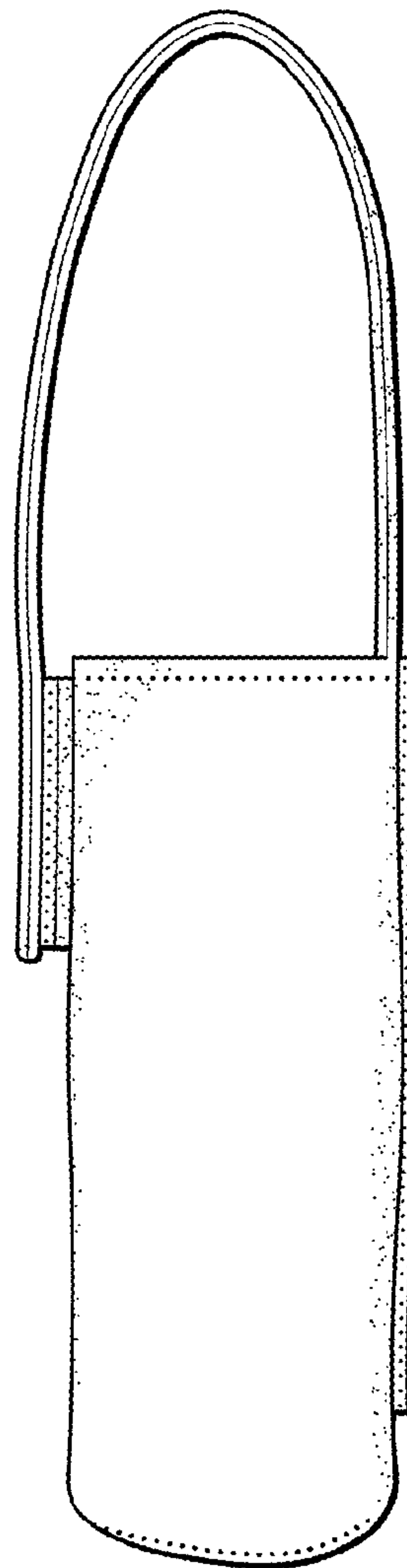
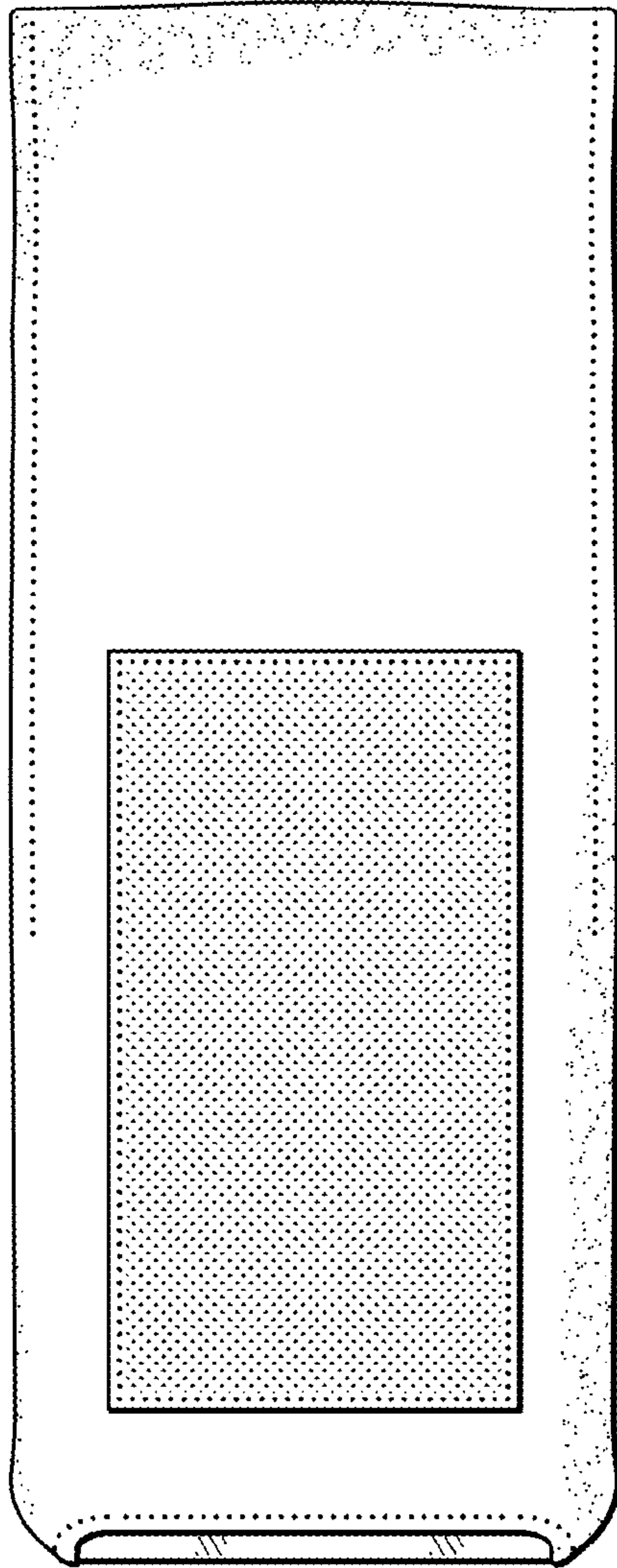
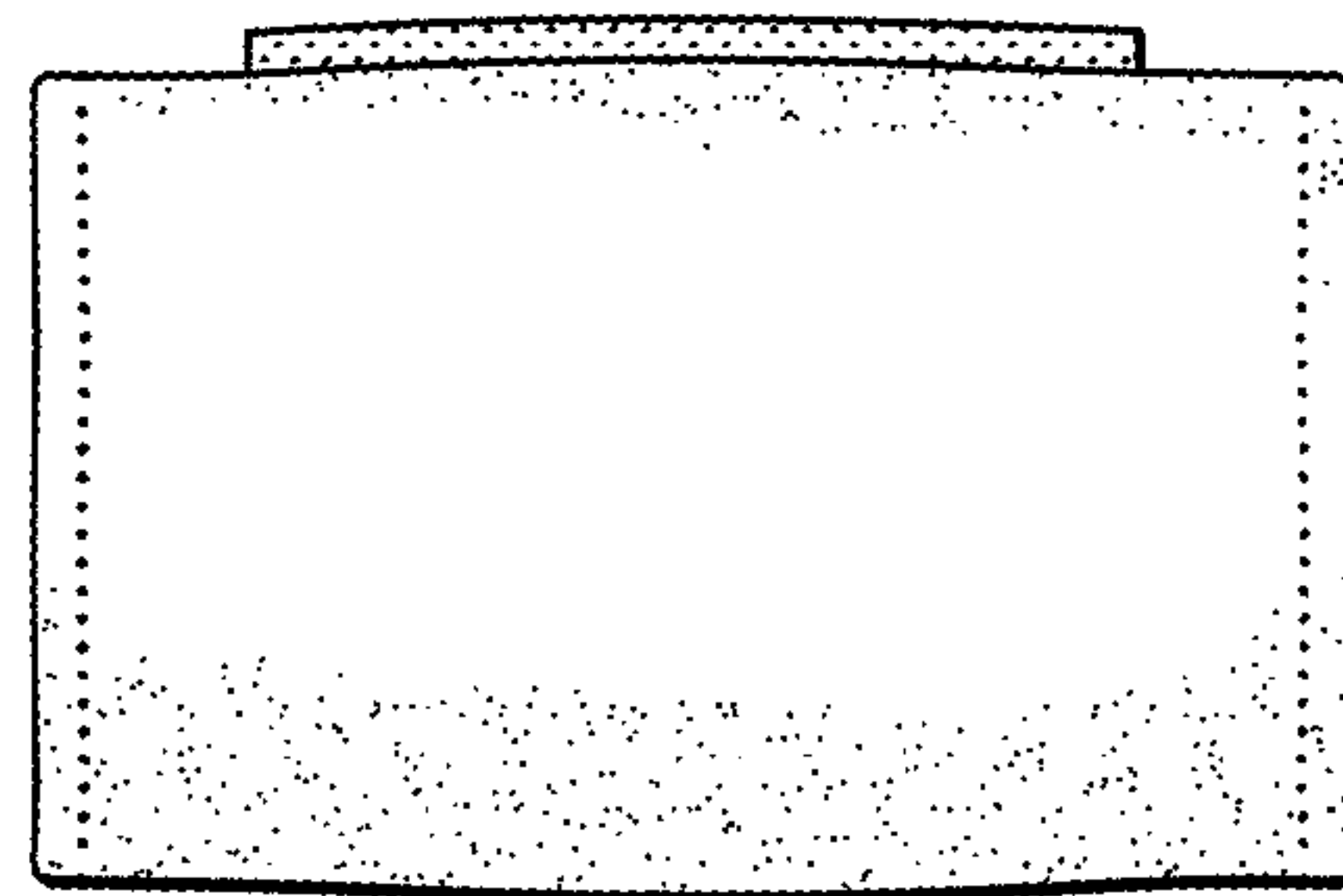


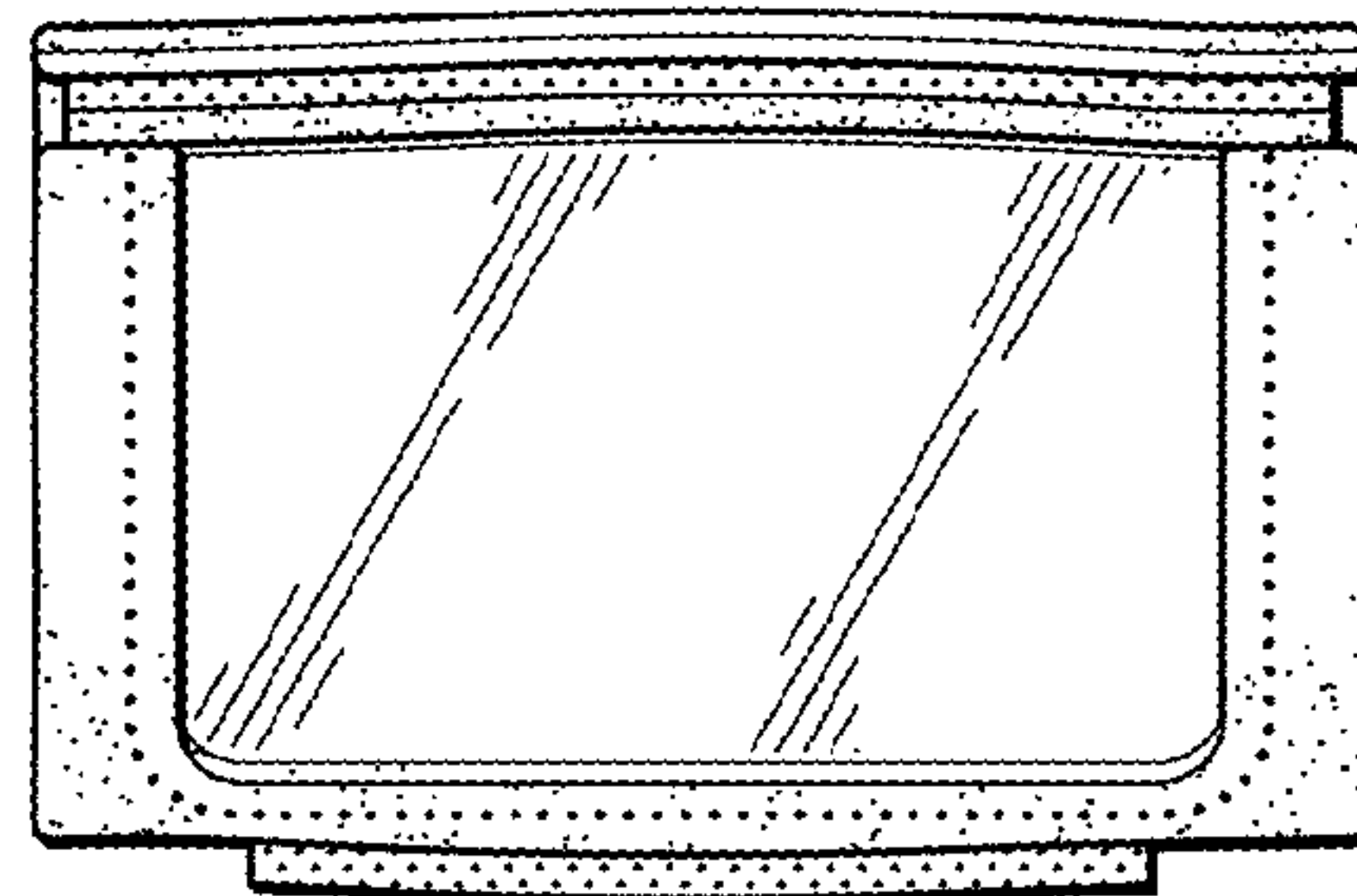
FIG. 3



*FIG. 4*



*FIG. 5*



*FIG. 6*

FIG. 7

