

US00D694010S

(12) **United States Design Patent**  
**Buie, II**

(10) **Patent No.:** **US D694,010 S**  
(45) **Date of Patent:** **\*\* Nov. 26, 2013**

- (54) **GUN CLEANING KIT**
- (75) Inventor: **James H. Buie, II**, Little Rock, AR (US)
- (73) Assignee: **DAC Technologies Group International, Inc.**, Miami, FL (US)
- (\*\*) Term: **14 Years**
- (21) Appl. No.: **29/395,213**
- (22) Filed: **Dec. 19, 2011**
- (51) **LOC (9) Cl.** ..... **03-01**
- (52) **U.S. Cl.**  
USPC ..... **D3/262**
- (58) **Field of Classification Search**  
USPC ..... D3/262, 271.1; 206/315.11; 42/95  
See application file for complete search history.

5,588,242 A	12/1996	Hughes	
5,645,091 A	7/1997	Hoelt	
D381,879 S	8/1997	Peng	
5,755,055 A	5/1998	Thompson	
5,775,020 A	7/1998	Baird	
5,775,021 A	7/1998	Weiss	
D407,212 S	3/1999	Molaro	
5,967,315 A *	10/1999	Langtry, II	..... 206/315.11
5,972,125 A	10/1999	Hedge	
6,126,005 A	10/2000	Long, Jr.	
6,209,723 B1	4/2001	Fields	
6,244,899 B1	6/2001	Bogursky	
6,269,579 B1	8/2001	Warner	
D457,697 S	5/2002	Savage	
D480,207 S	10/2003	Marks	
D480,522 S	10/2003	Sasaki	
6,640,480 B2	11/2003	Williams	
6,701,657 B1	3/2004	Hudspeth	
D499,552 S	12/2004	Nissanoff	
D500,952 S	1/2005	Moore	
7,020,994 B2	4/2006	Buie, II	
D535,476 S	1/2007	Pennington	
7,165,673 B2	1/2007	Marks	

(56) **References Cited**

U.S. PATENT DOCUMENTS

3,813,802 A	6/1974	Di Prospero	
D268,987 S	5/1983	Smith	
4,399,627 A	8/1983	Malesky	
4,716,673 A	1/1988	Williams	
4,807,381 A	2/1989	Southard	
4,873,777 A	10/1989	Southard	
4,899,415 A	2/1990	Wheeler	
4,901,464 A	2/1990	Banoun	
D310,302 S	9/1990	Southard	
D313,886 S	1/1991	Southard	
5,052,555 A	10/1991	Harmon	
5,075,998 A	12/1991	Selleck	
5,202,523 A	4/1993	Grossman	
D339,470 S	9/1993	Marks	
5,317,827 A	6/1994	Jaremco	
5,379,542 A	1/1995	Guzman	
D357,584 S *	4/1995	Swingler	..... D3/300
5,427,239 A	6/1995	Hunt	
D371,413 S *	7/1996	Crausby et al.	..... D21/795
D373,297 S	9/1996	Hill	
D376,474 S	12/1996	Marks	

(Continued)

*Primary Examiner* — Holly Baynham

(74) *Attorney, Agent, or Firm* — Stephen D. Carver

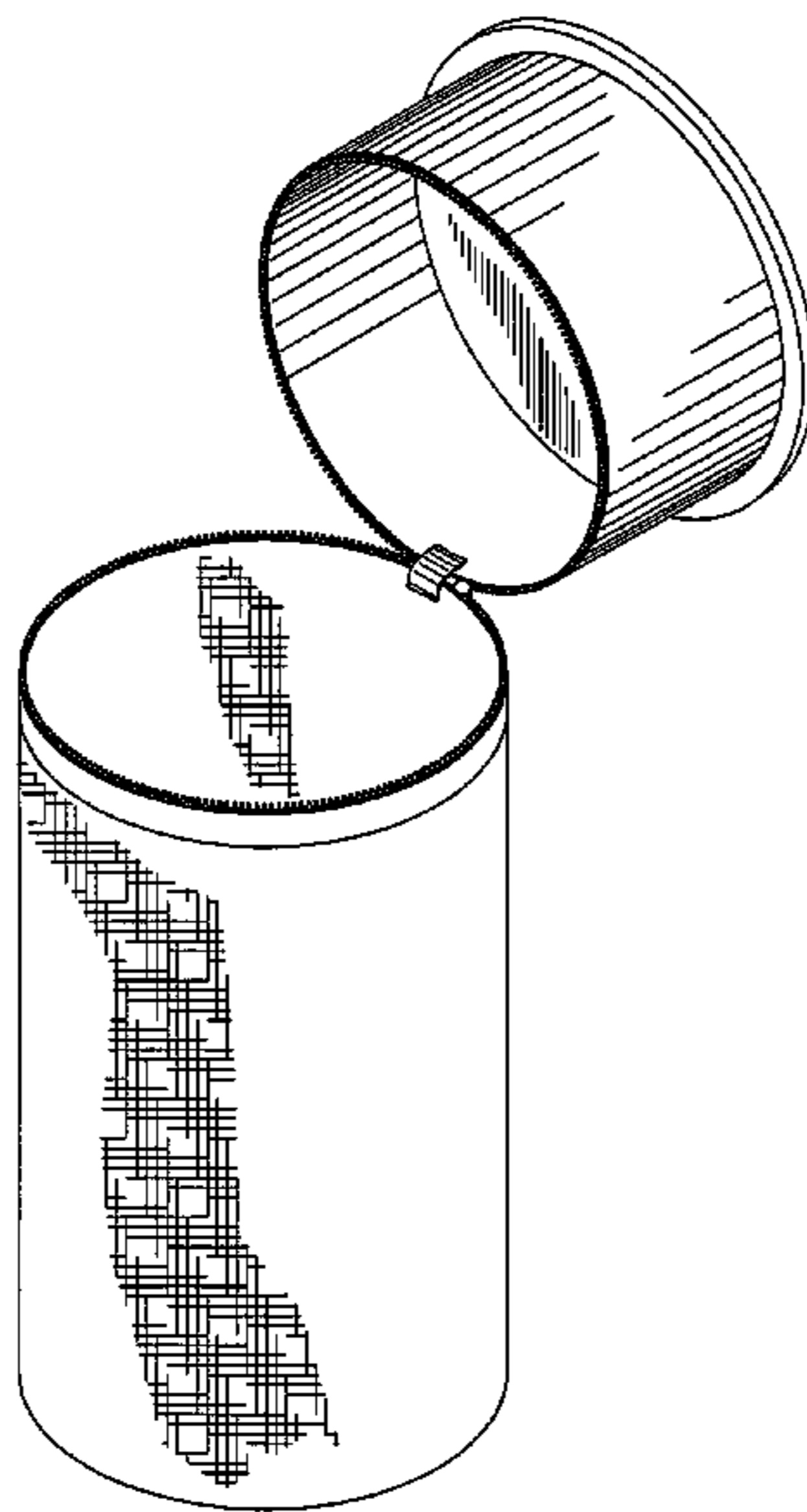
(57) **CLAIM**

The ornamental design for an gun cleaning kit, as shown.

**DESCRIPTION**

FIG. 1 is a frontal isometric view of the preferred embodiment of my new gun cleaning kit;  
 FIG. 2 is a rear isometric view thereof;  
 FIG. 3 is a front plan view thereof;  
 FIG. 4 is a rear plan view thereof;  
 FIG. 5 is a left side elevational view thereof;  
 FIG. 6 is a right side elevational view thereof;  
 FIG. 7 is a top plan view thereof; and,  
 FIG. 8 is a bottom plan view thereof.

**1 Claim, 6 Drawing Sheets**



(56)

**References Cited**

U.S. PATENT DOCUMENTS

7,356,961 B2 4/2008 Williams  
7,367,151 B1 5/2008 Black  
D602,663 S 10/2009 Pennington  
7,841,472 B1 11/2010 Williams

2003/0136044 A1 7/2003 Williams  
2006/0010753 A1 1/2006 Buie  
2008/0295818 A1 12/2008 Styles  
2009/0145785 A1 6/2009 Garrett  
2009/0193703 A1 8/2009 Riley  
2010/0175296 A1 7/2010 Williams  
2011/0047853 A1 3/2011 Williams

\* cited by examiner

FIG. 1

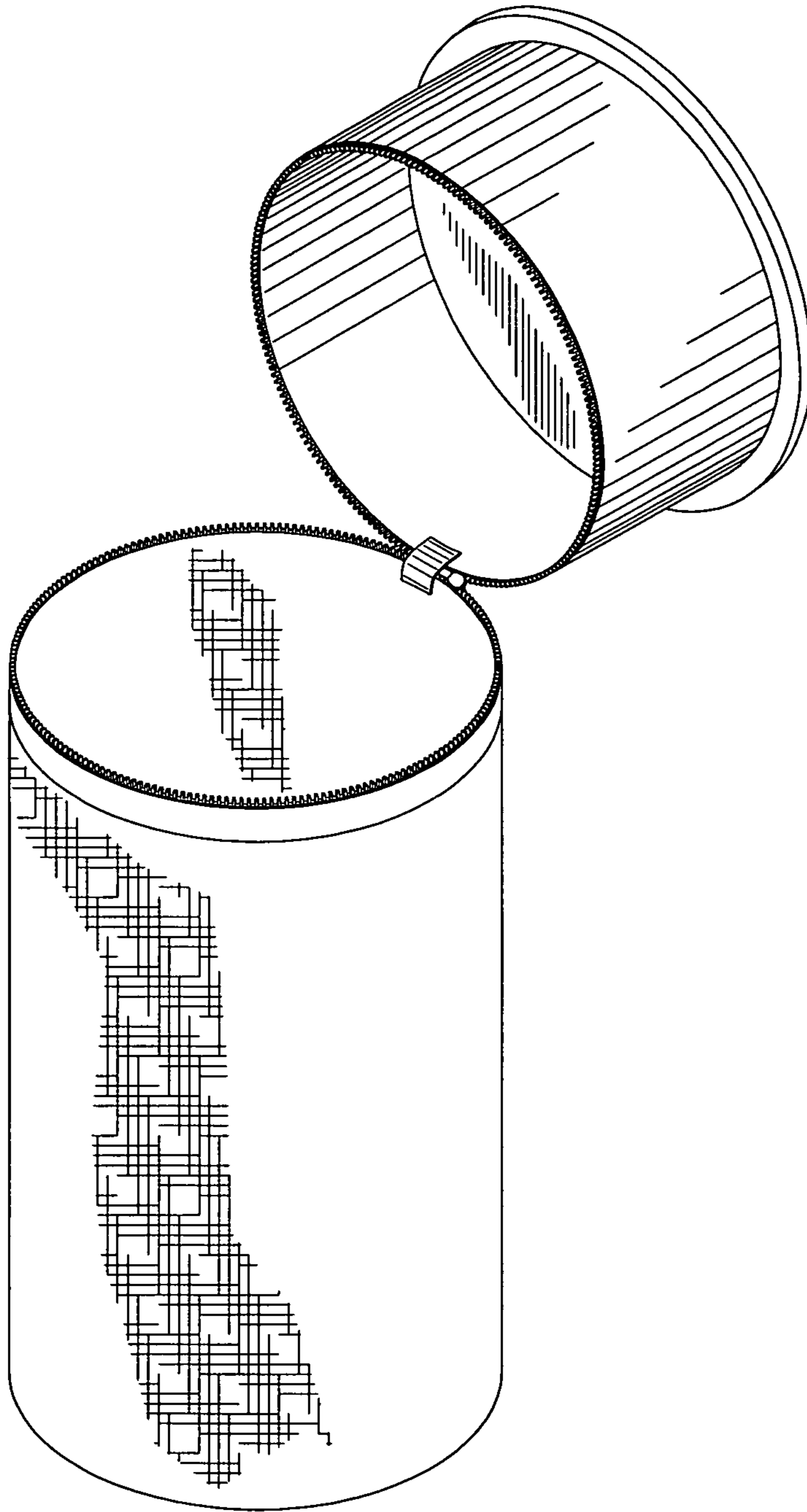


FIG. 2

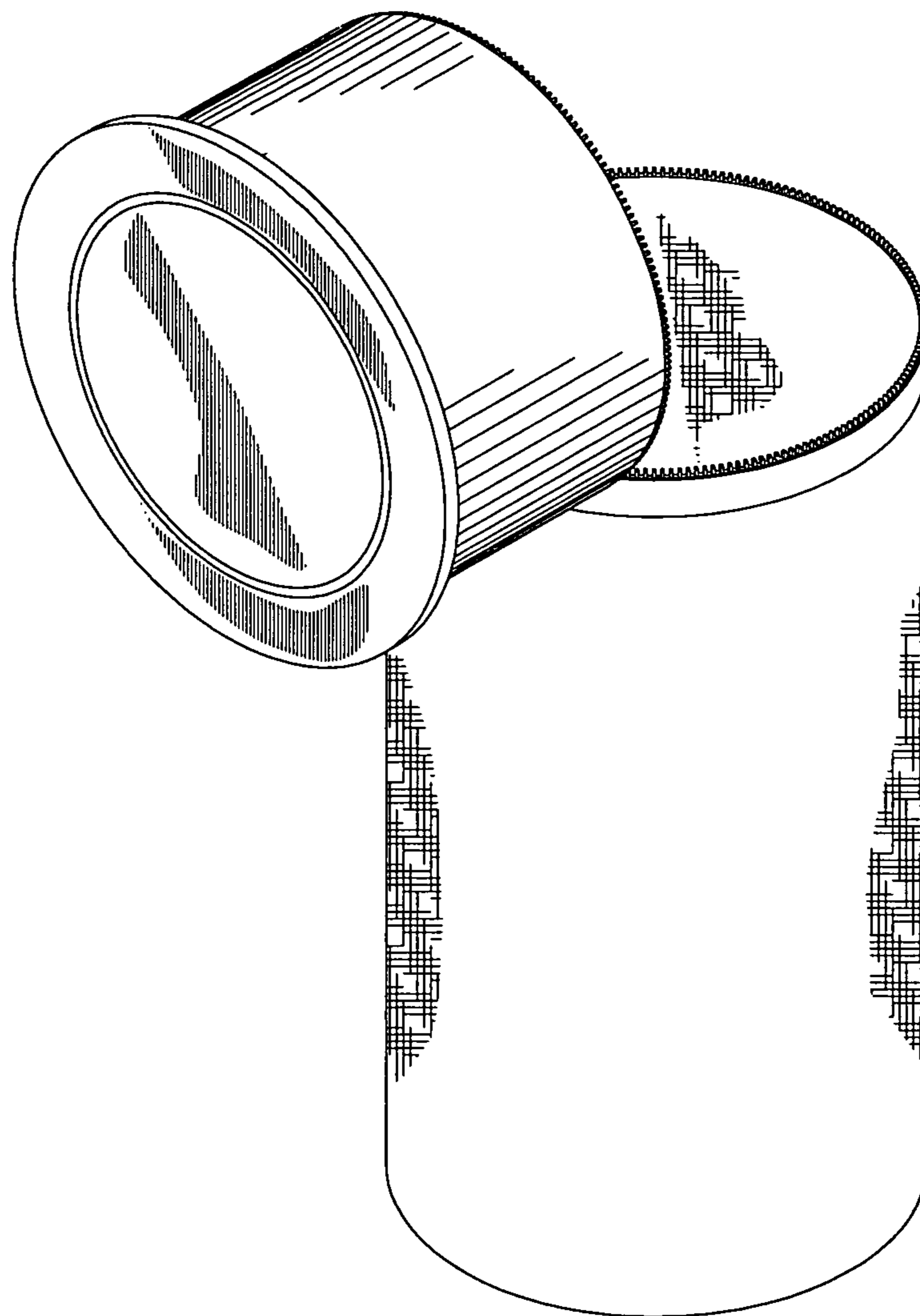


FIG. 3

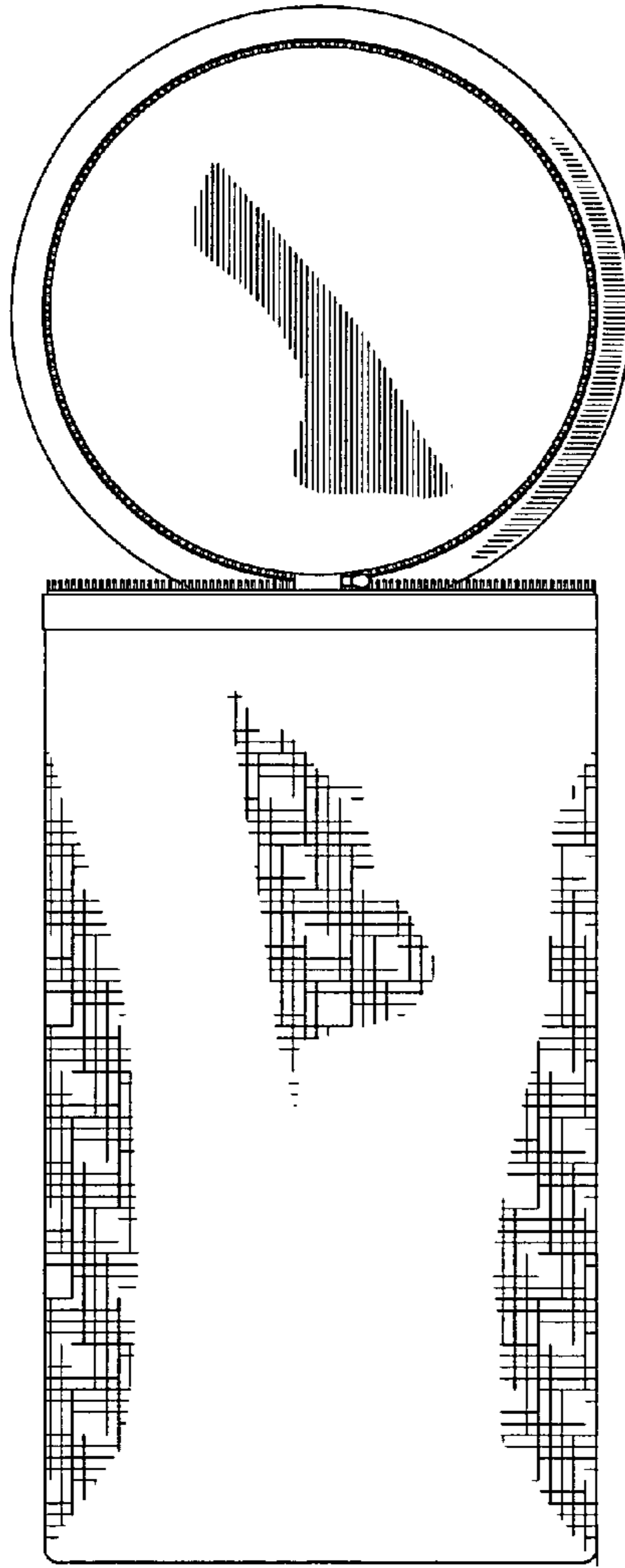
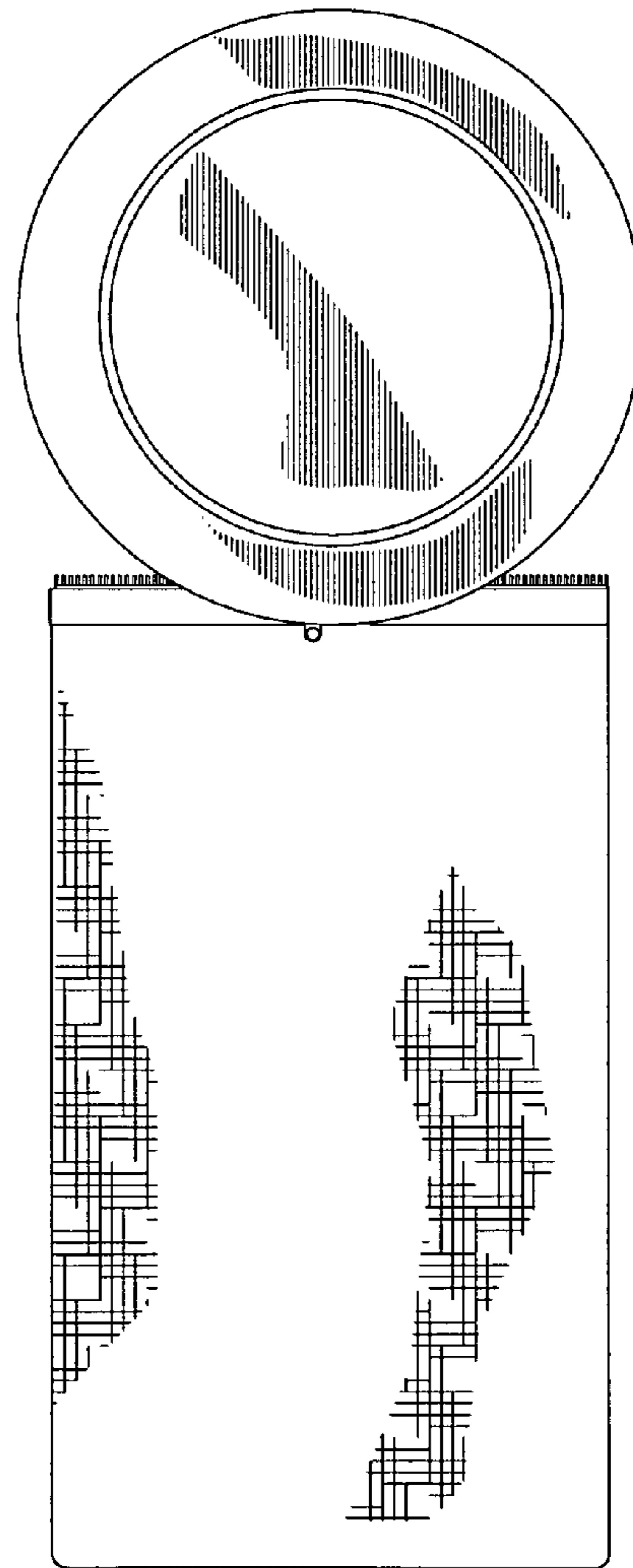


FIG. 4



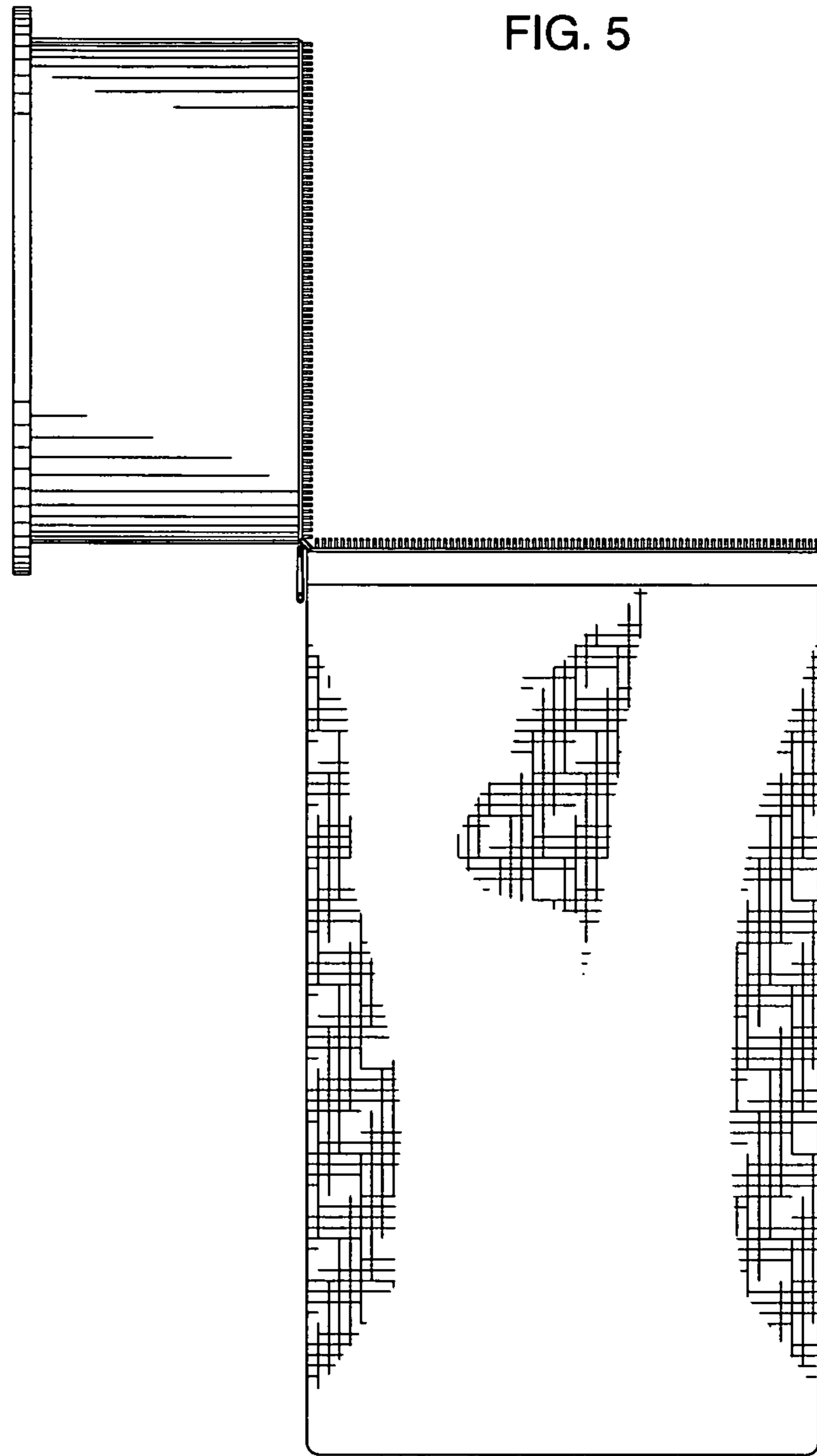


FIG. 6

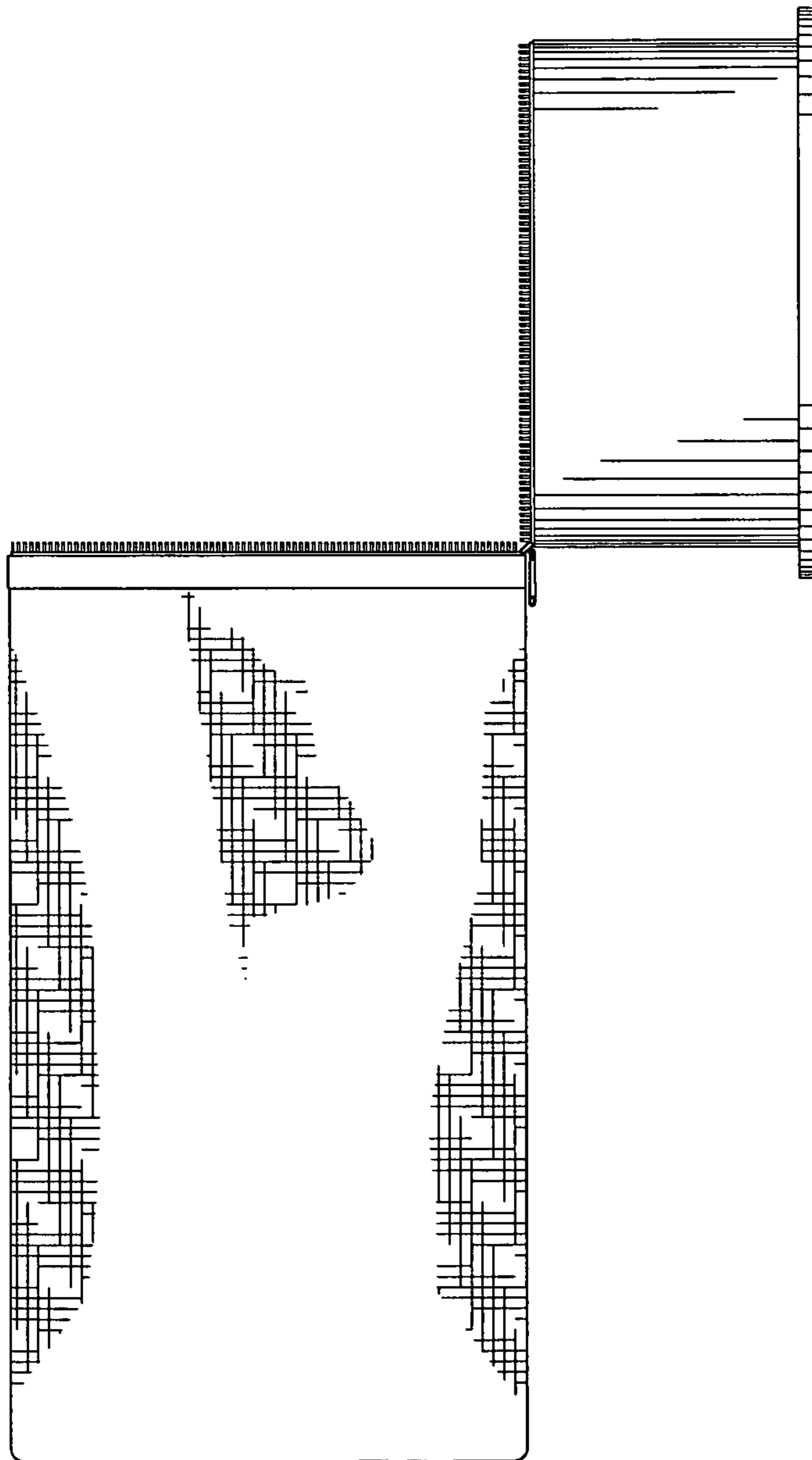


FIG. 7

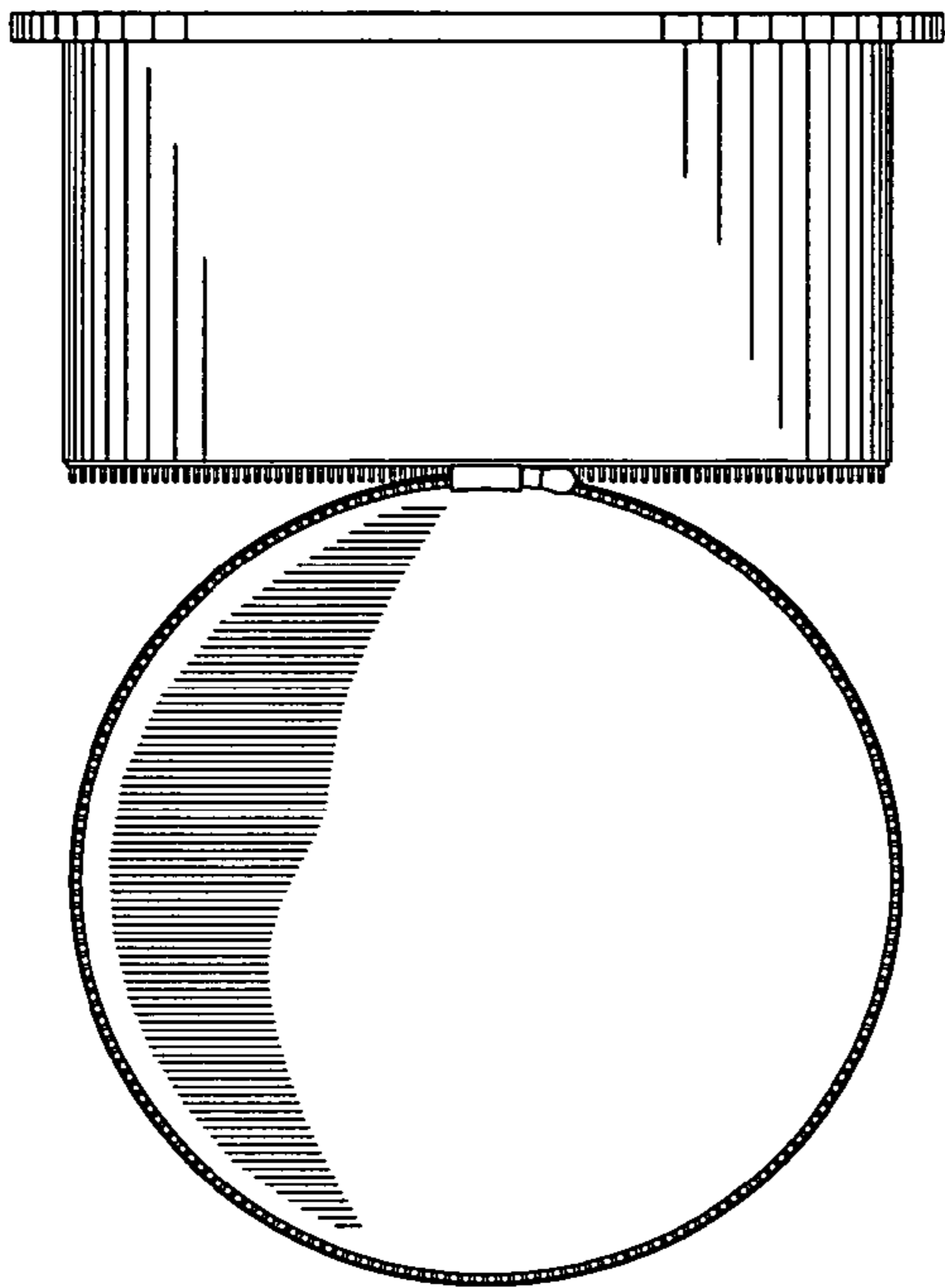


FIG. 8

