



US00D694004S

(12) **United States Design Patent**
Matte

(10) **Patent No.:** **US D694,004 S**

(45) **Date of Patent:** **** Nov. 26, 2013**

(54) **CLUTCH**

Primary Examiner — Holly Baynham

(76) Inventor: **Richard Matte**, Kelowna (CA)

(74) *Attorney, Agent, or Firm* — Antony C. Edwards

(**) Term: **14 Years**

(21) Appl. No.: **29/430,444**

(22) Filed: **Aug. 24, 2012**

(57) **CLAIM**

The ornamental design for a clutch, as shown and described.

(51) **LOC (9) Cl.** **03-01**

(52) **U.S. Cl.**
USPC **D3/232; D3/294**

(58) **Field of Classification Search**
USPC D3/232, 240–243, 245–246, 294, 285,
D3/289; 150/100, 103–110, 113–114,
150/117–119; 206/235, 1.5, 278, 215, 555
See application file for complete search history.

DESCRIPTION

FIG. 1 is a perspective view of the clutch of the present invention.

FIG. 2 is a top view of the clutch.

FIG. 3 is a front view of the clutch.

FIG. 4 is a rear elevation view of the clutch.

FIG. 5 is a left-side elevation view of the clutch.

FIG. 6 is a right side elevation view of the clutch; and,

FIG. 7 is a bottom view of the clutch.

(56) **References Cited**

U.S. PATENT DOCUMENTS

D506,065 S * 6/2005 Sugino et al. D3/294
D542,529 S * 5/2007 Peart et al. D3/276

* cited by examiner

1 Claim, 2 Drawing Sheets

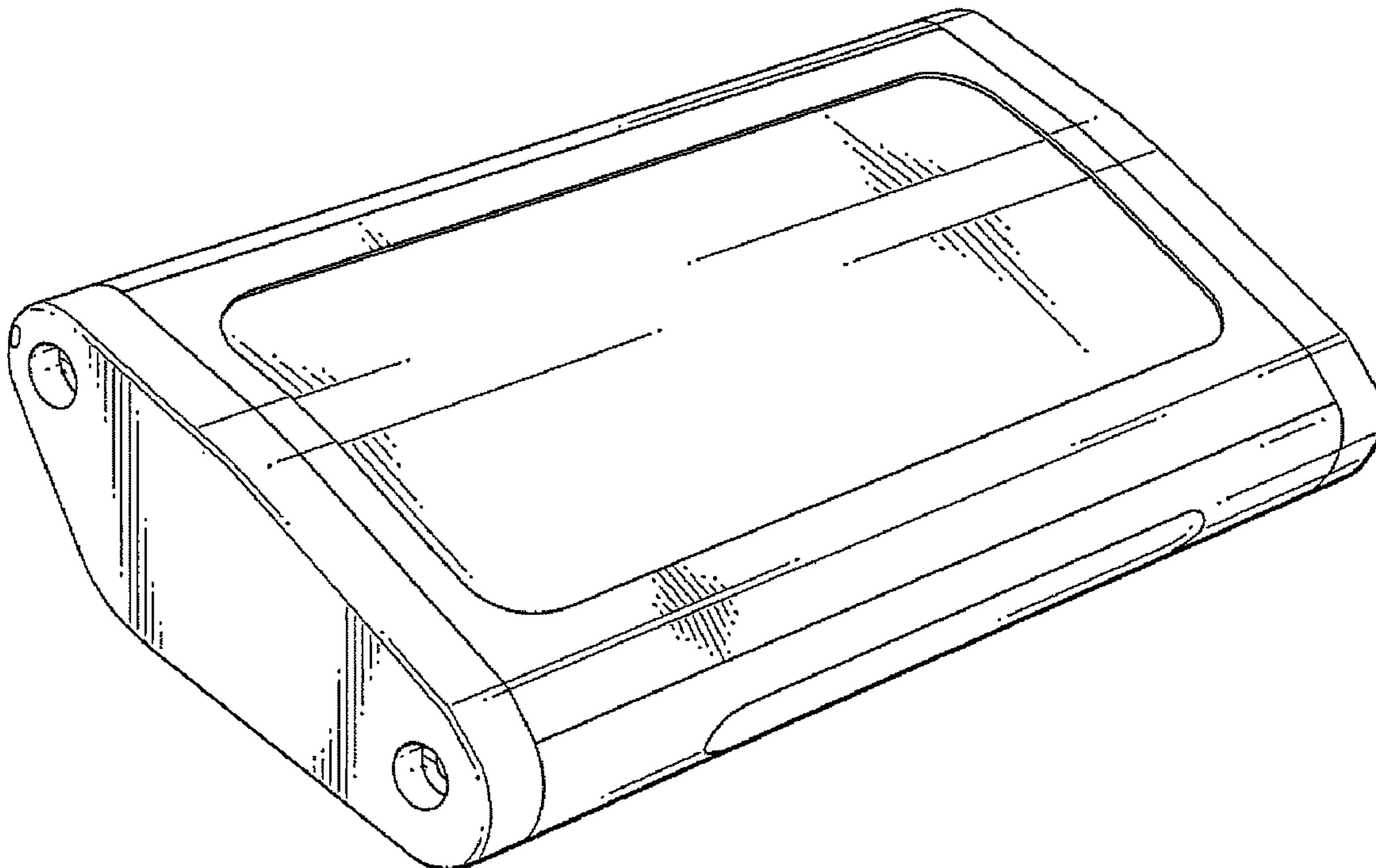


FIG. 1

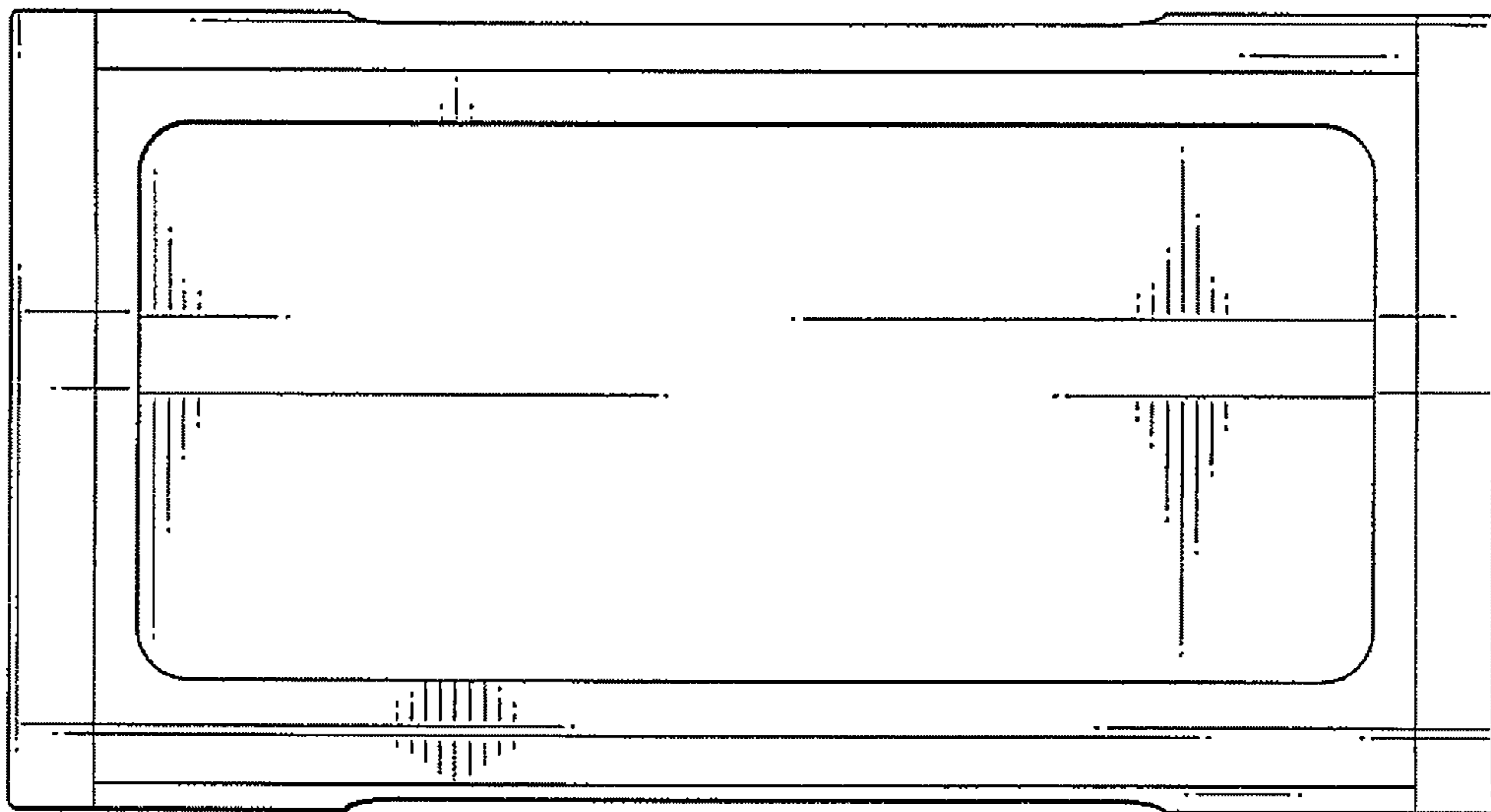
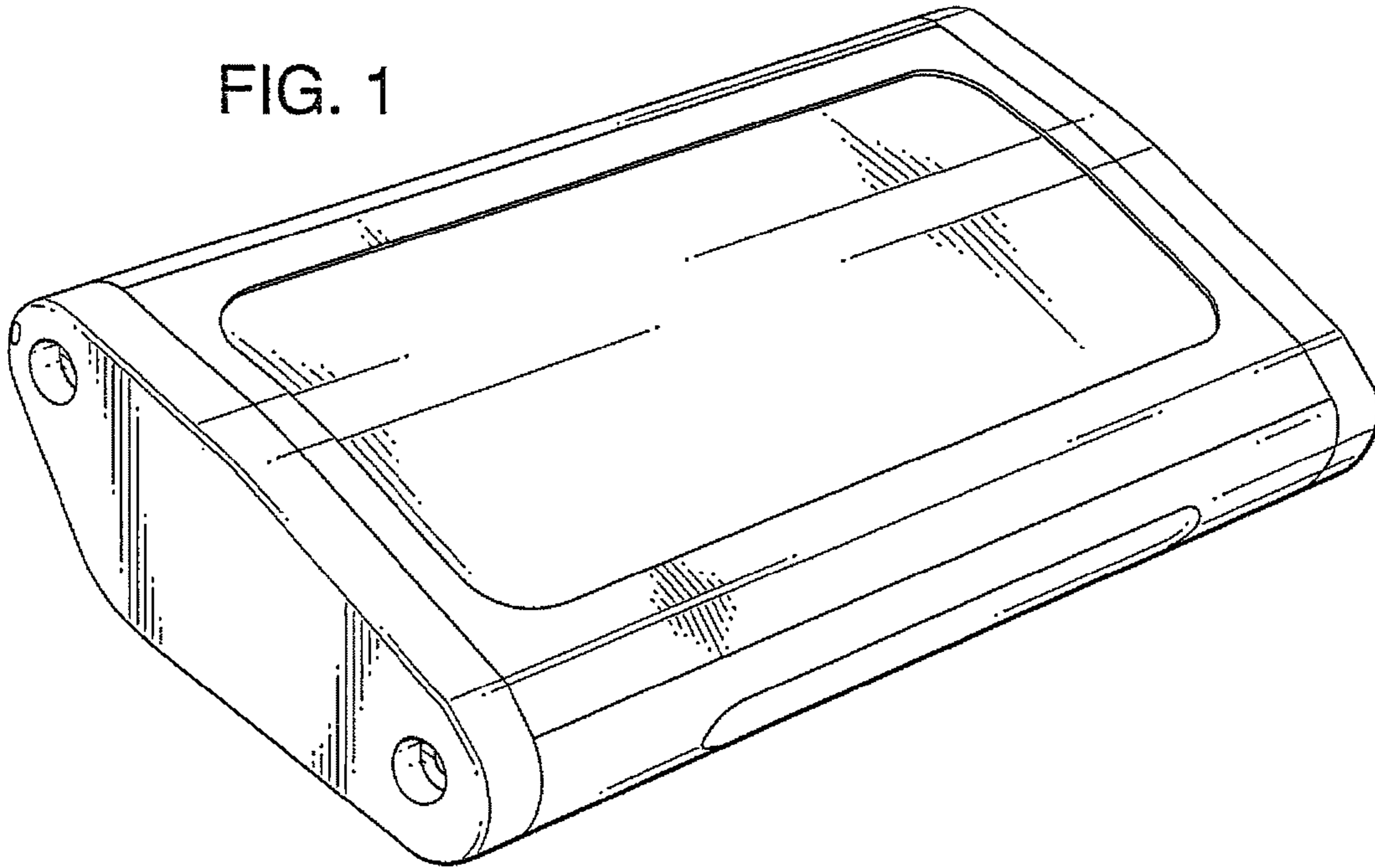


FIG. 2

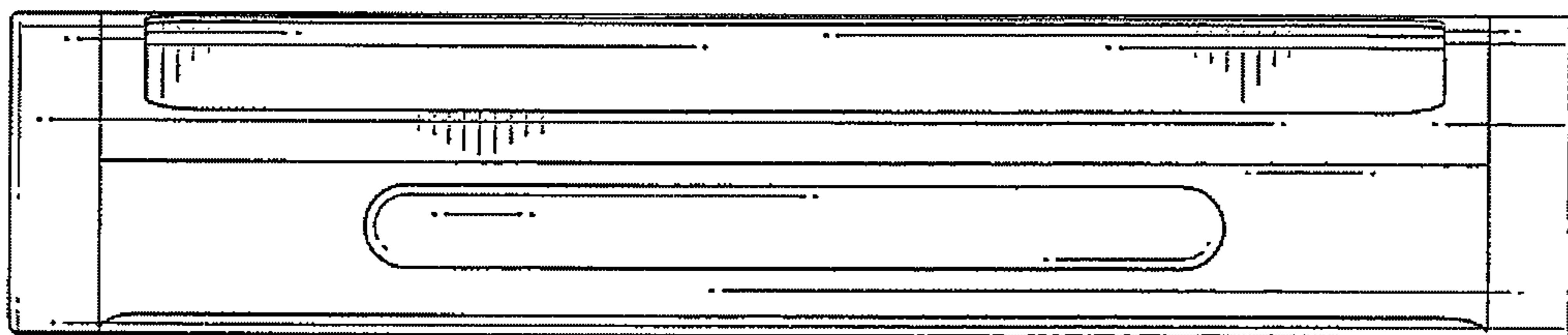


FIG. 3

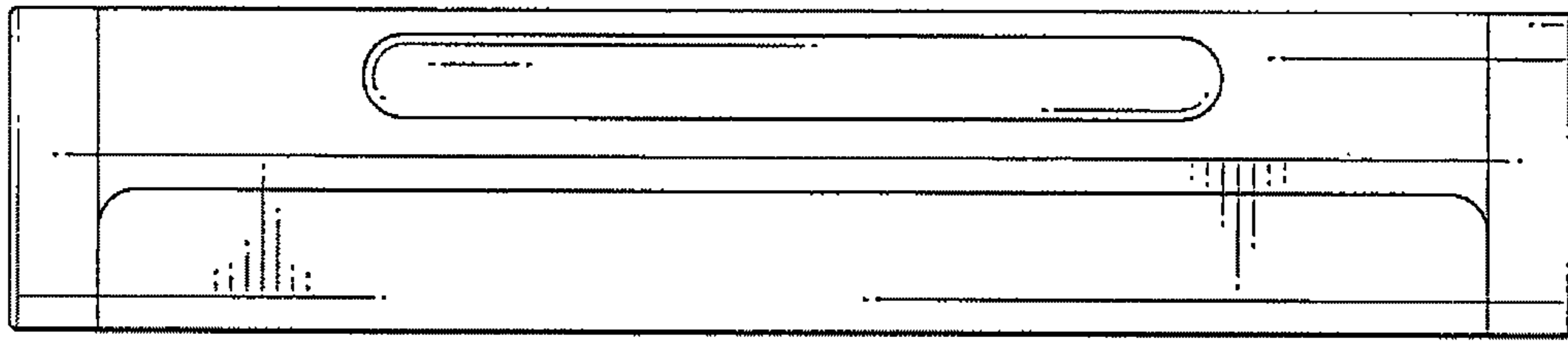


FIG. 4

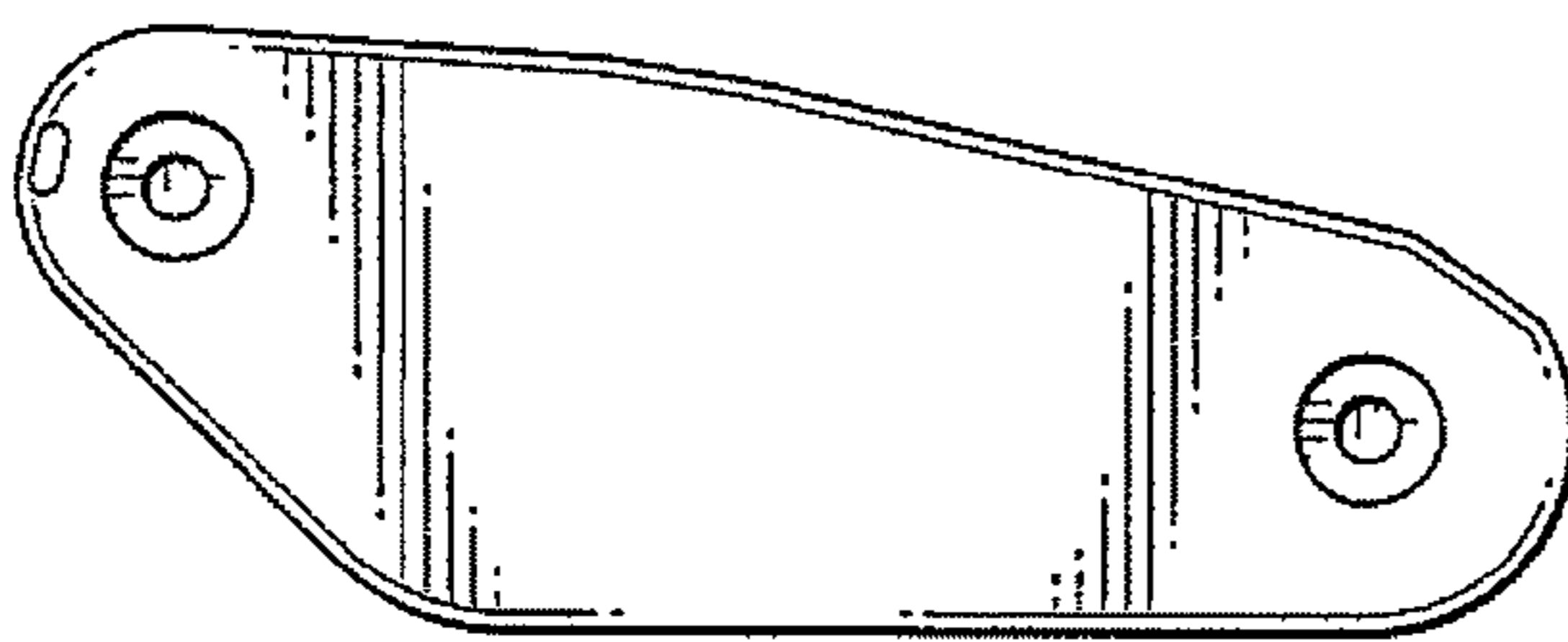


FIG. 5

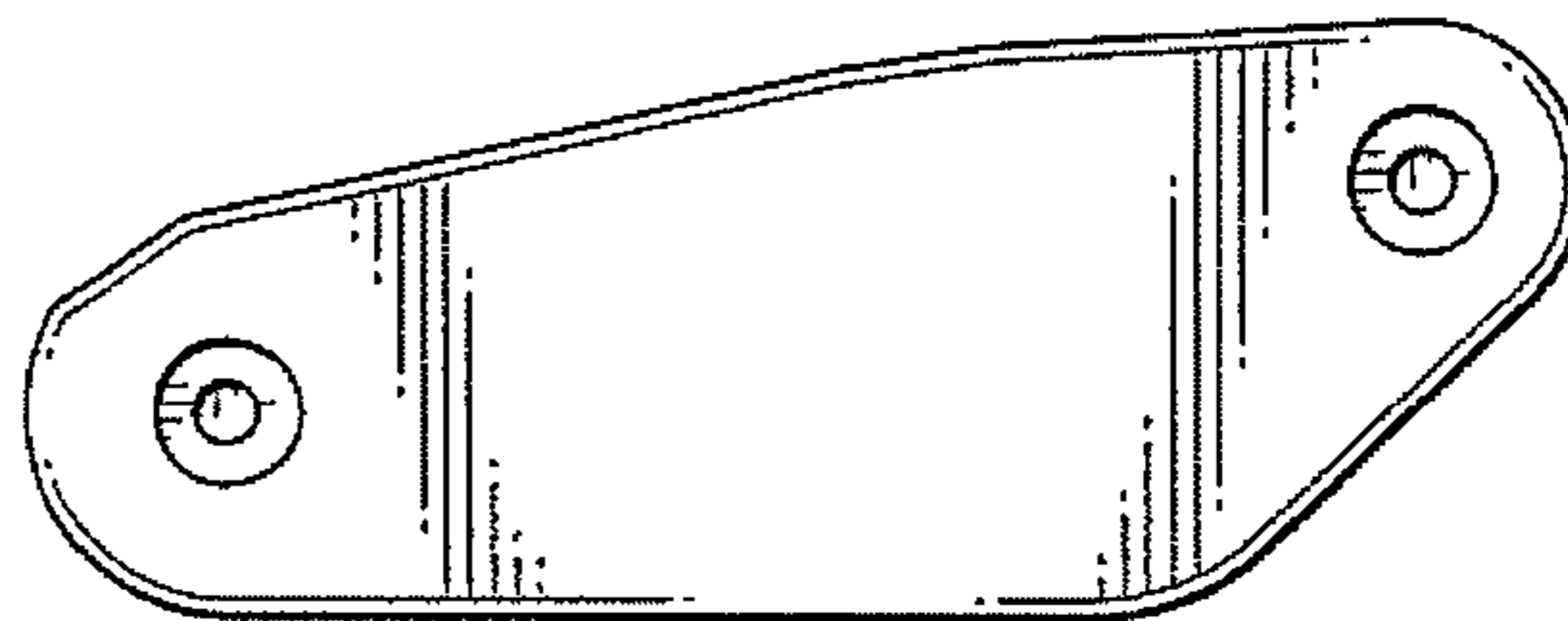


FIG. 6

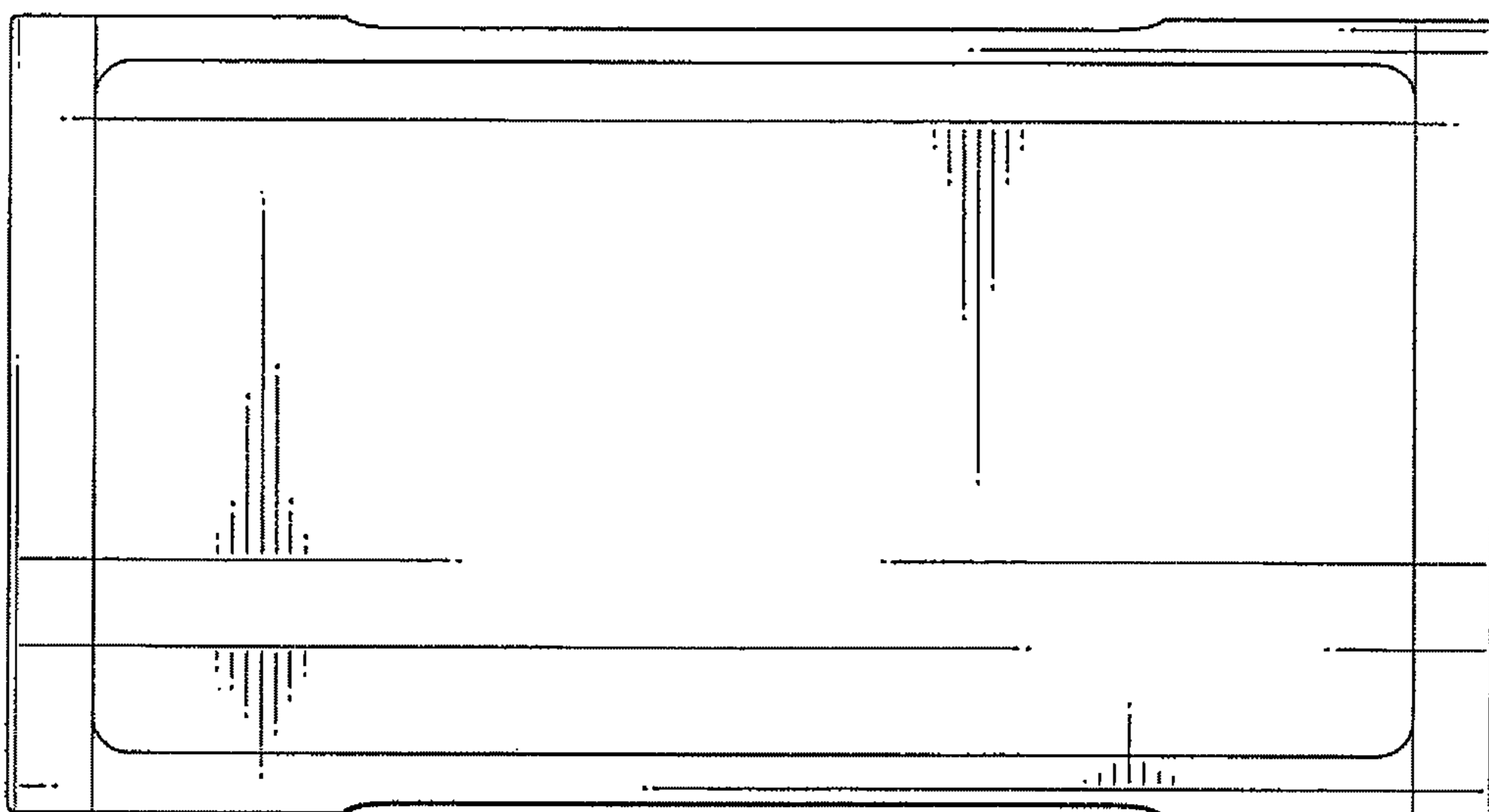


FIG. 7