



US00D694000S

(12) **United States Design Patent**  
**Walter**

(10) **Patent No.:** **US D694,000 S**  
(45) **Date of Patent:** **\*\* Nov. 26, 2013**

- (54) **TRANSPORT BOX**
- (71) Applicant: **Rythmes & Sons**, Illkirch-Graffenstaden (FR)
- (72) Inventor: **Claude Walter**, Illkirch-Graffenstaden (FR)
- (73) Assignee: **Rythmes & Sons**, Illkirch-Graffenstaden (FR)
- (\*\*) Term: **14 Years**
- (21) Appl. No.: **29/439,026**
- (22) Filed: **Dec. 5, 2012**
- (30) **Foreign Application Priority Data**

- Jun. 6, 2012 (EM) ..... 002052928
- (51) **LOC (9) Cl.** ..... **03-01**
- (52) **U.S. Cl.**  
USPC ..... **D3/204**
- (58) **Field of Classification Search**  
USPC ..... D3/201, 204, 206, 254, 259, 272, 273,  
D3/315, 318; D9/721; 206/314, 335, 370,  
206/374, 320, 523, 524; 248/166;  
229/122.32; 84/422.3  
See application file for complete search history.

(56) **References Cited**  
U.S. PATENT DOCUMENTS

1,988,718	A *	1/1935	Cook et al.	206/314
2,979,246	A *	4/1961	Liebeskind	206/523
D201,487	S *	6/1965	De Vos	D3/204
3,223,232	A *	12/1965	Coen	206/524
3,356,209	A *	12/1967	Pezely, Jr.	206/523
3,404,826	A *	10/1968	Carmody	206/523
3,723,061	A *	3/1973	Stahl	206/370
D249,584	S *	9/1978	Atkinson	D3/204
4,709,817	A *	12/1987	Keady et al.	206/523

4,869,369	A *	9/1989	Turngren	206/523
5,271,499	A *	12/1993	Van Horssen	206/335
5,417,342	A *	5/1995	Hutchison	229/122.32
5,816,395	A *	10/1998	Dougherty	206/314
6,296,213	B1 *	10/2001	Law et al.	248/166
6,448,482	B2 *	9/2002	Cerro	84/422.3
D506,131	S *	6/2005	Izen et al.	D9/721
6,964,337	B2 *	11/2005	Engle	206/374
6,981,589	B2 *	1/2006	Sanders, Jr.	206/320
7,216,763	B2 *	5/2007	Gormick et al.	206/320
7,234,594	B2 *	6/2007	Niimi	206/314
D585,191	S *	1/2009	Allen et al.	D3/204
2009/0071861	A1 *	3/2009	Wang et al.	206/523

\* cited by examiner

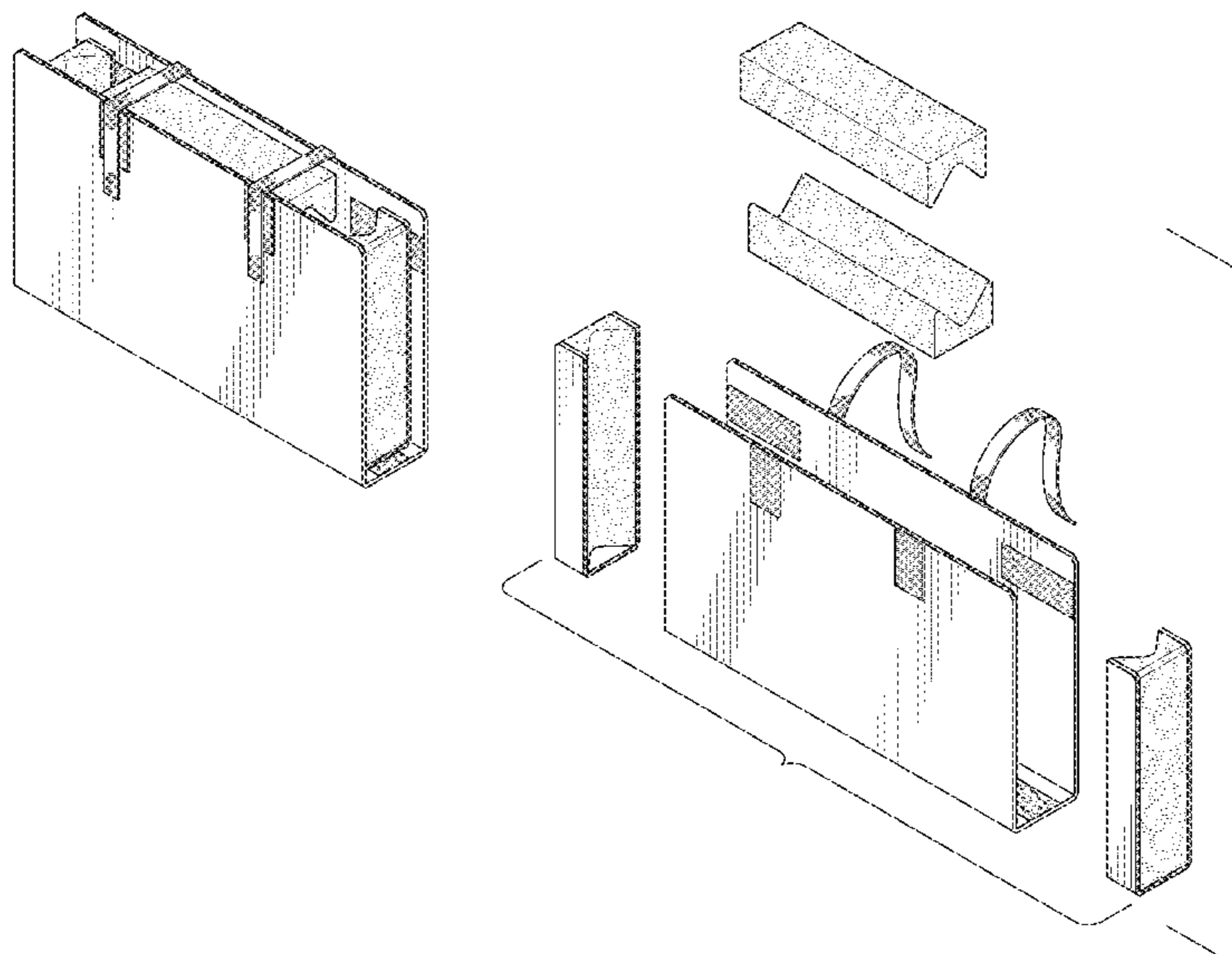
*Primary Examiner* — Caron D Veynar  
*Assistant Examiner* — Martie K Holtje  
 (74) *Attorney, Agent, or Firm* — Andrew W. Chu; Craft Chu PLLC

(57) **CLAIM**  
 The ornamental design for a transport box, as shown and described.

**DESCRIPTION**

FIG. 1 is an upper perspective view of the transport box showing my design.  
 FIG. 2 is a side elevation view thereof;  
 FIG. 3 is an opposite side view thereof;  
 FIG. 4 is a top plan view thereof;  
 FIG. 5 is a bottom plan view thereof;  
 FIG. 6 is an end elevation view thereof;  
 FIG. 7 is an opposite end elevation view thereof;  
 FIG. 8 is an upper perspective view thereof shown in an exploded condition; and,  
 FIG. 9 is an upper perspective view thereof with the braces in an alternate configuration with respect to FIG. 1.  
 The transport box has been designed for packaging smaller items for transport into a regular and consistent shape.

**1 Claim, 4 Drawing Sheets**



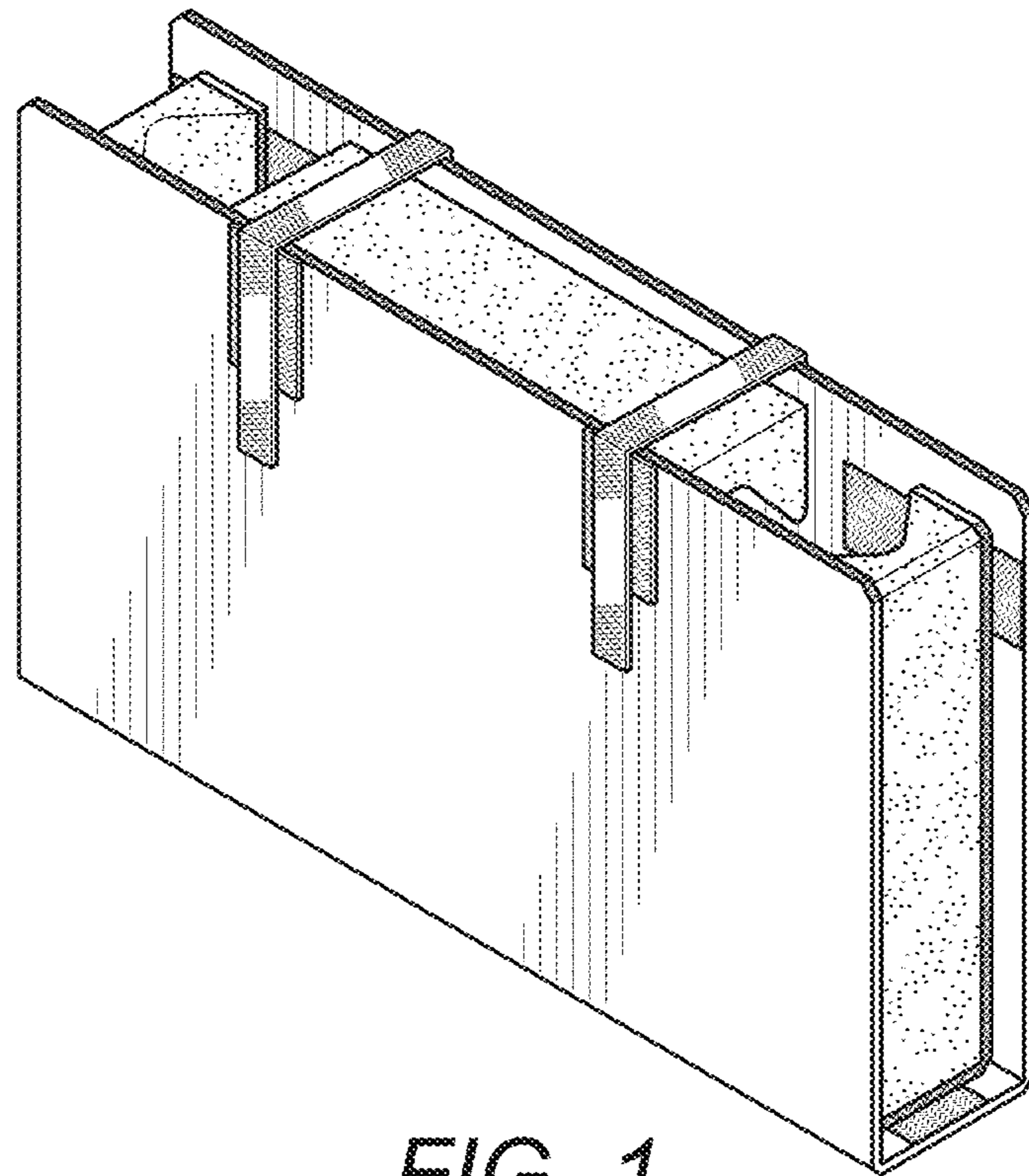


FIG. 1

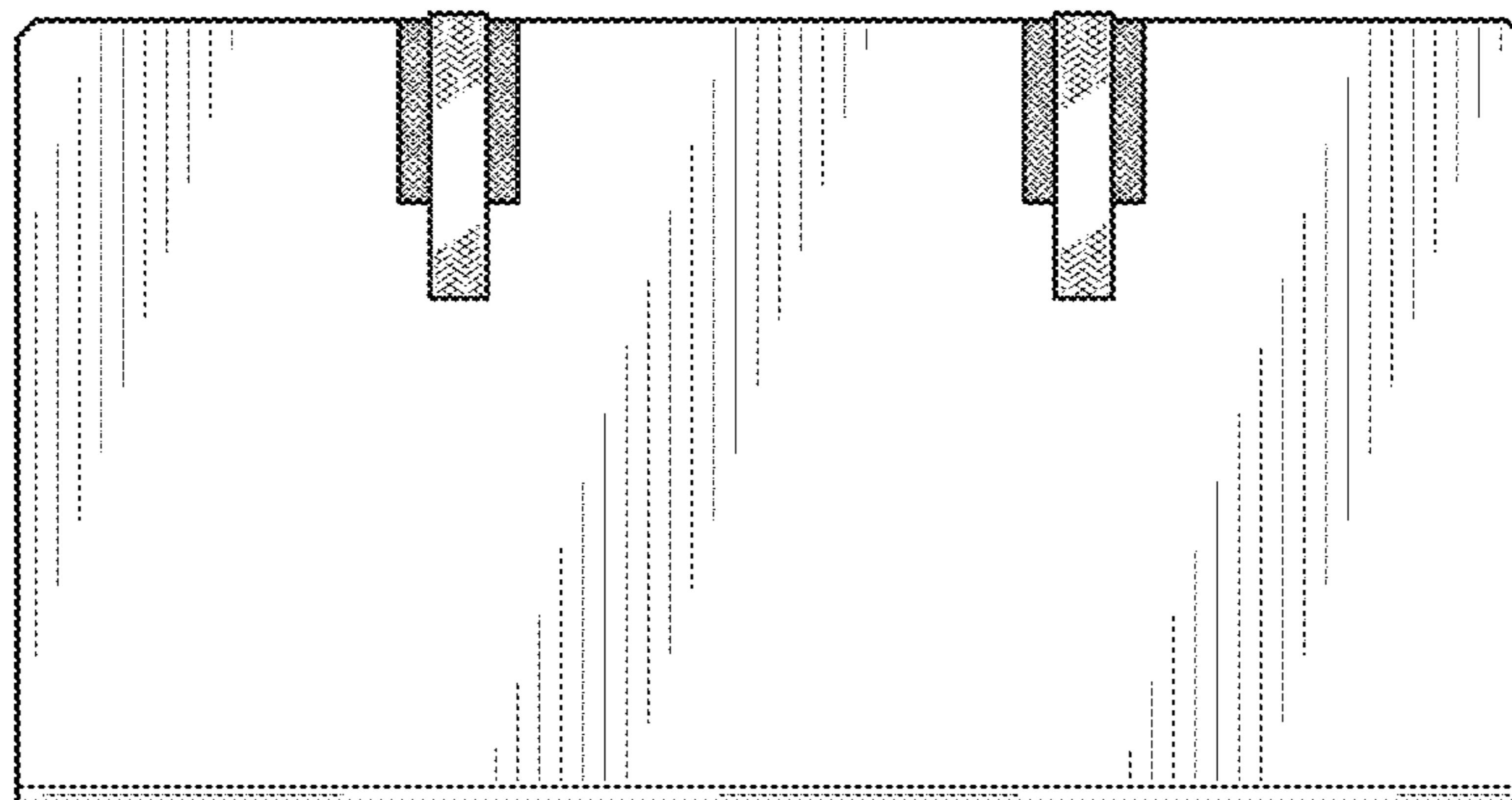


FIG. 2

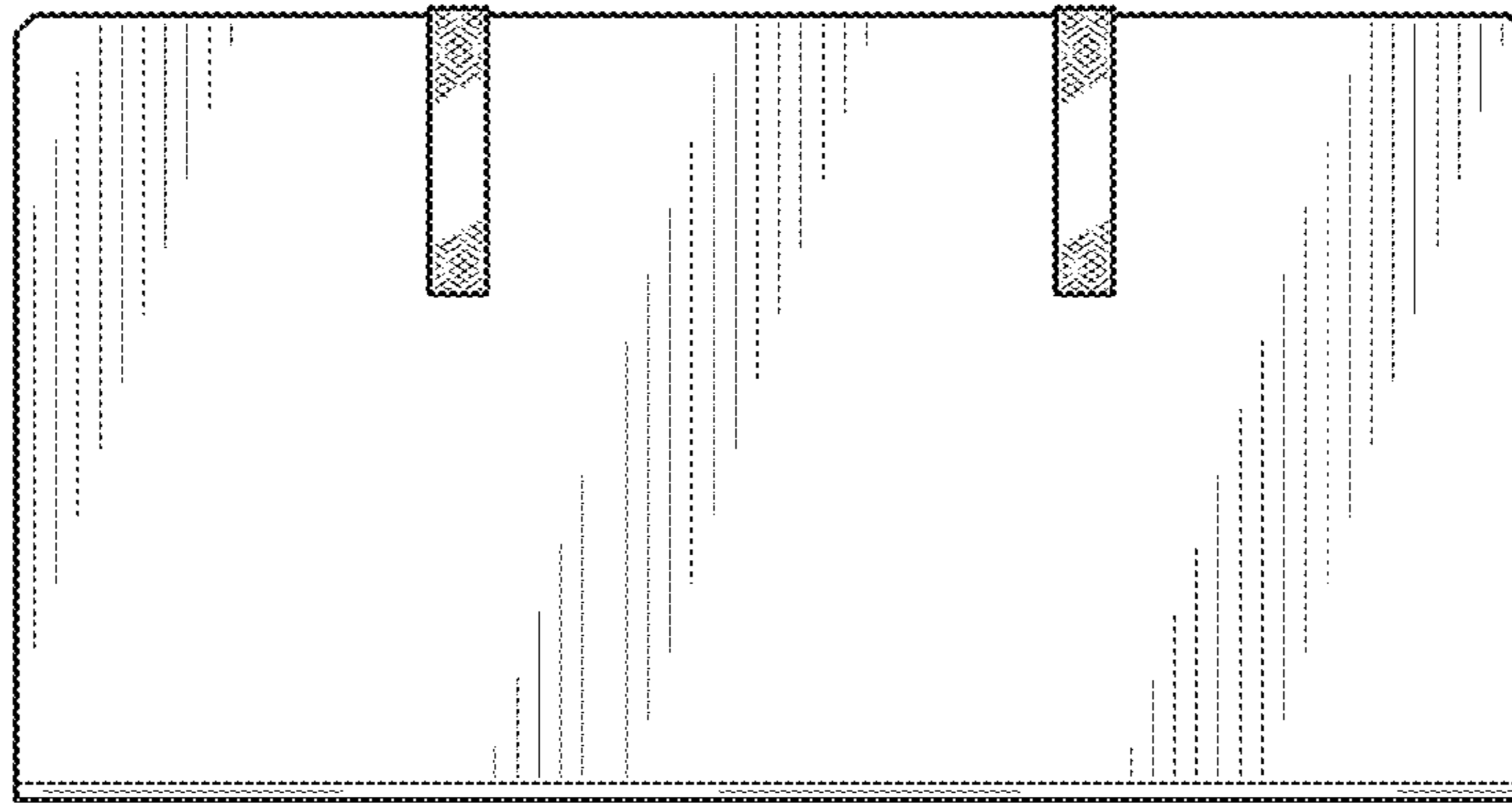


FIG. 3

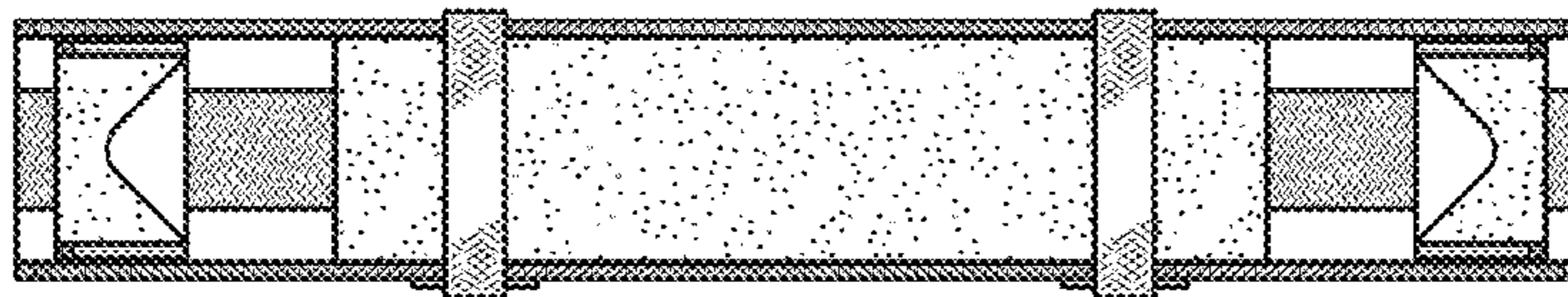


FIG. 4

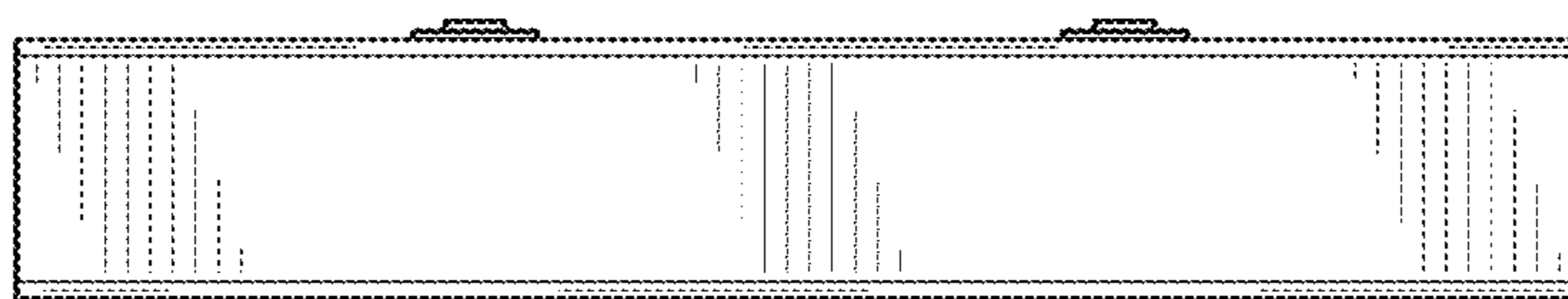


FIG. 5

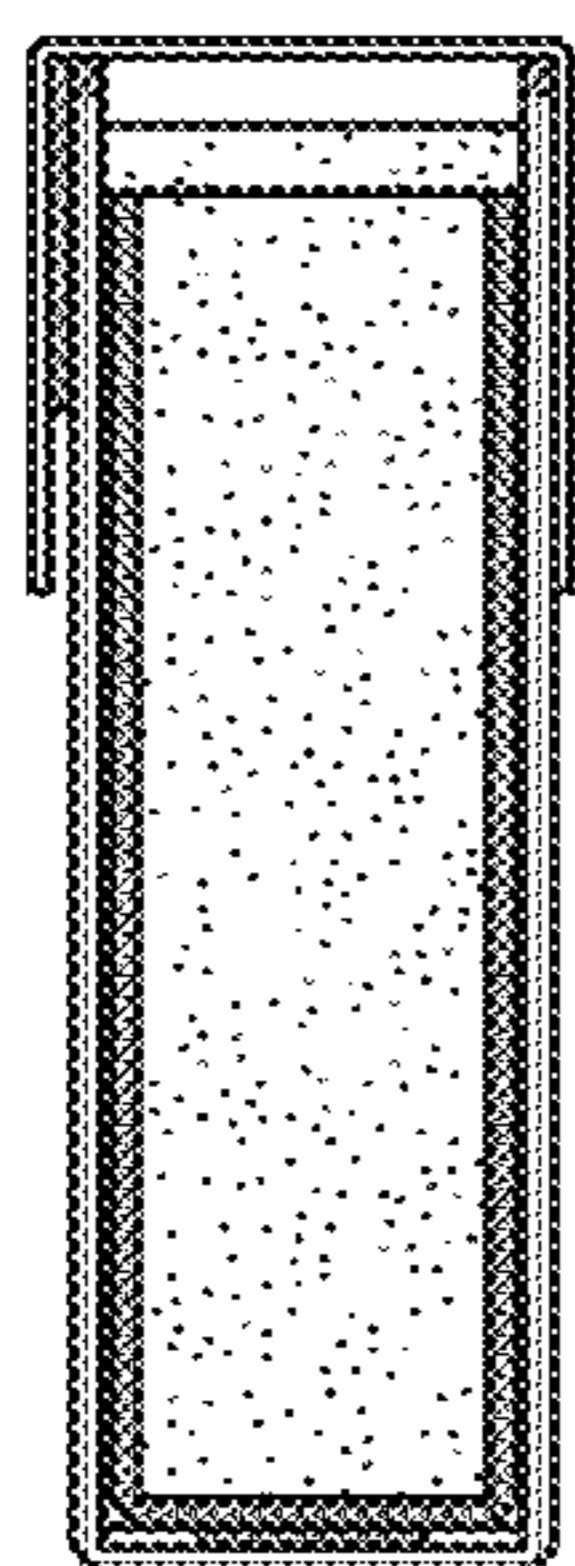


FIG. 6

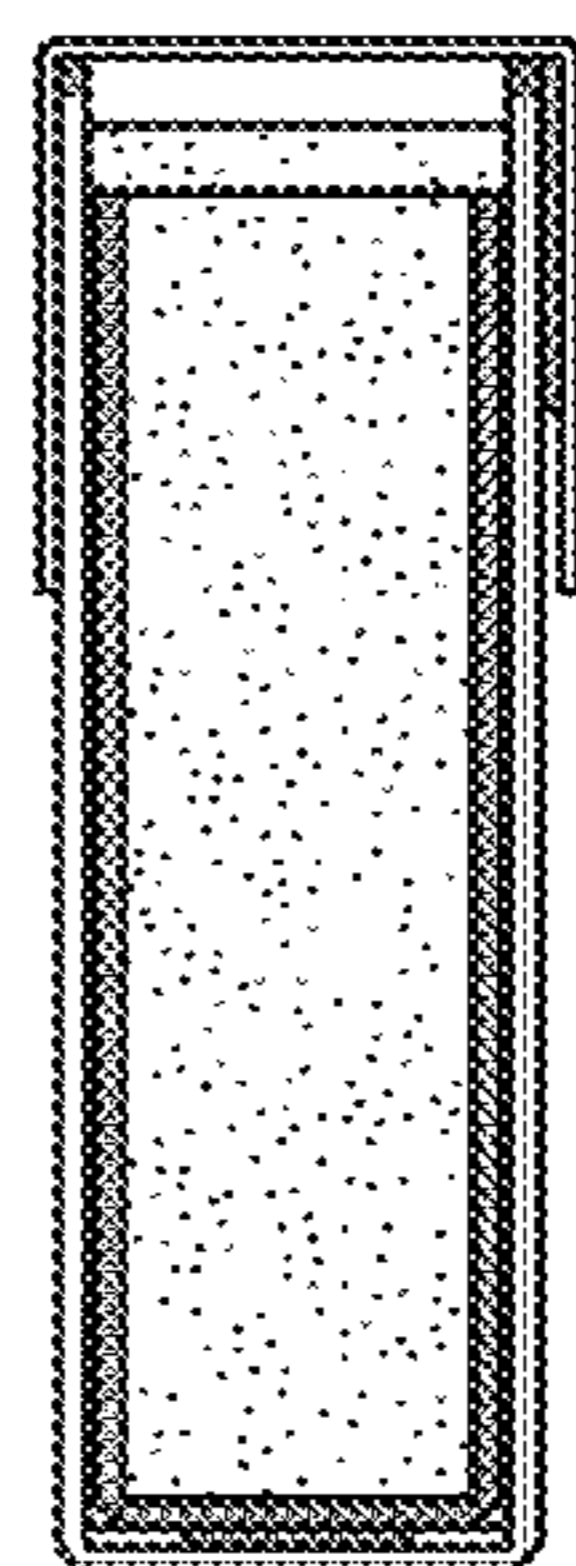


FIG. 7

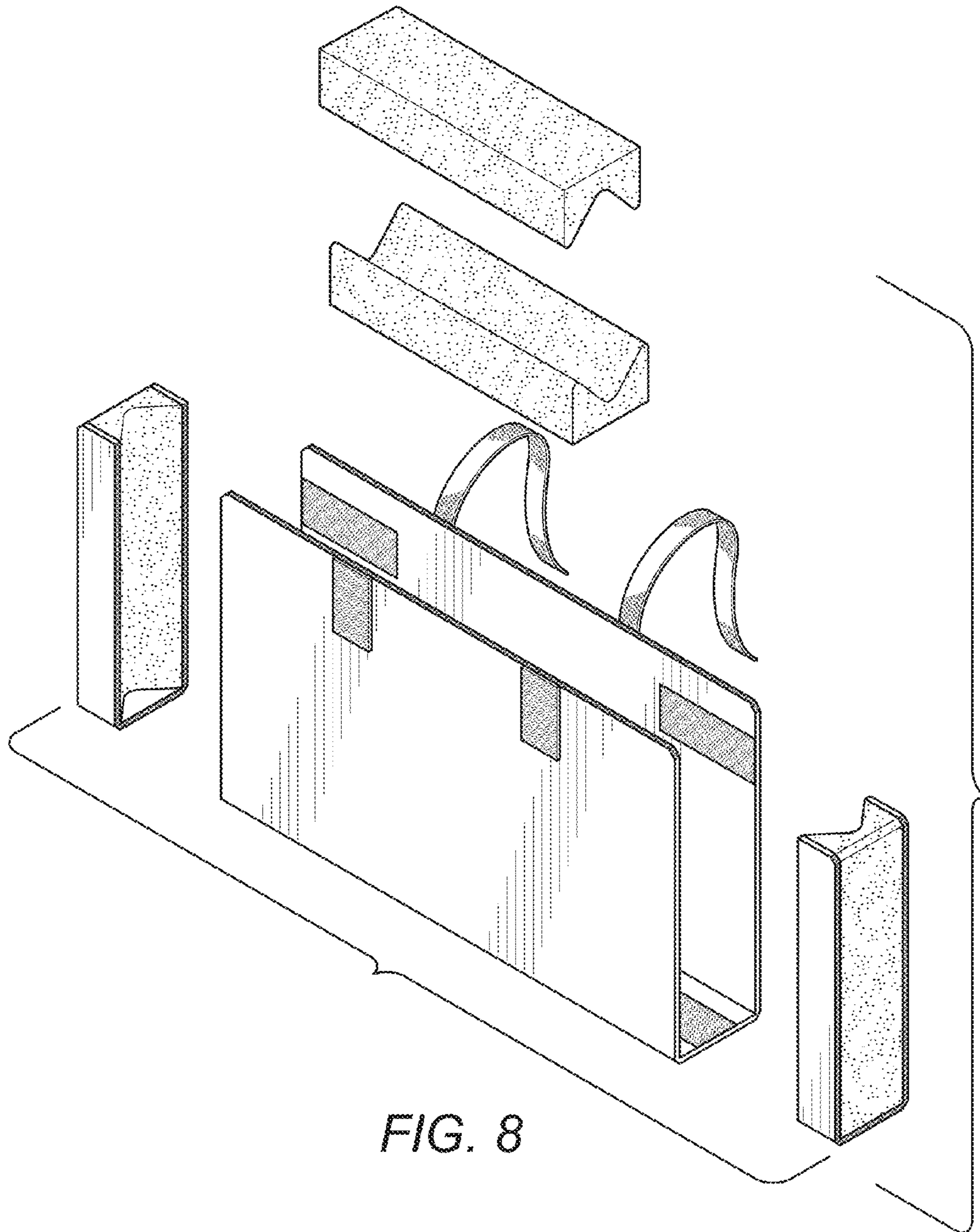
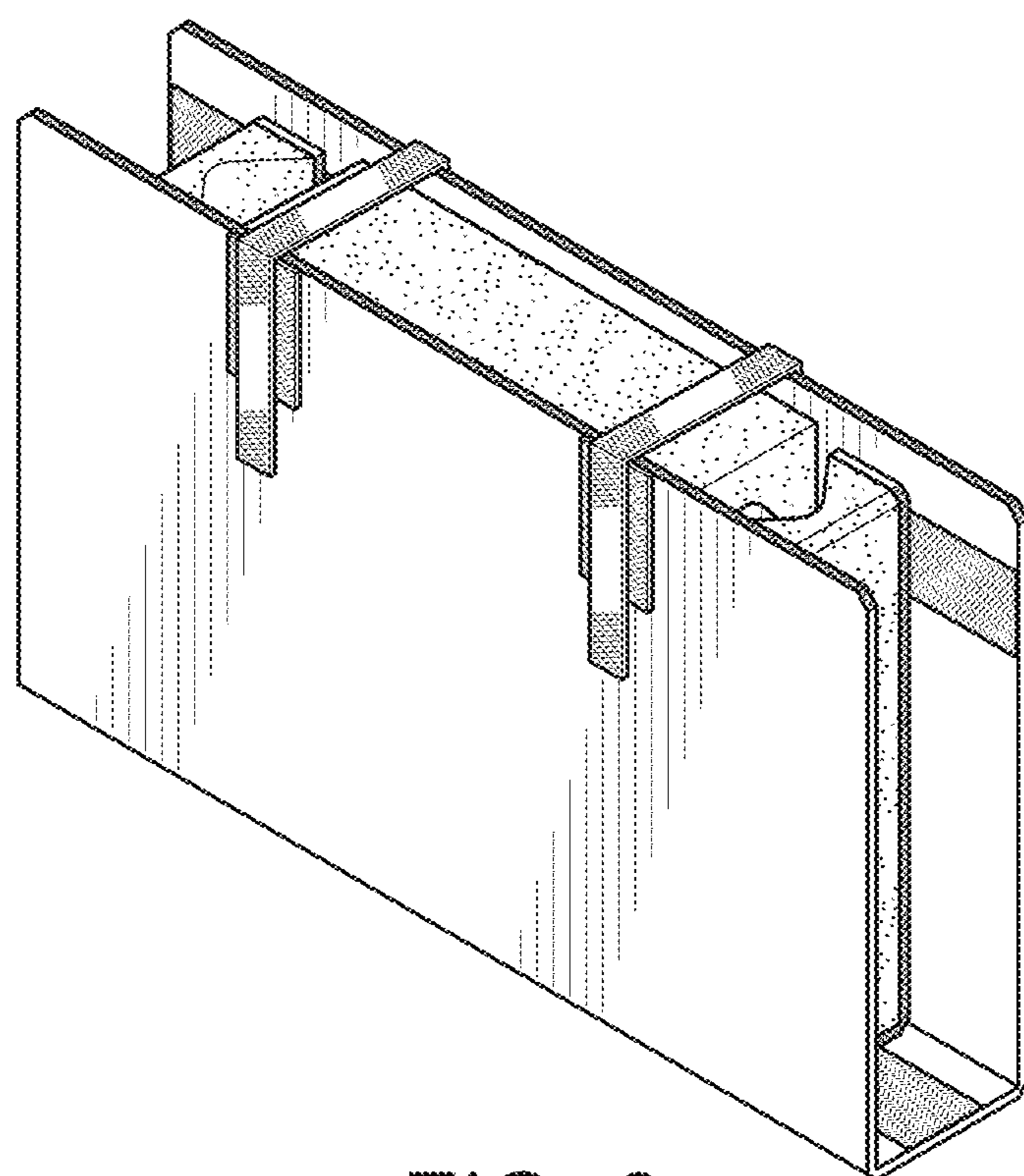


FIG. 8



*FIG. 9*