



US00D693999S

(12) **United States Design Patent**
Alexander

(10) **Patent No.:** **US D693,999 S**

(45) **Date of Patent:** **** Nov. 26, 2013**

(54) **PILL BOX**

(71) Applicant: **Mark Alexander**, Paradise, UT (US)

(72) Inventor: **Mark Alexander**, Paradise, UT (US)

(**) Term: **14 Years**

(21) Appl. No.: **29/445,447**

(22) Filed: **Feb. 12, 2013**

(51) **LOC (9) Cl.** **03-01**

(52) **U.S. Cl.**
USPC **D3/203.2**

(58) **Field of Classification Search**
USPC D3/201–205, 272–273, 276, 281–282,
D3/294; 206/532–540, 809; 220/4.21,
220/4.23, 377, 602, 663, 835, 839
See application file for complete search history.

(56) **References Cited**

U.S. PATENT DOCUMENTS

2,358,194	A *	9/1944	White	220/821
4,793,492	A	12/1988	Halbich	206/538
5,020,037	A	5/1991	Raven	368/10
5,860,550	A *	1/1999	Miller et al.	206/535
D427,425	S *	7/2000	Stahl	D3/203.1
6,247,595	B1 *	6/2001	Omata et al.	206/534.2

8,068,931	B2	11/2011	Tran et al.	700/236
D675,434	S *	2/2013	Vernall et al.	D3/294
2008/0105588	A1	5/2008	Tran et al.	206/534
2010/0288672	A1	11/2010	Murphy	206/538
2013/0001228	A1	1/2013	Newberry et al.	220/265

* cited by examiner

Primary Examiner — Catheri Oliver-Garcia

(74) *Attorney, Agent, or Firm* — Michael R. Schramm

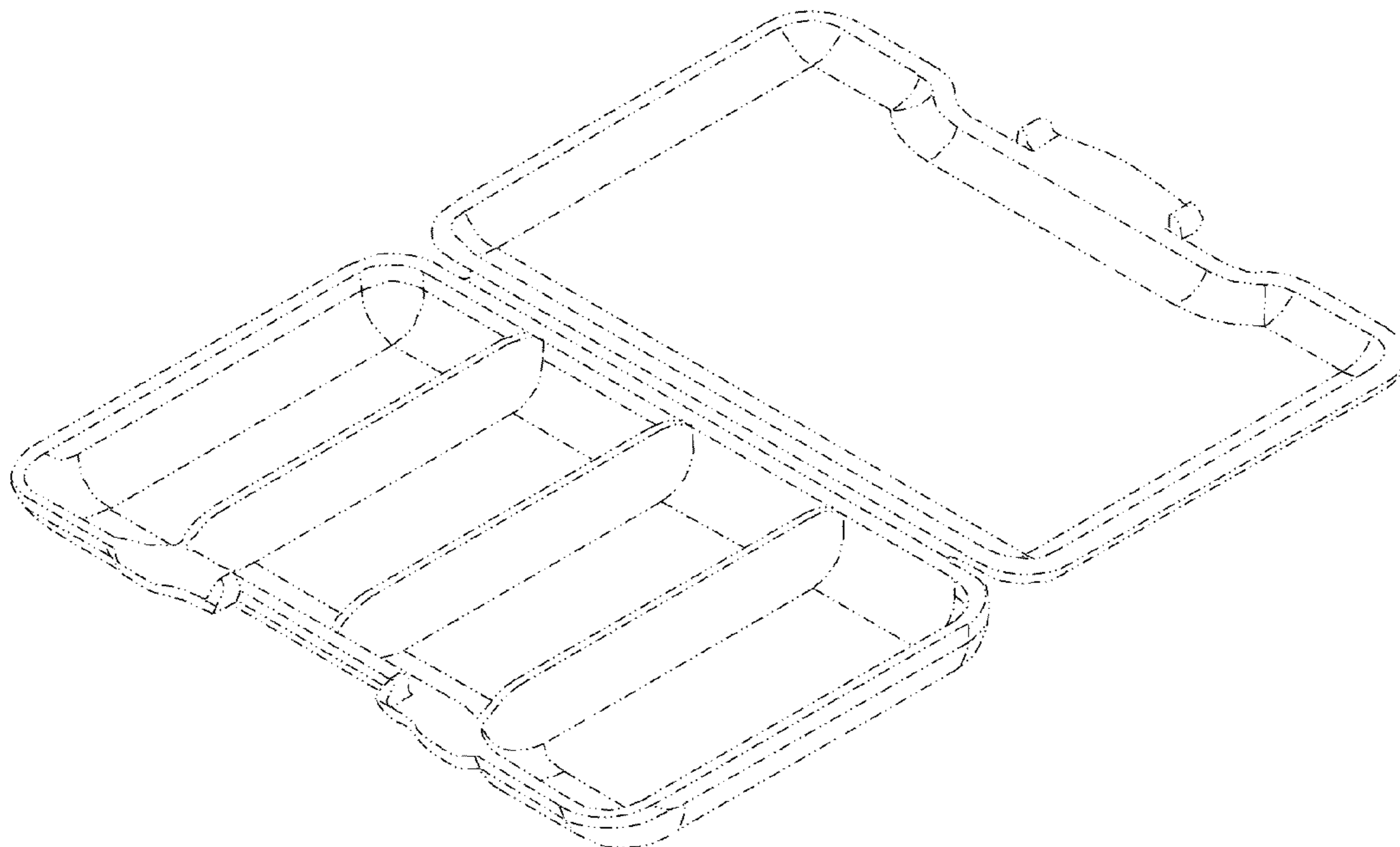
(57) **CLAIM**

The ornamental design for a pill box, as shown and described.

DESCRIPTION

FIG. 1 is a top, front and side trimetric view of the pill box in a closed orientation showing my new design;
 FIG. 2 is a front view thereof in a closed orientation;
 FIG. 3 is a rear view thereof in a closed orientation;
 FIG. 4 is a right side view thereof in a closed orientation;
 FIG. 5 is a left side view thereof in a closed orientation;
 FIG. 6 is a top view thereof in a closed orientation;
 FIG. 7 is a bottom view thereof in a closed orientation, and;
 FIG. 8 is a top, front and side trimetric view of the pill box in an open orientation.
 The “dot-dot-dash” broken lines in the figures are for illustrative purposes only and form no part of the claimed design.

1 Claim, 6 Drawing Sheets



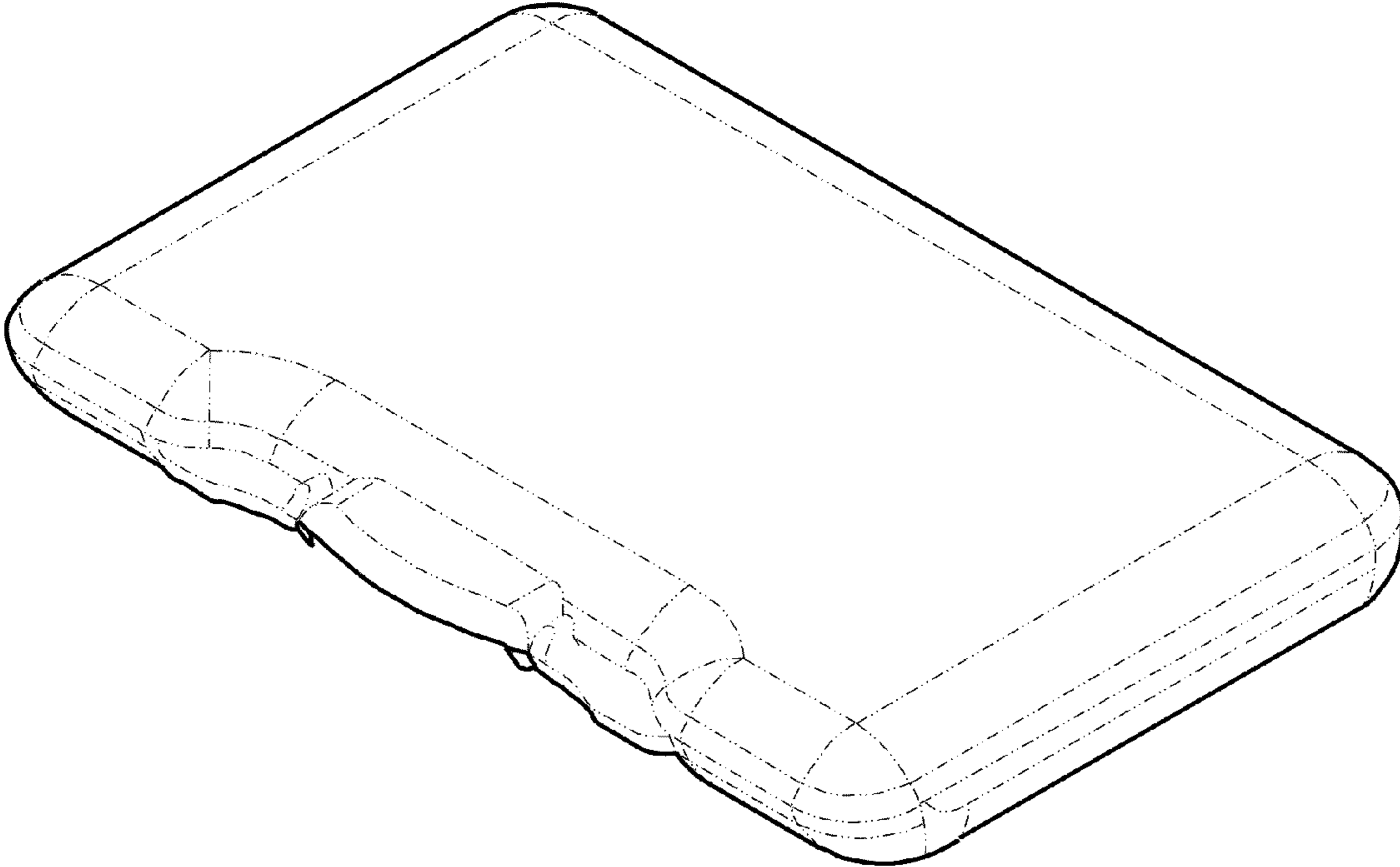


Figure 1

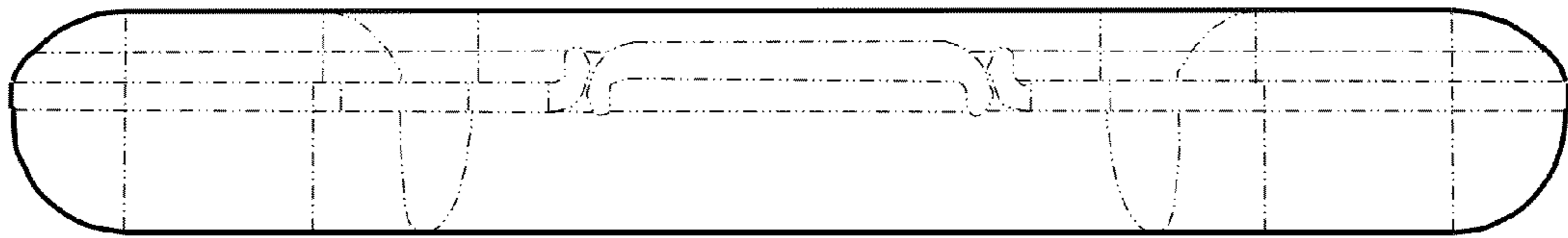


Figure 2

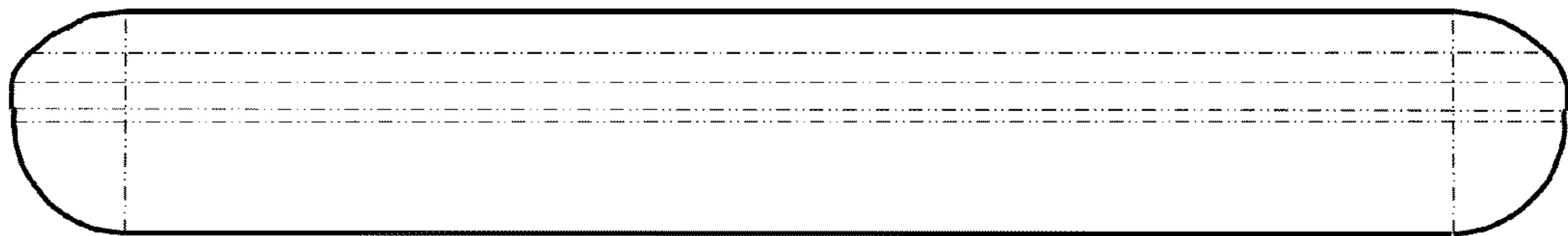


Figure 3

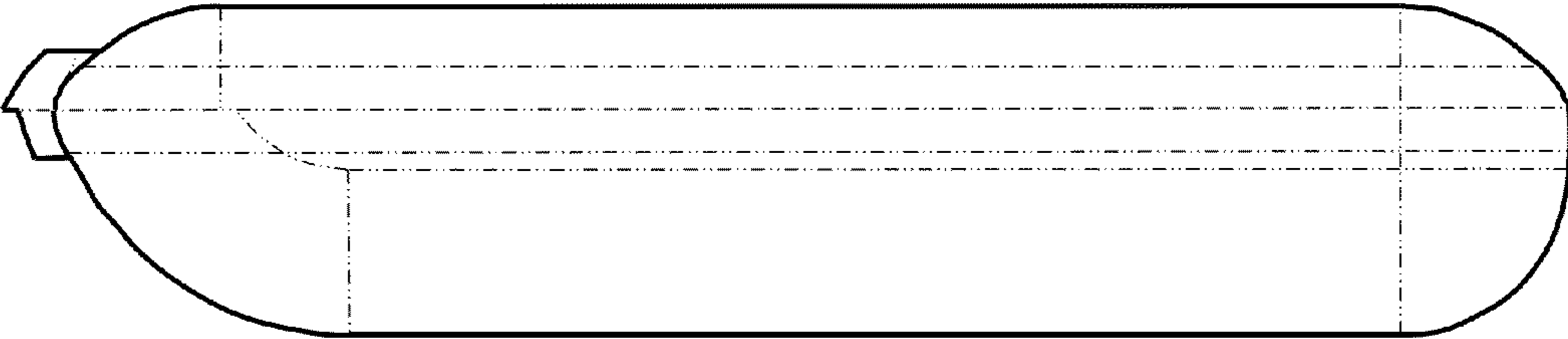


Figure 4

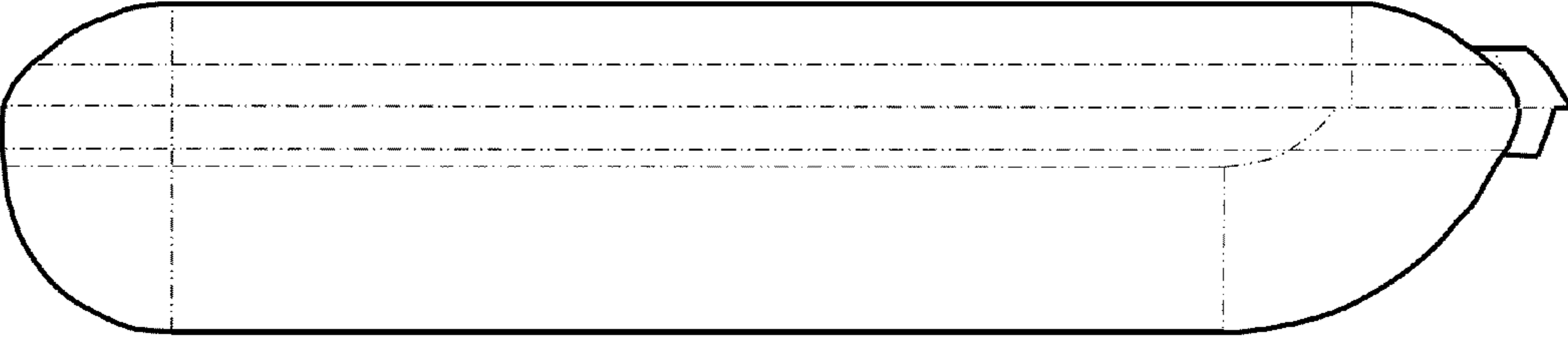


Figure 5

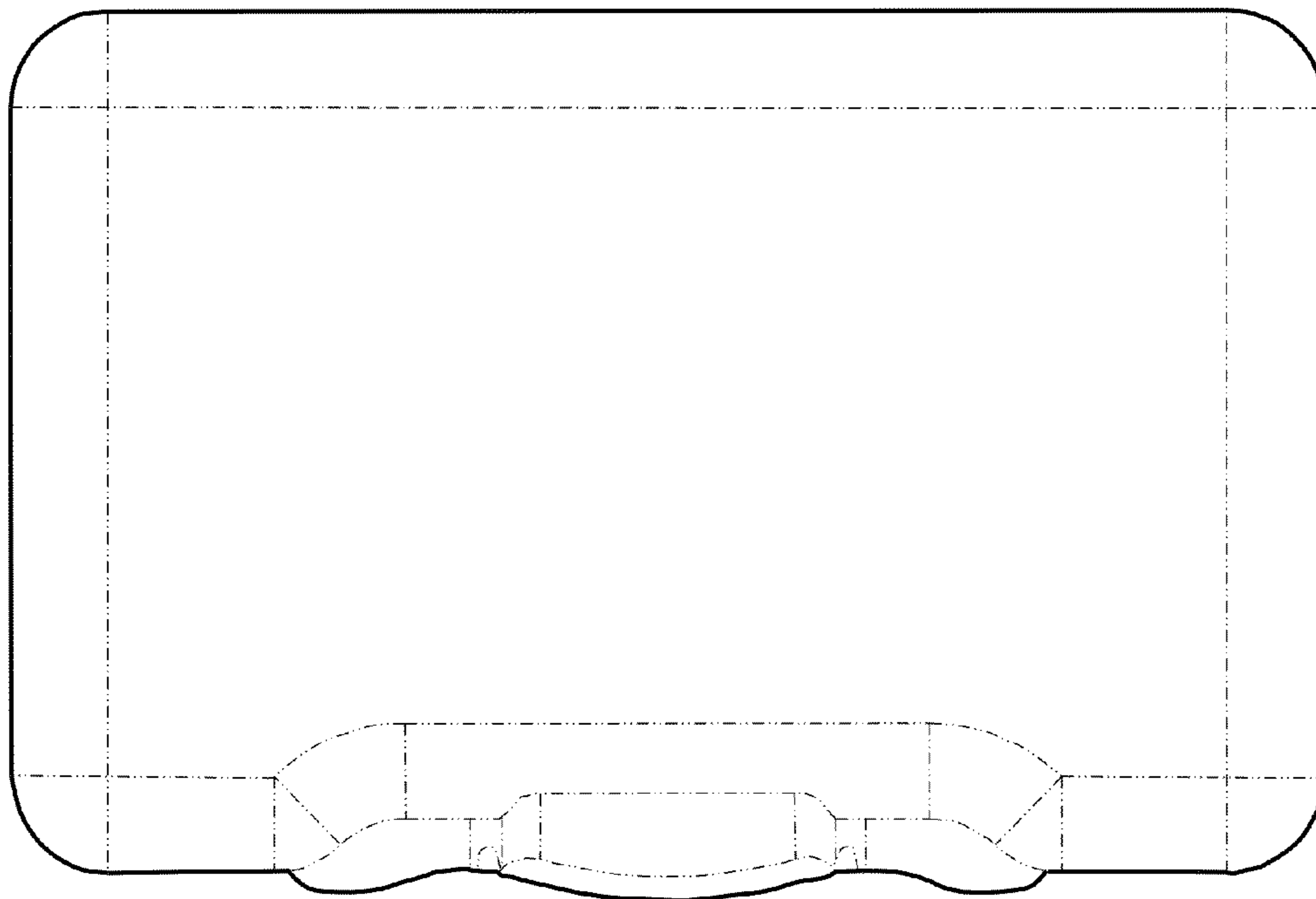


Figure 6

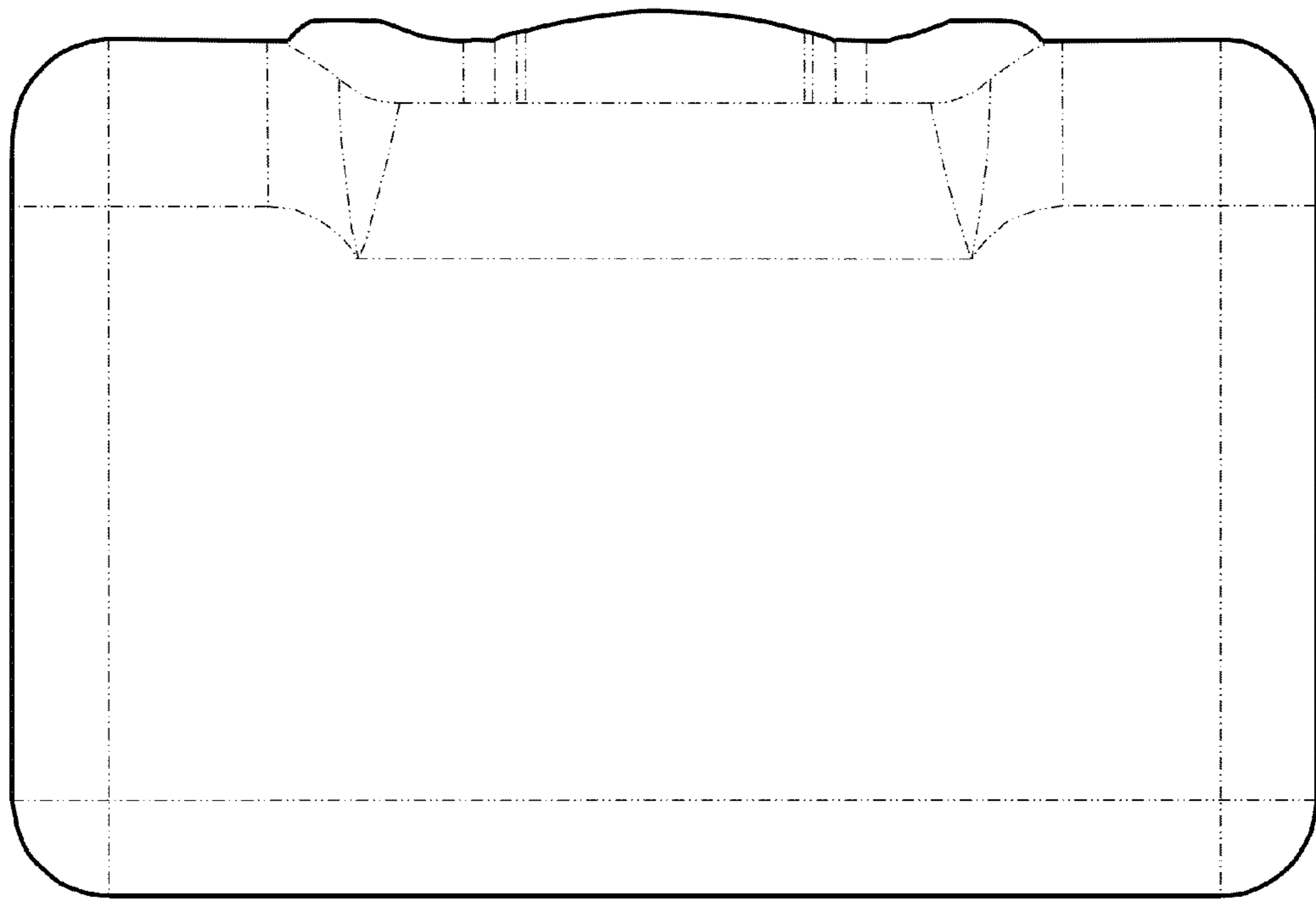


Figure 7

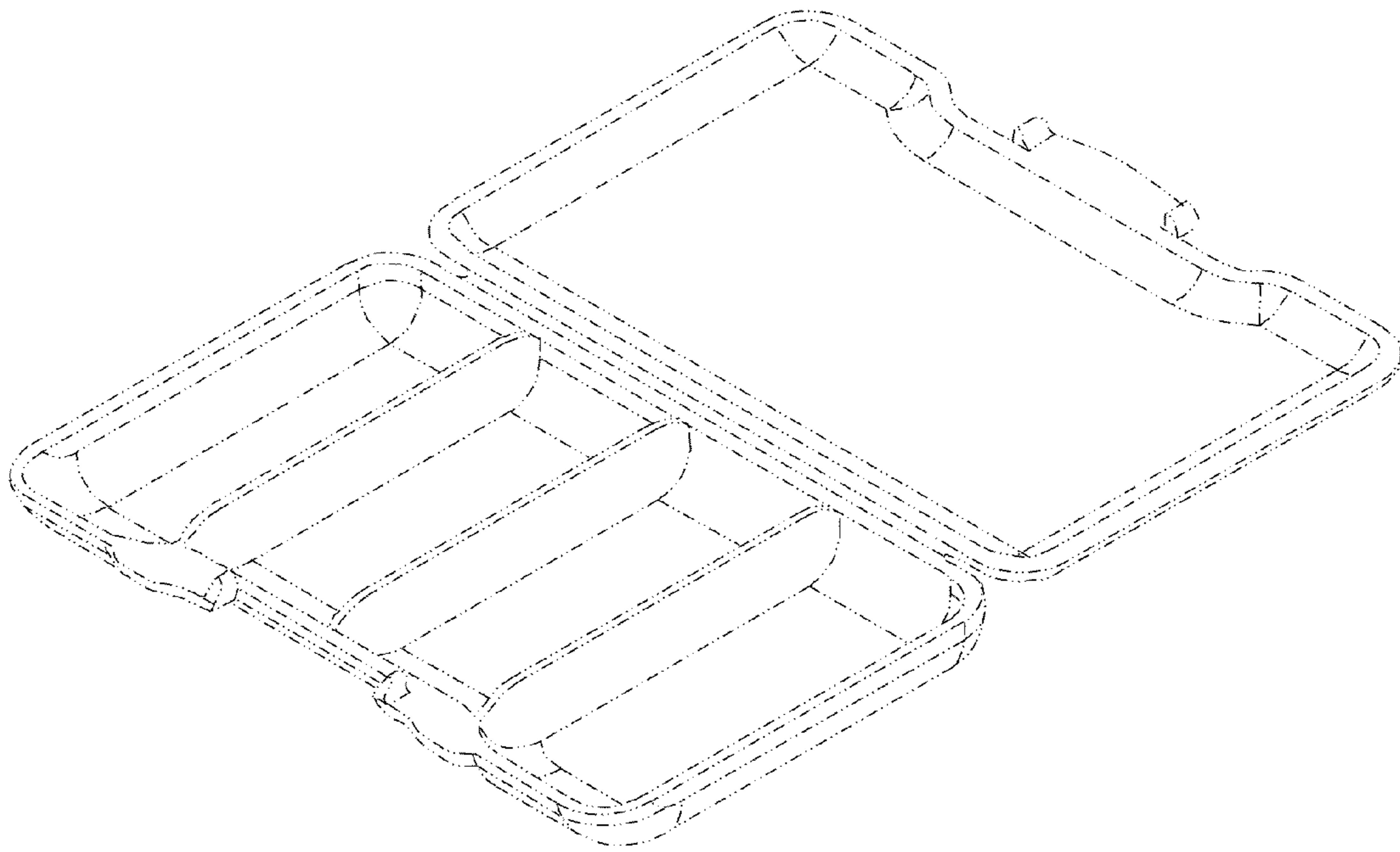


Figure 8