



US00D693994S

(12) **United States Design Patent**
Brown

(10) **Patent No.:** **US D693,994 S**

(45) **Date of Patent:** **** Nov. 26, 2013**

(54) **FOOTBALL HELMET HAT**

(76) Inventor: **Wallace Brown**, Homewood, IL (US)

(**) Term: **14 Years**

(21) Appl. No.: **29/432,113**

(22) Filed: **Sep. 13, 2012**

(51) **LOC (9) Cl.** **02-03**

(52) **U.S. Cl.**
USPC **D2/870**

(58) **Field of Classification Search**

USPC D2/865, 866, 867, 868, 870, 874, 878,
D2/880, 881, 889; D29/102, 103, 104,
D29/105, 106, 107, 108, 109, 110, 111,
D29/122; 2/6.1, 6.2, 10, 68, 171, 175.2,
2/200.1, 200.2, 202, 205, 209.7, 410, 423

See application file for complete search history.

(56) **References Cited**

U.S. PATENT DOCUMENTS

D52,781 S *	12/1918	Budweiser	D29/106
1,655,007 A *	1/1928	Boettge	2/6.1
1,687,346 A *	10/1928	Mondl	2/6.1
1,691,202 A *	11/1928	La Reabourne	2/6.2
D81,055 S *	4/1930	Heater	D29/106
1,754,937 A *	4/1930	Comstock	5/636
1,795,599 A *	3/1931	Grumbach	66/171
D92,706 S *	7/1934	Dahlquist	D2/869
D100,914 S *	8/1936	Brighten	D2/868
D101,010 S *	8/1936	Scherff	D2/880
2,367,459 A *	1/1945	Corley	2/209
2,647,264 A *	8/1953	Hutton	2/200.2
3,005,203 A *	10/1961	Aileo	2/423
3,205,508 A *	9/1965	Cox	2/410
3,296,582 A *	1/1967	Ide	181/125
3,366,971 A *	2/1968	Scherz	2/412
D292,342 S *	10/1987	Schlegel	D2/872
D295,800 S *	5/1988	Shelton, Jr.	D2/870

5,575,009 A *	11/1996	Ryvin	2/173
D426,938 S *	6/2000	Helbig	D2/869
D432,291 S *	10/2000	McIntyre	D2/869
D439,377 S *	3/2001	Dagan	D29/106
D459,574 S *	7/2002	Schlegel	D2/872
D482,523 S *	11/2003	Friou	D3/226
7,308,721 B1 *	12/2007	Rivera, Jr.	2/207
D656,205 S *	3/2012	Scott	D21/658
D664,741 S *	8/2012	Scott	D2/871
D681,279 S *	4/2013	Armstrong	D29/102
D683,110 S *	5/2013	Smith	D2/872
2003/0073549 A1 *	4/2003	Hatch	482/92
2006/0277664 A1 *	12/2006	Akhtar et al.	2/410

FOREIGN PATENT DOCUMENTS

CA	8655	*	3/1930
CA	73050	*	8/1993
CA	76520	*	6/1995

* cited by examiner

Primary Examiner — Karen E Eldridge Powers

(74) *Attorney, Agent, or Firm* — Dennemeyer & Associates, LLC.

(57) **CLAIM**

The ornamental design for a football helmet hat, as shown and described in the accompanying drawings.

DESCRIPTION

FIG. 1 is a perspective view of the football helmet hat; FIG. 2 is a right side elevation view of the football helmet hat; FIG. 3 is a left side elevation view of the football helmet hat; FIG. 4 is a front elevation view of the football helmet hat; FIG. 5 is a rear elevation view of the football helmet hat; FIG. 6 is a top plan view of the football helmet hat; and, FIG. 7 is a bottom plan view of the football helmet hat. The features shown in broken lines in the drawings illustrate environment that forms no part of the claimed design.

1 Claim, 6 Drawing Sheets

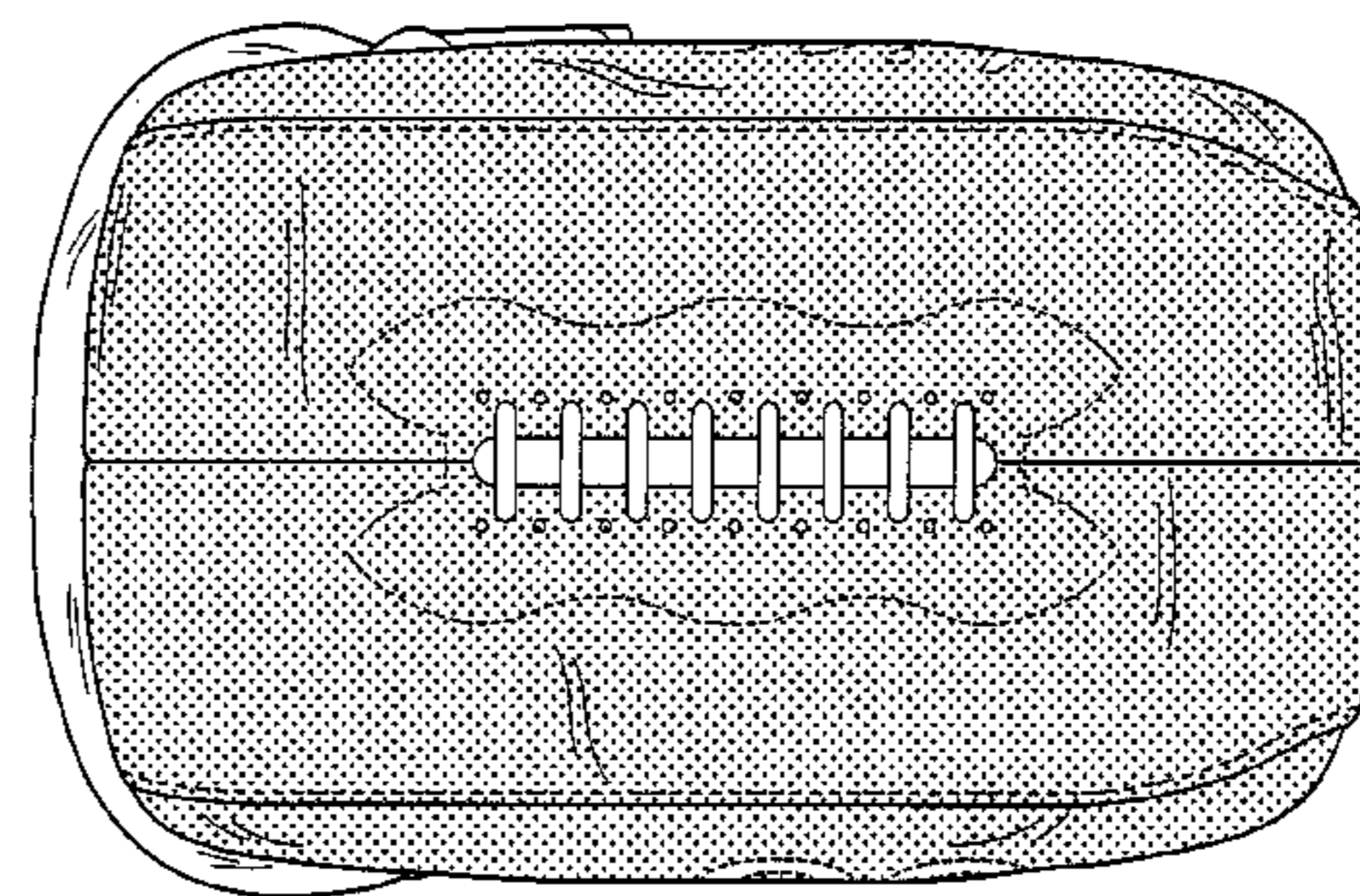




FIG. 1



FIG. 2

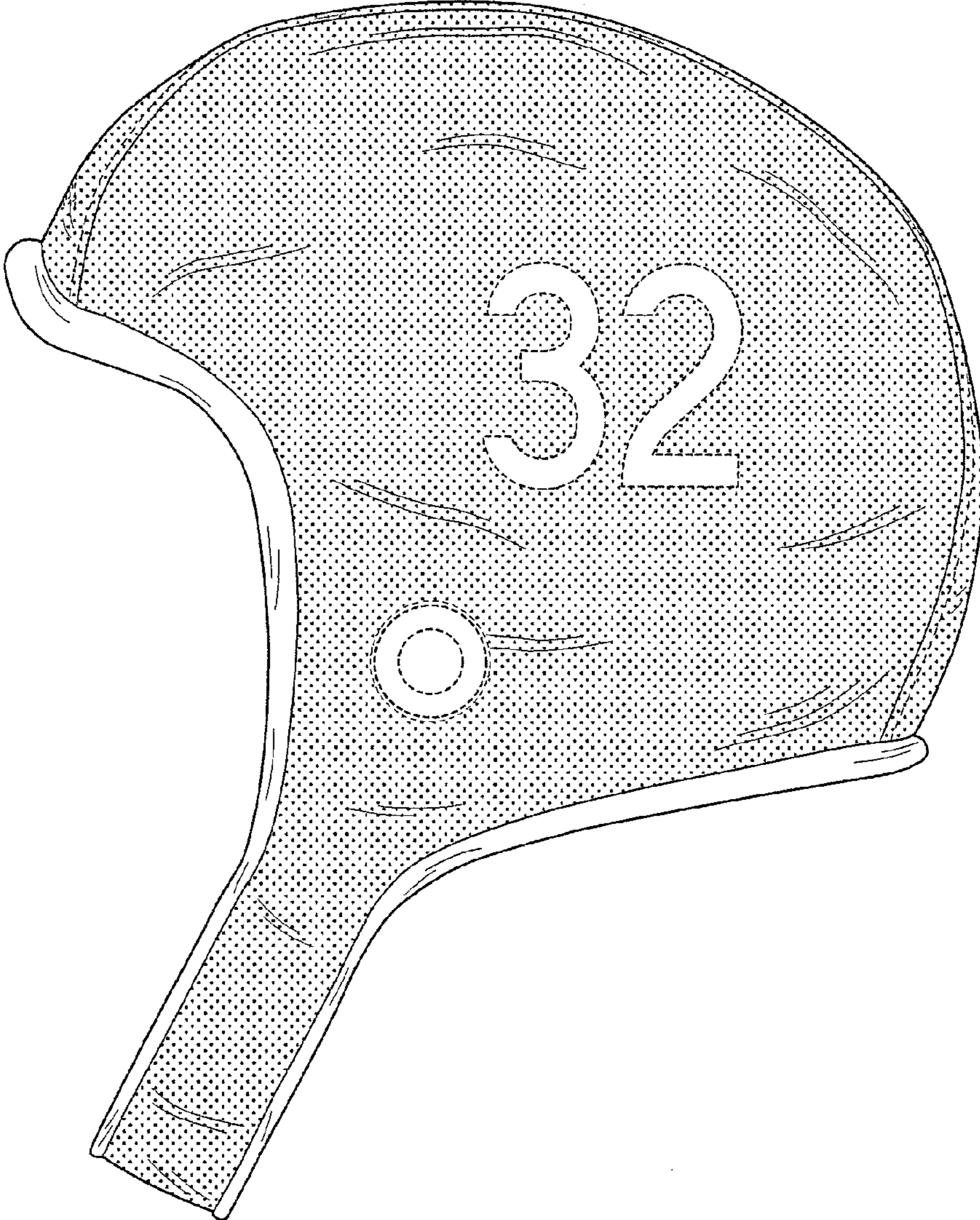


FIG. 3

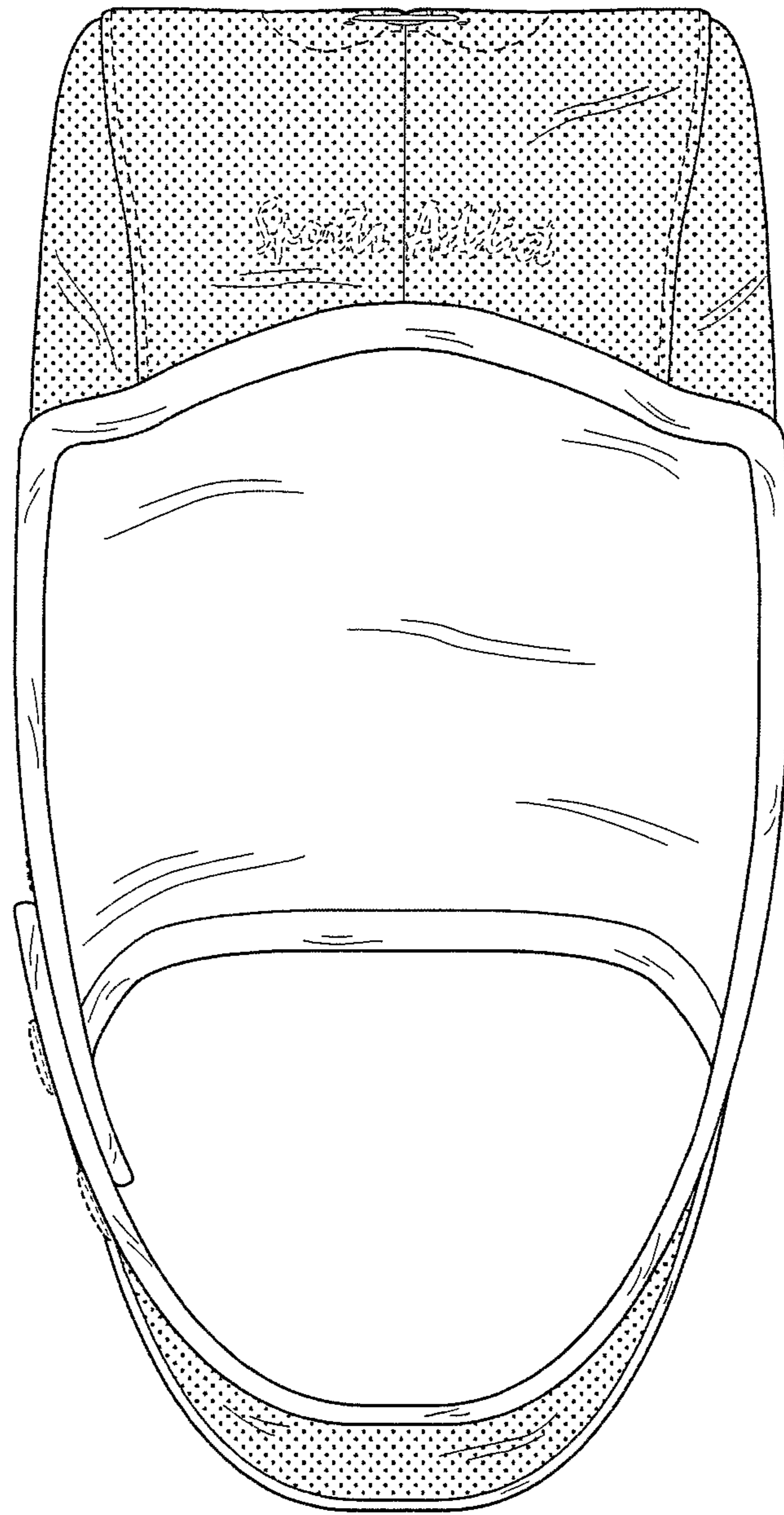


FIG. 4

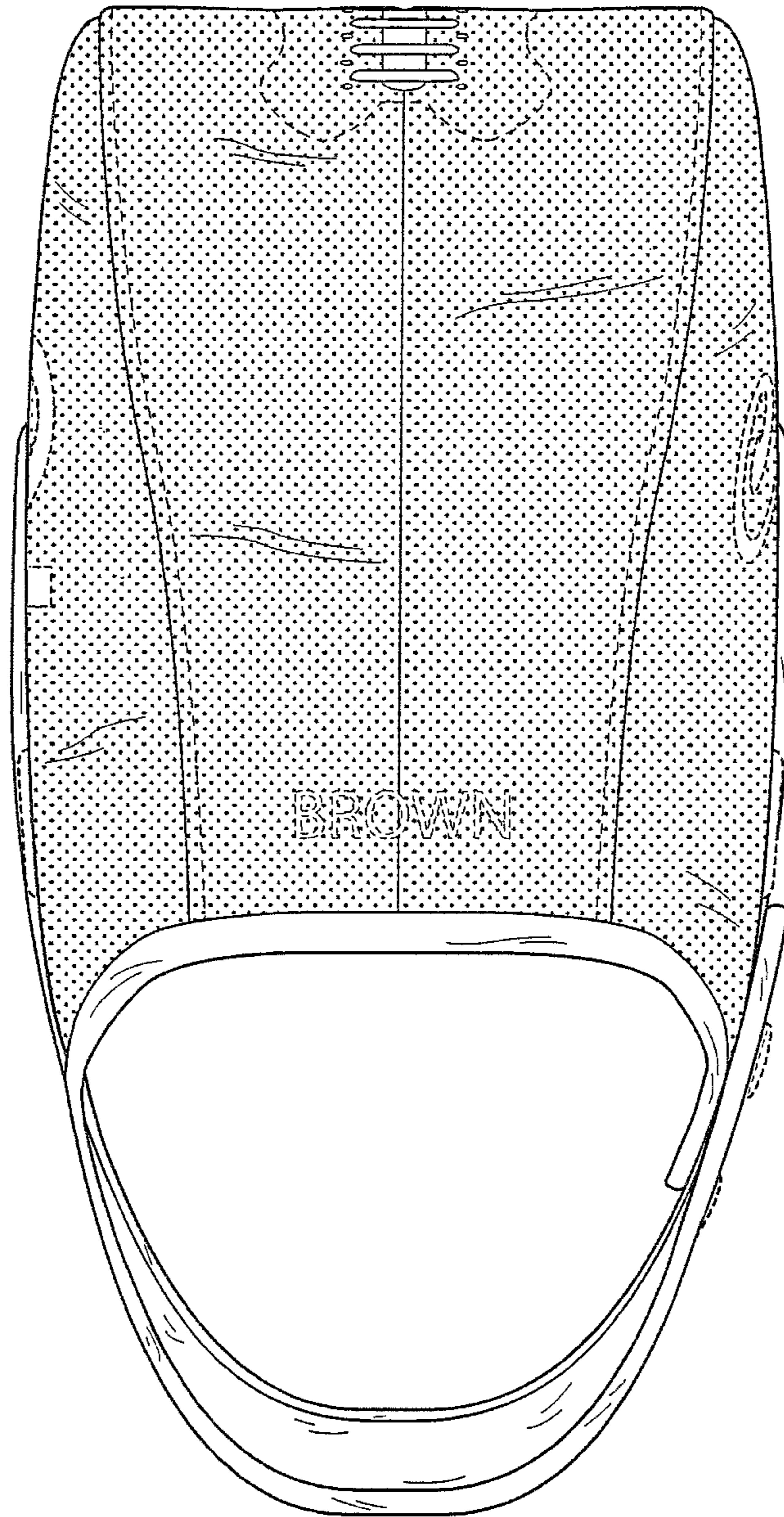


FIG. 5

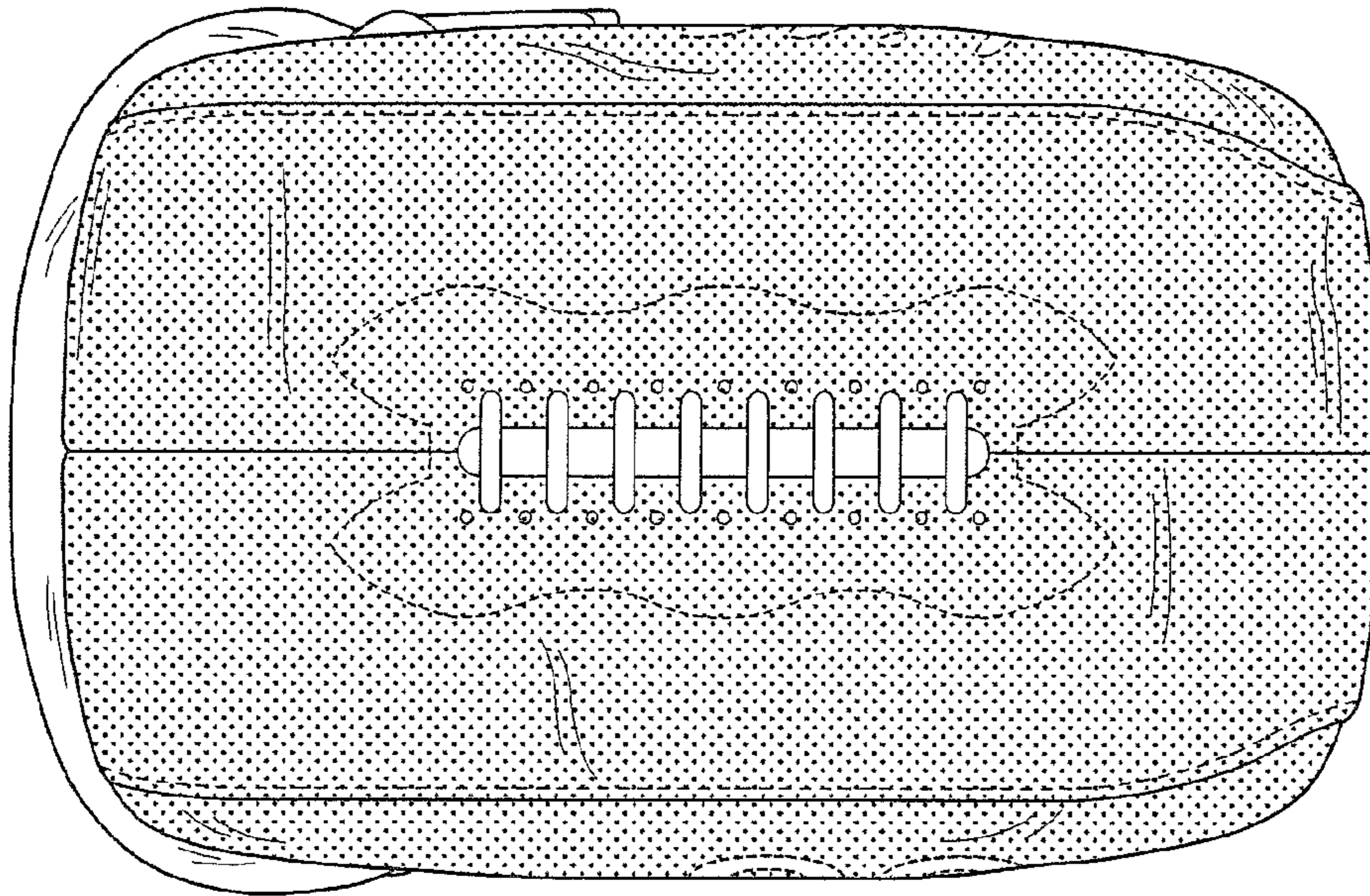


FIG. 6

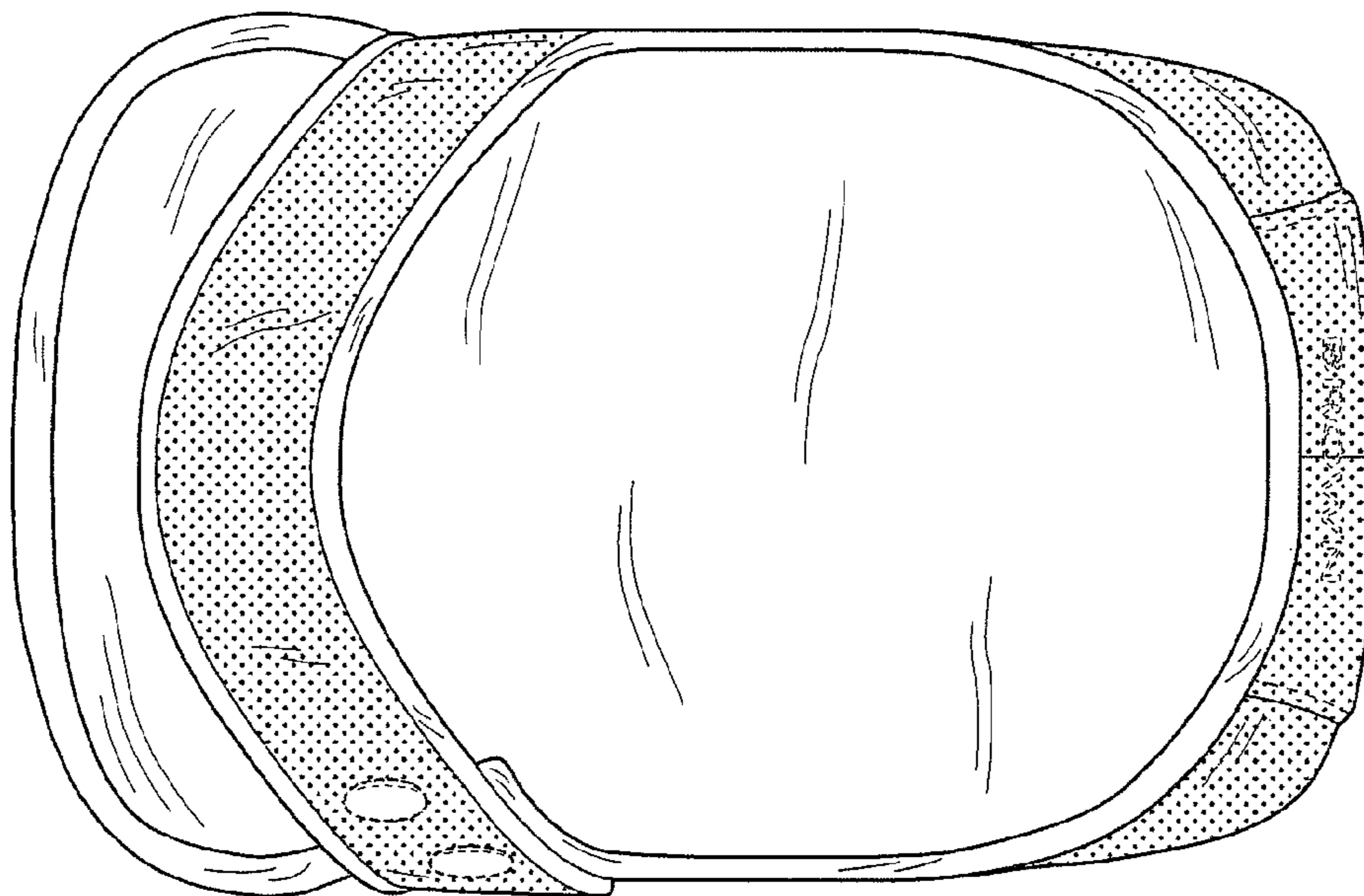


FIG. 7