



US00D693987S

(12) **United States Design Patent**
Wagner et al.

(10) **Patent No.:** **US D693,987 S**

(45) **Date of Patent:** **** Nov. 26, 2013**

(54) **ANORAK SLEEPING BAG**

(75) Inventors: **Benjamin Wagner**, Portland, OR (US);
Kharma Albert Vella, Portland, OR (US)

(73) Assignee: **Poler, LLC**, Draper, UT (US)

(**) Term: **14 Years**

(21) Appl. No.: **29/414,592**

(22) Filed: **Feb. 29, 2012**

(51) **LOC (9) Cl.** **02-01**

(52) **U.S. Cl.**
USPC **D2/719**

(58) **Field of Classification Search**
USPC D2/700, 718, 719, 728, 824, 825, 830,
D2/831; 2/69, 69.5, 70, 84, 93, 96, 102,
2/914; 5/413 R, 494; 128/873
See application file for complete search history.

(56) **References Cited**

U.S. PATENT DOCUMENTS

2,911,651	A *	11/1959	Nye et al.	2/84
3,381,306	A *	5/1968	Innes	2/69
3,564,629	A *	2/1971	Rogius	5/413 R
3,924,273	A	12/1975	Donovan	
3,959,834	A *	6/1976	Hunt	5/413 R
4,103,377	A	8/1978	Mayer	
4,125,910	A	11/1978	Nicholai	
4,507,805	A	4/1985	Calutoiu	
D405,585	S *	2/1999	Stevens	D2/719
6,018,830	A *	2/2000	Howe	5/413 R
6,061,831	A	5/2000	Rudolph	
D487,836	S	3/2004	Cowdin	
7,647,656	B2	1/2010	Smith	
7,766,950	B2	8/2010	Castellani	
D641,136	S	7/2011	Abrams	
2008/0078027	A1 *	4/2008	Smith	5/413 R
2008/0235848	A1 *	10/2008	Wilder et al.	2/69.5

* cited by examiner

Primary Examiner — Ian Simmons

Assistant Examiner — Richelle Shelton

(74) *Attorney, Agent, or Firm* — James R. Cypher; Charles R. Cypher

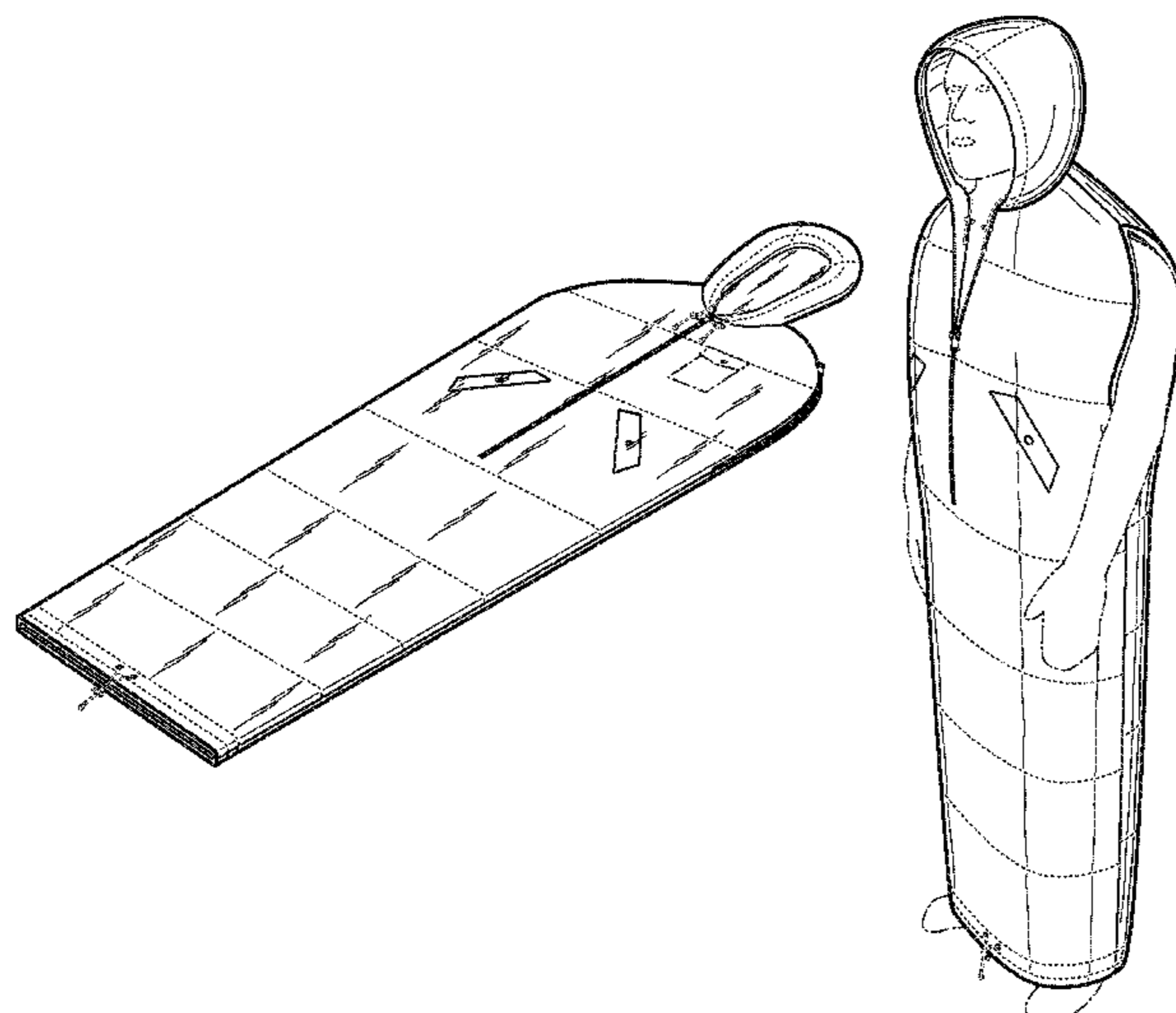
(57) **CLAIM**

The ornamental design for an anorak sleeping bag, as shown and described.

DESCRIPTION

FIG. 1 is a front, right side perspective view of an anorak sleeping bag showing our new design; FIG. 2 is a front elevation view thereof; FIG. 3 is a left side elevation view thereof; FIG. 4 is a rear elevation view thereof; FIG. 5 is a top plan view thereof; FIG. 6 is a bottom plan view thereof. FIG. 7 is a perspective view of the anorak sleeping bag shown in use worn full length; FIG. 8 is a perspective view thereof; FIG. 9 is a front elevation view thereof; FIG. 10 is left side elevation view thereof; FIG. 11 is a rear elevation view thereof; FIG. 12 is a right side elevation view thereof; FIG. 13 is a top plan view thereof; FIG. 14 is a bottom plan view thereof. FIG. 15 a perspective view of the anorak sleeping bag shown in use worn half length. FIG. 16 is a perspective view thereof; FIG. 17 is front elevation view thereof; FIG. 18 is a left side view thereof; FIG. 19 is a rear elevation view thereof; FIG. 20 is a right side elevation view thereof; FIG. 21 is a top plan view thereof; and, FIG. 22 is a bottom plan view thereof. The dash-dot broken line showing of drawstings, a pocket, and a human being is included for the purpose of illustrating environment and forms no part of the claimed design. The dash-dash lines on the surface of the sleeping bag are considered to be stitching and are part of the claimed design.

1 Claim, 14 Drawing Sheets



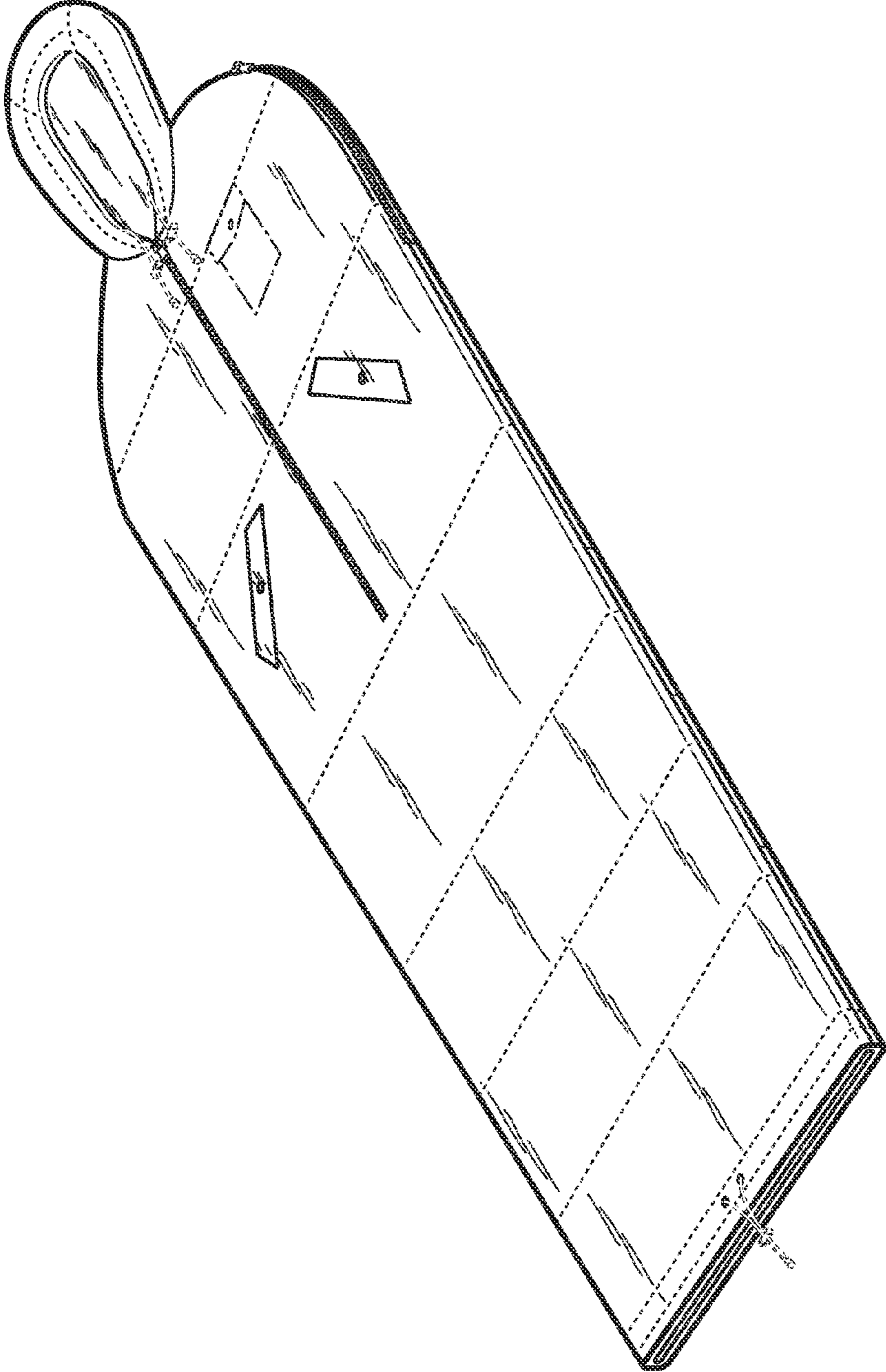


FIG. 1

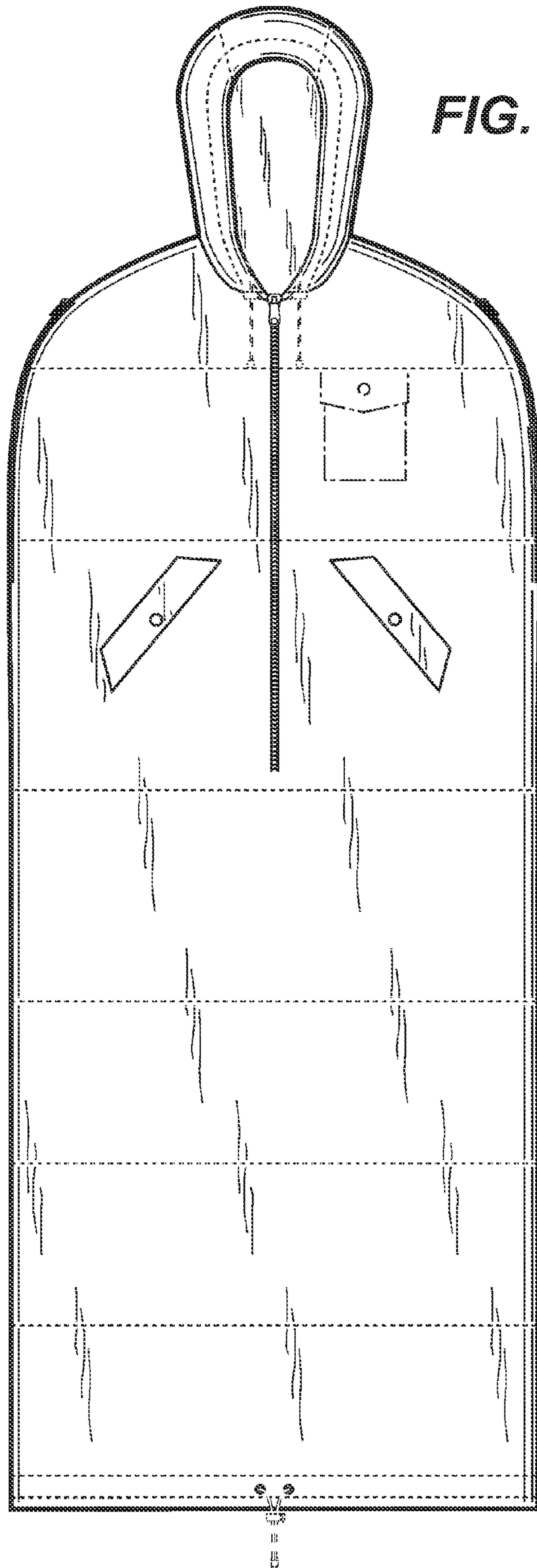


FIG. 2

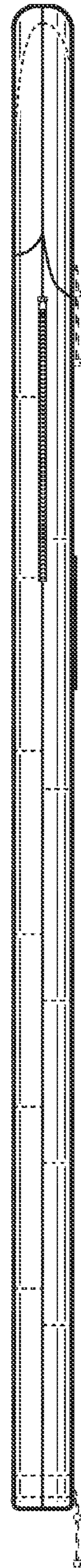


FIG. 3

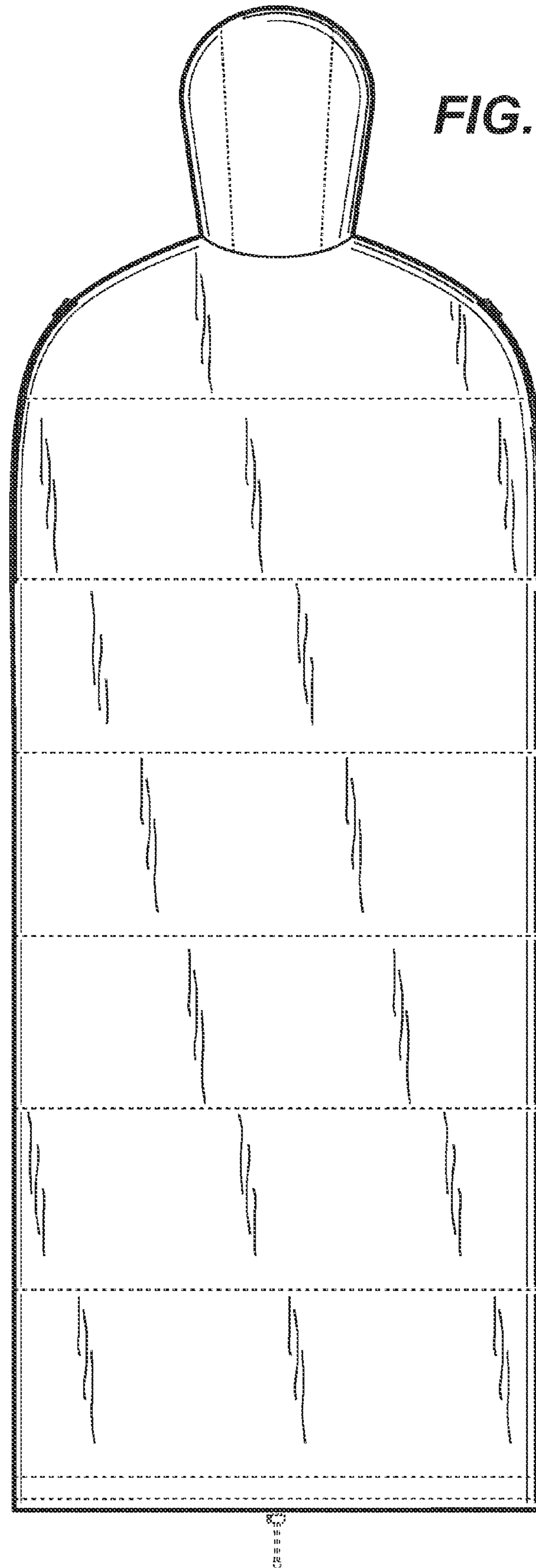


FIG. 4

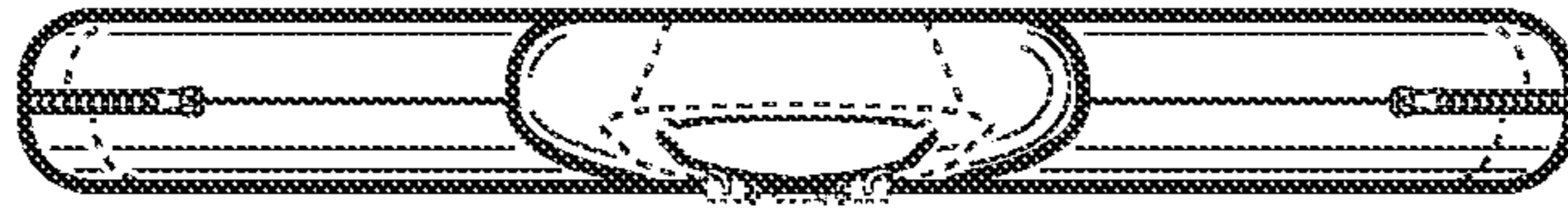


FIG. 5



FIG. 6

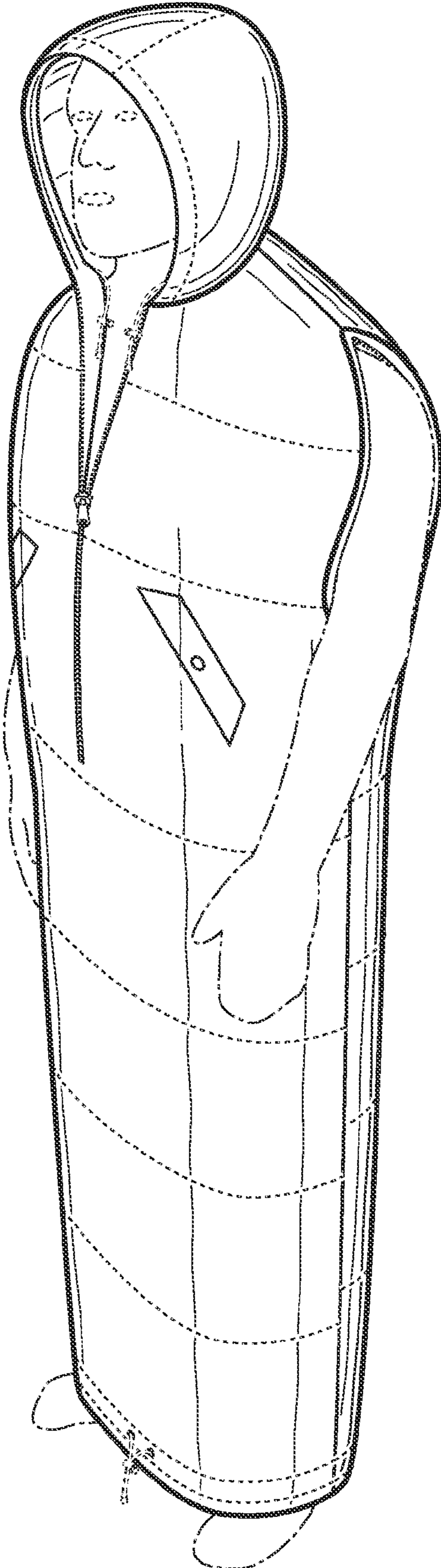


FIG. 7

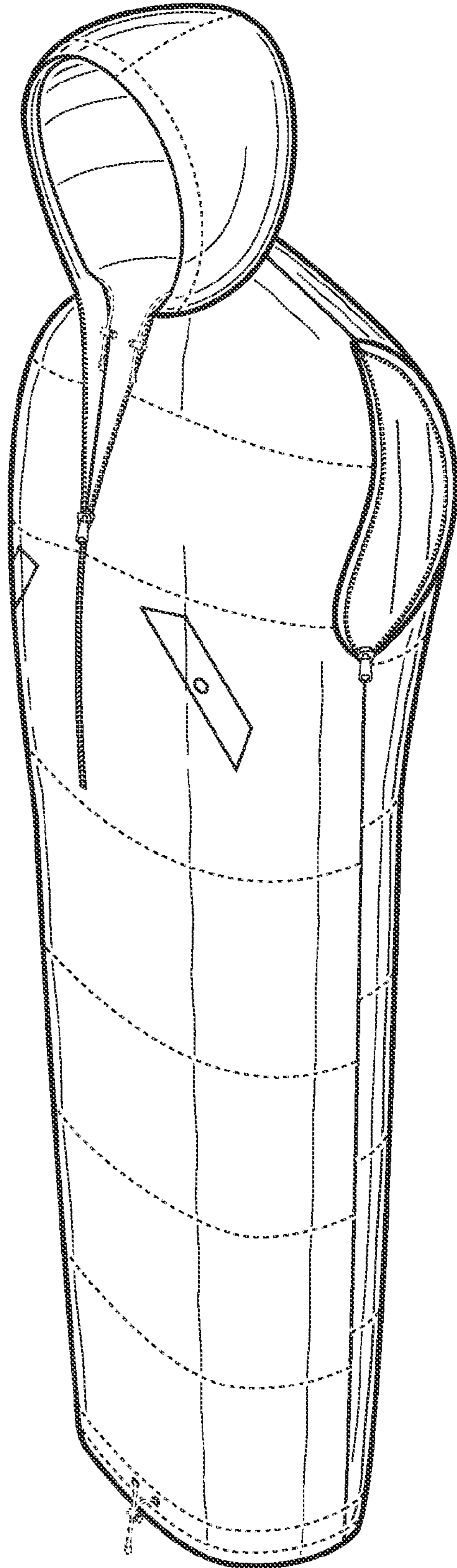


FIG. 8

FIG. 9

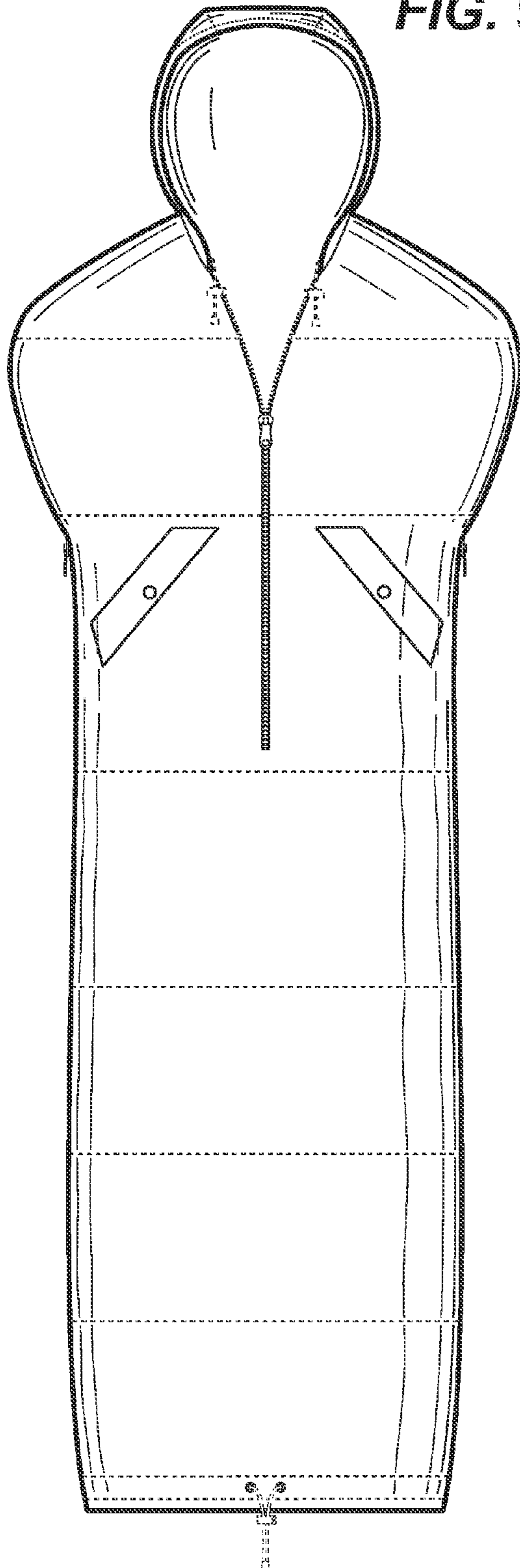


FIG. 10

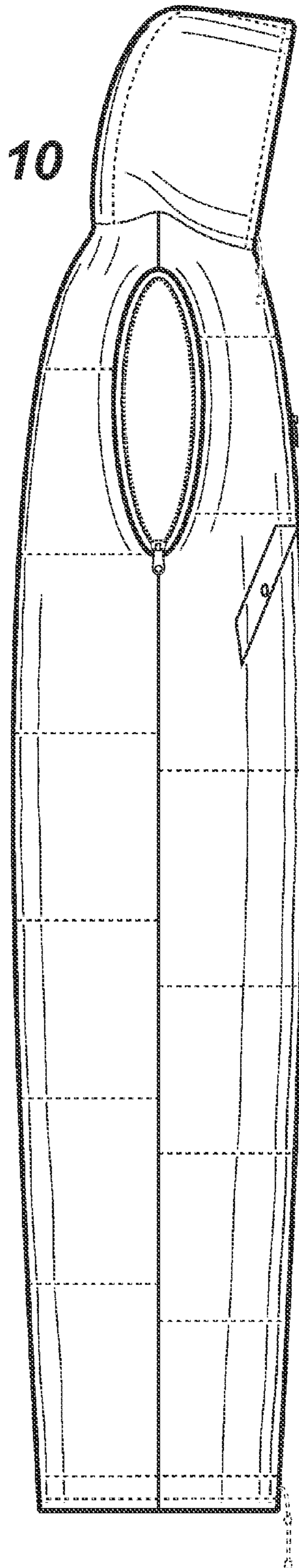


FIG. 11

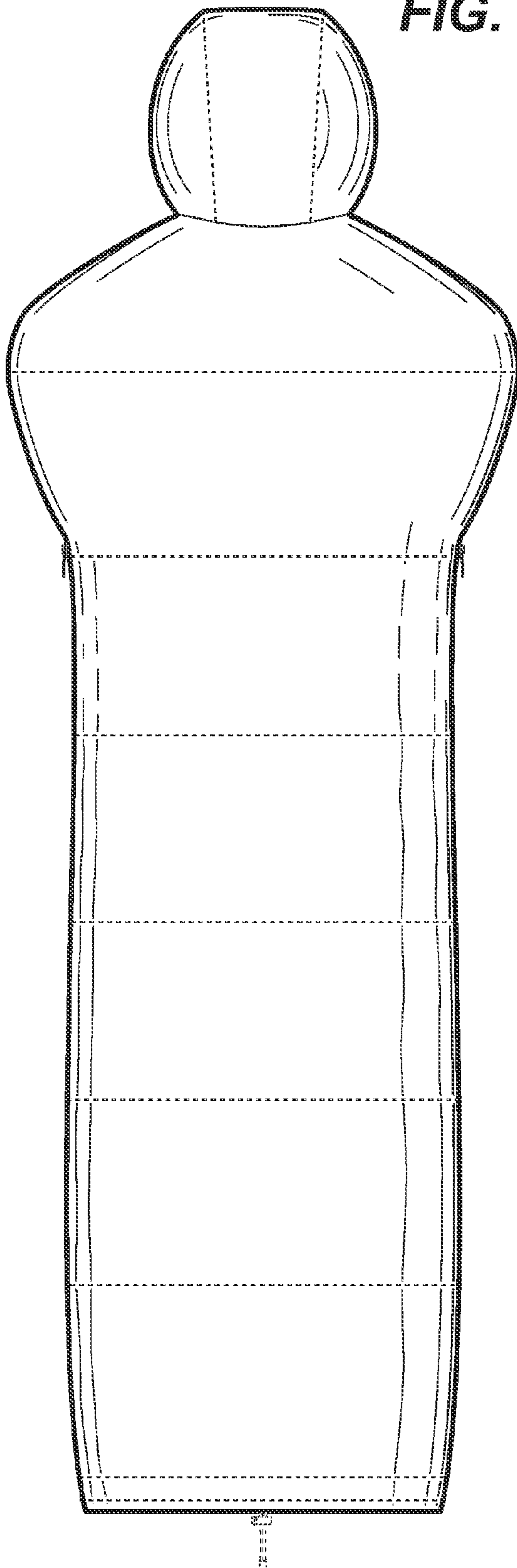
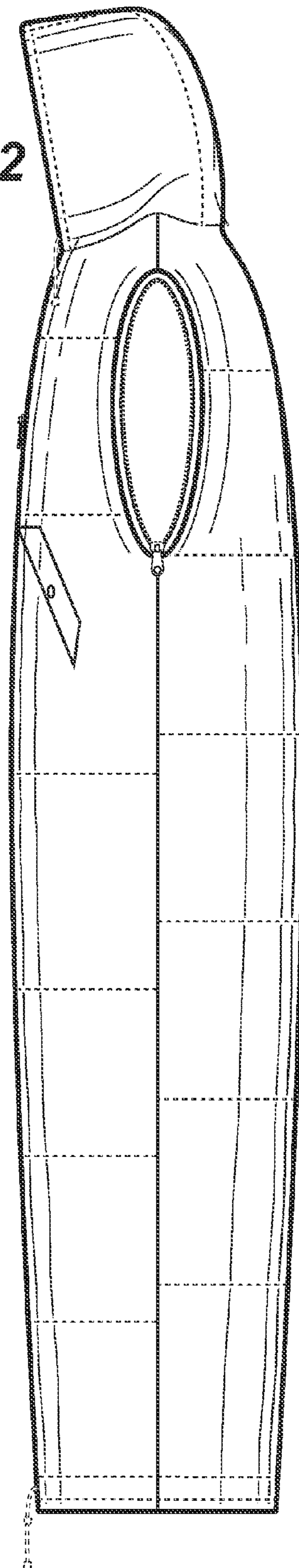


FIG. 12



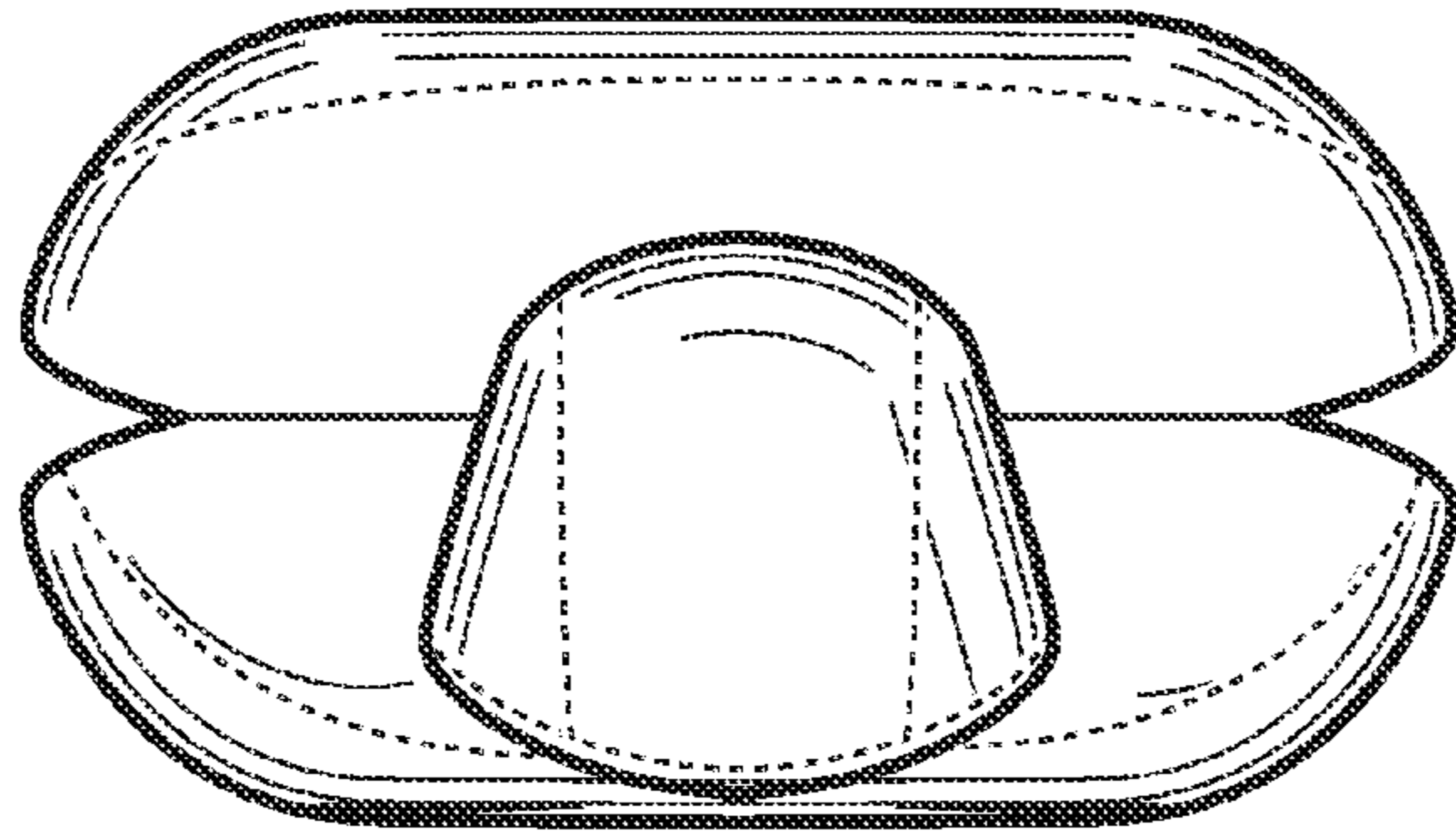


FIG. 13

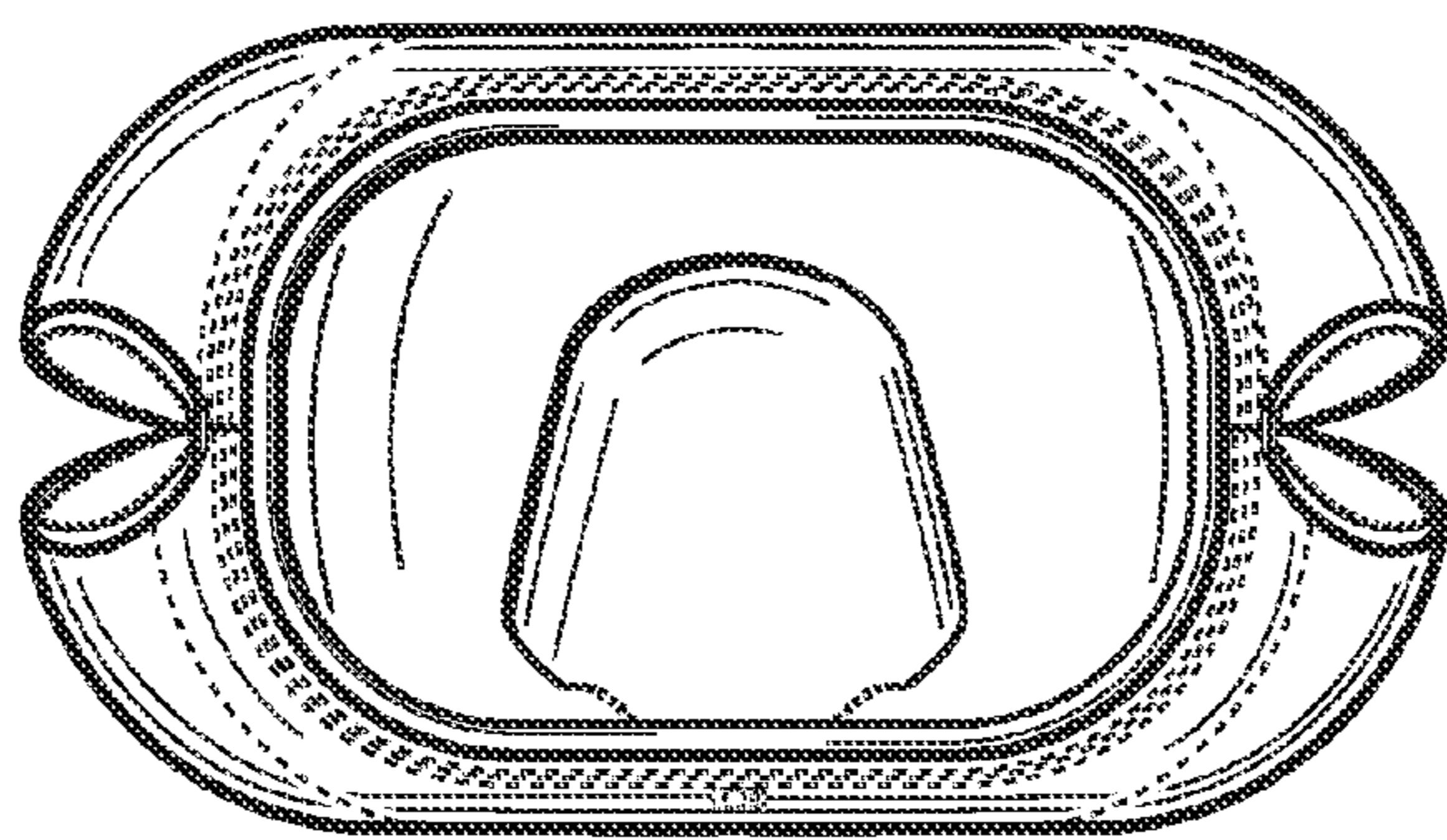


FIG. 14

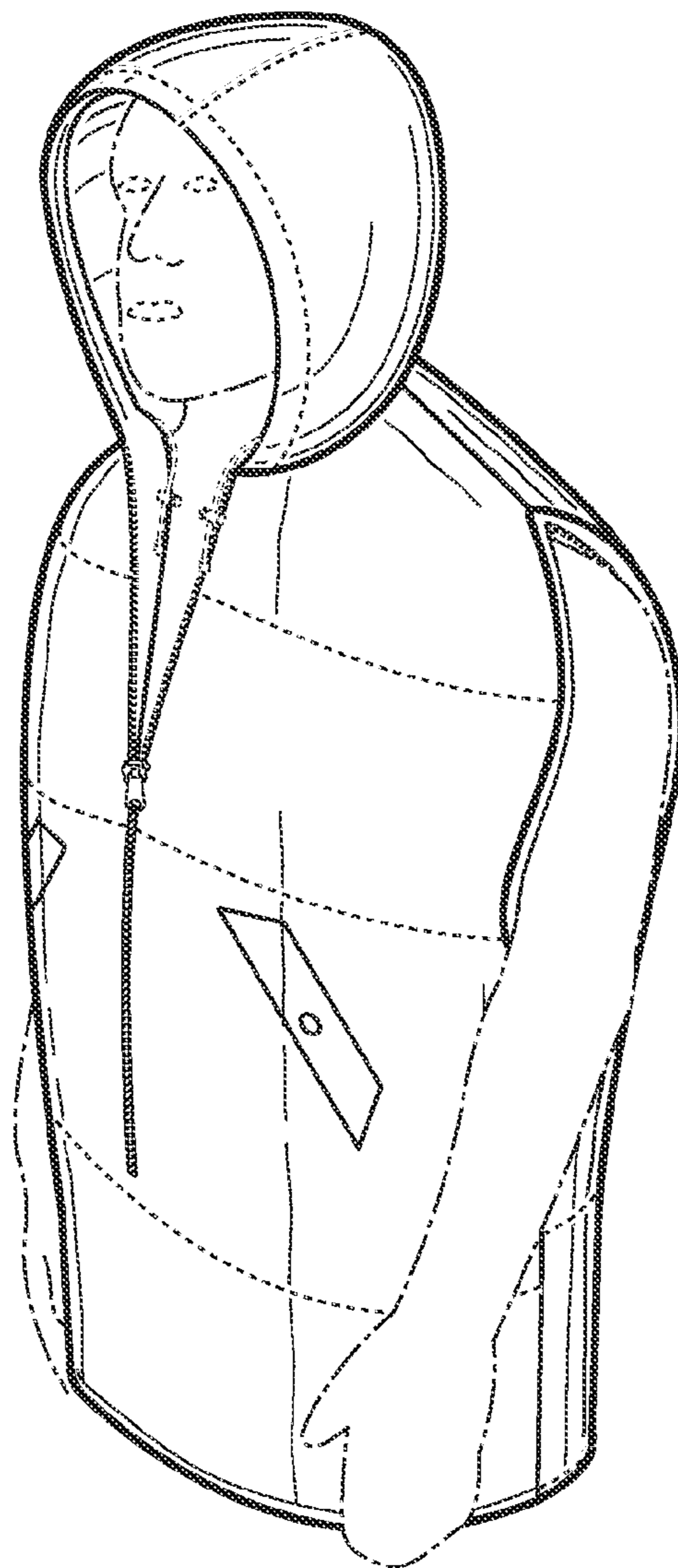


FIG. 15

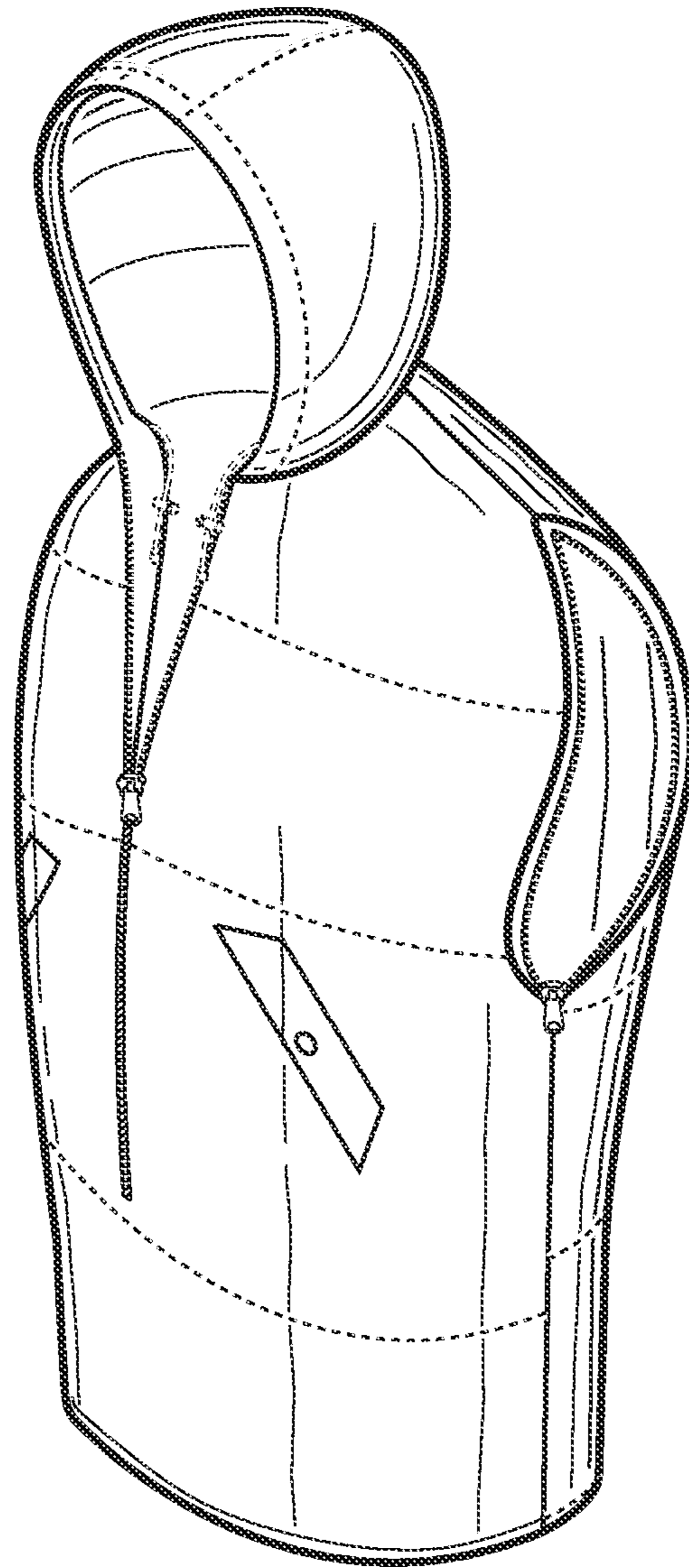


FIG. 16

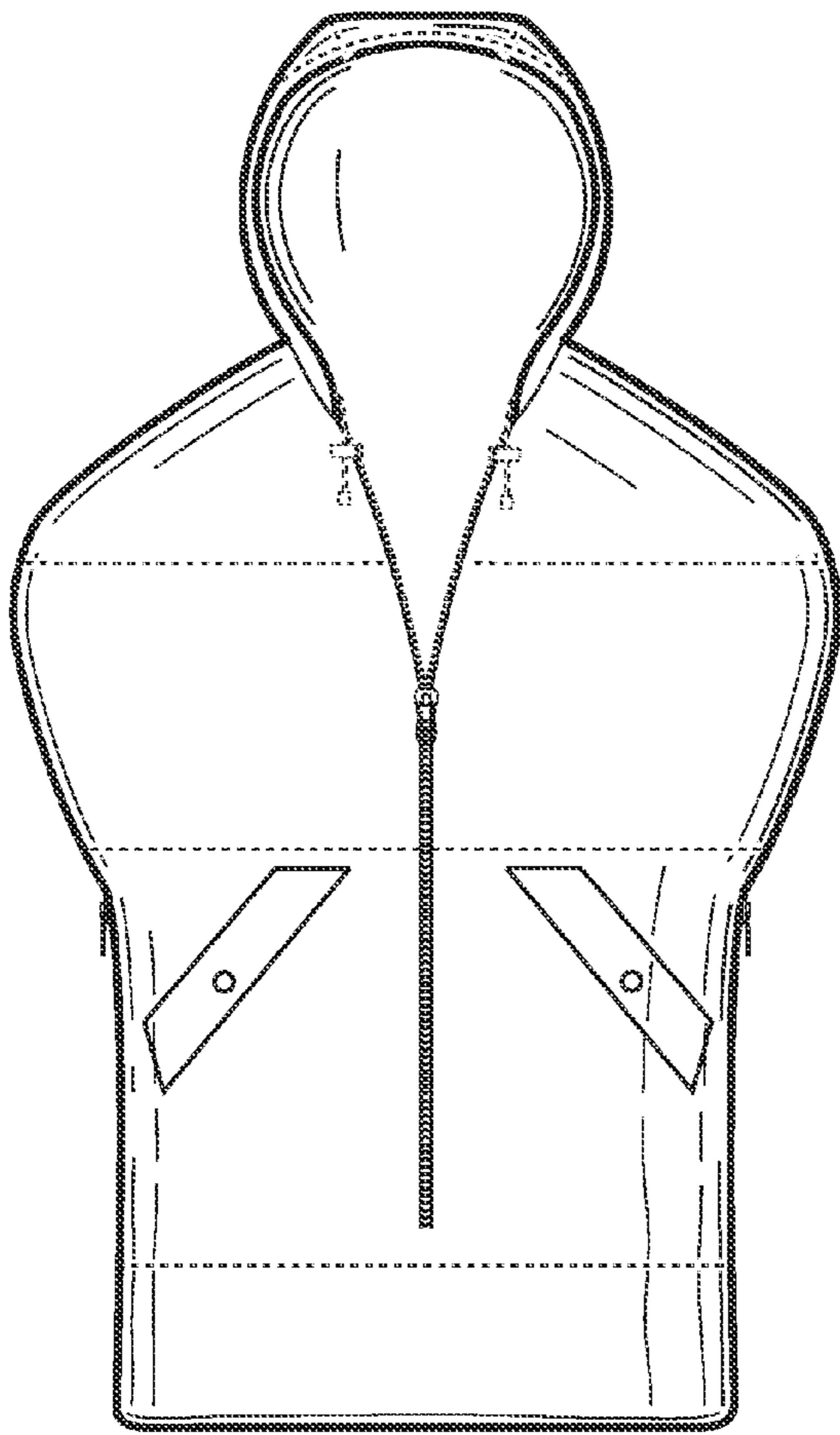


FIG. 17

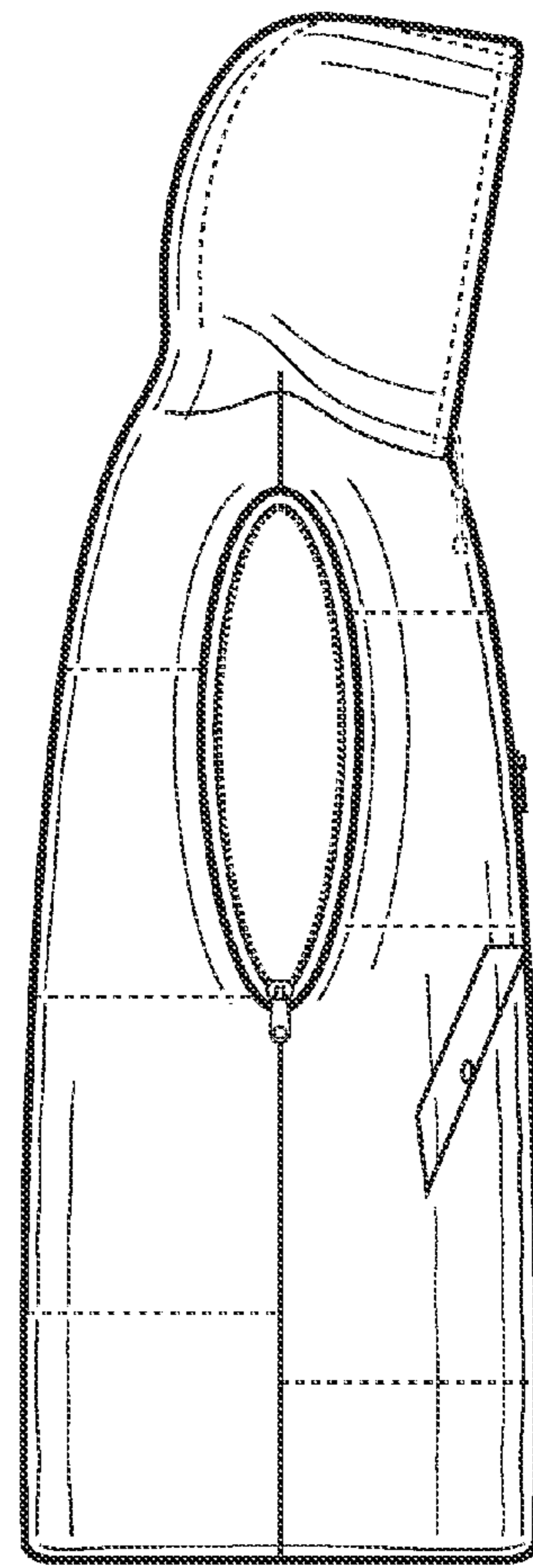


FIG. 18

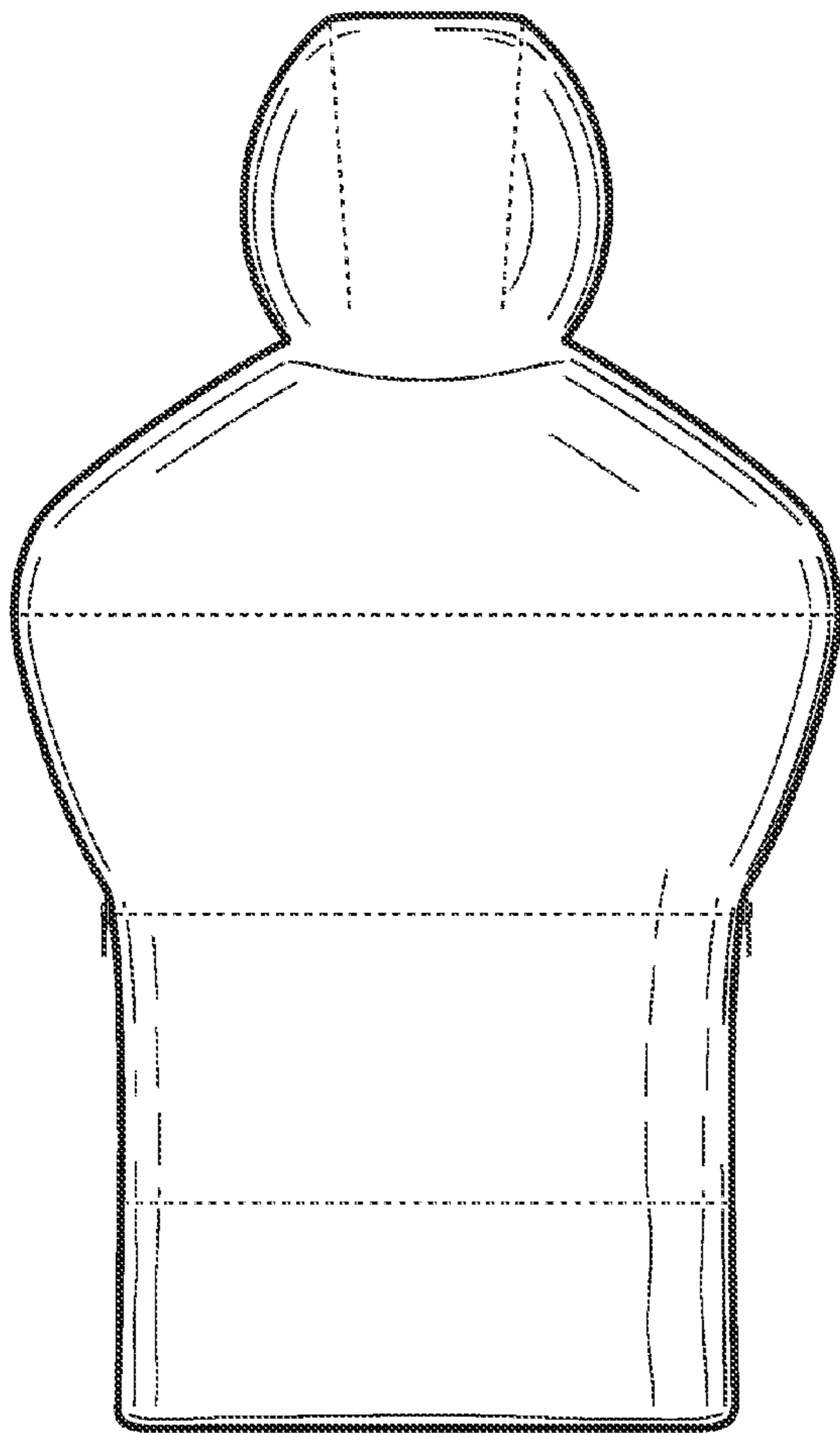


FIG. 19

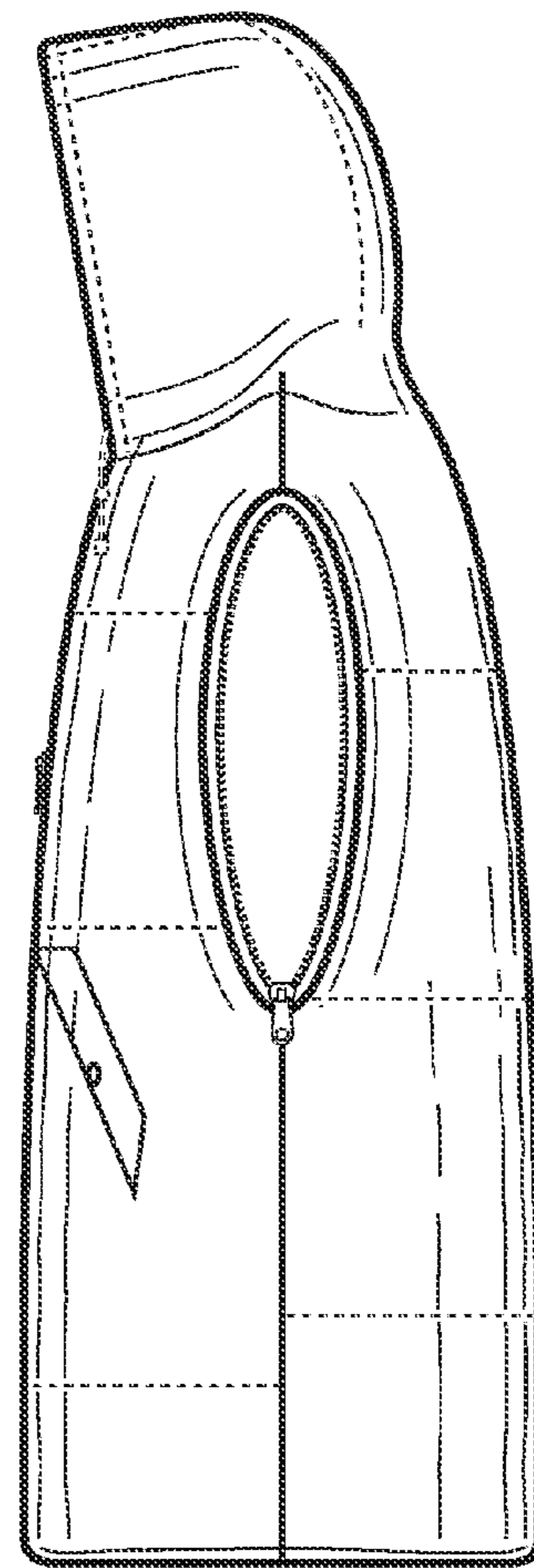


FIG. 20

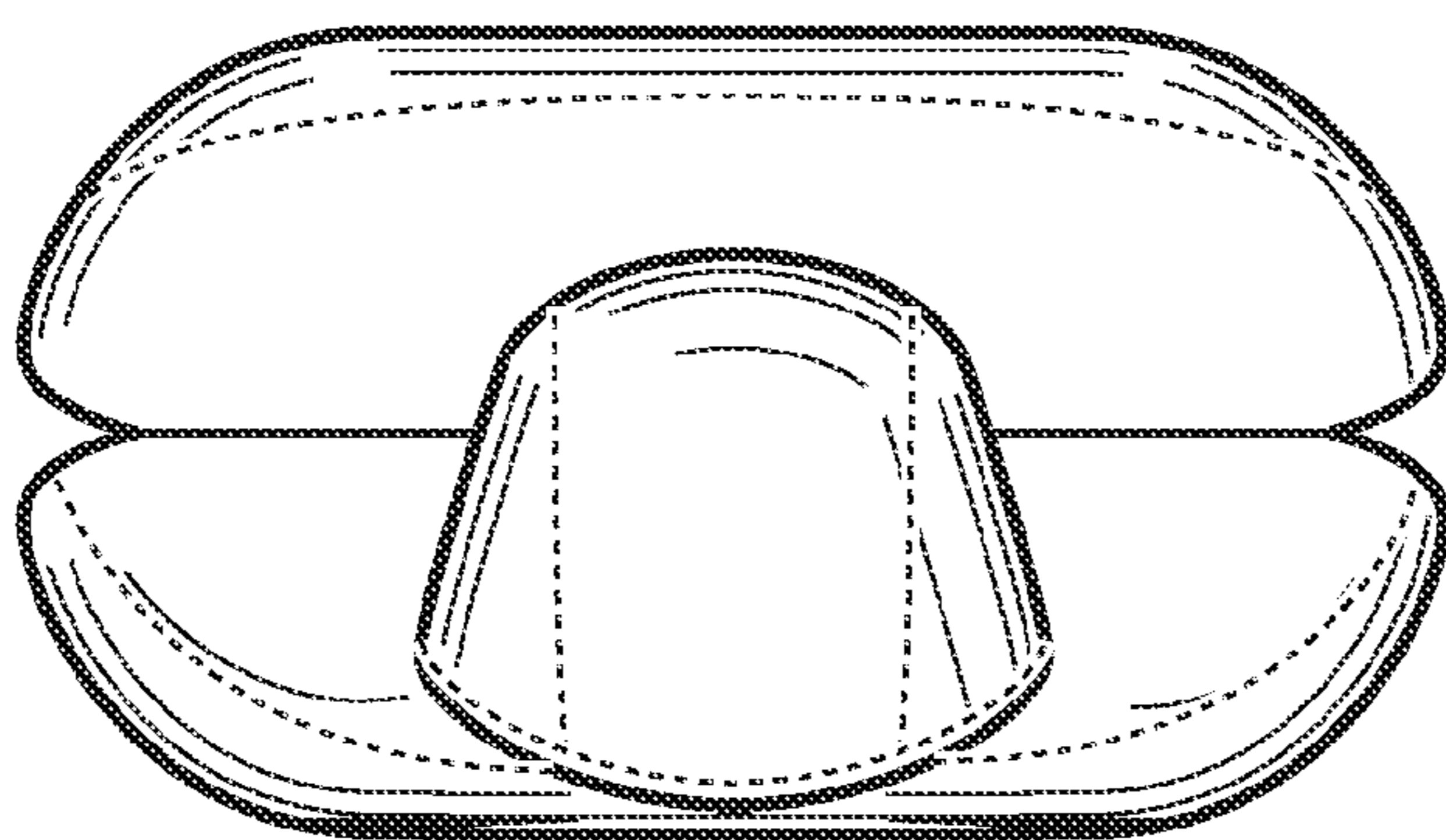


FIG. 21

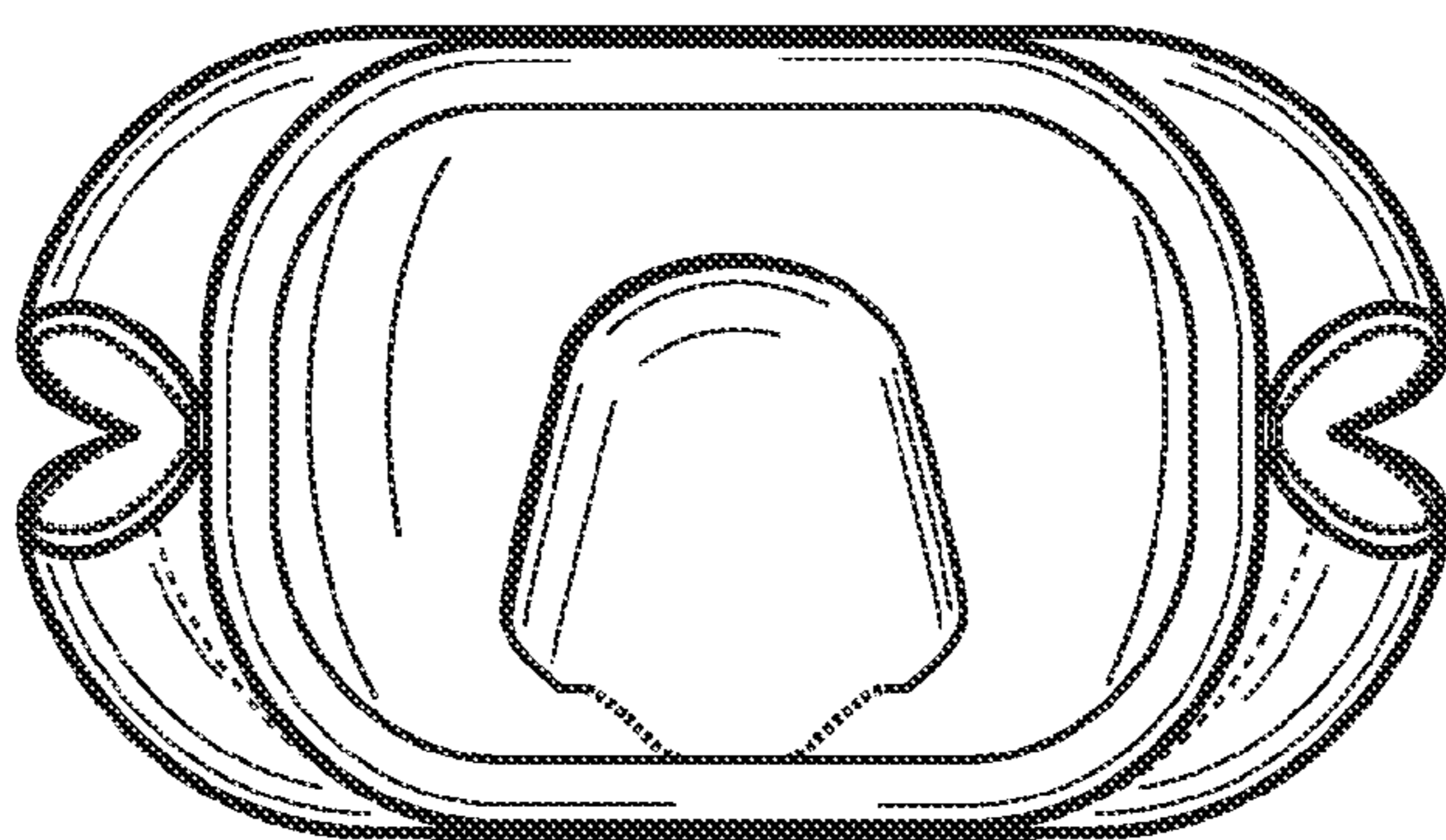


FIG. 22