

US00D693984S

(12) **United States Design Patent**
Budde et al.

(10) **Patent No.:** **US D693,984 S**
(45) **Date of Patent:** **** Nov. 19, 2013**

(54) **DRIVE-UP FINANCIAL TRANSACTION MACHINE**

4,321,672 A 3/1982 Braun et al.
D263,889 S 4/1982 Lippisch
D264,764 S 6/1982 Freijd
4,396,985 A 8/1983 Ohara
4,495,018 A 1/1985 Vohrer
4,617,457 A 10/1986 Myers

(71) Applicant: **JPMorgan Chase Bank, N. A.**, New York, NY (US)

(72) Inventors: **William Budde**, Dublin, OH (US); **Giancarlo Miranda**, Columbus, OH (US); **Joseph Bradley Nolan**, New Albany, OH (US)

(73) Assignee: **JPMorgan Chase Bank, N.A.**, New York, NY (US)

(**) Term: **14 Years**

(21) Appl. No.: **29/443,718**

(22) Filed: **Jan. 22, 2013**

Related U.S. Application Data

(62) Division of application No. 29/427,558, filed on Jul. 19, 2012, now Pat. No. Des. 678,653.

(51) **LOC (9) Cl.** **20-01**

(52) **U.S. Cl.**
USPC **D99/28**

(58) **Field of Classification Search**
USPC D14/336, 371-376, 387; D18/3.1-3.3, D18/4.1-4.6, 12.1-12.3; D21/324, 325, D21/332; D99/28, 34-36, 43; 235/1 E, 2, 235/7 R, 12, 22, 33, 51, 52; 705/12, 15-18, 705/43

See application file for complete search history.

(56) **References Cited**

U.S. PATENT DOCUMENTS

3,326,147 A 6/1967 Toney
3,653,480 A 4/1972 Yamamoto et al.
4,205,780 A 6/1980 Burns

(Continued)

FOREIGN PATENT DOCUMENTS

EP 0099999 7/1983
EP 421808 4/1991

(Continued)

OTHER PUBLICATIONS

Annual Report Pursuant to Section 13 or 15(d) of The Securities Exchange Act of 1934, Form 10-K, Intelidata Technologies Corporation, Fiscal Year Ended Dec. 31, 2001.

(Continued)

Primary Examiner — Garth Rademaker

(74) *Attorney, Agent, or Firm* — Hunton & Williams LLP

(57) **CLAIM**

We claim the ornamental design for a drive-up financial transaction machine, as shown and described.

DESCRIPTION

FIG. 1 depicts a front perspective view of a drive-up financial transaction machine.

FIG. 2 depicts a front elevational view thereof.

FIG. 3 depicts a back elevational view thereof.

FIG. 4 depicts a left side elevational view thereof.

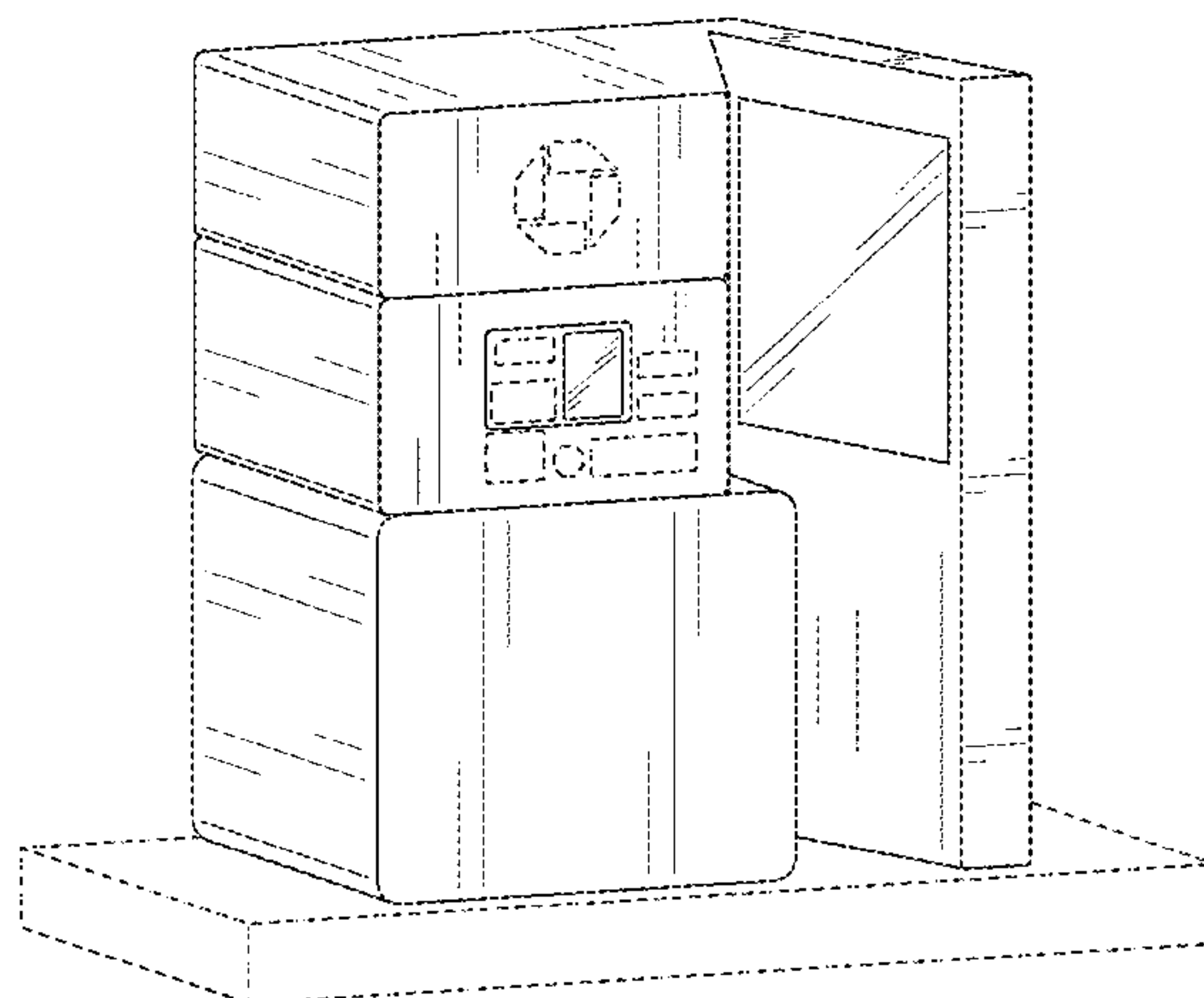
FIG. 5 depicts a right side elevational view thereof.

FIG. 6 depicts a top plan view thereof; and,

FIG. 7 depicts a bottom plan view thereof.

The broken lines in the drawings illustrate environmental structure on the article and form no part of the claimed design.

1 Claim, 5 Drawing Sheets



(56)

References Cited

U.S. PATENT DOCUMENTS

4,672,377 A	6/1987	Murphy	5,640,577 A	6/1997	Scharmer
4,700,055 A	10/1987	Kashkashian, Jr.	5,642,419 A	6/1997	Rosen
4,752,877 A	6/1988	Roberts et al.	5,649,117 A	7/1997	Landry
4,797,913 A	1/1989	Kaplan	5,650,604 A	7/1997	Marcous et al.
4,799,156 A	1/1989	Shavit	5,652,786 A	7/1997	Rogers
4,812,628 A	3/1989	Boston	5,659,165 A	8/1997	Jennings
4,823,264 A	4/1989	Deming	5,659,469 A	8/1997	Deaton et al.
4,931,793 A	6/1990	Fuhrmann et al.	5,659,741 A	8/1997	Eberhardt
4,948,174 A	8/1990	Thomson et al.	5,666,493 A	9/1997	Wojcik et al.
4,974,878 A	12/1990	Josephson	5,677,955 A	10/1997	Doggett et al.
4,988,849 A	1/1991	Sasaki	5,679,938 A	10/1997	Templeton
4,992,646 A	2/1991	Collin	5,679,940 A	10/1997	Templeton
5,023,904 A	6/1991	Kaplan	5,692,132 A	11/1997	Hogan
5,053,607 A	10/1991	Carlson	5,699,528 A	12/1997	Hogan
5,054,096 A	10/1991	Beizer	5,703,344 A	12/1997	Bezy et al.
5,080,748 A	1/1992	Bonomi	5,704,044 A	12/1997	Tarter et al.
5,111,395 A	5/1992	Smith	5,708,422 A	1/1998	Blonder et al.
5,121,945 A	6/1992	Thomson	5,715,298 A	2/1998	Rogers
5,122,950 A	6/1992	Mee	5,715,314 A	2/1998	Payne
5,136,502 A	8/1992	Van Remortel et al.	5,715,399 A	2/1998	Bezos
5,175,682 A	12/1992	Higashiyama	5,717,989 A	2/1998	Tozzoli et al.
5,198,975 A	3/1993	Baker et al.	5,724,424 A	3/1998	Gifford
5,220,501 A	6/1993	Lawlor	5,727,249 A	3/1998	Pollin
5,225,978 A	7/1993	Peterson	5,748,780 A	5/1998	Stolfo
5,237,159 A	8/1993	Stephens	5,751,842 A	5/1998	Eccles
5,283,829 A	2/1994	Anderson	5,757,917 A	5/1998	Rose et al.
5,287,269 A	2/1994	Dorrough et al.	D395,128 S *	6/1998	Rutledge D99/28
5,311,594 A	5/1994	Penzias	5,770,843 A	6/1998	Rose et al.
5,315,508 A	5/1994	Bain et al.	5,774,553 A	6/1998	Rosen
5,321,238 A	6/1994	Watanabe	5,784,696 A	7/1998	Melnikof
5,326,959 A	7/1994	Perazza	5,793,861 A	8/1998	Haigh
5,336,870 A	8/1994	Hughes	5,794,221 A	8/1998	Egendorf
5,343,529 A	8/1994	Goldfine et al.	5,802,498 A	9/1998	Comesanas
5,350,906 A	9/1994	Brody et al.	5,802,499 A	9/1998	Sampson et al.
5,367,581 A	11/1994	VanHorn	5,819,236 A	10/1998	Josephson
5,373,550 A	12/1994	Campbell	5,819,238 A	10/1998	Fernholz
5,396,417 A	3/1995	Burks	5,826,241 A	10/1998	Stein
5,402,474 A	3/1995	Miller	5,826,245 A	10/1998	Sandberg-Diment
5,412,190 A	5/1995	Kopesec	5,832,447 A	11/1998	Rieker
5,424,938 A	6/1995	Wagner	5,832,460 A	11/1998	Bednar
5,430,644 A	7/1995	Deaton et al.	5,832,463 A	11/1998	Funk
5,432,506 A	7/1995	Chapman	5,832,464 A	11/1998	Houvener et al.
5,444,794 A	8/1995	Uhland	5,832,488 A	11/1998	Eberhardt
5,444,841 A	8/1995	Glasser et al.	5,835,580 A	11/1998	Fraser
5,446,740 A	8/1995	Yien	5,835,603 A	11/1998	Coutts
5,448,471 A	9/1995	Deaton et al.	5,835,899 A	11/1998	Rose et al.
5,465,206 A	11/1995	Hilt et al.	5,852,812 A	12/1998	Reeder
5,477,040 A	12/1995	Lalonde	5,859,419 A	1/1999	Wynn
5,479,494 A	12/1995	Clitherow	5,864,609 A	1/1999	Cross et al.
5,483,445 A	1/1996	Pickering	5,870,456 A	2/1999	Rogers
5,484,988 A	1/1996	Hills	5,870,721 A	2/1999	Norris
5,502,576 A	3/1996	Ramsay et al.	5,870,723 A	2/1999	Pare
5,504,677 A	4/1996	Pollin	5,870,725 A	2/1999	Belinger et al.
5,506,691 A	4/1996	Bednar et al.	5,873,072 A	2/1999	Kight
5,513,250 A	4/1996	McAllister	5,883,810 A	3/1999	Franklin et al.
5,532,464 A	7/1996	Josephson et al.	5,884,288 A	3/1999	Chang
5,544,046 A	8/1996	Niwa	5,897,625 A	4/1999	Gustin
5,550,734 A	8/1996	Tater	5,898,157 A	4/1999	Mangili et al.
5,551,021 A	8/1996	Harada	D410,129 S	5/1999	Molander
5,557,515 A	9/1996	Abbruzzese et al.	5,903,881 A	5/1999	Schrader
5,563,400 A	10/1996	Le Roux	5,910,896 A	6/1999	Hahn-Carlson
5,566,330 A	10/1996	Sheffield	5,910,988 A	6/1999	Ballard
5,568,489 A	10/1996	Yien	5,915,246 A	6/1999	Patterson et al.
5,570,465 A	10/1996	Tsakanikas	5,917,965 A	6/1999	Cahill et al.
5,572,004 A	11/1996	Raimann	D412,233 S	7/1999	Cajacob
5,583,759 A	12/1996	Geer	5,920,847 A	7/1999	Kolling et al.
5,583,760 A	12/1996	Klesse	5,930,778 A	7/1999	Geer
5,590,196 A	12/1996	Moreau	5,937,396 A	8/1999	Konya
5,590,197 A	12/1996	Chen	5,940,811 A	8/1999	Norris
5,592,377 A	1/1997	Lipkin	5,940,844 A	8/1999	Cahill et al.
5,592,378 A	1/1997	Cameron	5,943,656 A	8/1999	Crooks
5,599,528 A	2/1997	Igaki	5,945,653 A	8/1999	Walker et al.
5,603,025 A	2/1997	Tabb	5,956,700 A	9/1999	Landry
5,615,109 A	3/1997	Eder	5,963,647 A	10/1999	Downing et al.
5,621,201 A	4/1997	Langhans	5,963,659 A	10/1999	Cahill et al.
			5,963,925 A	10/1999	Kolling et al.
			5,966,698 A	10/1999	Pollin
			5,978,780 A	11/1999	Watson
			5,987,435 A	11/1999	Weiss et al.

(56)

References Cited

U.S. PATENT DOCUMENTS

5,987,436 A	11/1999	Halbrook	6,405,173 B1	6/2002	Honarvar et al.
5,987,439 A	11/1999	Gustin et al.	6,415,259 B1	7/2002	Wolfinger et al.
5,991,750 A	11/1999	Watson	6,418,419 B1	7/2002	Nieboer et al.
6,000,832 A	12/1999	Franklin et al.	6,418,420 B1	7/2002	DiGiorgio et al.
6,002,392 A	12/1999	Simon et al.	6,418,430 B1	7/2002	DeFazio et al.
6,003,762 A	12/1999	Hayashida	6,488,203 B1	12/2002	Stoutenburg et al.
6,006,208 A	12/1999	Forst et al.	6,490,568 B1	12/2002	Omara et al.
6,009,442 A	12/1999	Chen et al.	6,493,685 B1	12/2002	Ensel et al.
6,014,636 A	1/2000	Reeder	6,502,747 B1	1/2003	Stoutenburg et al.
6,016,482 A	1/2000	Molinari et al.	6,554,184 B1	4/2003	Amos
6,029,139 A	2/2000	Cunningham et al.	6,574,377 B1	6/2003	Cahill et al.
6,032,133 A	2/2000	Hilt et al.	6,578,015 B1	6/2003	Haseltine et al.
6,032,137 A	2/2000	Ballard	6,609,113 B1	8/2003	O'Leary et al.
6,035,281 A	3/2000	Crosskey et al.	6,609,125 B1	8/2003	Layne et al.
6,035,285 A	3/2000	Schlect et al.	D479,642 S *	9/2003	Magee et al. D99/28
6,035,287 A	3/2000	Stallaert et al.	6,629,081 B1	9/2003	Cornelius et al.
6,038,553 A	3/2000	Hyde, Jr.	6,704,714 B1	3/2004	O'Leary et al.
6,041,312 A	3/2000	Bickerton et al.	6,721,715 B2	4/2004	Nemzow
6,041,315 A	3/2000	Pollin	6,736,314 B2	5/2004	Cooper et al.
6,044,362 A	3/2000	Neely	6,761,309 B2	7/2004	Stoutenburg et al.
6,045,039 A	4/2000	Stinson et al.	6,769,605 B1	8/2004	Magness
6,052,674 A	4/2000	Zervides et al.	6,796,496 B2	9/2004	Andersen et al.
6,058,380 A	5/2000	Anderson et al.	7,070,094 B2	7/2006	Stoutenburg et al.
6,058,381 A	5/2000	Nelson	7,424,970 B2	9/2008	Royce-Winston et al.
6,061,665 A	5/2000	Bahreman	D582,125 S	12/2008	Kang
6,065,675 A	5/2000	Teicher	D603,125 S	10/2009	Lara Bartolome
6,067,524 A	5/2000	Byerly et al.	7,606,734 B2	10/2009	Baig et al.
6,070,150 A	5/2000	Remington et al.	7,610,222 B2	10/2009	Neofytides et al.
6,070,798 A	6/2000	Nethery	7,617,157 B2	11/2009	Seifert et al.
6,073,104 A	6/2000	Field	7,822,684 B2	10/2010	Reilly et al.
6,073,113 A	6/2000	Guinan	D678,653 S *	3/2013	Budde et al. D99/28
6,076,072 A	6/2000	Libman	2001/0018739 A1	8/2001	Anderson et al.
6,078,907 A	6/2000	Lamm	2001/0037309 A1	11/2001	Vrain
6,081,790 A	6/2000	Rosen	2001/0042024 A1	11/2001	Rogers
6,085,168 A	7/2000	Mori et al.	2001/0044747 A1	11/2001	Ramachandran et al.
6,088,683 A	7/2000	Jalili	2001/0047334 A1	11/2001	Nappe et al.
6,088,685 A	7/2000	Kiron et al.	2001/0047489 A1	11/2001	Ito et al.
6,088,686 A	7/2000	Walker et al.	2002/0003162 A1	1/2002	Ferber et al.
6,092,056 A	7/2000	Tull, Jr. et al.	2002/0012445 A1	1/2002	Perry
6,098,053 A	8/2000	Slater	2002/0013728 A1	1/2002	Wilkman
6,098,070 A	8/2000	Maxwell	2002/0026394 A1	2/2002	Savage et al.
6,105,011 A	8/2000	Morrison, Jr.	2002/0038363 A1	3/2002	MacLean
6,108,639 A	8/2000	Walker et al.	2002/0052842 A1	5/2002	Schuba et al.
6,110,044 A	8/2000	Stern	2002/0065034 A1	5/2002	Zhang
6,111,858 A	8/2000	Greaves et al.	2002/0069134 A1	6/2002	Solomon
6,115,690 A	9/2000	Wong	2002/0069170 A1	6/2002	Rizzo et al.
6,119,106 A	9/2000	Mersky et al.	2002/0077978 A1	6/2002	O'Leary et al.
6,119,107 A	9/2000	Polk	2002/0087462 A1	7/2002	Seifert et al.
6,125,354 A	9/2000	MacFarlane et al.	2002/0087468 A1	7/2002	Ganesan et al.
6,128,602 A	10/2000	Northington et al.	2002/0091635 A1	7/2002	Dilip et al.
6,128,603 A	10/2000	Dent et al.	2002/0107770 A1	8/2002	Meyer et al.
6,129,273 A	10/2000	Shah	2002/0107788 A1	8/2002	Cunningham
6,138,118 A	10/2000	Koppstein et al.	2002/0111837 A1	8/2002	Aupperle
6,144,946 A	11/2000	Iwamura	2002/0138398 A1	9/2002	Kalin et al.
6,148,293 A	11/2000	King	2002/0170966 A1	11/2002	Hannigan et al.
6,149,056 A	11/2000	Stinson et al.	2002/0178071 A1	11/2002	Walker et al.
6,173,272 B1	1/2001	Thomas et al.	2002/0194096 A1	12/2002	Falcone et al.
6,181,837 B1	1/2001	Cahill et al.	2002/0195486 A1	12/2002	Erb et al.
6,185,544 B1	2/2001	Sakamoto et al.	2002/0198817 A1	12/2002	Dhir
6,202,054 B1	3/2001	Lawlor et al.	2002/0199182 A1	12/2002	Whitehead
6,205,433 B1	3/2001	Boesch et al.	2003/0018557 A1	1/2003	Gilbert et al.
6,227,447 B1	5/2001	Campisano	2003/0040959 A1	2/2003	Fei et al.
6,233,566 B1	5/2001	Levine et al.	2003/0046218 A1	3/2003	Albanese et al.
6,236,972 B1	5/2001	Shkedy	2003/0097335 A1	5/2003	Muskowitz et al.
6,240,444 B1	5/2001	Fin et al.	2003/0105641 A1	6/2003	Lewis
6,278,981 B1	8/2001	Dembo et al.	2003/0163415 A1	8/2003	Shanny et al.
6,289,322 B1	9/2001	Kitchen et al.	2003/0208421 A1	11/2003	Vicknair et al.
6,301,379 B1	10/2001	Thompson et al.	2003/0208441 A1	11/2003	Poplawski et al.
6,304,858 B1	10/2001	Mosler et al.	2003/0225663 A1	12/2003	Horan et al.
6,305,603 B1	10/2001	Grunbok et al.	2003/0233305 A1	12/2003	Solomon
6,321,212 B1	11/2001	Lange	2004/0078328 A1	4/2004	Talbert et al.
6,338,047 B1	1/2002	Wallman	2005/0033690 A1	2/2005	Antognini et al.
6,338,049 B1	1/2002	Walker et al.	2005/0119969 A1	6/2005	Michelsen et al.
6,374,235 B1	4/2002	Chen et al.	2006/0191999 A1	8/2006	Stoutenburg et al.
6,393,409 B2	5/2002	Young et al.	2006/0277144 A1	12/2006	Ranzini et al.
			2007/0187484 A1	8/2007	Cooper et al.
			2008/0195541 A1	8/2008	Battaglini et al.
			2008/0203150 A1	8/2008	Royce-Winston et al.

(56)

References Cited

U.S. PATENT DOCUMENTS

2008/0210752 A1 9/2008 March
 2008/0215487 A1 9/2008 Stoutenburg et al.
 2009/0265272 A1 10/2009 Dill et al.

FOREIGN PATENT DOCUMENTS

EP	1014318	6/2000
WO	WO 91/16691	10/1991
WO	WO 93/08545	4/1993
WO	WO 94/28497	12/1994
WO	WO 96/08783	3/1996
WO	WO 96/12242	4/1996
WO	WO 97/45796	12/1997
WO	WO 97/45814	12/1997
WO	WO 98/09260	3/1998
WO	WO 99/10823	3/1999
WO	WO 00/39979	7/2000
WO	WO 01/75730	10/2001
WO	WO 02/063432	8/2002
WO	WO 2004/079603	9/2004
WO	WO 2006/013218	2/2006

OTHER PUBLICATIONS

Blockbuster running test of a stored value card, *The American Banker*, Sep. 1, 1995.
 CES/NaBANCO introduces stored value card technology blockbuster video is first merchant partner, *Business Wire, Inc.*, Jan. 15, 1996.
 Card Flash Daily Payment Card News, www.cardweb.com, printed Sep. 23, 2004.
 Anonymous, Chase Manhattan introduces new FEDI payables product, ProQuest document ID: 7806951, ISSN/ISBN: 02686635, May 1995.
 Bills, Chase Pact Done, What's Next for Web Vendors?, *The American Banker*, Technology Section, Jun. 3, 2002, p. 23.
 Reinbach, Chase steps up treasury system, ProQuest document ID 8723558, ISSN/ISBN: 10459472, Nov. 1995.
 Anonymous, Chasing the global trend, *Cash Management News*, proQuest document ID 9319923, ISSN/ISBN: 02686635, Dec. 1995.
 Malhotra, Clearing House Enumerates e-Payments Ills, *The American Banker*, vol. 167, No. 154, Aug. 23, 2002.
 Marjanovic, Corporate Services: Chase Gears Up Global Payments System Series: 16, *The American Banker*, vol. 160, Issue 174, Sep. 11, 1995, p. 41.
 Gluck, Creating a Global Cash-Management Game Plan, *Bank Systems & Technology*, Feb. 1997, p. 28.

Lamond, Credit Card Transactions Real World and Online, Paying by Credit Card-Real World and Online, <http://www.virtualschool.edu/mon/ElectronicProperty/klamond/credit>, printed Jul. 8, 2005, 17 pages.
 Dialog file 20, #10279554; Mar. 25, 2000.
 Du Pont's Electronic Payments, Corporate EFT Report, v9, n1, Dialog file 636, Accession No. 01066902, Jan. 11, 1989.
 Carreker, Electronic check presentment: Capturing new technology, <http://proquest.umi.com>, Banking Management, Rolling Meadows: vol. 71, Issue 2, Mar./Apr. 1995, p. 32, 5 pages.
 Fidelity Helps Fund Sellers Trim the Taxes They'll Owe, *The Wall Street Journal*, Nov. 7, 2002.
 First Data markets stored-value cards, *Cards International*, Jan. 30, 1996, p. 5.
 Norris, First data unit develops blockbuster cash card, *Omaha World Herald Sunrise Edition, Business Section*, Jan. 19, 1996, p. 16.
 Harsh Truth: Your Investments Likely Won't Make Any Money. *Money*, Initial Launch to 200 Credit Unions, *USA Today.com*, Jun. 27, 2002.
 Decovny, Net Scope, *Banking Technology*, May 1997.
 Nokia Announces the World's First NFC Enabled Mobile Product for Contactless Payment and Ticketing, *PRNewswire*, Feb. 9, 2005.
 Goode, On Profit, Loss and the Mysteries of the Mind, *The New York Times*, Nov. 5, 2002.
 Anonymous, Operating in a multi-currency environment, ProQuest document ID 9215937, ISSN/ISBN 09589309, Oct. 1995.
 Maher and Troutman, Payor's Prescription for Painless Migration to Electronic Healthcare Payments and Remittance Advices, *PNC Bank*, Dec. 2001.
 Press Release, Mar. 5, 2004, Payment Data Systems Files Patent on Debit Card Payment Solution, *American City Business Journals, Inc.*, Mar. 5, 2004.
 Anonymous, Systems spell change for foreign exchange, *Global Investor*, ProQuest document ID 1056152B, ISSN/ISBN: 09513604, Nov. 1996.
 French, Tech Stocks: Market Movers, Investors Worry CheckFree Being Chased from Its Own Game, <http://www.thestreet.com>, Jun. 20, 2002.
 Technology, In Brief Wachovia-InteliData Deal, May 7, 2002.
 Zuckerman, The Hedge-Fund Craze, *The Wall Street Journal*, Jun. 12, 2002.
 McDonald, The Stars in the Sky Flicker, And Fund Stars Do the Same, *The Wall Street Journal*, Jan. 15, 2003.
 Anonymous, Visa & Carnegie Mellon Plan Online Payment Scheme, *Newsbyte News Network*, Feb. 15, 1995.
 Financial News, Wells Fargo Rolls Out Nationwide Lockbox Check Conversion, *PR Newswire Association*, Apr. 22, 2003.

* cited by examiner

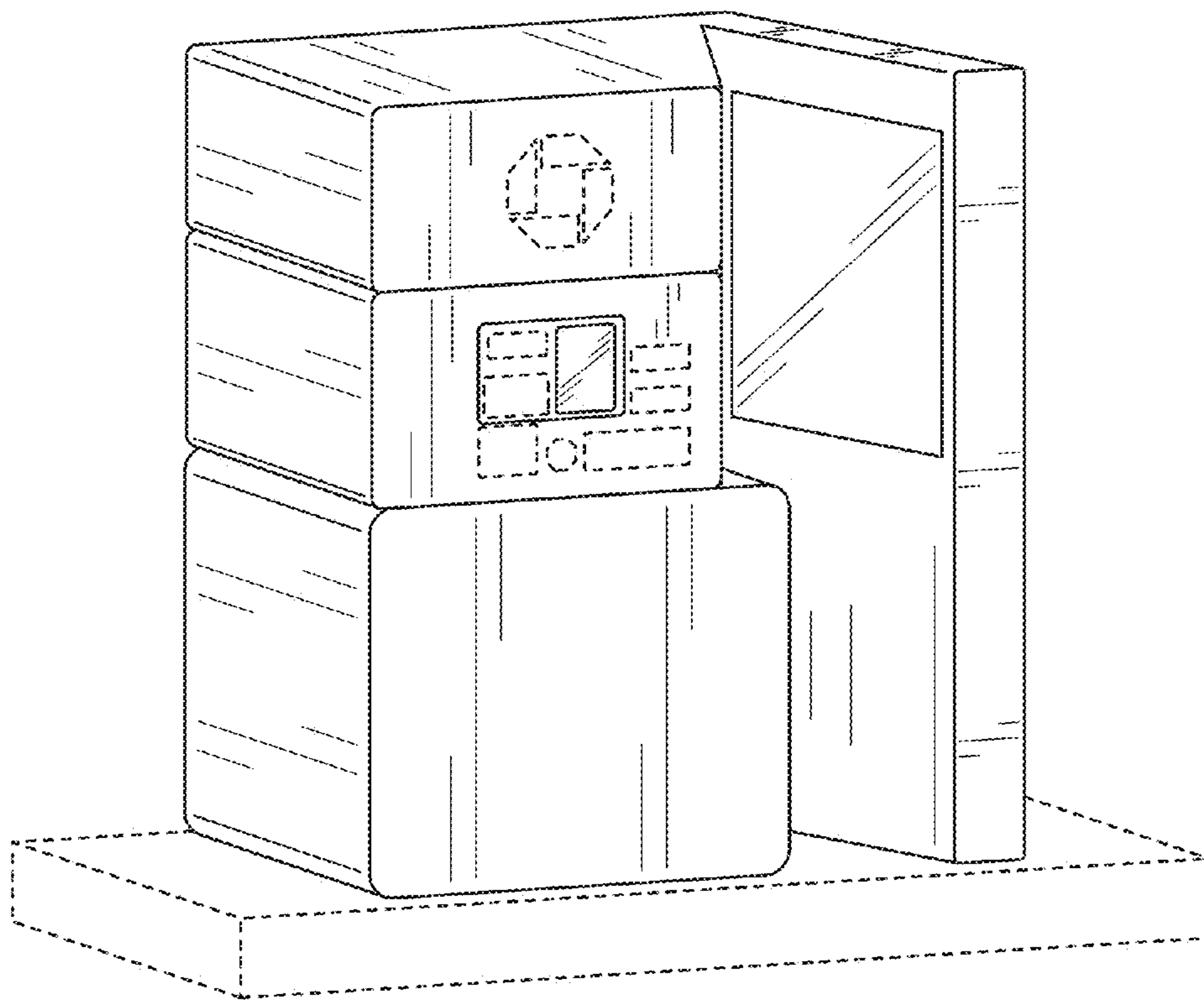


FIG. 1

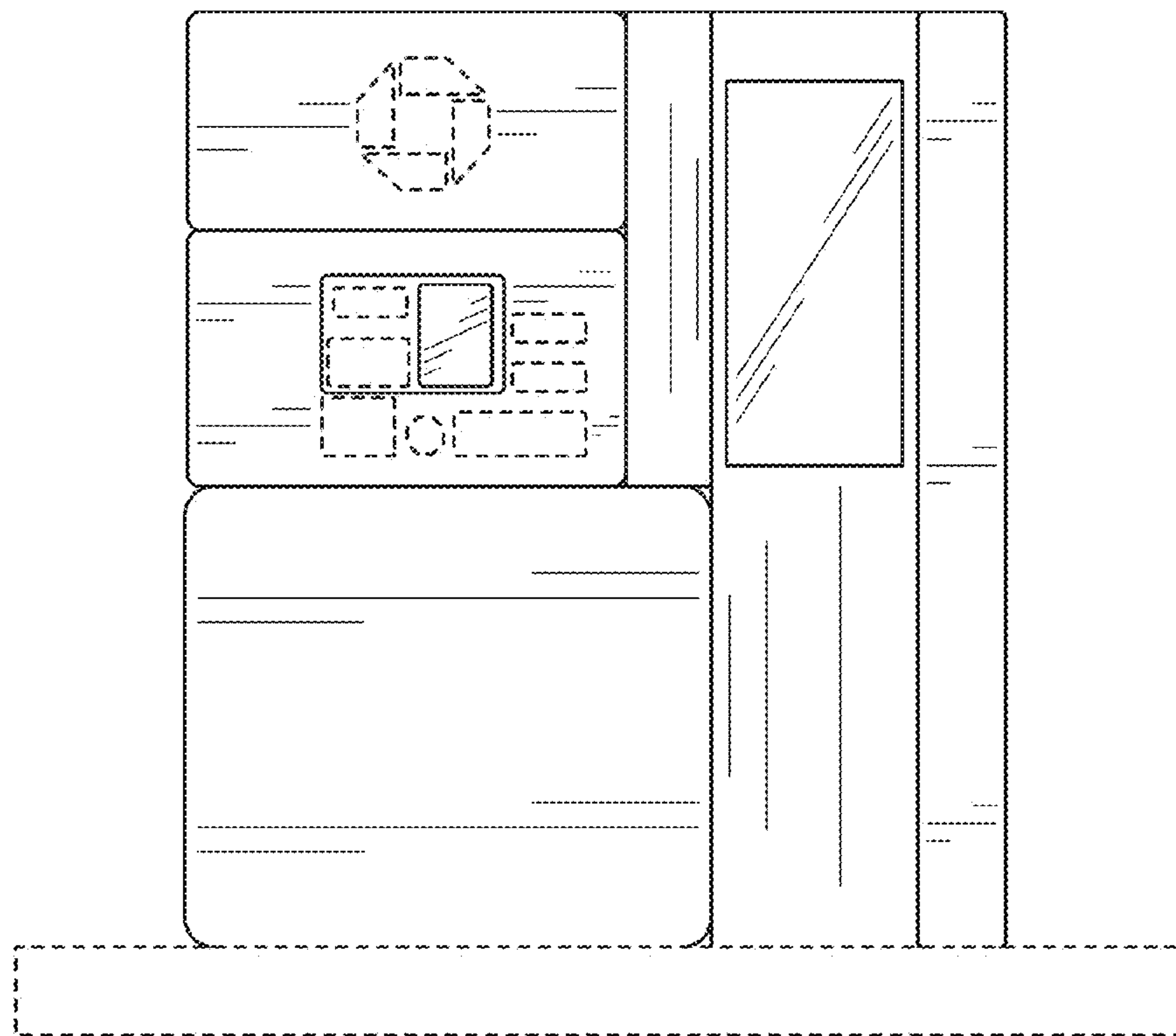


FIG. 2

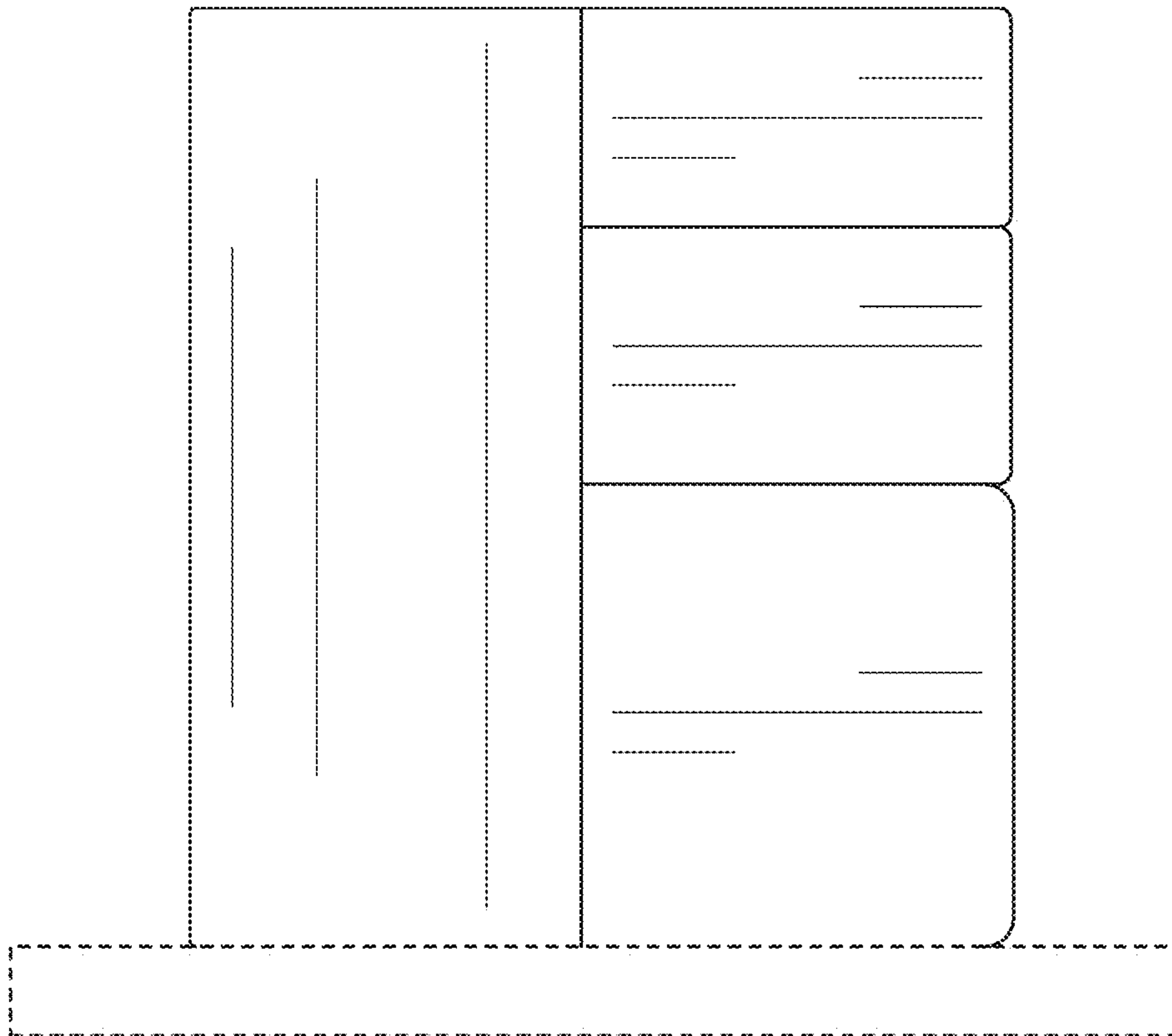


FIG. 3

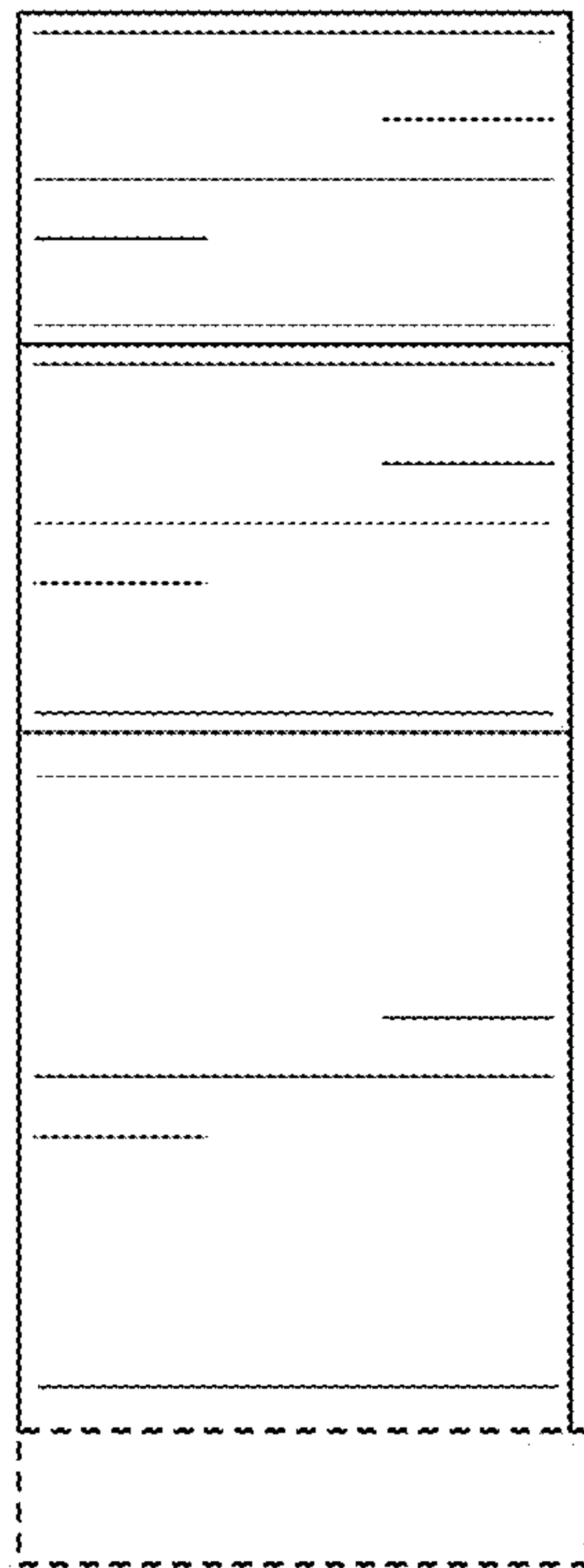


FIG. 4

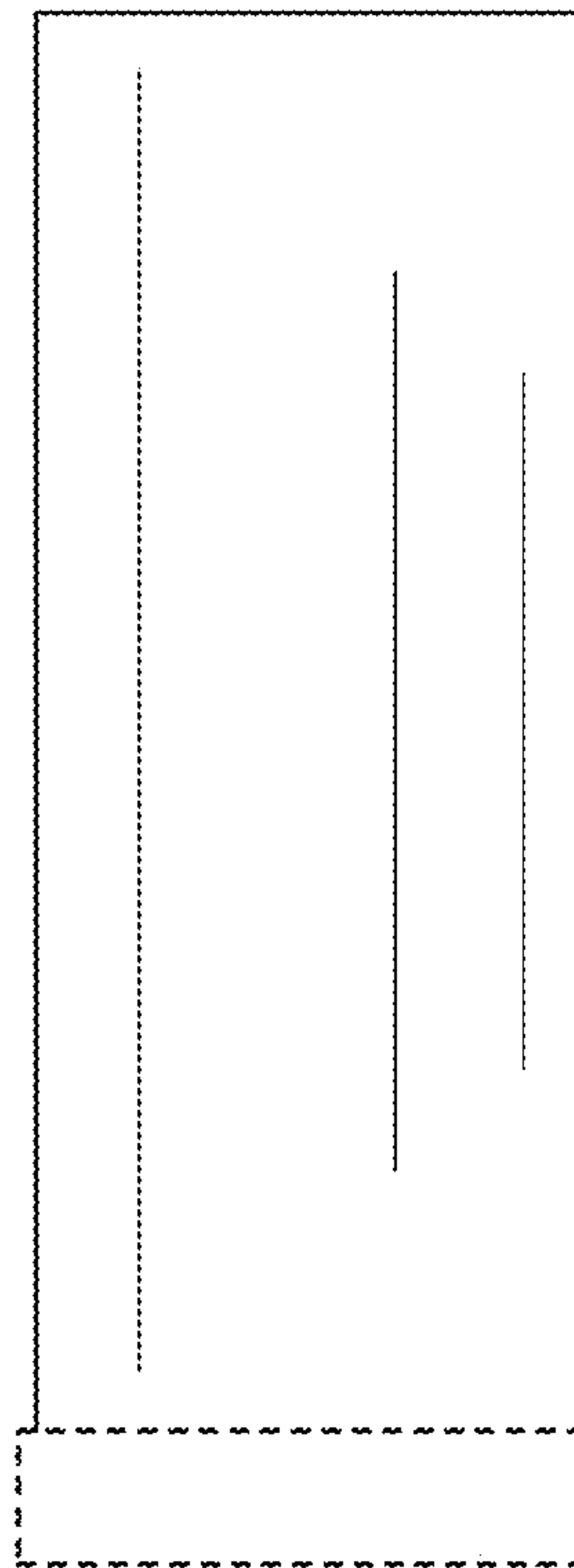


FIG. 5

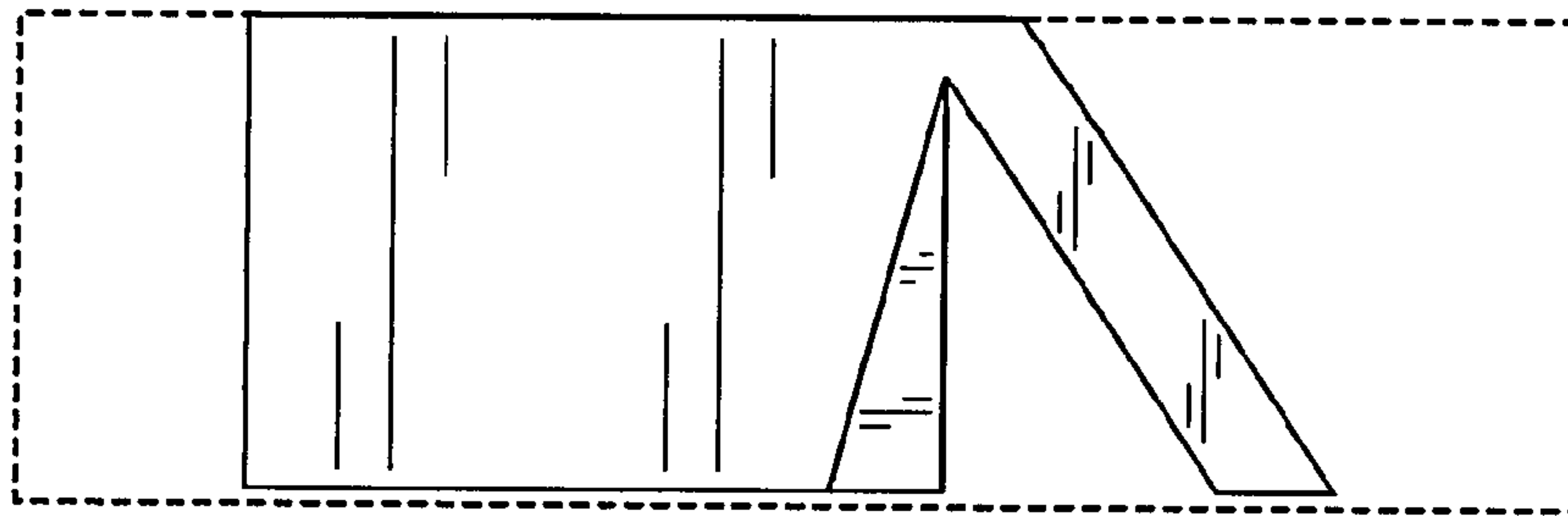


FIG. 6



FIG. 7