

US00D693981S

(12) **United States Design Patent**
Walter

(10) **Patent No.:** **US D693,981 S**
(45) **Date of Patent:** **** Nov. 19, 2013**

(54) **CART**
(71) Applicant: **AMSA, Inc.**, Boulder, CO (US)
(72) Inventor: **Ivor Michel Walter**, Boulder, CO (US)
(73) Assignee: **AMSA, Inc.**, Boulder, CO (US)
(**) Term: **14 Years**
(21) Appl. No.: **29/439,245**

D548,919 S * 8/2007 Dietzel et al. D34/27
D589,852 S * 4/2009 Giampavolo D12/133
D596,366 S * 7/2009 Giampavolo D34/17
7,681,891 B2 * 3/2010 Deal et al. 280/33.991
D649,317 S * 11/2011 Nolin et al. D34/12
D655,880 S * 3/2012 Giampavolo et al. D34/12
D665,552 S 8/2012 Walter
D672,111 S 12/2012 Walter
2001/0022436 A1 9/2001 Simard
2003/0151219 A1 8/2003 Simard
2006/0290082 A1* 12/2006 Duchene 280/33.991
2010/0102523 A1* 4/2010 Deal et al. 280/33.992

(22) Filed: **Dec. 7, 2012**
(51) **LOC (9) Cl.** **12-02**
(52) **U.S. Cl.**
USPC **D34/27**
(58) **Field of Classification Search**
USPC D34/12-27; 280/33.991-33.997, 47.17,
280/47.19, 47.24, 47.26, 47.29, 47.35,
280/47.38, 79.2, 79.3, 79.11; 248/413
See application file for complete search history.

OTHER PUBLICATIONS

Innovative Marketing & Distribution Inc. BasketCart Scan of website
[http://i-m-d.com/basketcart/] obtained from the Internet Archive
showing prior art carts distributed by Innovative Marketing &
Distribution Inc.

(Continued)

Primary Examiner — Cynthia Ramirez
(74) *Attorney, Agent, or Firm* — Margaret Polson; Oppedahl
Patent Law Firm LLC

(56) **References Cited**
U.S. PATENT DOCUMENTS

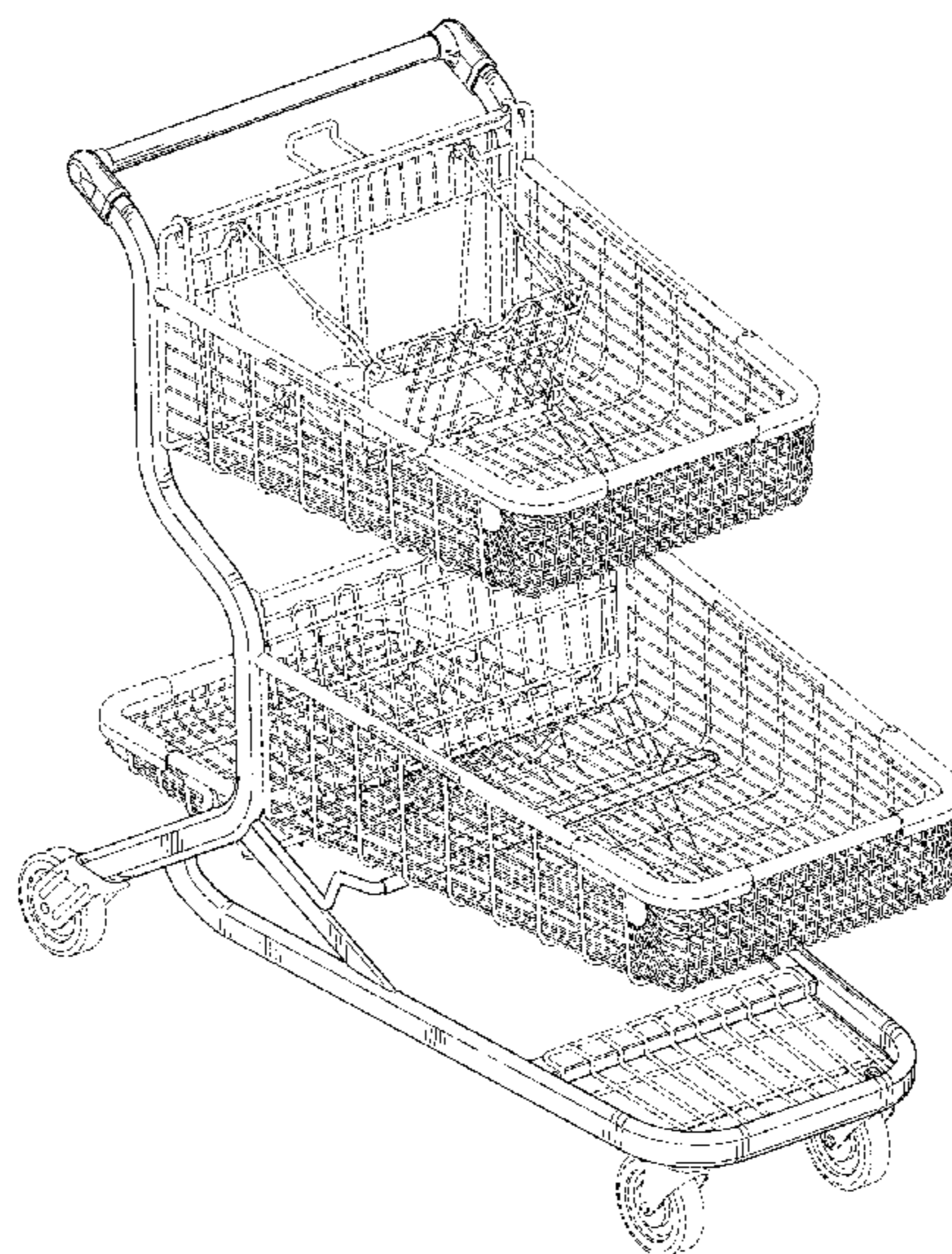
2,943,707 A 7/1960 Ramlose
3,337,227 A 8/1967 Castaldo
3,885,806 A 5/1975 Trubiano
D240,297 S 6/1976 Trubiano
D314,269 S 1/1991 Trubiano
5,435,582 A 7/1995 Davidson
D363,589 S 10/1995 Lafleur et al.
D365,904 S * 1/1996 Adamson et al. D34/17
D367,348 S * 2/1996 Basharat D34/18
5,507,507 A 4/1996 Davidson
D386,873 S 11/1997 Langlois D'Estaintot et al.
5,769,435 A 6/1998 Nishida
D407,882 S 4/1999 Duchene
6,126,181 A 10/2000 Ondrasik
6,644,674 B2 11/2003 Simard
D520,209 S * 5/2006 Duchene D34/27

(57) **CLAIM**
The ornamental design for a cart, as shown and described.

DESCRIPTION

FIG. 1 is a front perspective view of my new design for a cart.
FIG. 2 is a side elevation view of the right and left sides, which
are mirror images, of FIG. 1.
FIG. 3 is a front side elevation view of FIG. 1.
FIG. 4 is a back side elevation view of FIG. 1.
FIG. 5 is a top plan view of FIG. 1; and,
FIG. 6 is a bottom plan view of FIG. 1.
The features shown in broken lines in the drawing depict
environmental subject matter only and form no part of the
claimed design

1 Claim, 6 Drawing Sheets



(56)

References Cited

OTHER PUBLICATIONS

InStore Products Limited Model 3BB1 Scan of product specifications from website [<http://www.instorecorp.com/PDFs/3BB1-English.pdf>] showing prior art cart distributed by InStore Products Limited.

InStore Products Limited Model 5BB7 Scan of product specifications from website [<http://www.instorecorp.com/PDFs/5BB7-English.pdf>] showing prior art cart distributed by InStore Products Limited.

InStore Products Limited Model S3 Scan of product specifications from website [<http://www.instorecorp.com/PDFs/S3-English.pdf>] showing prior art cart distributed by InStore Products Limited.

InStore Products Limited Model S4 Scan of product specifications from website [<http://www.instorecorp.com/PDFs/S4-English.pdf>] showing prior art cart distributed by InStore Products Limited.

Unarco Industries, Inc. Model 170Z Scan of product specifications from website [<http://www.unarco.com/M170Z.pdf>] showing prior art cart distributed by Unarco Industries, Inc.

* cited by examiner

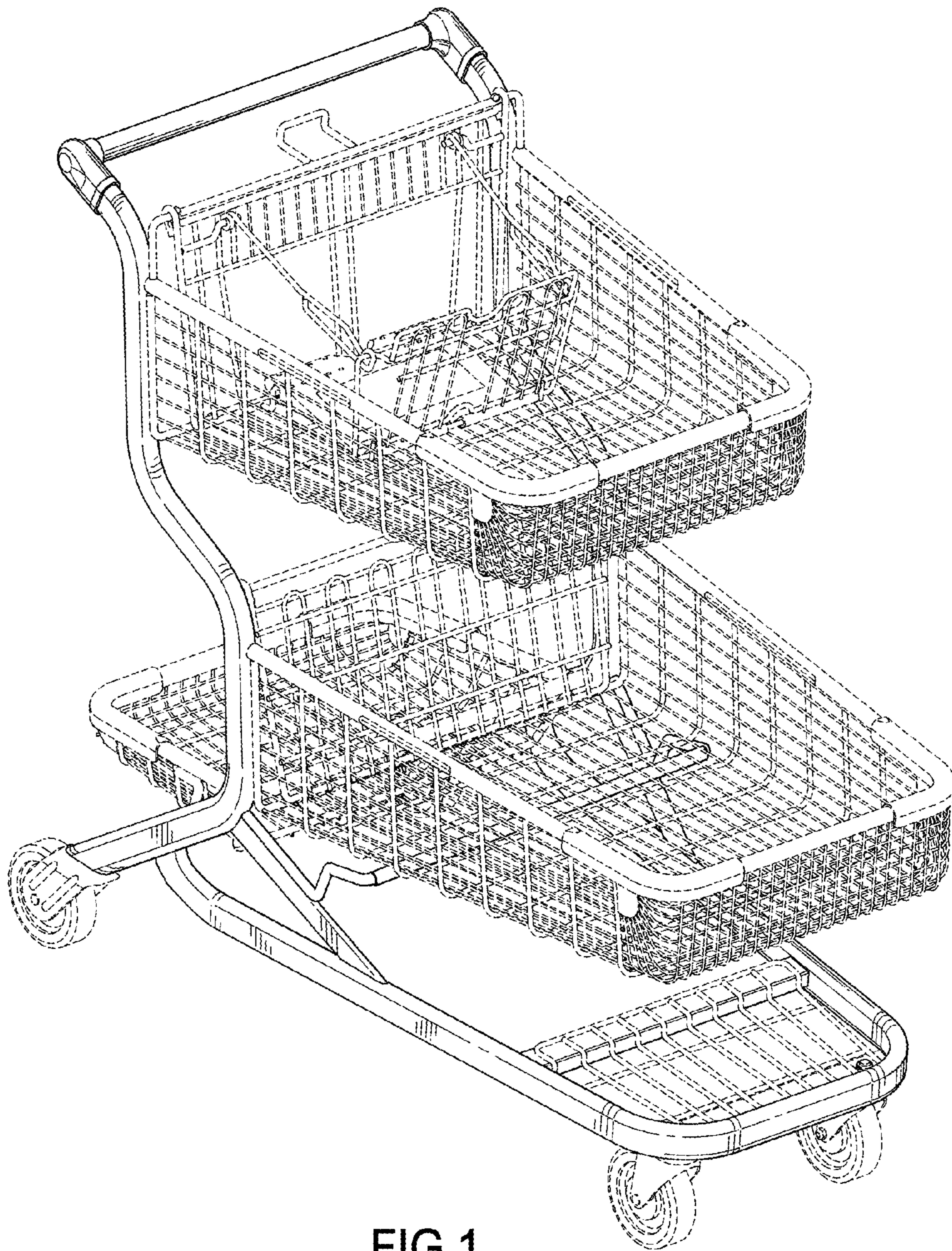


FIG.1

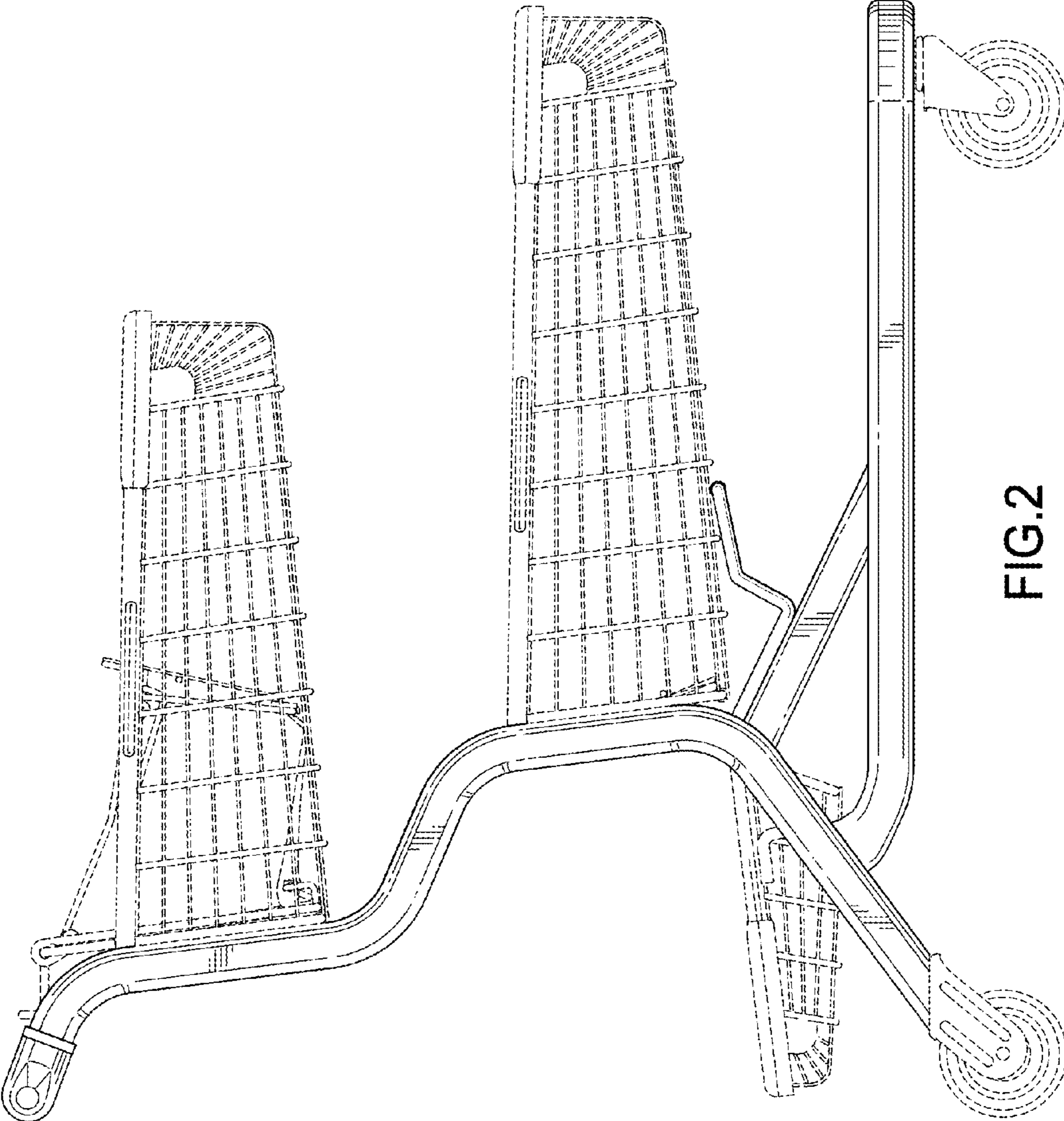


FIG. 2

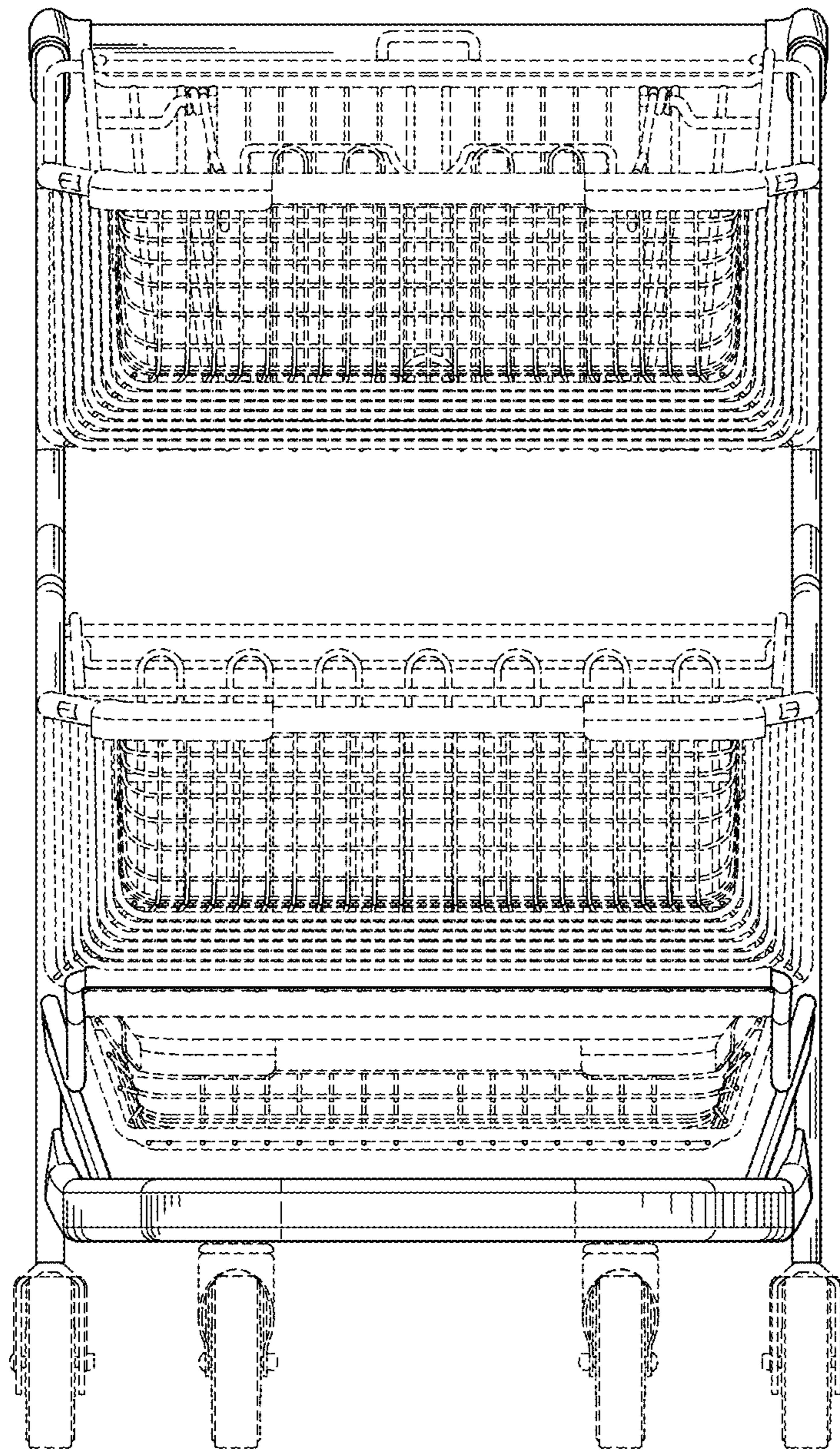


FIG.3

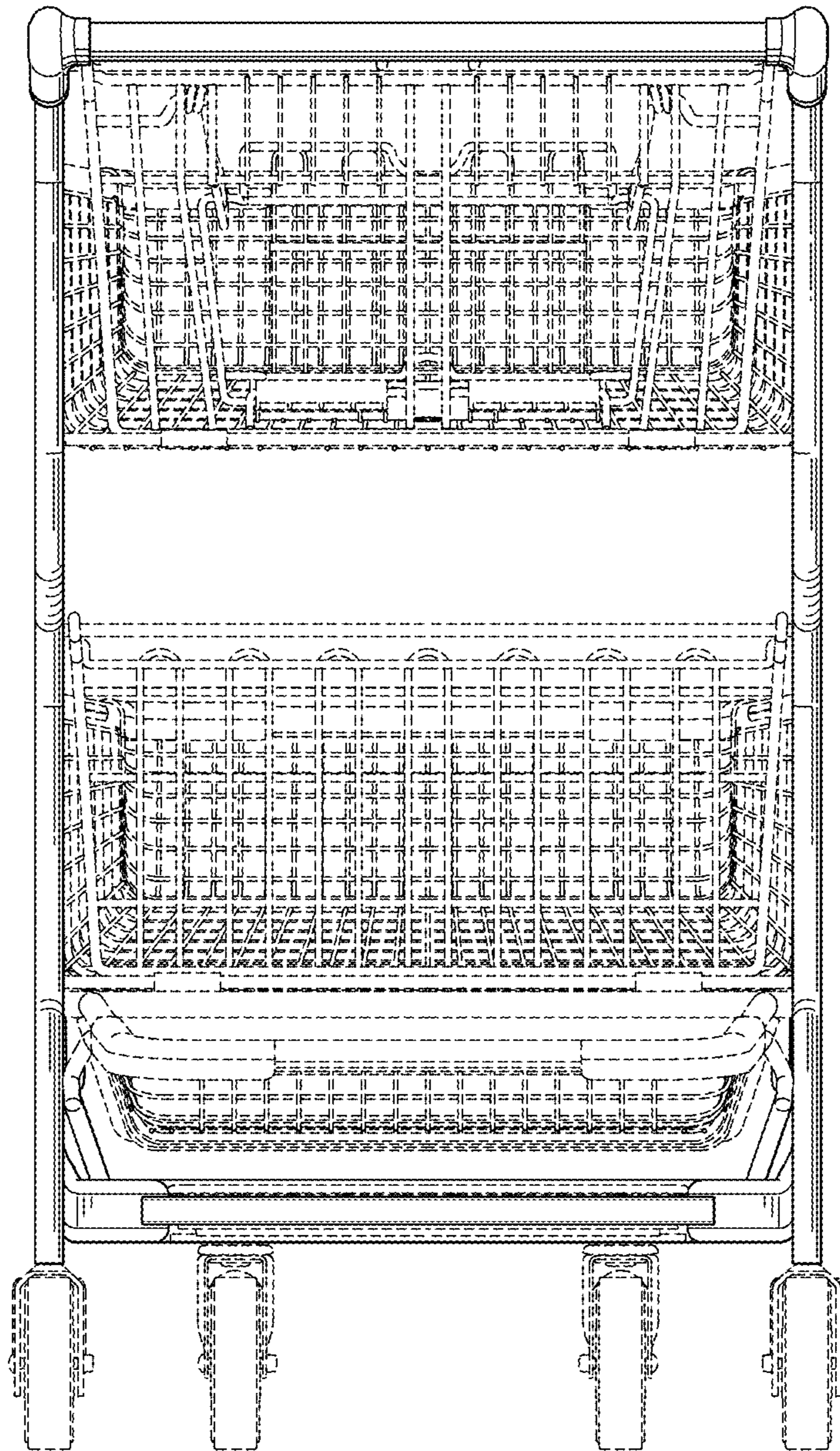


FIG.4

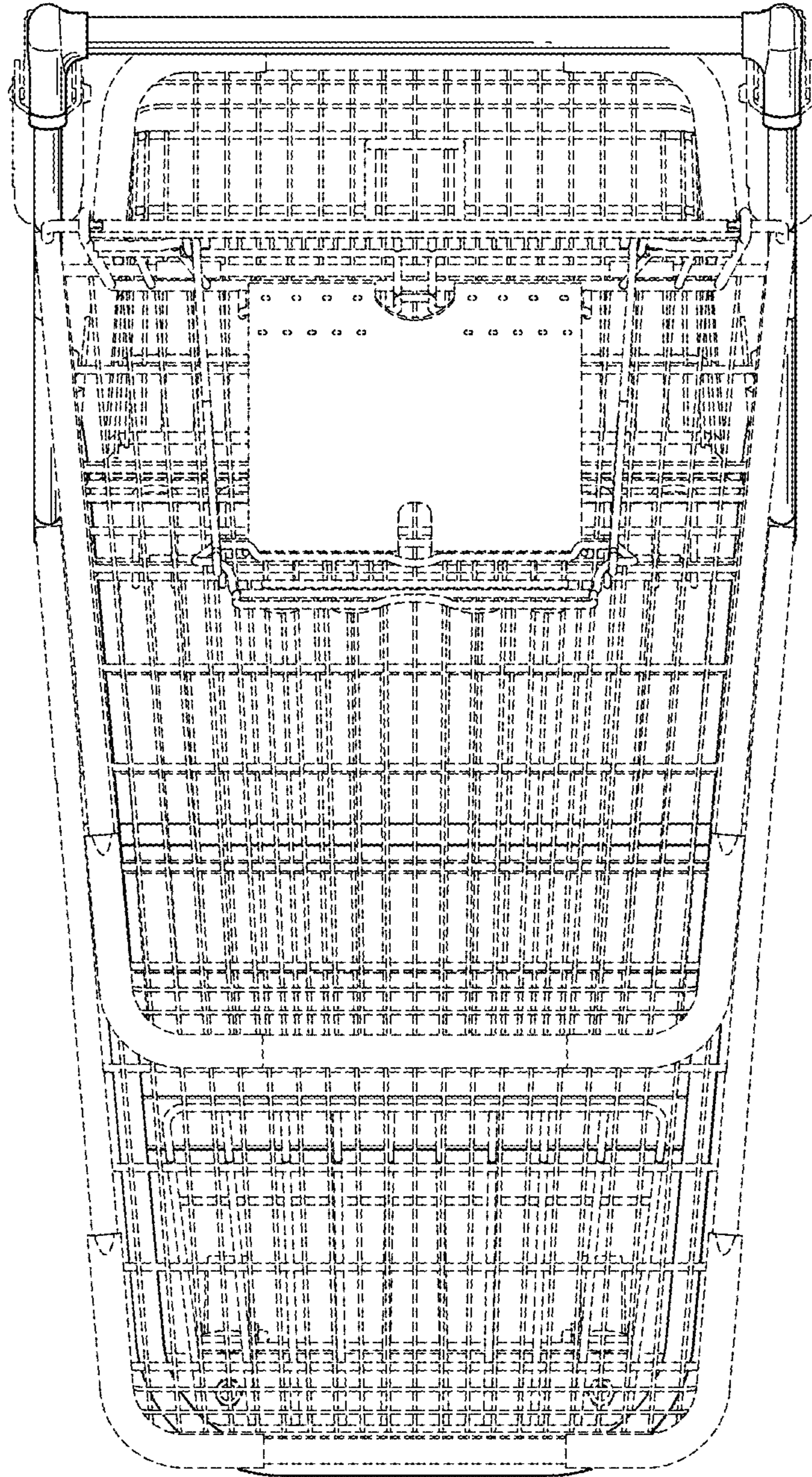


FIG.5

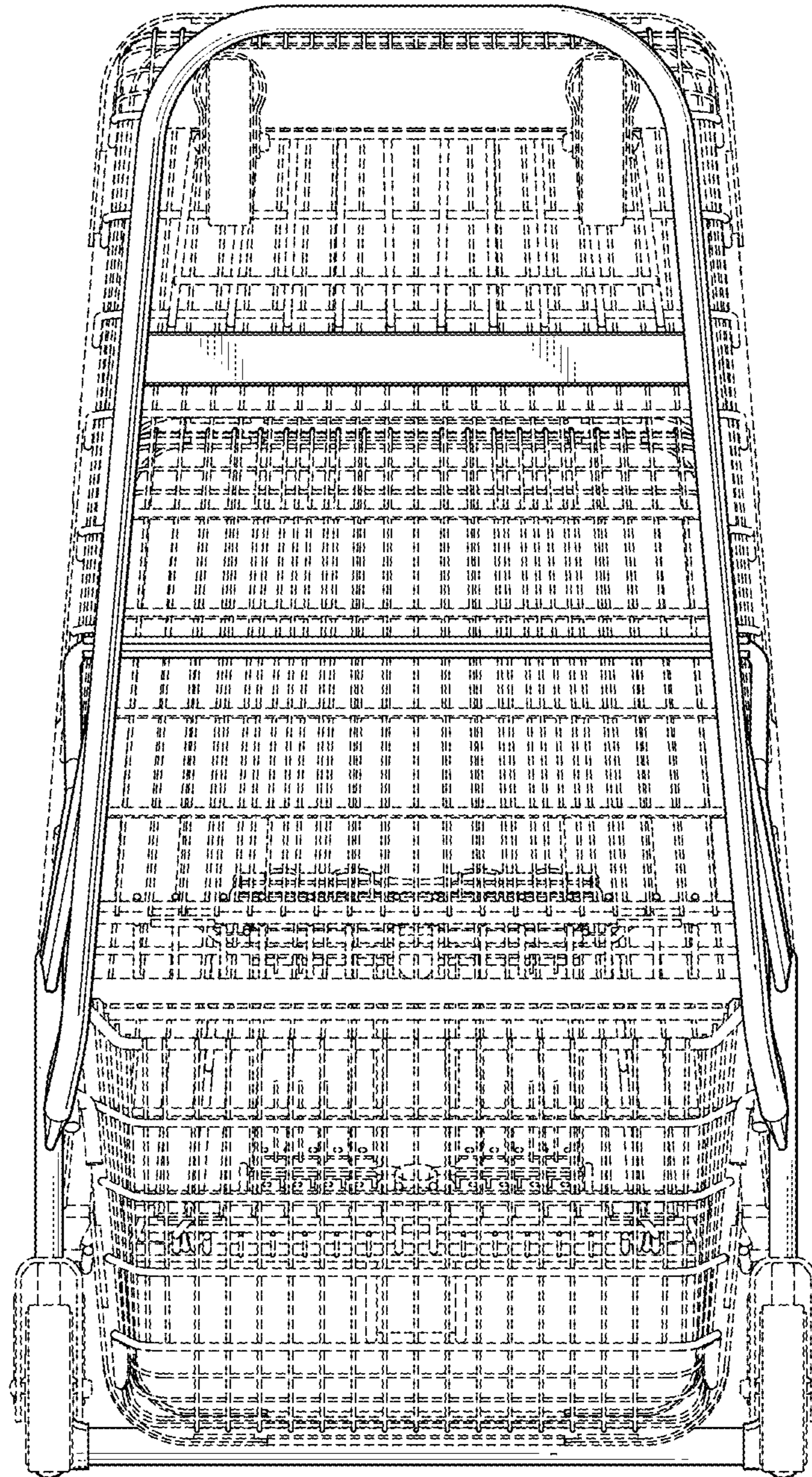


FIG.6

UNITED STATES PATENT AND TRADEMARK OFFICE
CERTIFICATE OF CORRECTION

PATENT NO. : D693,981 S
APPLICATION NO. : 29/439245
DATED : November 19, 2013
INVENTOR(S) : Walter et al.

Page 1 of 1

It is certified that error appears in the above-identified patent and that said Letters Patent is hereby corrected as shown below:

Title Page, Item (12) delete "Walter" and insert --Walter et al.--.

Title Page, Item (75) Inventor, should read

--(75) Inventors: Ivor Michel Walter, Boulder, CO (US); Jeroen Engel, Bromhof (ZA);
Ning Siu Sin, Hong Kong (CN)--.

Signed and Sealed this
Twelfth Day of July, 2016



Michelle K. Lee
Director of the United States Patent and Trademark Office