



US00D693980S

(12) **United States Design Patent**  
**Sanwald et al.**

(10) **Patent No.:** **US D693,980 S**

(45) **Date of Patent:** **\*\* Nov. 19, 2013**

(54) **POWDER SPRAY COATING CART**

(75) Inventors: **Marco Sanwald**, Abtwil (CH);  
**Hanspeter Michael**, Gossau (CH)

(73) Assignee: **Illinois Tool Works Inc.**, Glenview, IL  
(US)

(\*\*) Term: **14 Years**

(21) Appl. No.: **29/430,709**

(22) Filed: **Aug. 29, 2012**

**Related U.S. Application Data**

(62) Division of application No. 29/398,559, filed on Aug. 2, 2011, now Pat. No. Des. 674,572.

(51) **LOC (9) Cl.** ..... **12-02**

(52) **U.S. Cl.**  
USPC ..... **D34/14**

(58) **Field of Classification Search**  
USPC ..... D34/12-27; 280/642, 42, 47.31, 650,  
280/47.18, 47.19, 47.24, 47.27, 47.28,  
280/47.34-47.371, 79.5-79.7; 406/39, 134  
See application file for complete search history.

(56) **References Cited**

**U.S. PATENT DOCUMENTS**

D187,550 S \* 3/1960 Hoover ..... D15/150  
3,940,065 A 2/1976 Ware et al.  
4,588,318 A 5/1986 O'Brien et al.  
D396,824 S \* 8/1998 Bolster ..... D11/130.1  
D424,771 S \* 5/2000 Sivells et al. .... D34/14

D444,279 S \* 6/2001 Kristiansen et al. .... D34/12  
6,279,838 B1 8/2001 Sivells et al.  
D493,020 S \* 7/2004 Resfum ..... D34/20  
D622,924 S \* 8/2010 Liao ..... D34/15  
7,871,090 B2 1/2011 Staub  
D674,572 S \* 1/2013 Sanwald et al. .... D34/14

\* cited by examiner

*Primary Examiner* — Cynthia Ramirez

(74) *Attorney, Agent, or Firm* — Lowe Hauptman & Ham,  
LLP

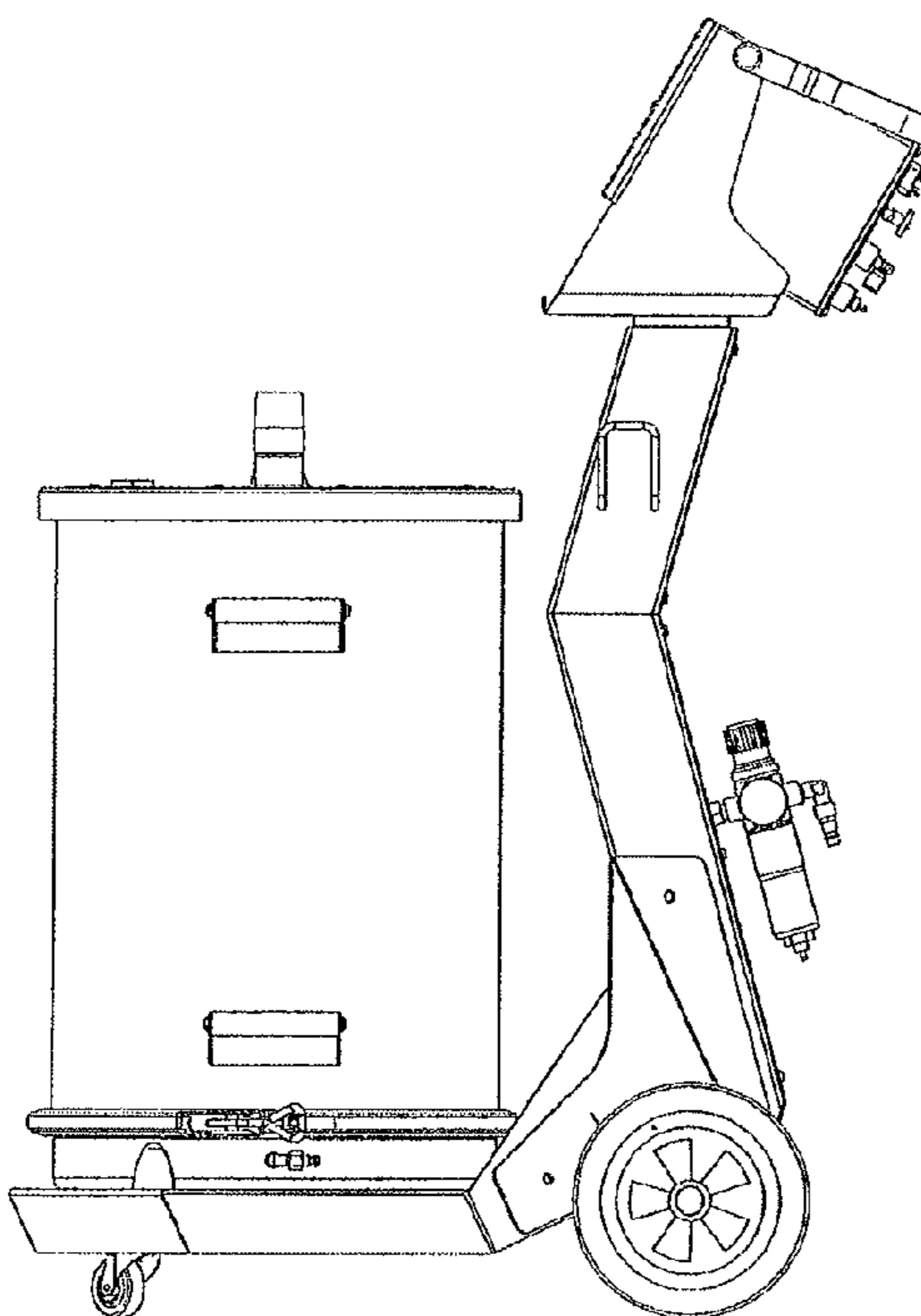
(57) **CLAIM**

The ornamental design for a powder spray coating cart, as shown and described.

**DESCRIPTION**

FIG. 1 is a left side view of a powder spray coating cart bearing the design and having a control unit rotated in the position 0° and a cylindrical container;  
FIG. 2 is a right side view of the powder spray coating cart of FIG. 1;  
FIG. 3 is a back-right perspective view of the powder spray coating cart of FIG. 1;  
FIG. 4 is a front-right perspective view of the powder spray coating cart of FIG. 1;  
FIG. 5 is a front view of the powder spray coating cart of FIG. 1;  
FIG. 6 is a bottom view of the powder spray coating cart of FIG. 1; and,  
FIG. 7 is a top view of the powder spray coating cart of FIG. 1.

**1 Claim, 7 Drawing Sheets**



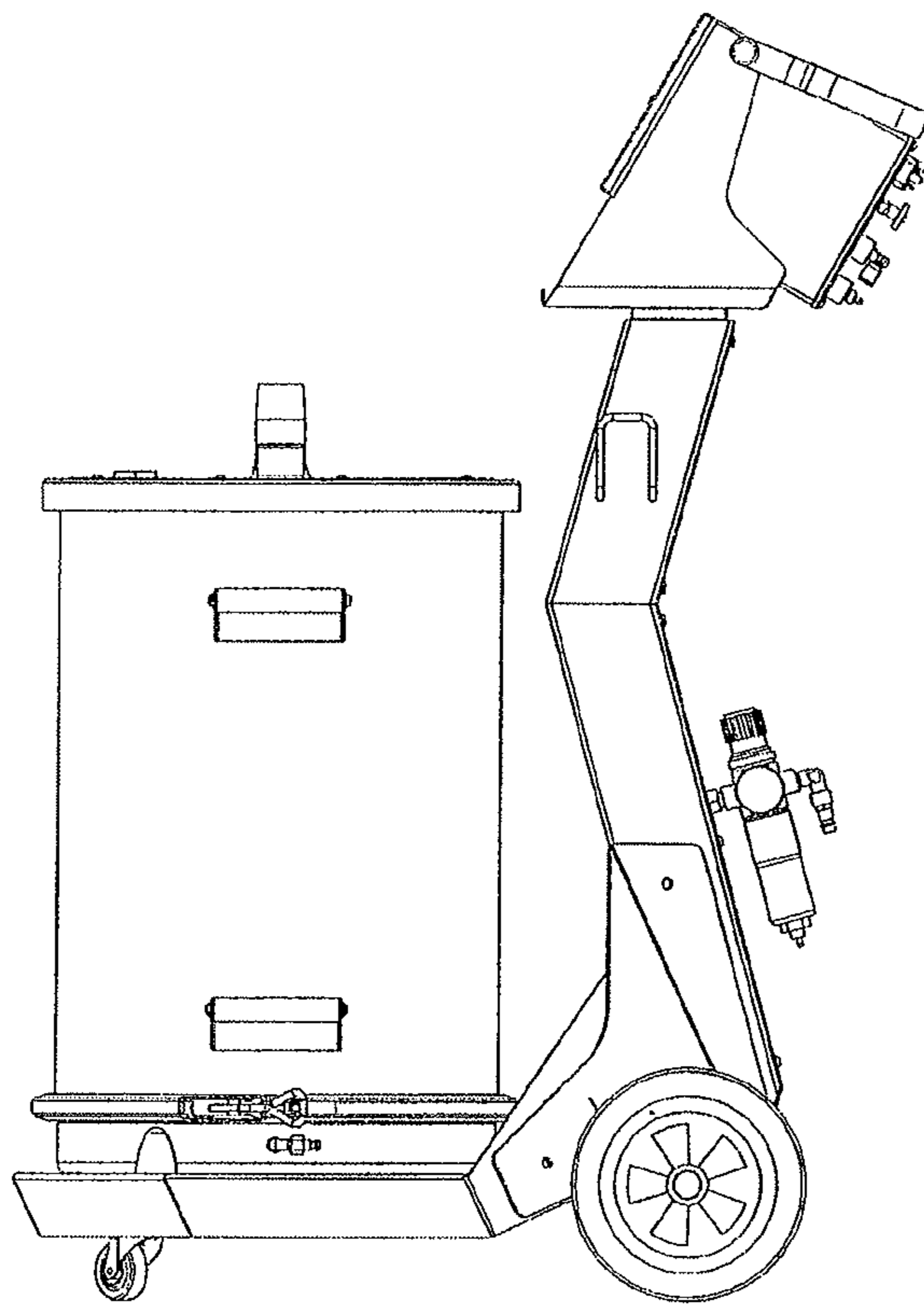


FIGURE 1

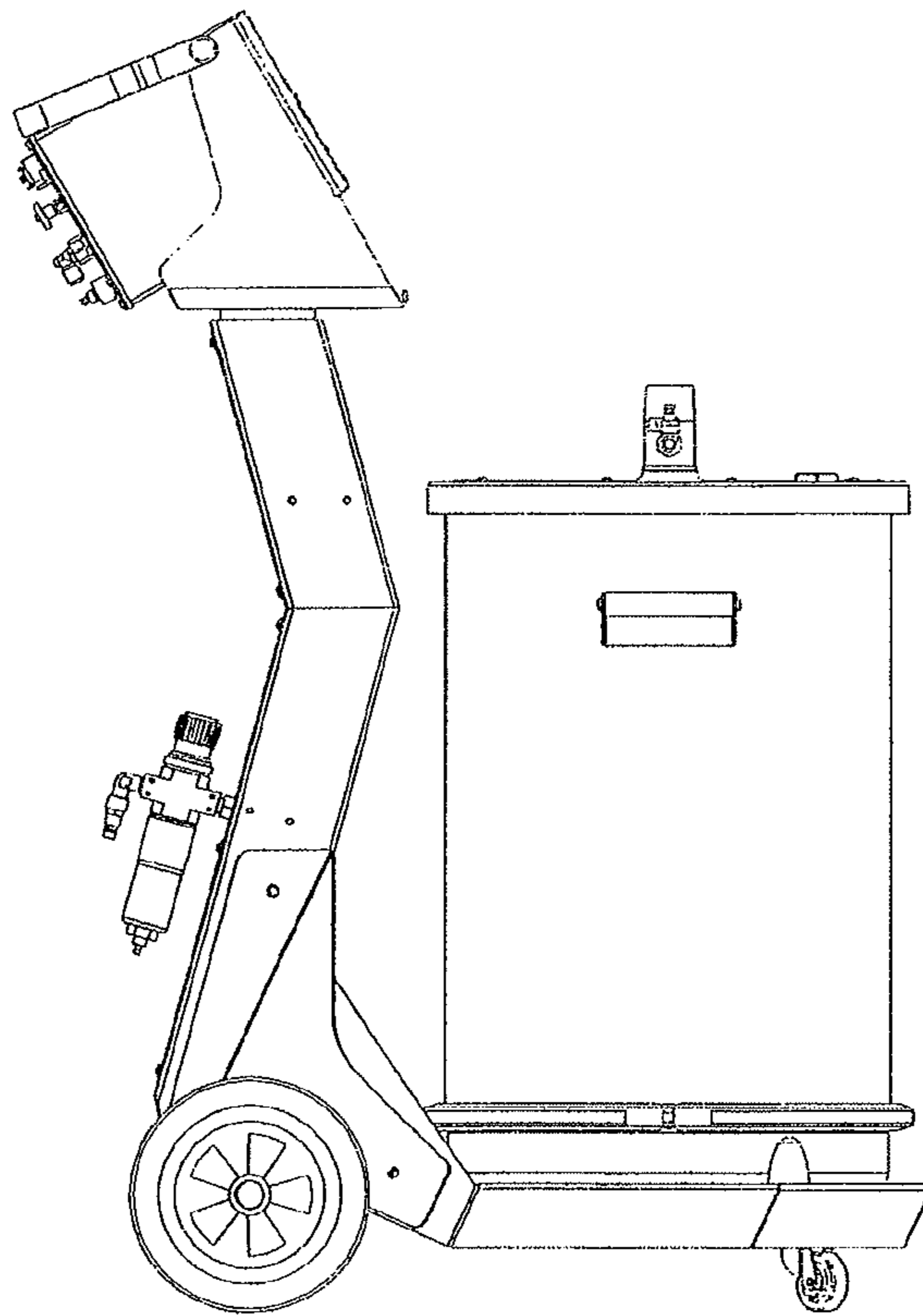


FIGURE 2

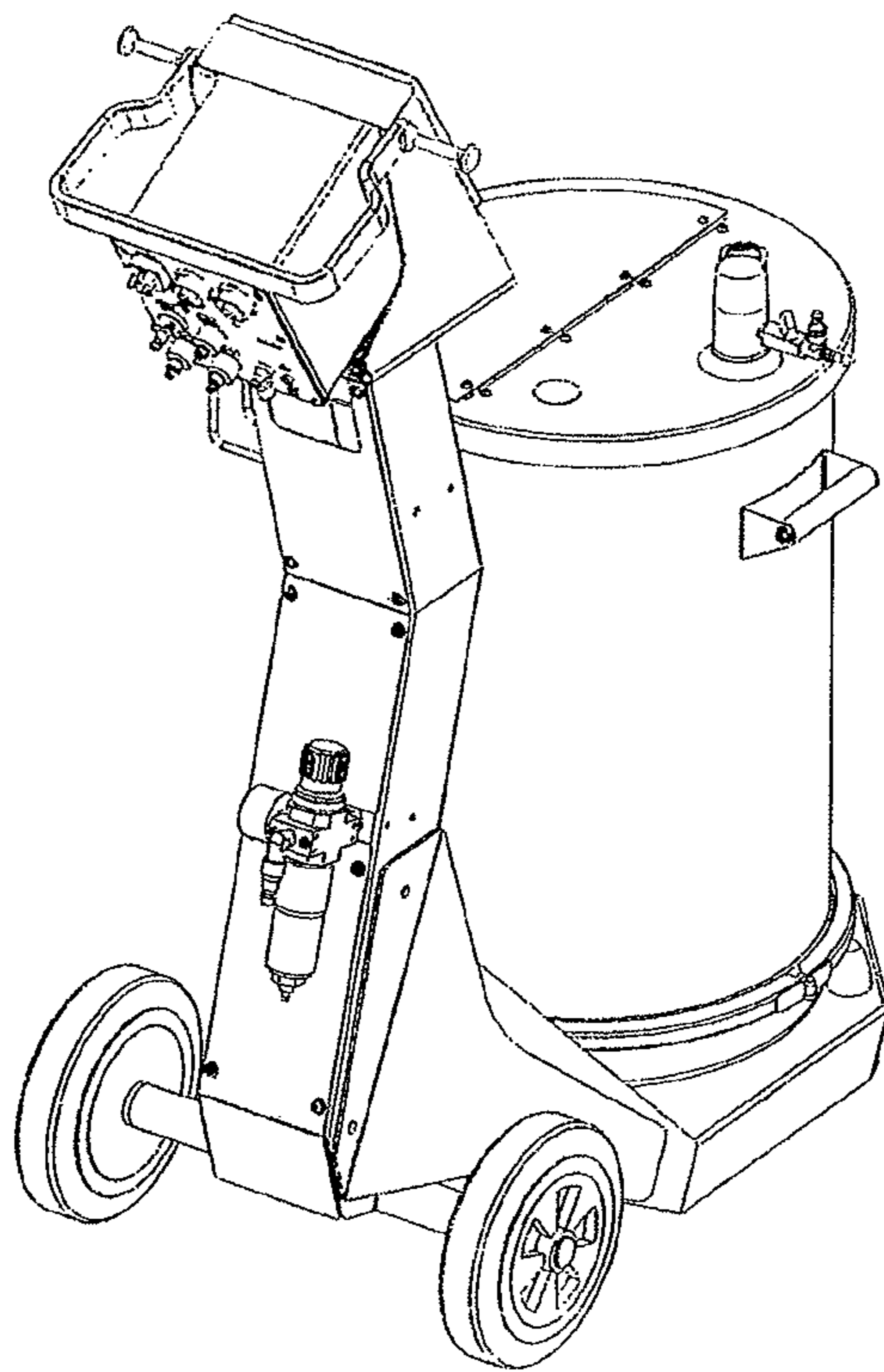


FIGURE 3

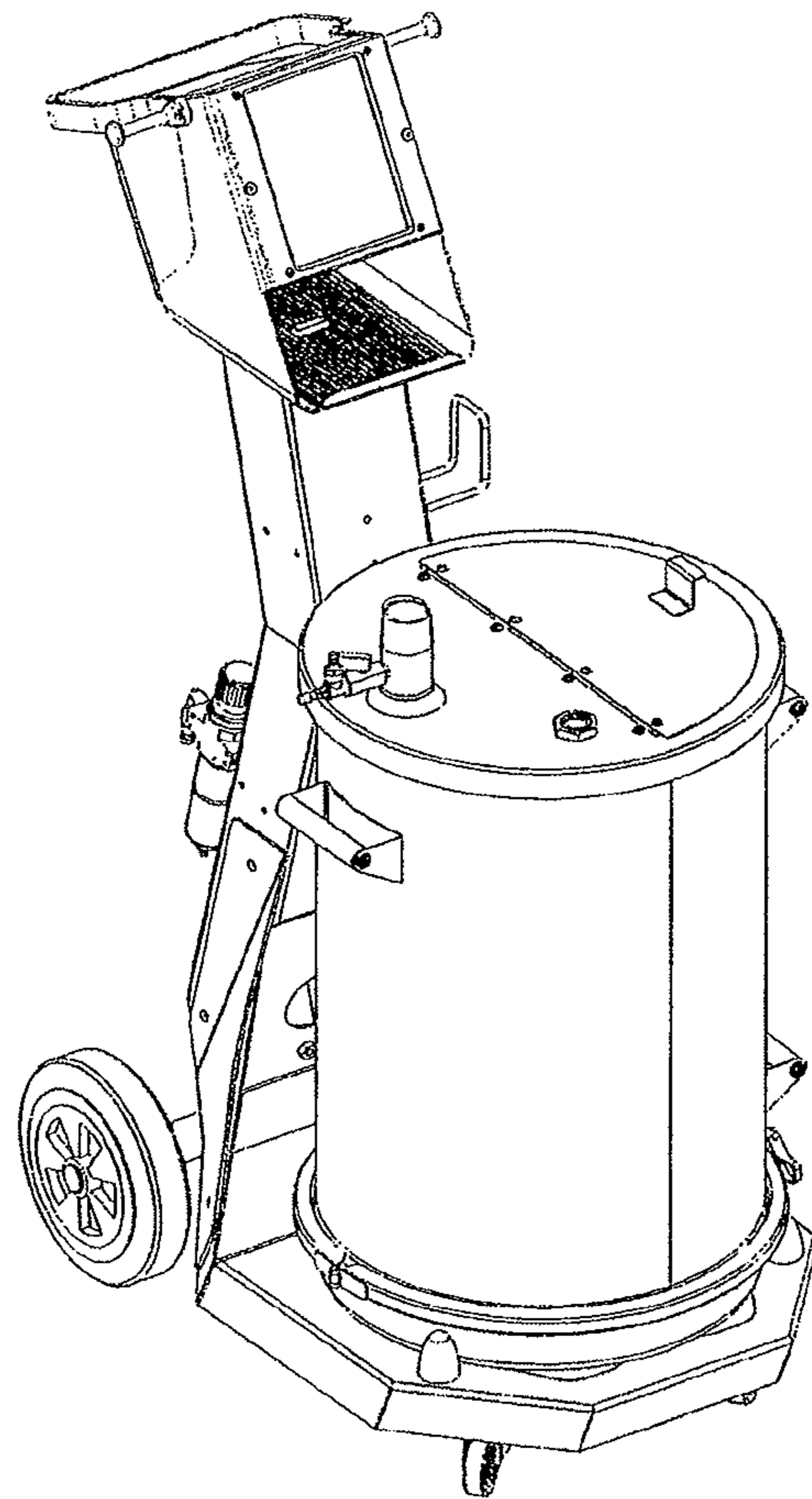


FIGURE 4

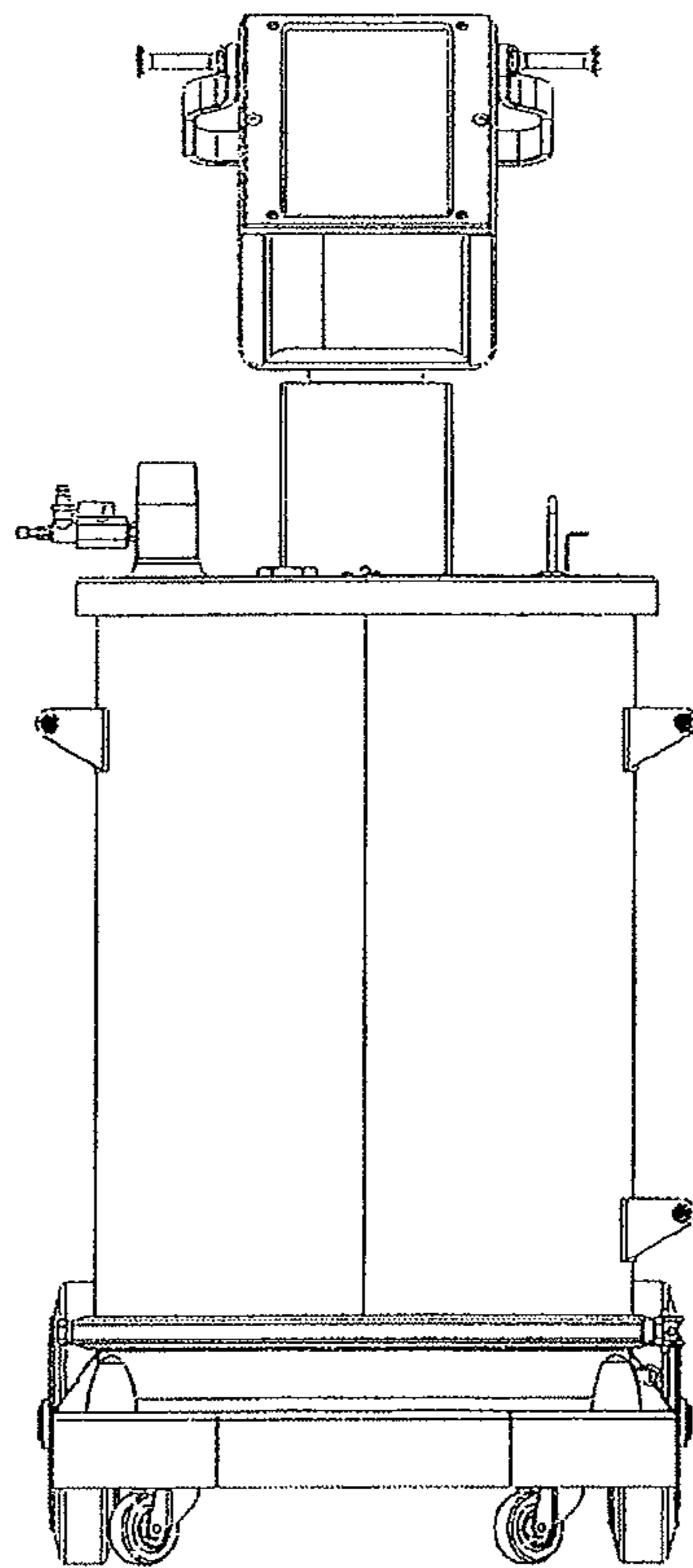


FIGURE 5

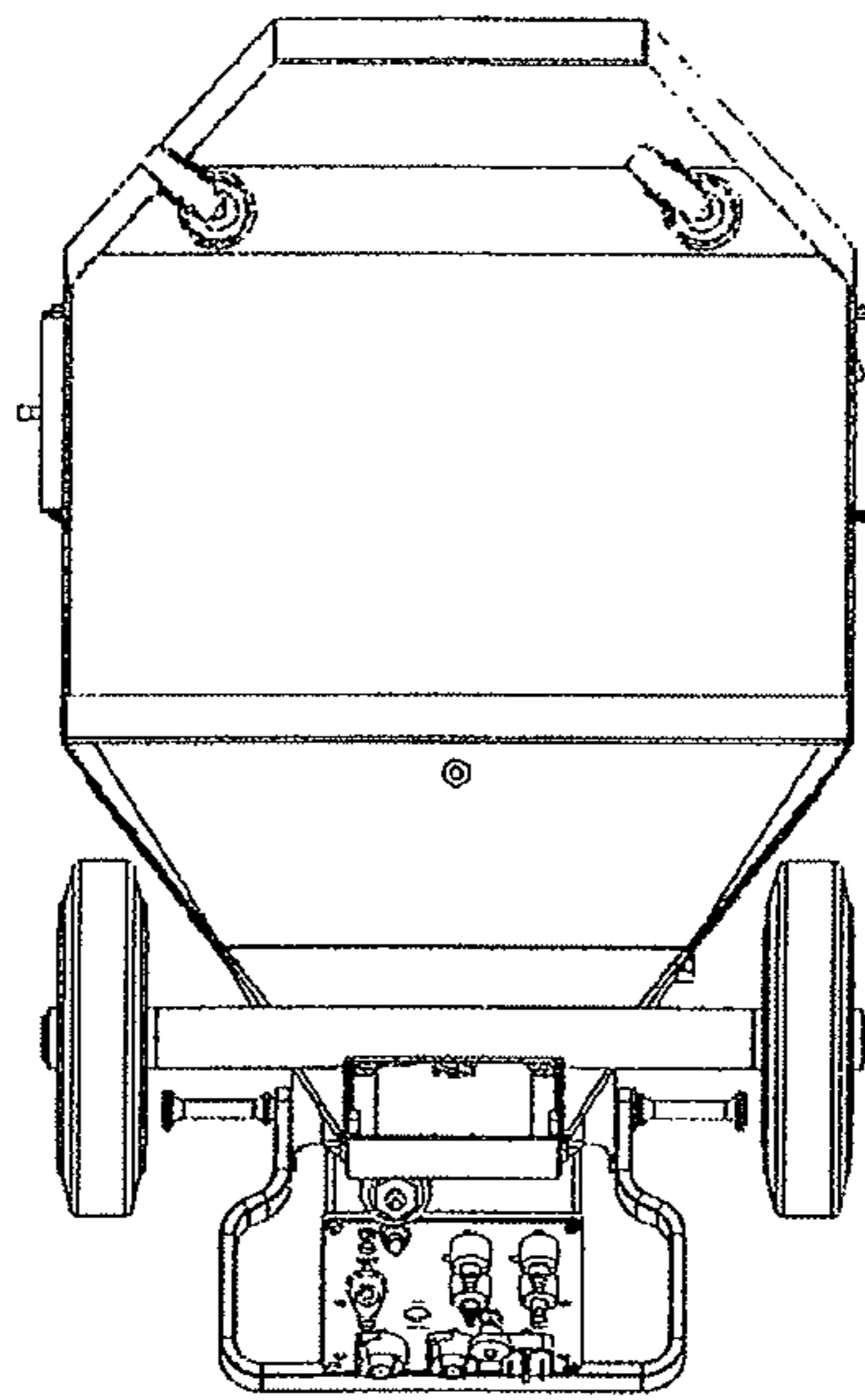


FIGURE 6

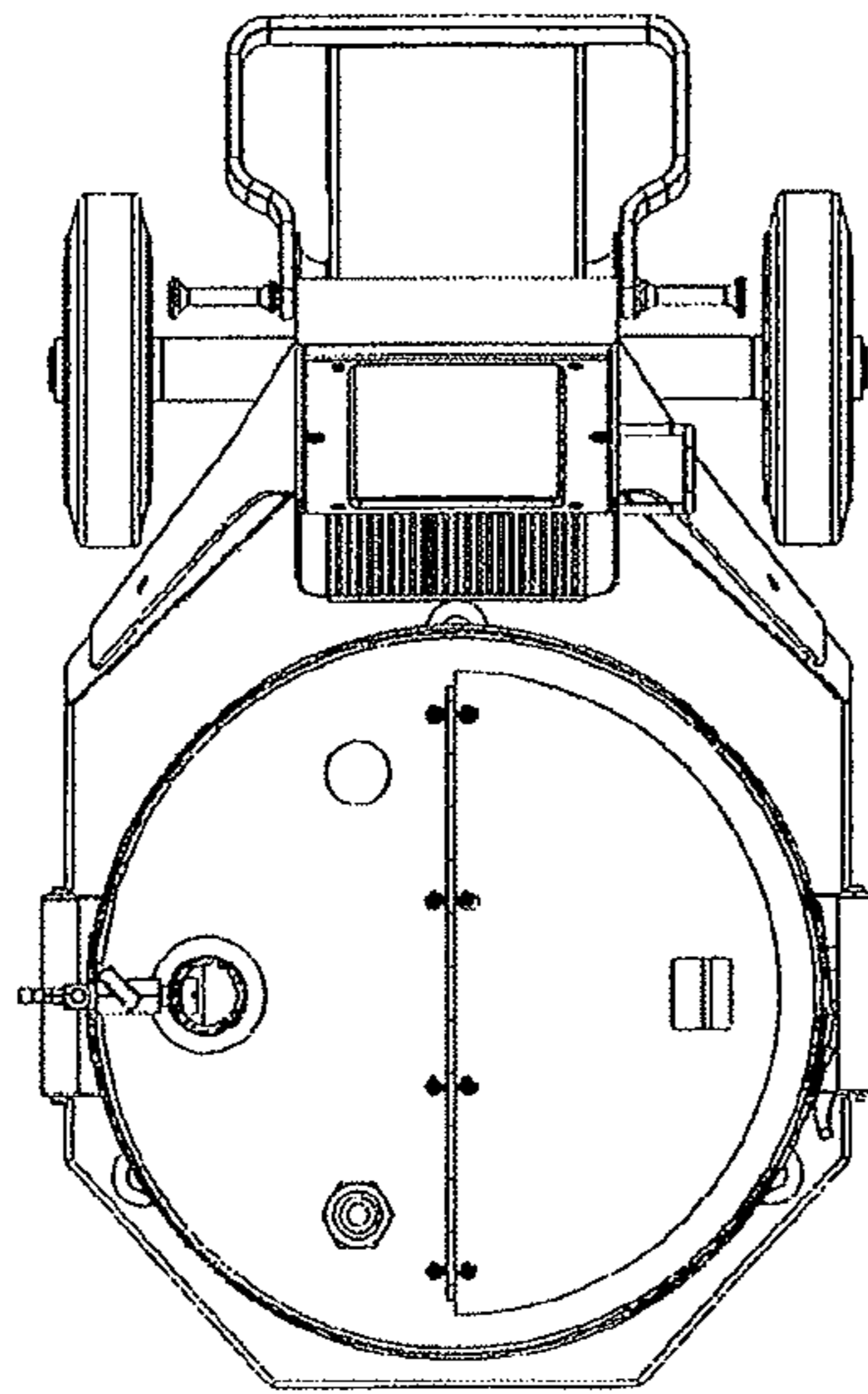


FIGURE 7