



US00D693969S

(12) **United States Design Patent**  
**Spehar**

(10) **Patent No.:** **US D693,969 S**

(45) **Date of Patent:** **\*\* Nov. 19, 2013**

(54) **DECORATIVE STRUT FOR A BEEHIVE FRAME**

(76) Inventor: **Eli Geoffrey Spehar**, Huntington Beach, CA (US)

(\*\*) Term: **14 Years**

(21) Appl. No.: **29/432,218**

(22) Filed: **Sep. 14, 2012**

(51) **LOC (9) Cl.** ..... **30-02**

(52) **U.S. Cl.**  
USPC ..... **D30/119; D30/199**

(58) **Field of Classification Search**  
USPC ..... D30/108, 119, 199; 449/3, 43, 45;  
119/165, 170  
See application file for complete search history.

(56) **References Cited**

U.S. PATENT DOCUMENTS

1,787,840	A *	1/1931	Schmidt	449/45
1,968,405	A *	7/1934	Kouba	449/27
3,885,260	A *	5/1975	Byrne et al.	449/45
4,186,458	A *	2/1980	Caviglia, III	449/43
D261,182	S *	10/1981	Guilfoyle	D30/119
4,403,358	A *	9/1983	Burgin et al.	449/43
4,672,704	A *	6/1987	Hong et al.	449/3

5,054,735	A *	10/1991	Bayer	449/3
D323,226	S *	1/1992	Johansen	D30/199
D593,259	S *	5/2009	VanderDussen	D30/108
7,610,877	B2 *	11/2009	Garfield	119/170
D629,163	S *	12/2010	Sullivan	D30/108
D634,482	S *	3/2011	Sullivan	D30/108
D634,483	S *	3/2011	Sullivan	D30/108
D637,358	S *	5/2011	Greenthal	D30/108
D641,935	S *	7/2011	Sullivan	D30/108
D659,293	S *	5/2012	Ferguson	D30/108
2008/0178818	A1 *	7/2008	Aley	119/165

\* cited by examiner

*Primary Examiner* — Cathy A MacCormac

(74) *Attorney, Agent, or Firm* — Patent Law & Venture Group; Gene Scott

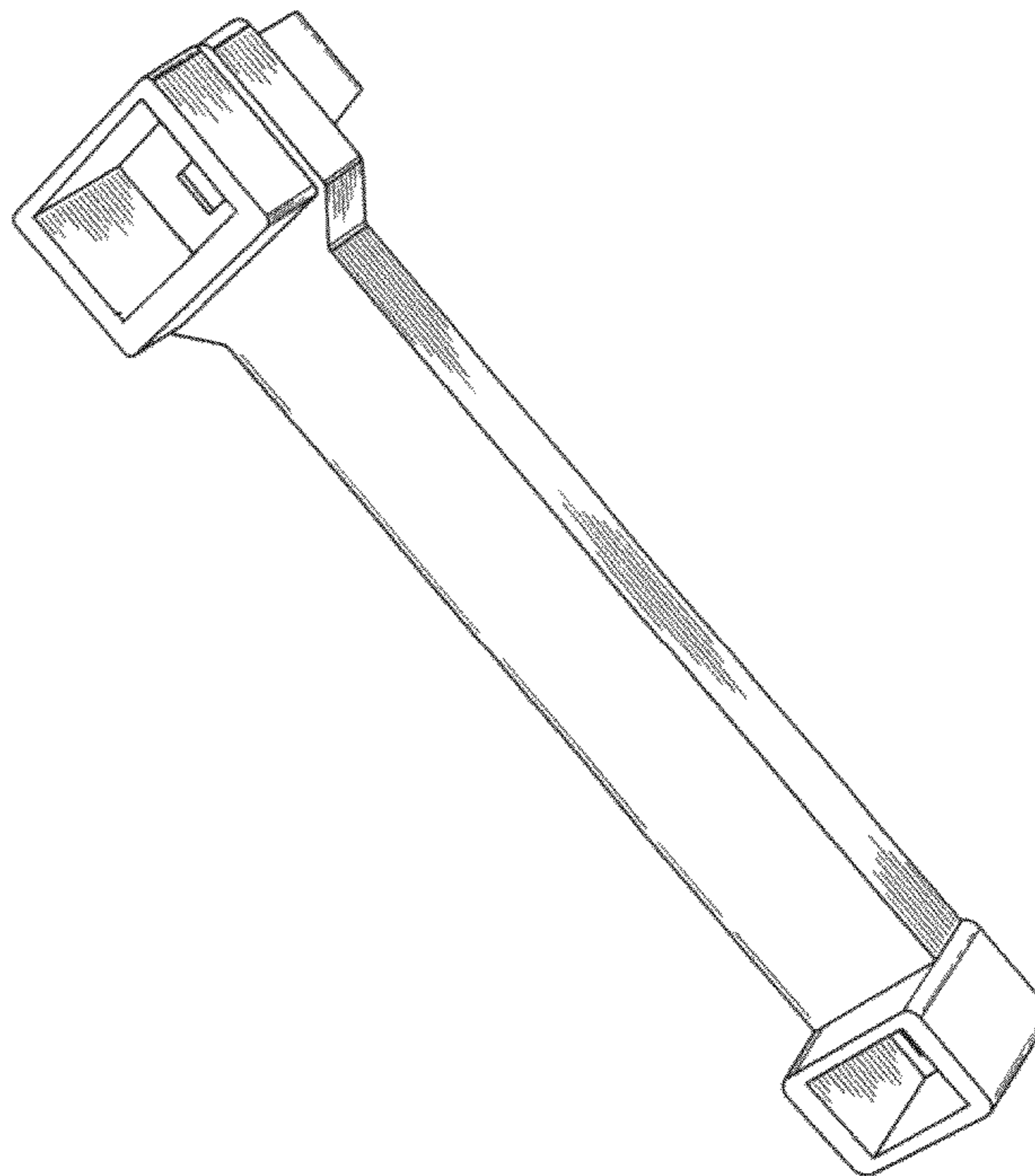
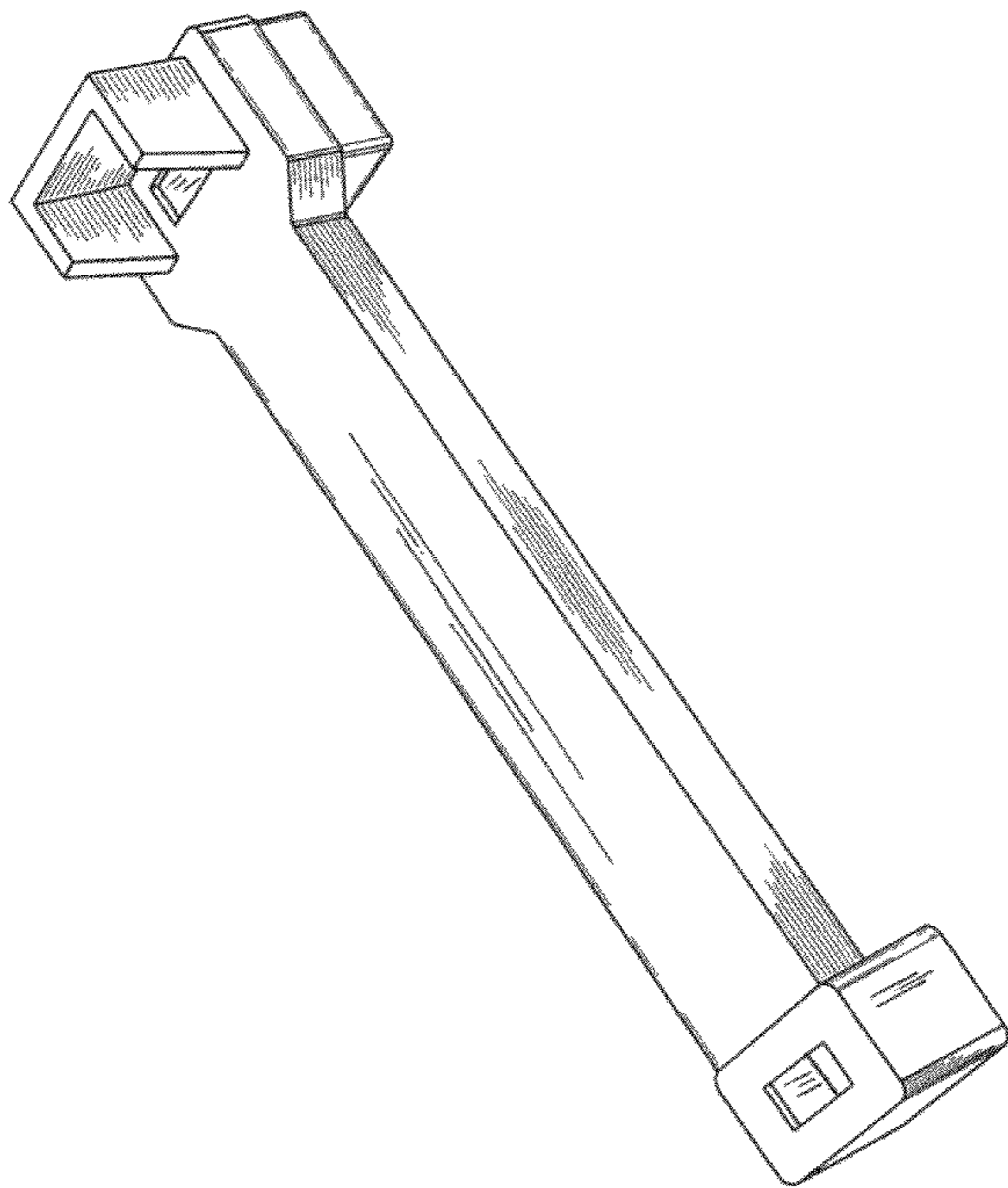
(57) **CLAIM**

The ornamental design for a decorative strut for a beehive frame, as shown and described.

**DESCRIPTION**

FIG. 1 is a front perspective view of my new design; FIG. 2 is a rear perspective view thereof; FIG. 3 is a rear elevational view thereof; FIG. 4 is a front elevational view thereof; FIG. 5 is a right side elevational view thereof, the left side elevational view being a mirror image thereof; FIG. 6 is a top plan view thereof; and, FIG. 7 is a bottom plan view thereof.

**1 Claim, 4 Drawing Sheets**



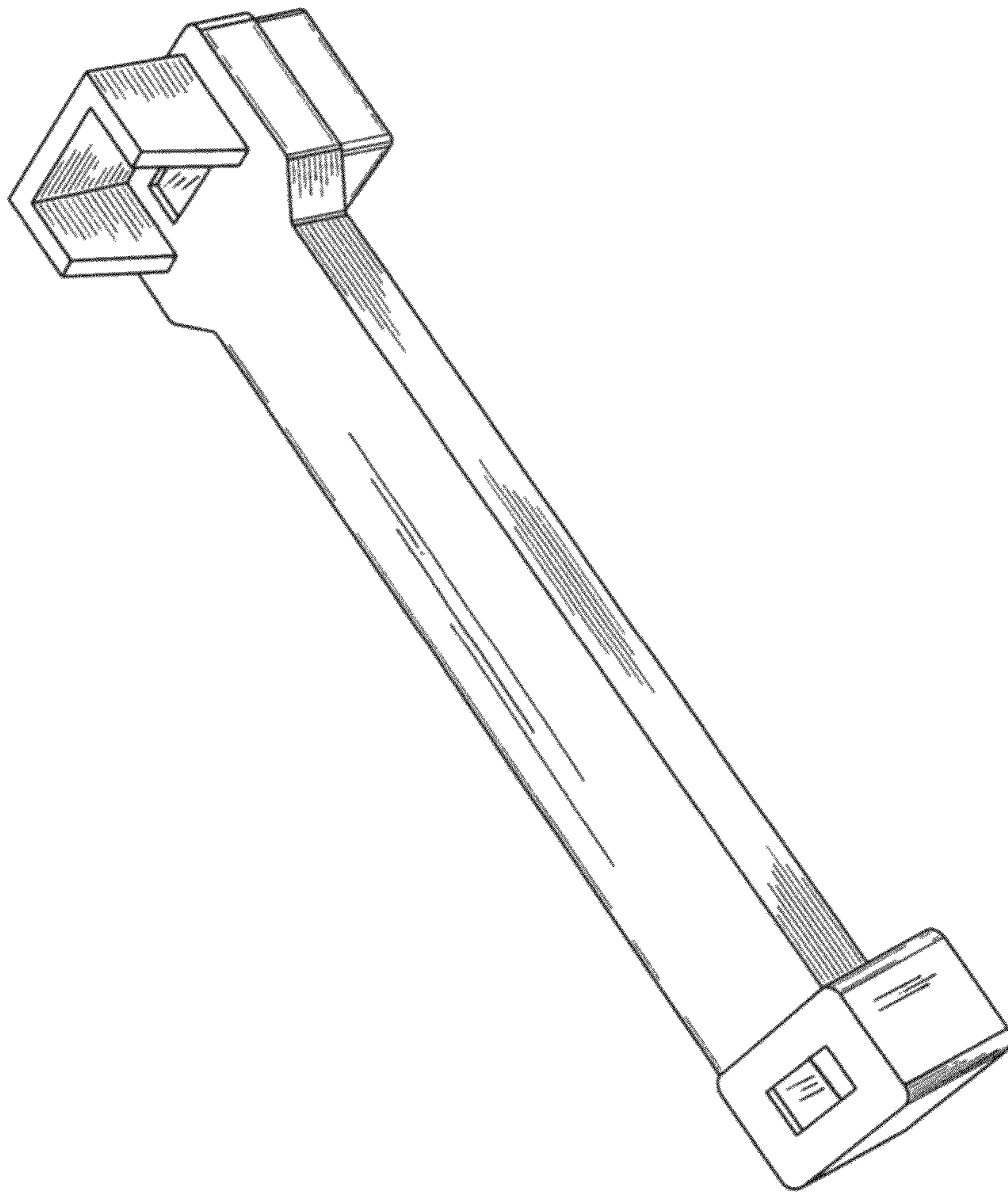


FIG. 1

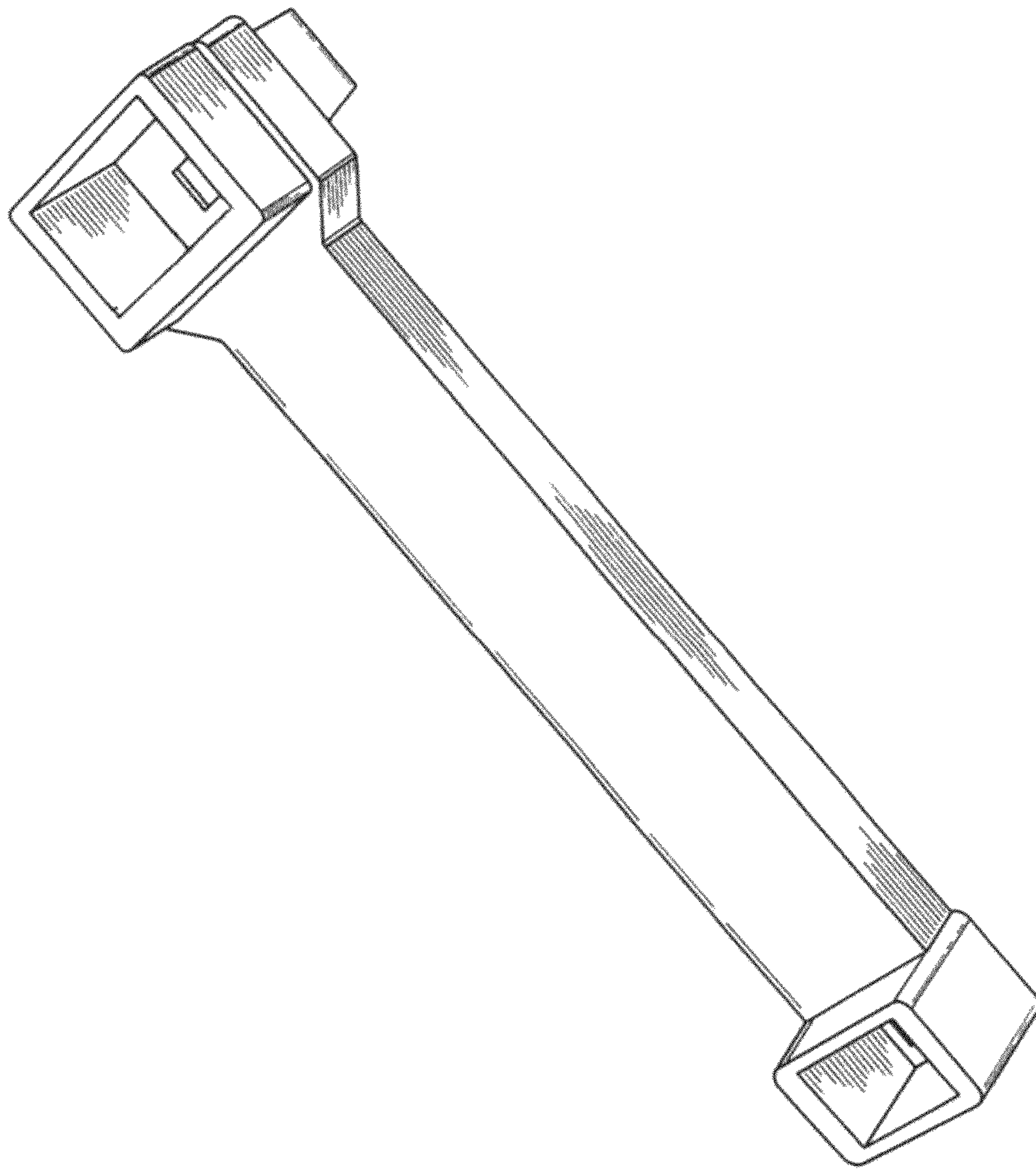
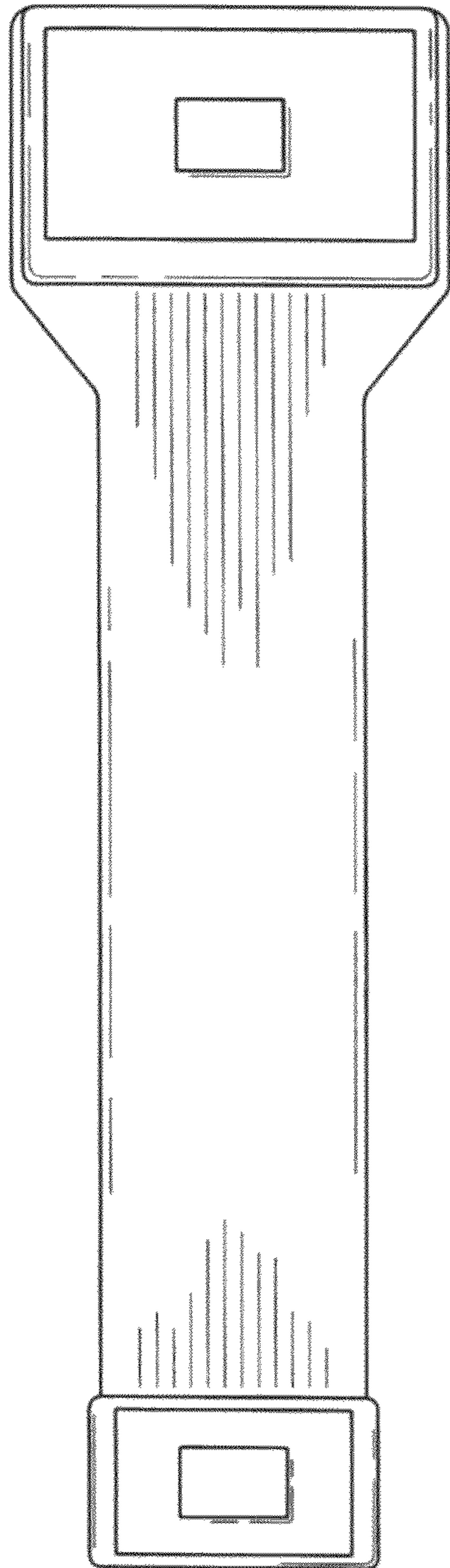
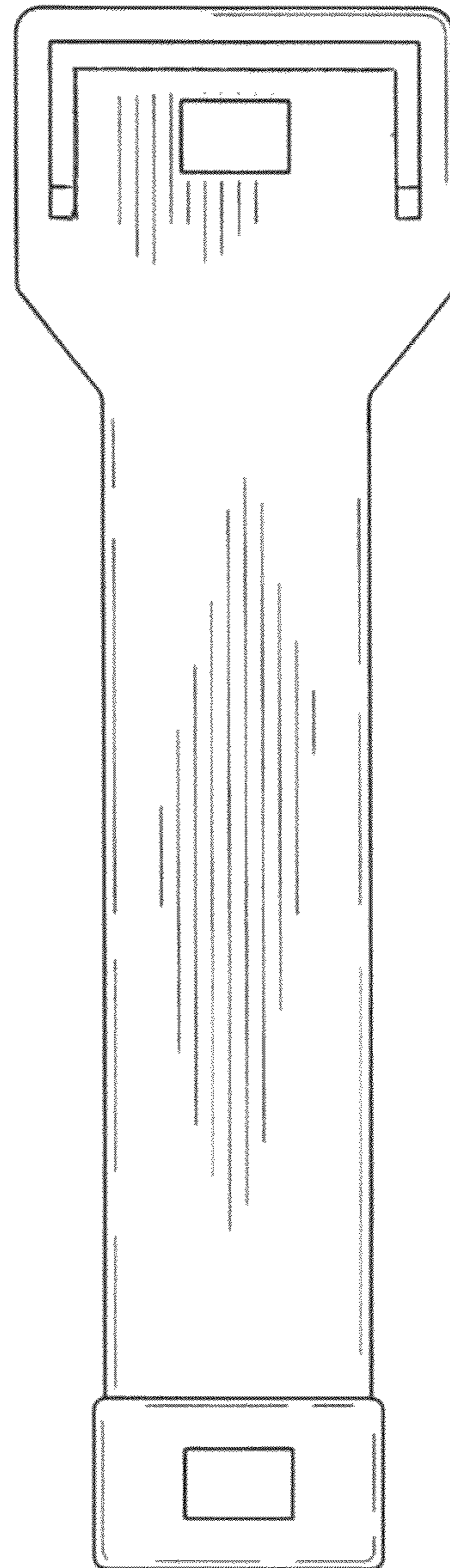


FIG. 2



**FIG. 3**



**FIG. 4**

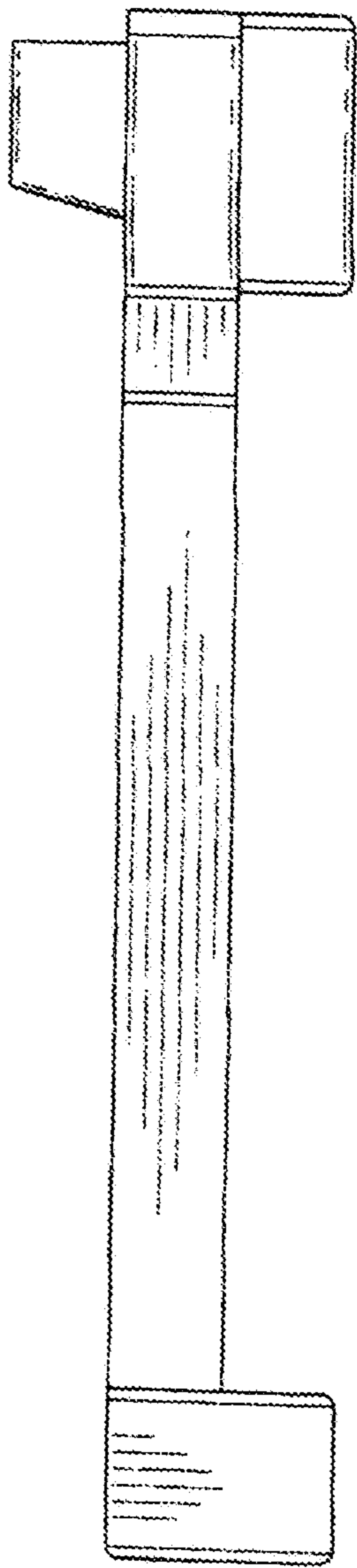


FIG. 5

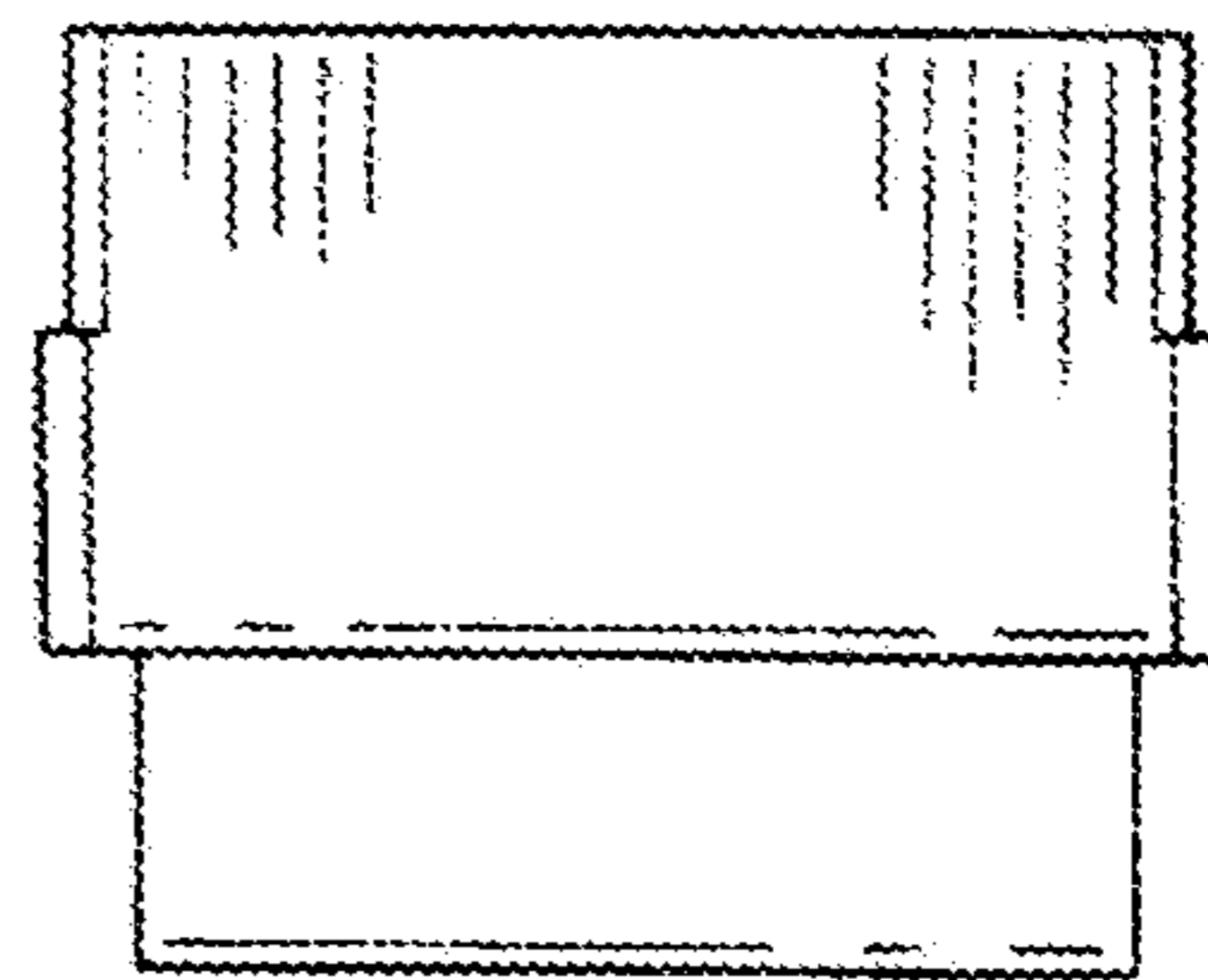


FIG. 6

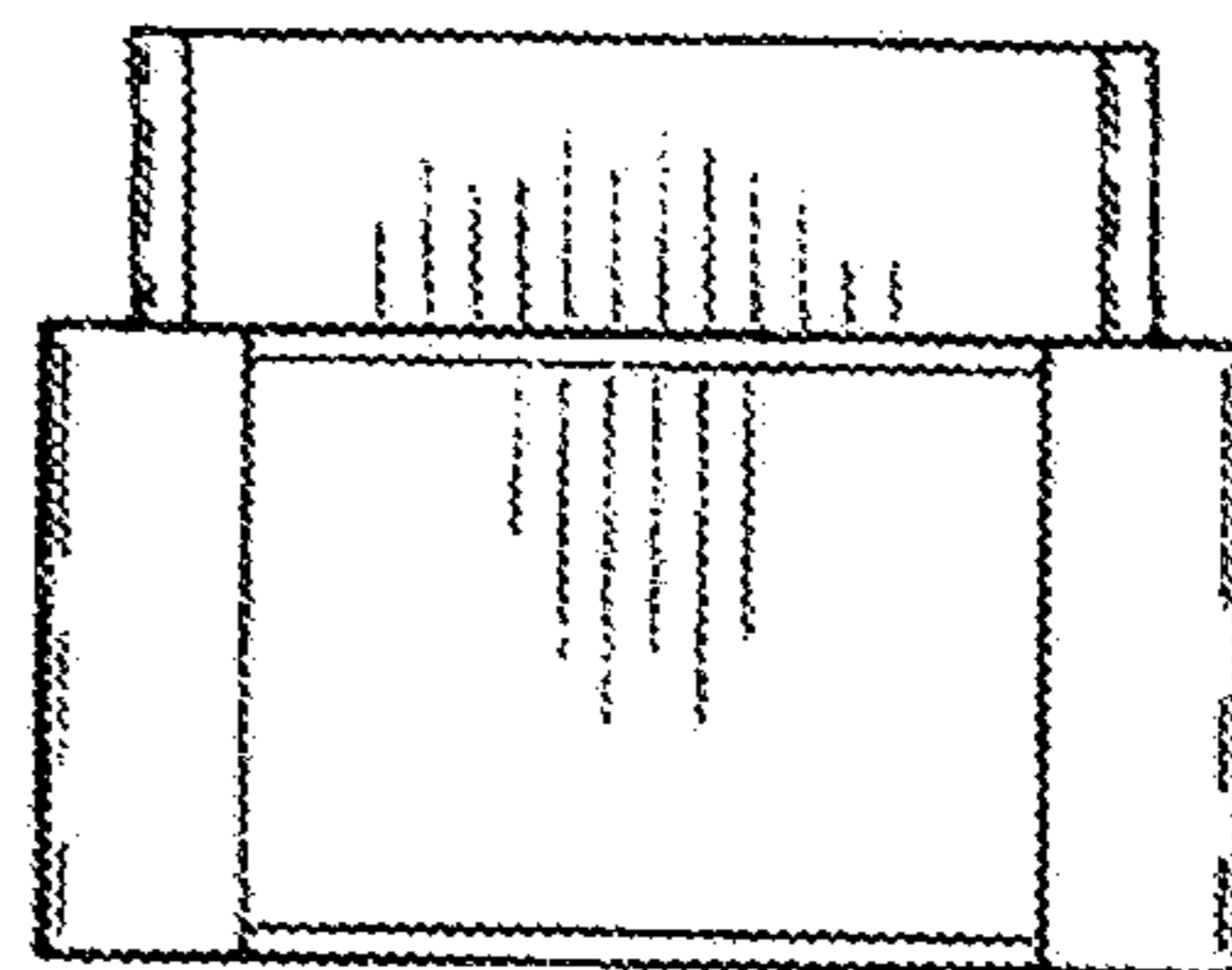


FIG. 7