

US00D693966S

(12) **United States Design Patent**
Hanson

(10) **Patent No.:** **US D693,966 S**

(45) **Date of Patent:** **** Nov. 19, 2013**

(54) **DECORATIVE MOUTH GUARD**

(76) Inventor: **Dylan T. Hanson**, McFarland, WI (US)

(**) Term: **14 Years**

(21) Appl. No.: **29/379,604**

(22) Filed: **Nov. 22, 2010**

(51) **LOC (9) Cl.** **29-02**

(52) **U.S. Cl.**
USPC **D29/108**

(58) **Field of Classification Search**
USPC D29/100, 108, 111, 122; D24/176, 181,
D24/110.5; 128/859, 860, 861, 862, 846,
128/857, 848; 602/902; 433/6, 18, 24,
433/168.1; 2/9, 424, 425

See application file for complete search history.

(56) **References Cited**

U.S. PATENT DOCUMENTS

2,521,039	A *	9/1950	Carpenter	128/861
D382,965	S *	8/1997	Wagner	D29/108
D523,994	S *	6/2006	Manzo	D29/108
D526,095	S *	8/2006	Manzo et al.	D29/108
D570,549	S *	6/2008	Essig	D29/108
D584,002	S *	12/2008	Essig	D29/108
D611,658	S *	3/2010	Manzo	D29/108
D616,152	S *	5/2010	Manzo	D29/108
D618,399	S *	6/2010	Manzo	D29/108
D634,480	S *	3/2011	Manzo et al.	D29/108
D644,791	S *	9/2011	Petrocelli	D29/108

D648,900	S *	11/2011	Manzo	D29/108
D650,133	S *	12/2011	Rascoe, III	D29/108
D652,575	S *	1/2012	Farrell	D29/108
D652,576	S *	1/2012	Farrell	D29/108
D657,916	S *	4/2012	Pelerin	D29/108
D658,813	S *	5/2012	Manzo	D29/108
D663,486	S *	7/2012	Turkbas et al.	D29/108
2003/0019497	A1 *	1/2003	Farrell	128/861
2004/0110111	A1 *	6/2004	Wasylucha	433/29
2010/0051038	A1 *	3/2010	Quigless	128/861

* cited by examiner

Primary Examiner — Elizabeth J Oswecki

(57) **CLAIM**

The ornamental design for a decorative mouth guard, as shown and described.

DESCRIPTION

FIG. 1 is a top perspective view of a decorative mouth guard showing my new design;

FIG. 2 is a top plan view thereof;

FIG. 3 is a front side view thereof;

FIG. 4 is a right side view thereof;

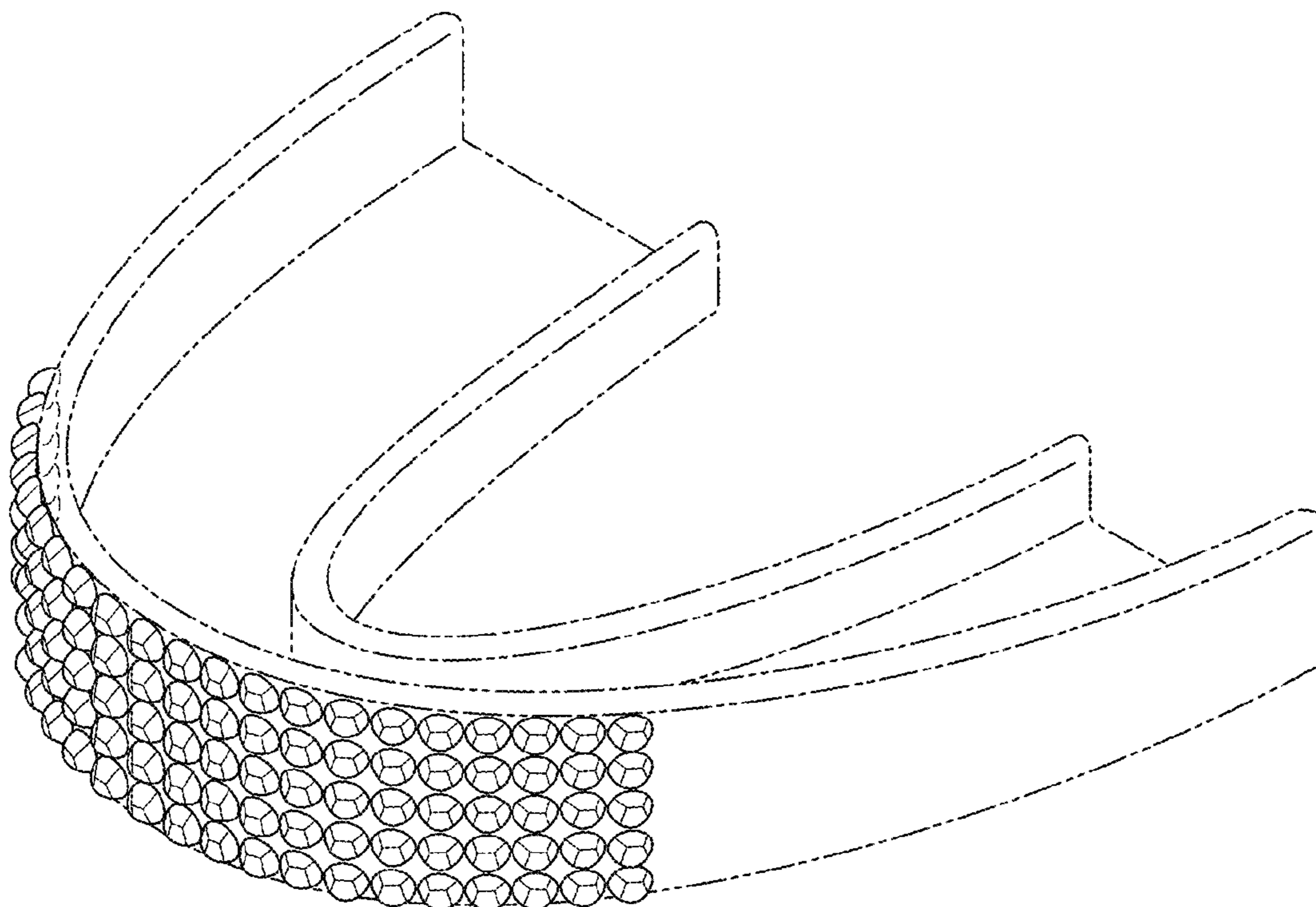
FIG. 5 is a left side view thereof;

FIG. 6 is a rear side view thereof; and,

FIG. 7 is a bottom plan view thereof.

The broken lines shown in the drawings represent portions of the decorative design that form no part of the claimed design.

1 Claim, 2 Drawing Sheets



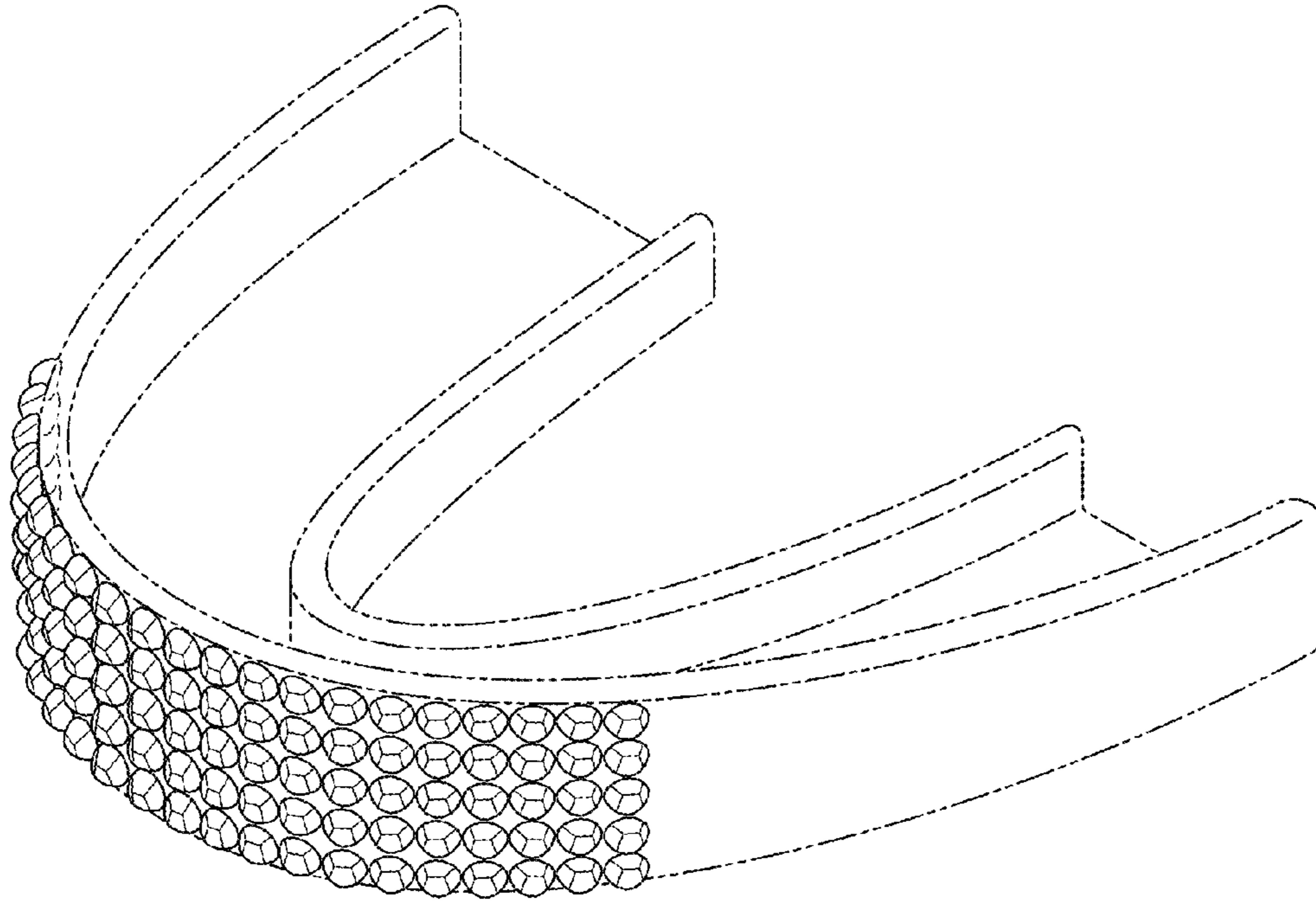


FIG. 1

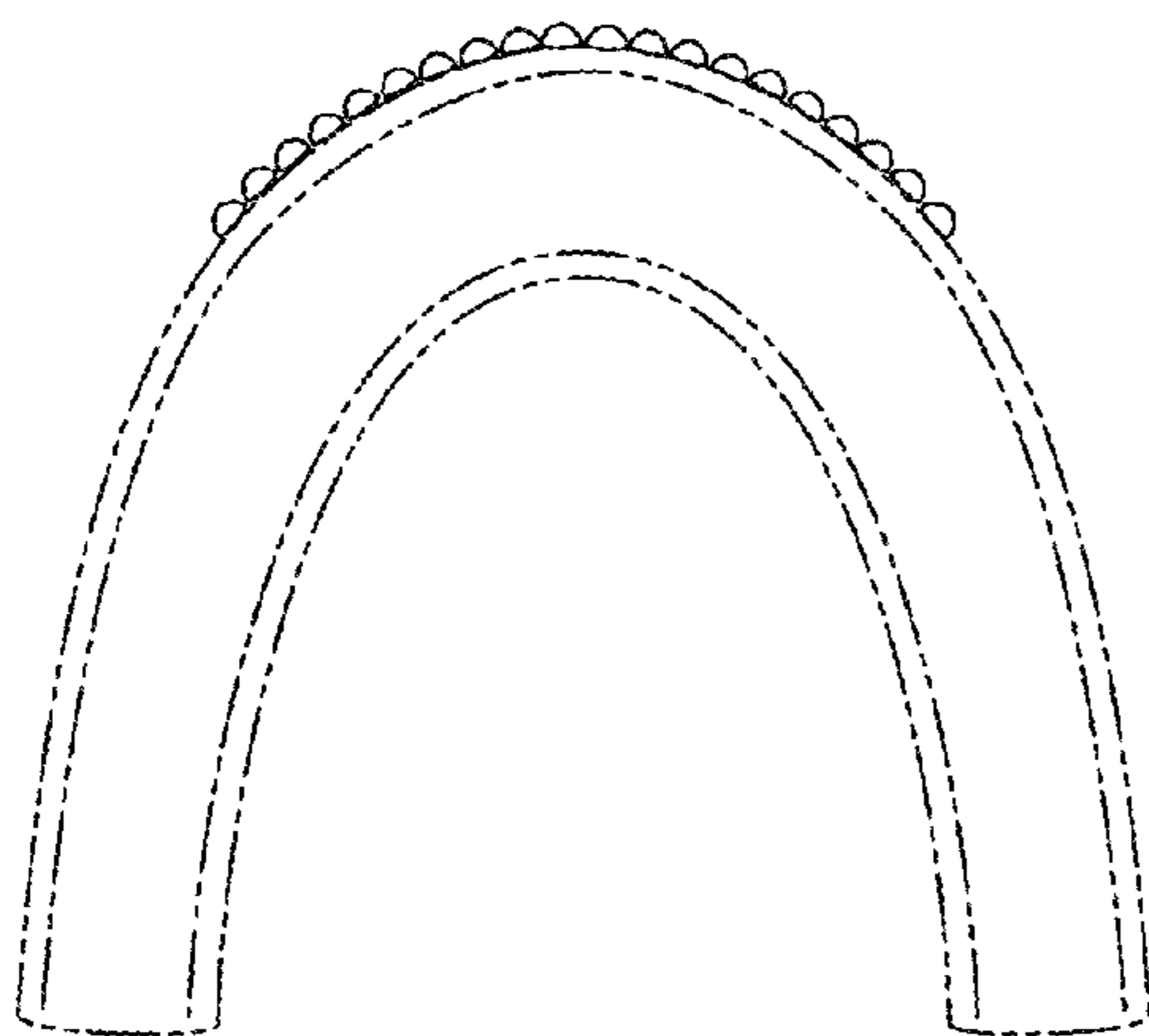


FIG. 2

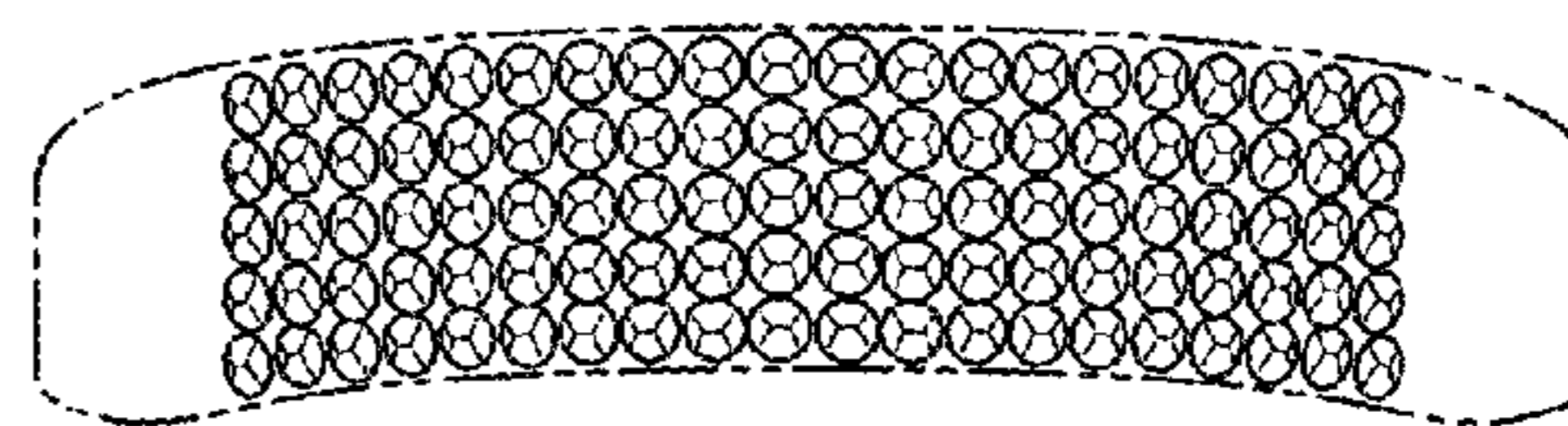


FIG. 3

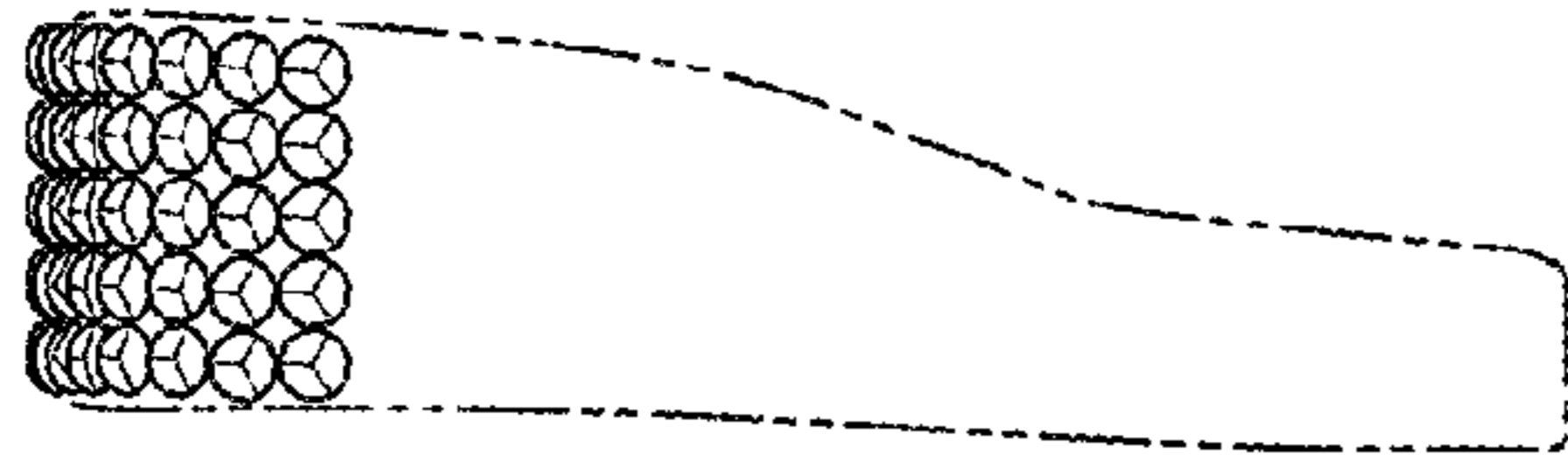


FIG. 4

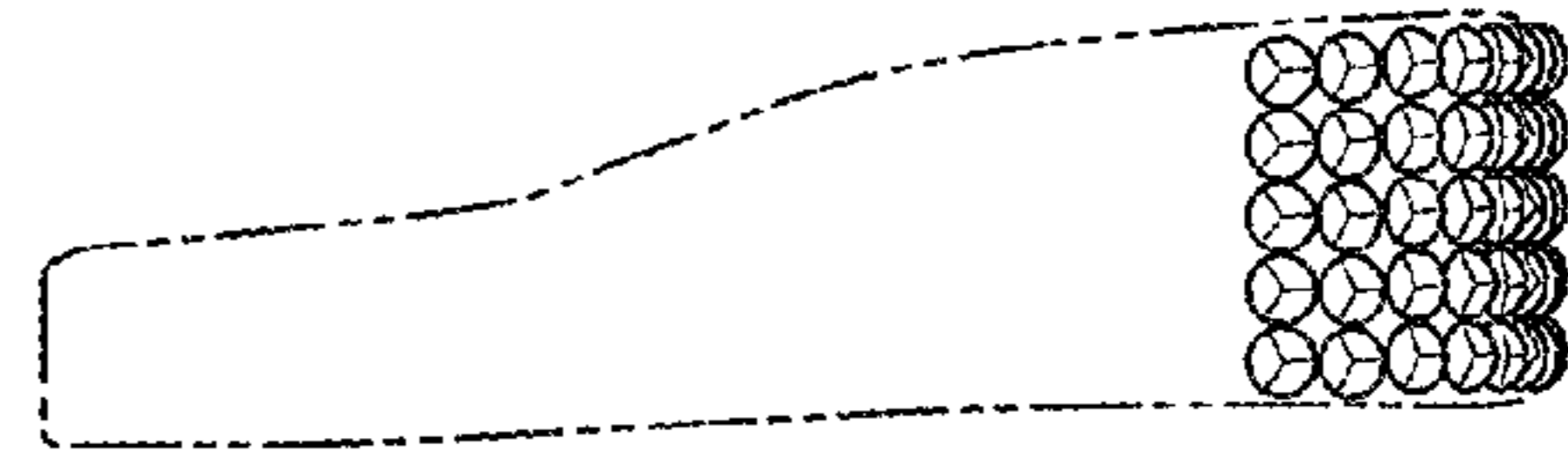


FIG. 5

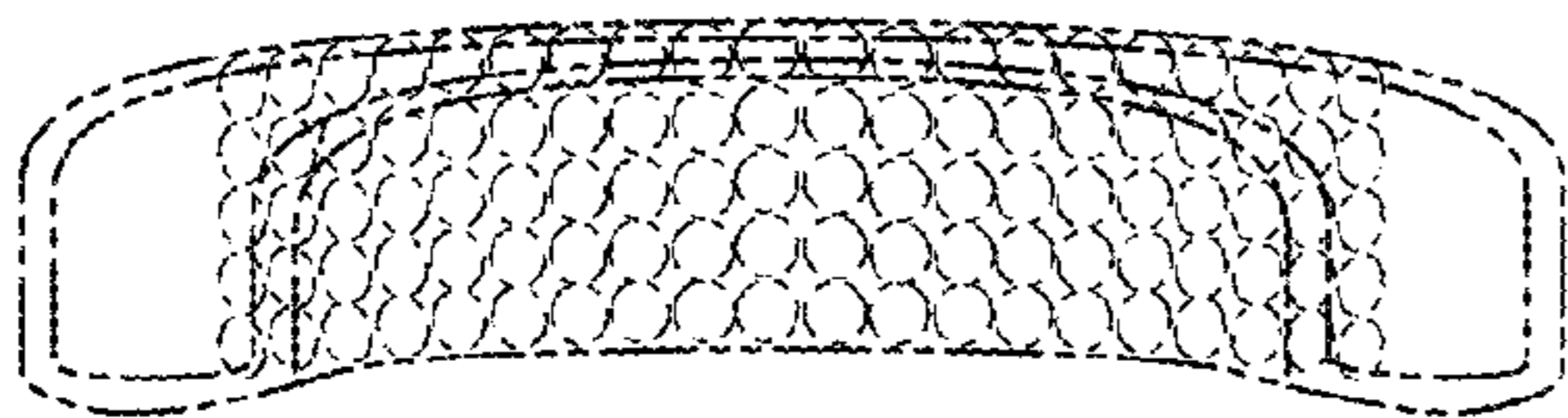


FIG. 6

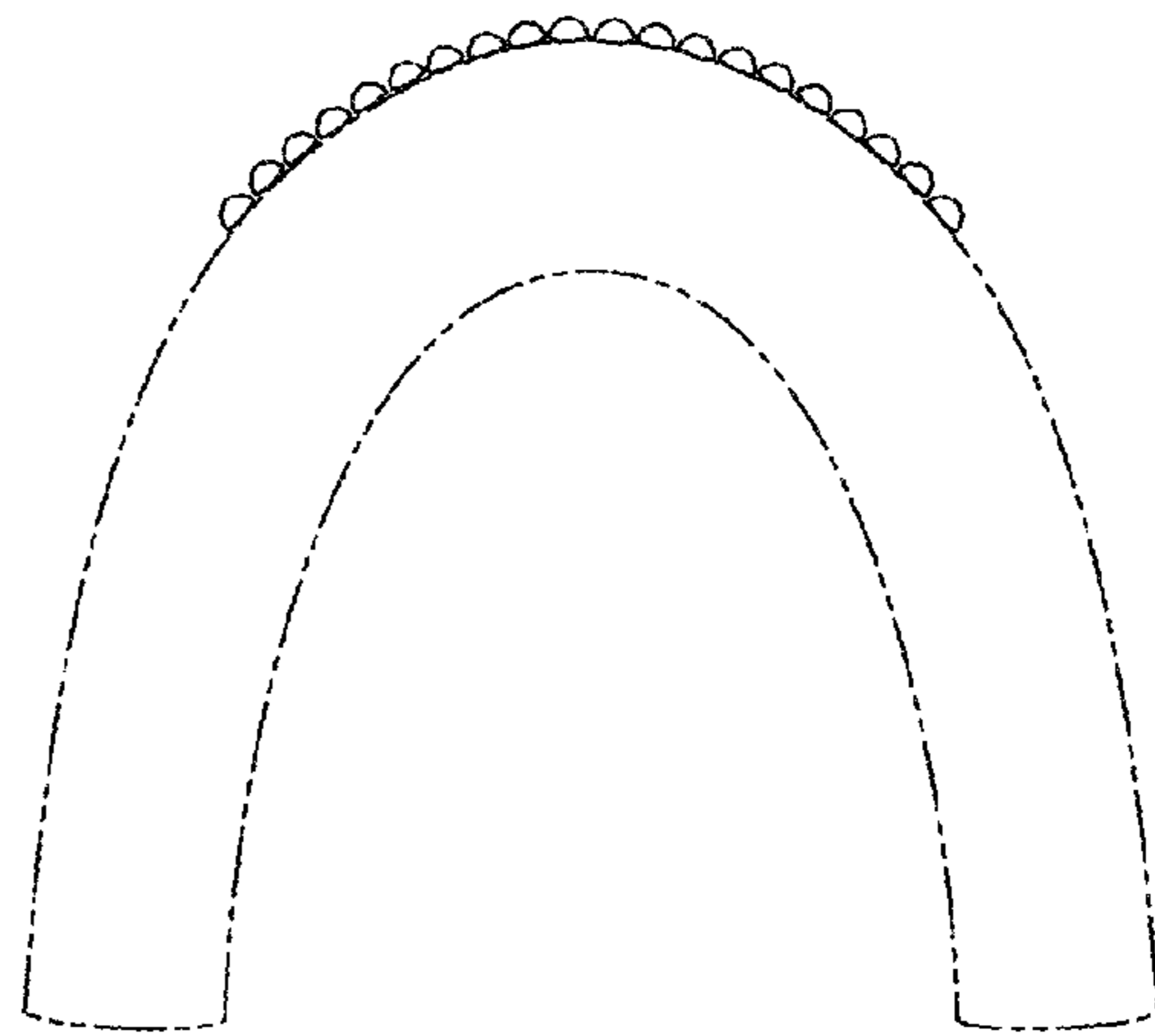


FIG. 7