



US00D693963S

(12) **United States Design Patent**
Akopyan

(10) **Patent No.:** **US D693,963 S**

(45) **Date of Patent:** **** Nov. 19, 2013**

(54) **CONTAINER AND SMOKING PIPE ASSEMBLY**

(71) Applicant: **Aik Akopyan**, Los Angeles, CA (US)

(72) Inventor: **Aik Akopyan**, Los Angeles, CA (US)

(**) Term: **14 Years**

(21) Appl. No.: **29/441,024**

(22) Filed: **Dec. 30, 2012**

(51) **LOC (9) Cl.** **27-02**

(52) **U.S. Cl.**
USPC **D27/163; D27/181**

(58) **Field of Classification Search**
USPC D27/163-169, 180-182; D3/207-212;
D8/347-348; D13/168; 206/37.1;
131/329, 330, 176, 178, 180, 184.2,
131/226

See application file for complete search history.

(56) **References Cited**

U.S. PATENT DOCUMENTS

D380,896 S *	7/1997	Grant	D3/208
D424,236 S *	5/2000	Reed	D27/186
D441,185 S *	5/2001	Shimizu et al.	D3/207
D441,524 S *	5/2001	Shimizu et al.	D3/207
D476,805 S *	7/2003	Kan	D3/209
D478,720 S *	8/2003	Lo	D3/209
D500,015 S *	12/2004	Gubbe	D13/168
D522,234 S *	6/2006	Murphy	D3/209
D554,361 S *	11/2007	Bates et al.	D3/207
D559,530 S *	1/2008	Bates et al.	D3/207
D560,066 S *	1/2008	Yuengling	D3/208
D560,352 S *	1/2008	Cadiz et al.	D3/208
D577,022 S *	9/2008	Anglin	D14/383
D577,023 S *	9/2008	Anglin	D14/383
D577,150 S *	9/2008	Bryman et al.	D27/163
D604,039 S *	11/2009	Fleming	D3/207
D604,041 S *	11/2009	Fleming	D3/207

D634,891 S *	3/2011	Han	D27/163
D647,247 S *	10/2011	Jones	D27/163
D658,795 S *	5/2012	Szymanski	D26/39
D680,732 S *	4/2013	Nagy	D3/207

* cited by examiner

Primary Examiner — Susan Bennett Hattan

Assistant Examiner — Janice Hallmark

(74) *Attorney, Agent, or Firm* — Thomas I. Rozsa

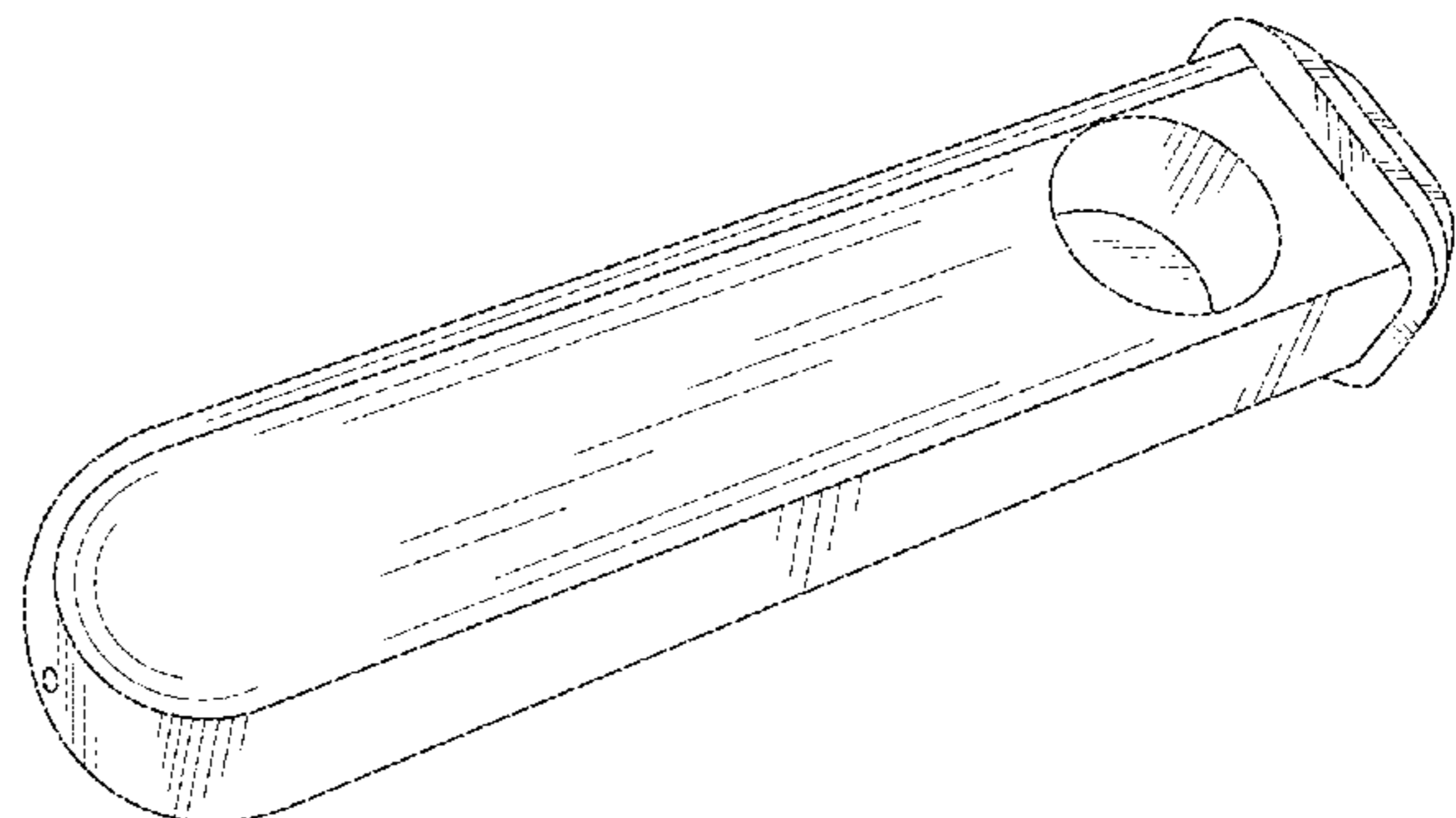
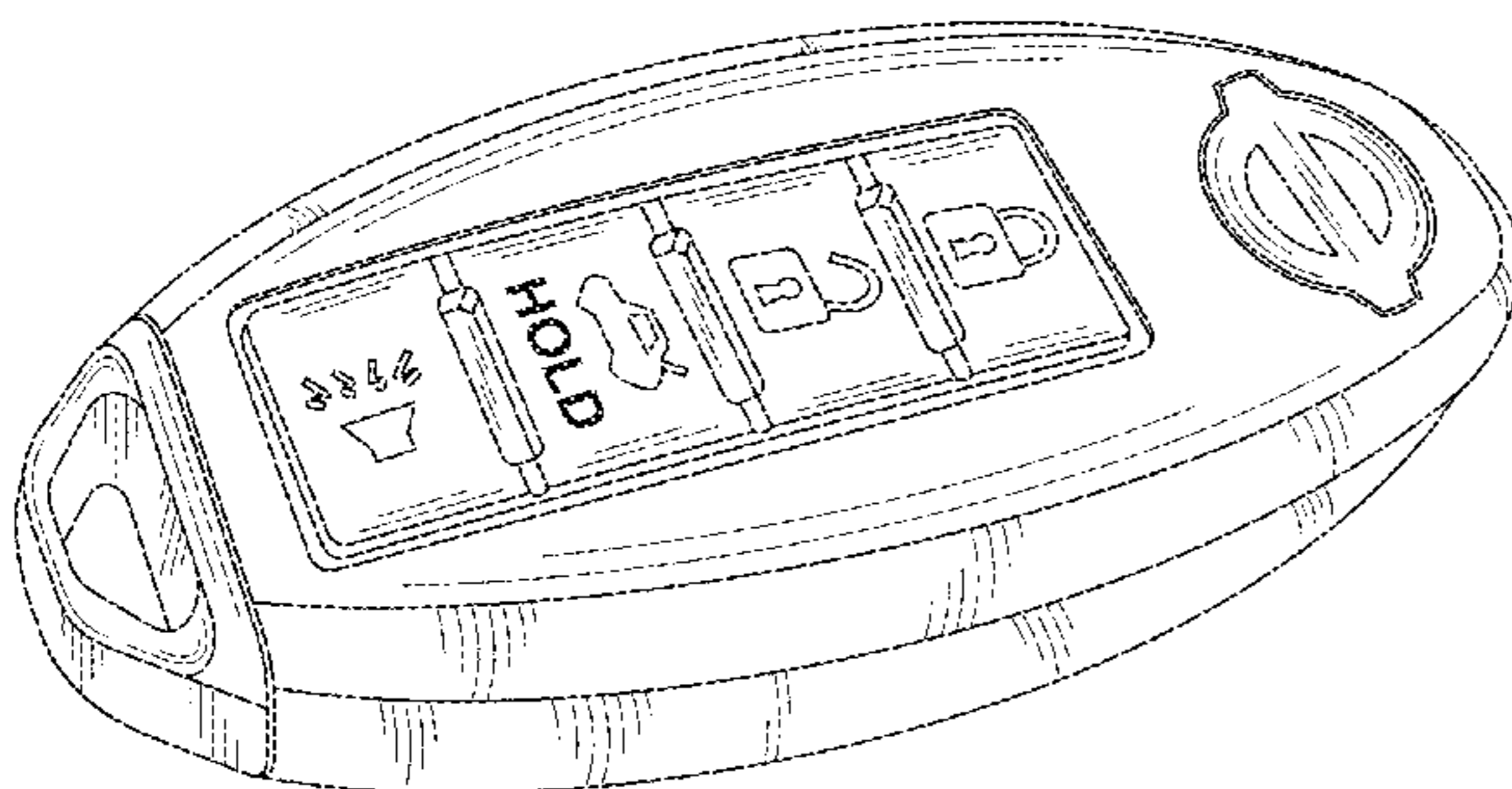
(57) **CLAIM**

The ornamental design for a container and smoking pipe assembly, as shown and described.

DESCRIPTION

FIG. 1 is a front perspective view of the container and smoking pipe assembly, showing my new design;
 FIG. 2 is a rear perspective view thereof;
 FIG. 3 is top plan view thereof;
 FIG. 4 is a bottom plan view thereof;
 FIG. 5 is a side elevational view when viewed from the right side thereof;
 FIG. 6 is a right side elevational view thereof with the casing rotated 180 degrees;
 FIG. 7 is a bottom plan view thereof;
 FIG. 8 is a top plan view thereof;
 FIG. 9 is a front perspective view of the smoking pipe removed from its container;
 FIG. 10 is a rear perspective view of the smoking pipe;
 FIG. 11 is a top elevational view of the smoking pipe;
 FIG. 12 is a bottom elevational view of the smoking pipe;
 FIG. 13 is a side elevational view of the smoking pipe when viewed from the right side;
 FIG. 14 is a side elevational view of the smoking pipe when viewed from the left side and rotated 108 degrees from the view in FIG. 13;
 FIG. 15 is a bottom plan view of the smoking pipe; and,
 FIG. 16 is a top plan view of the smoking pipe.

1 Claim, 12 Drawing Sheets



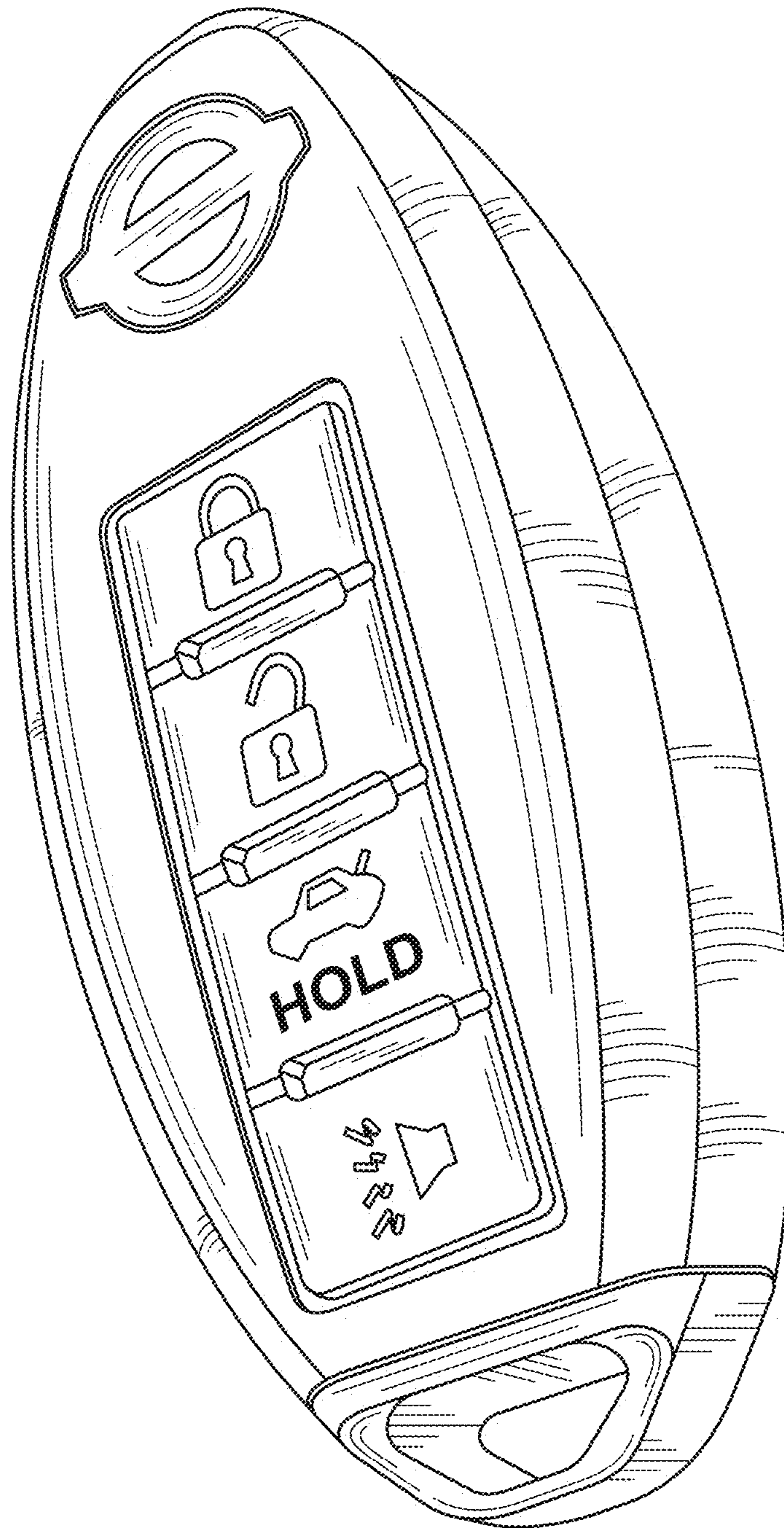


FIG. 1

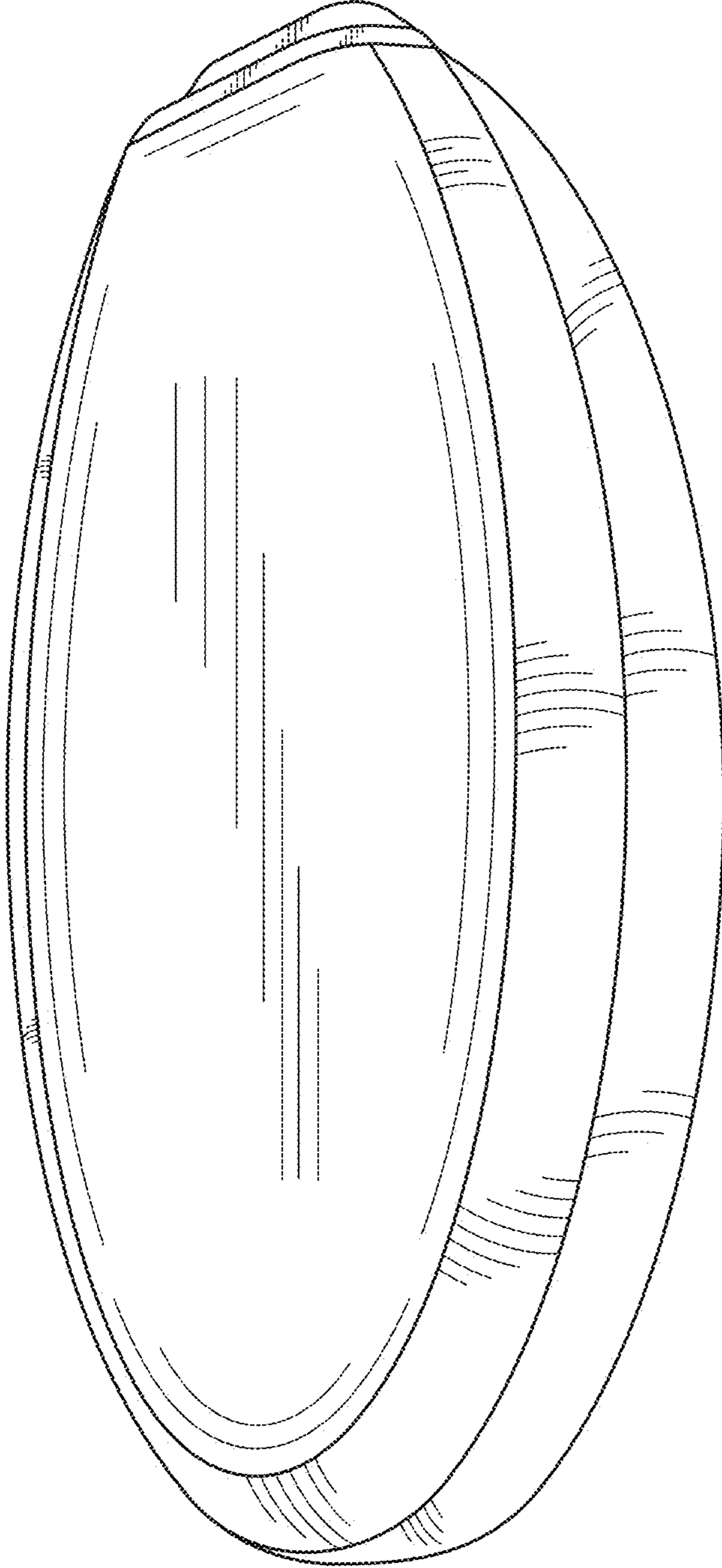


FIG. 2

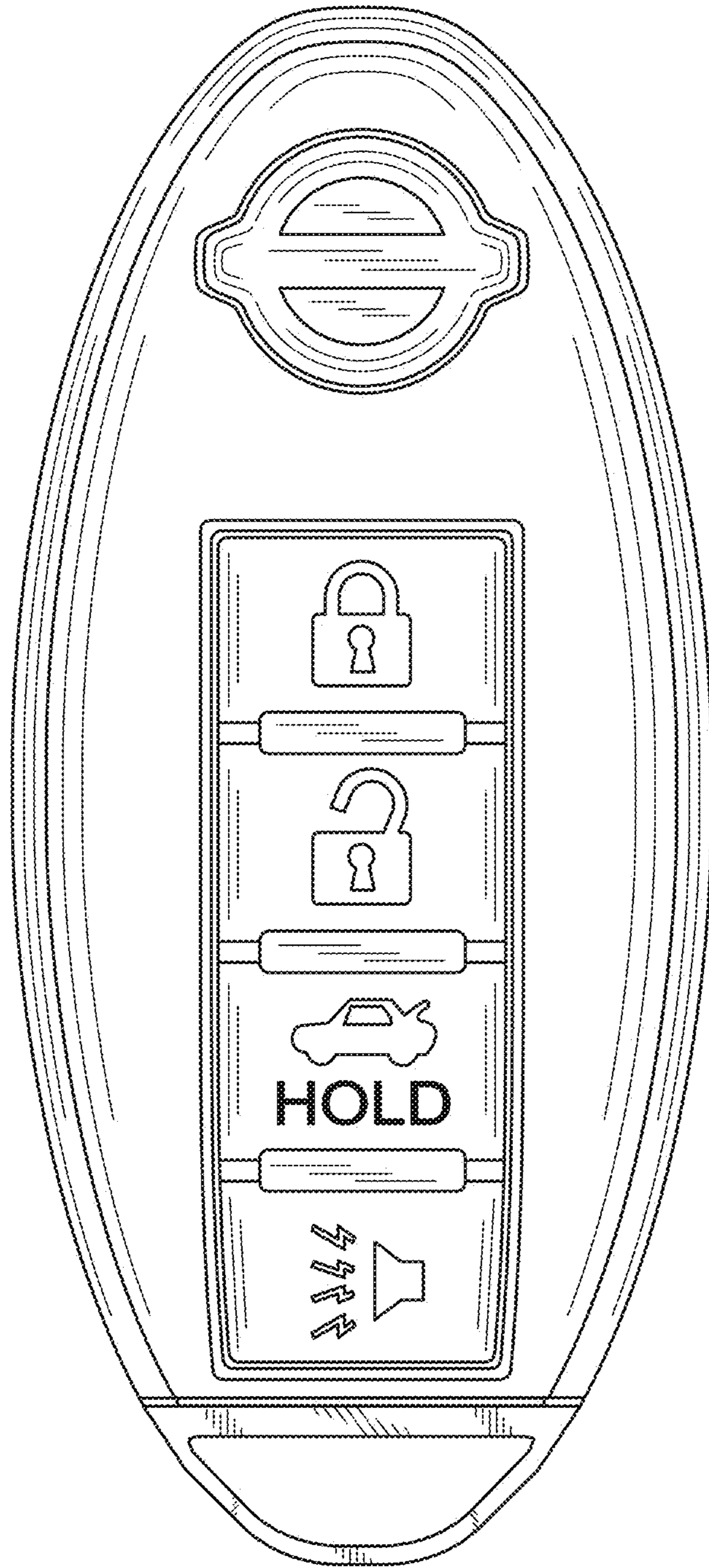


FIG. 3

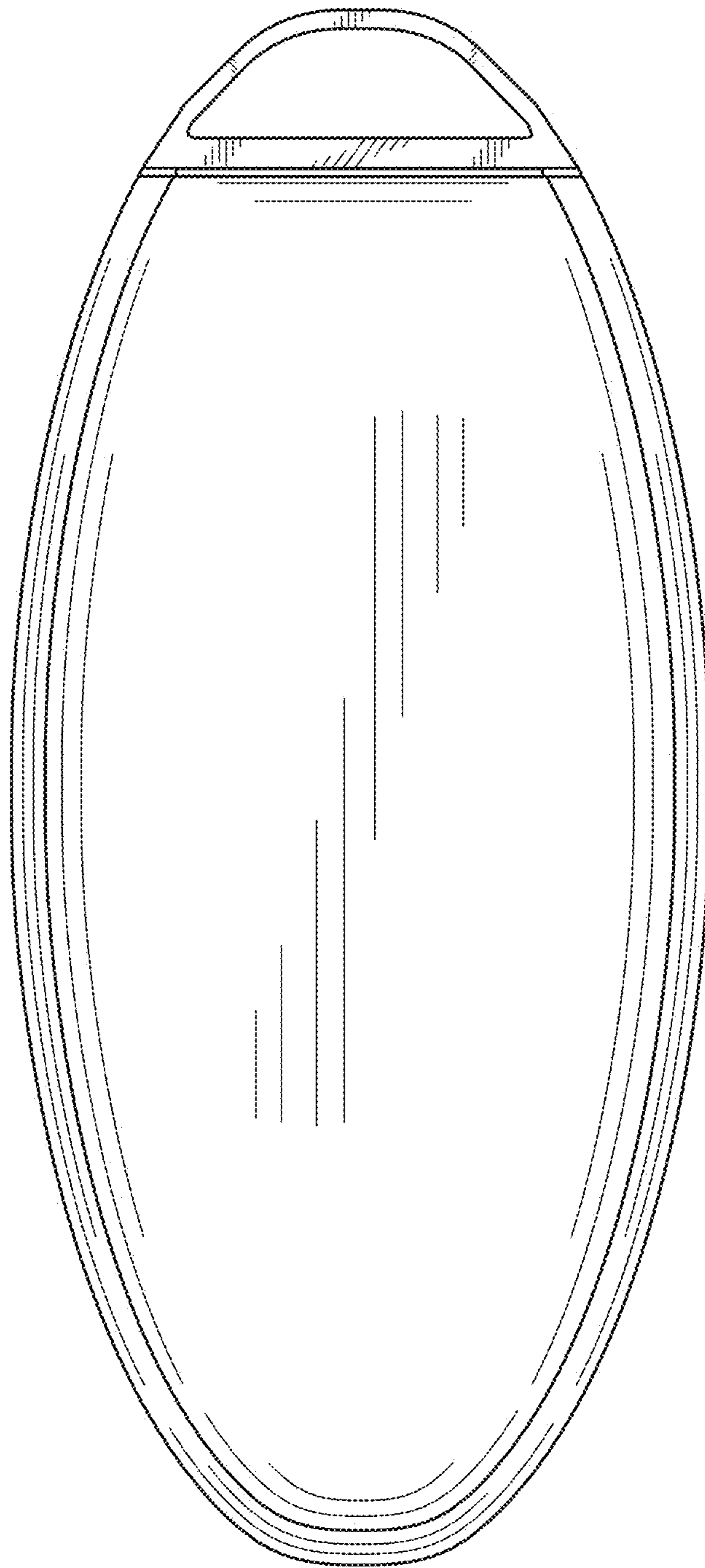


FIG. 4

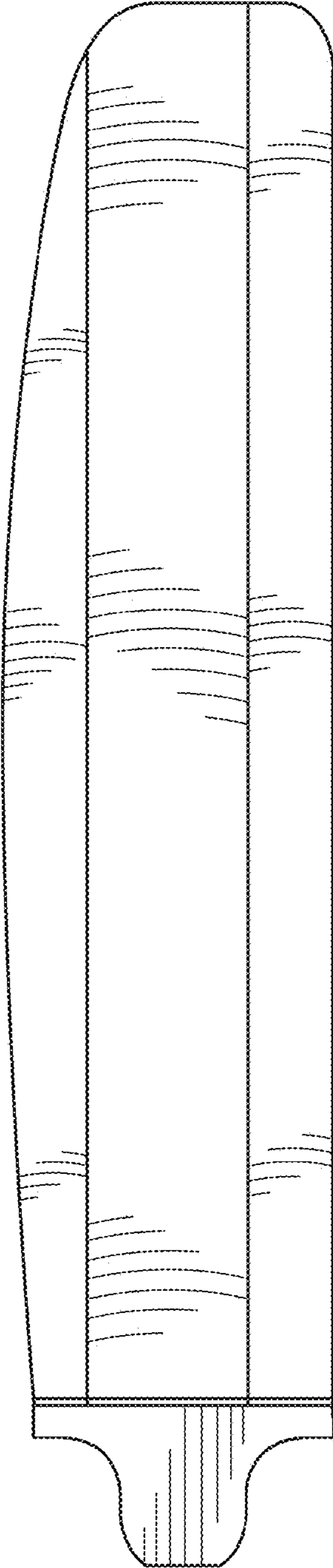


FIG. 5

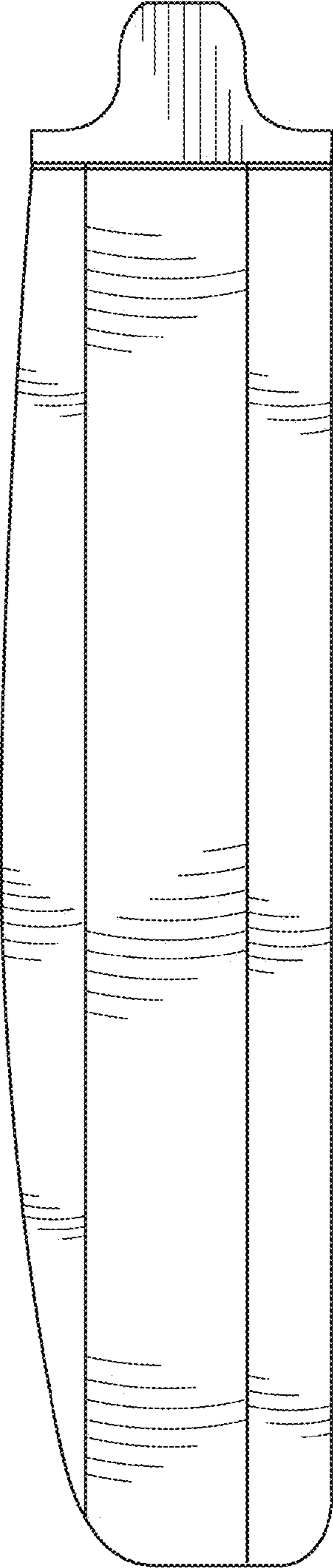


FIG. 6

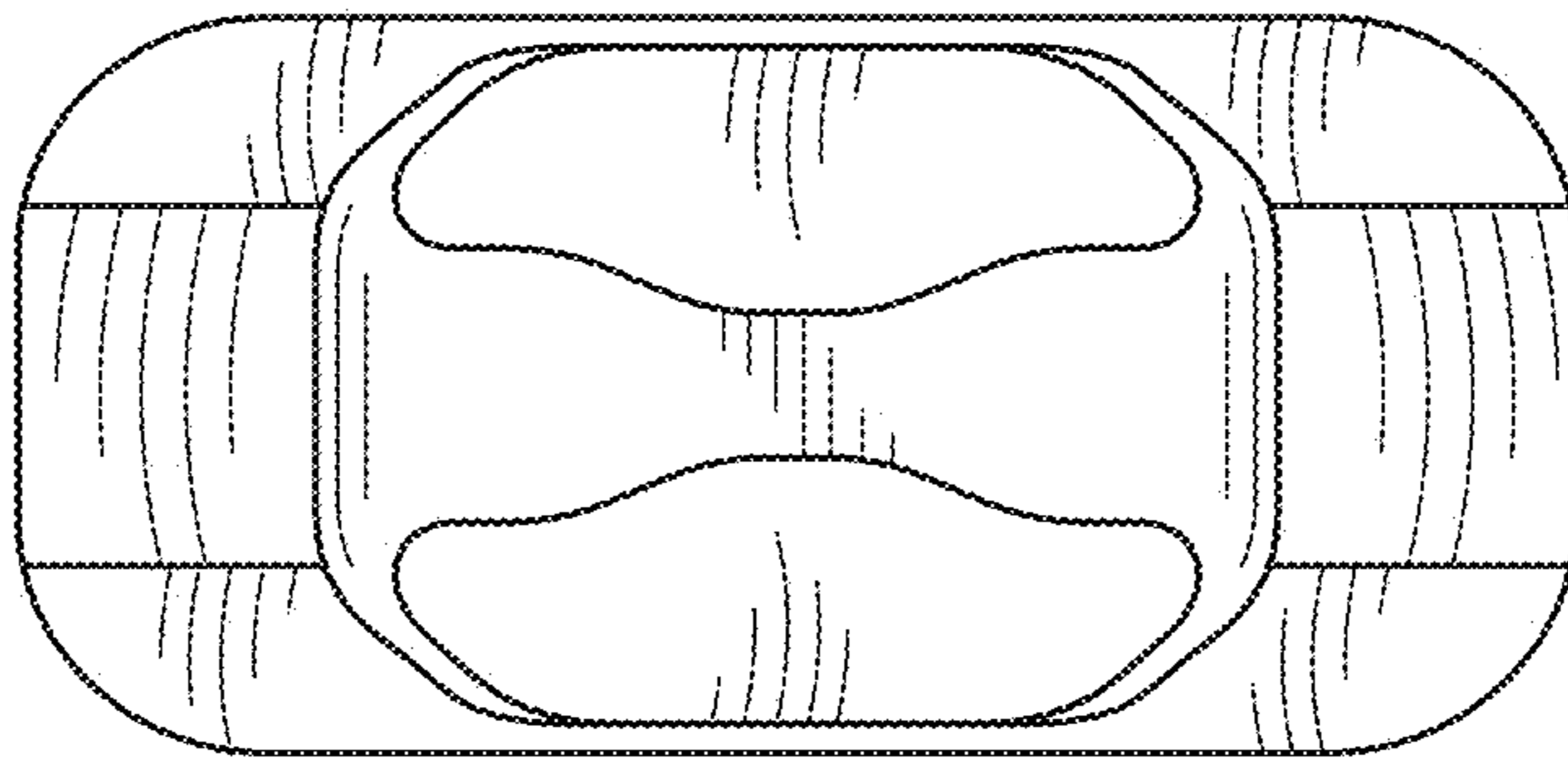


FIG. 7

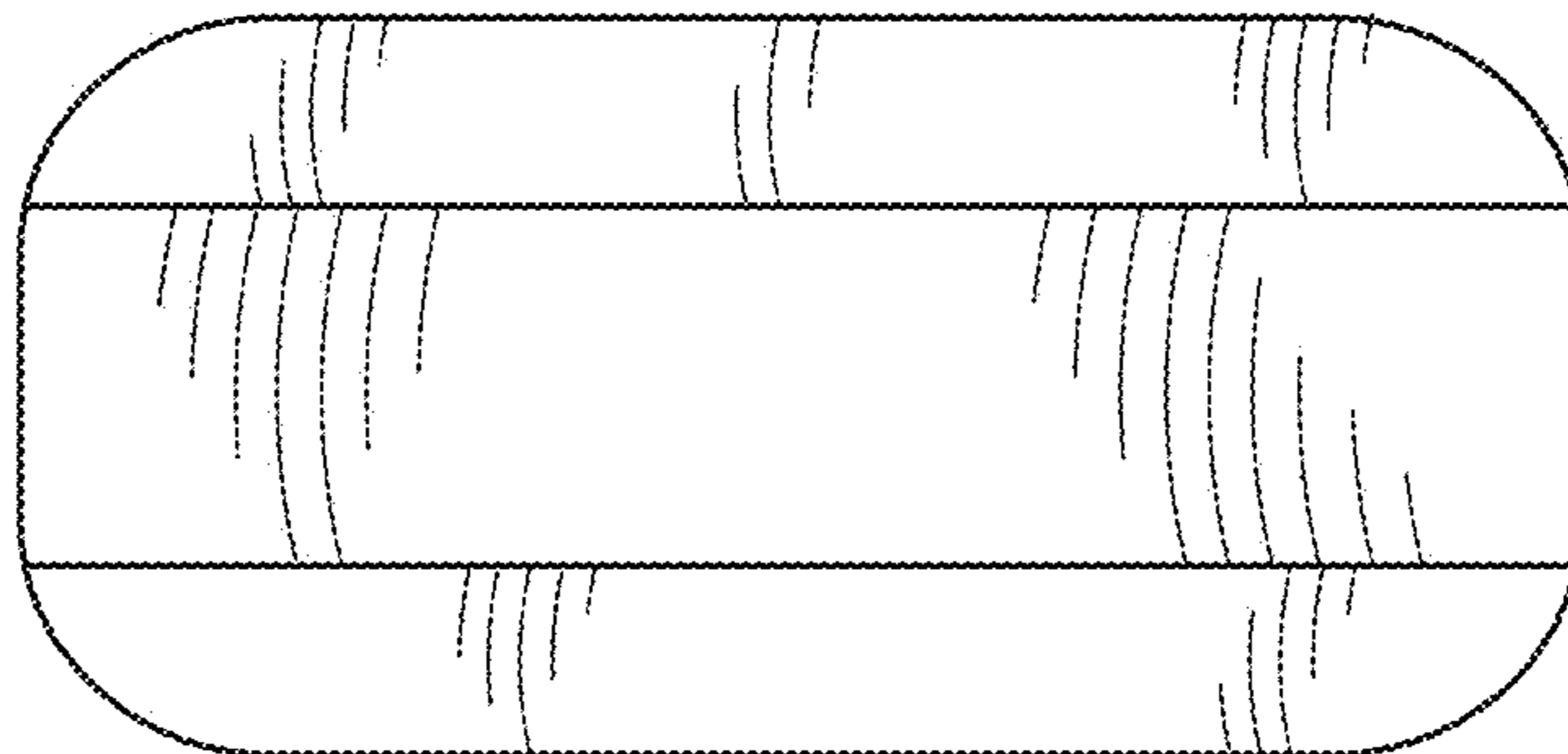


FIG. 8

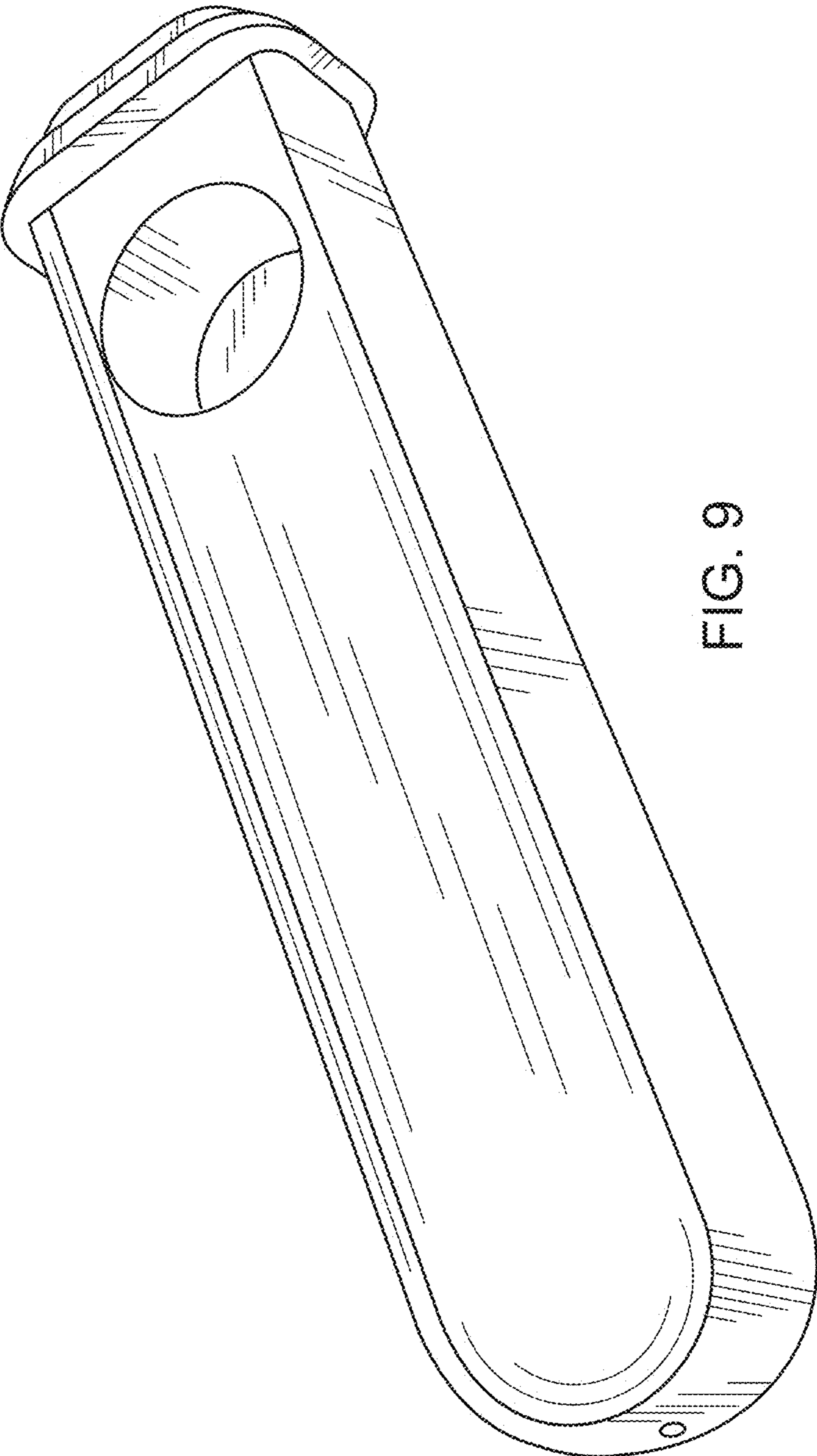


FIG. 9

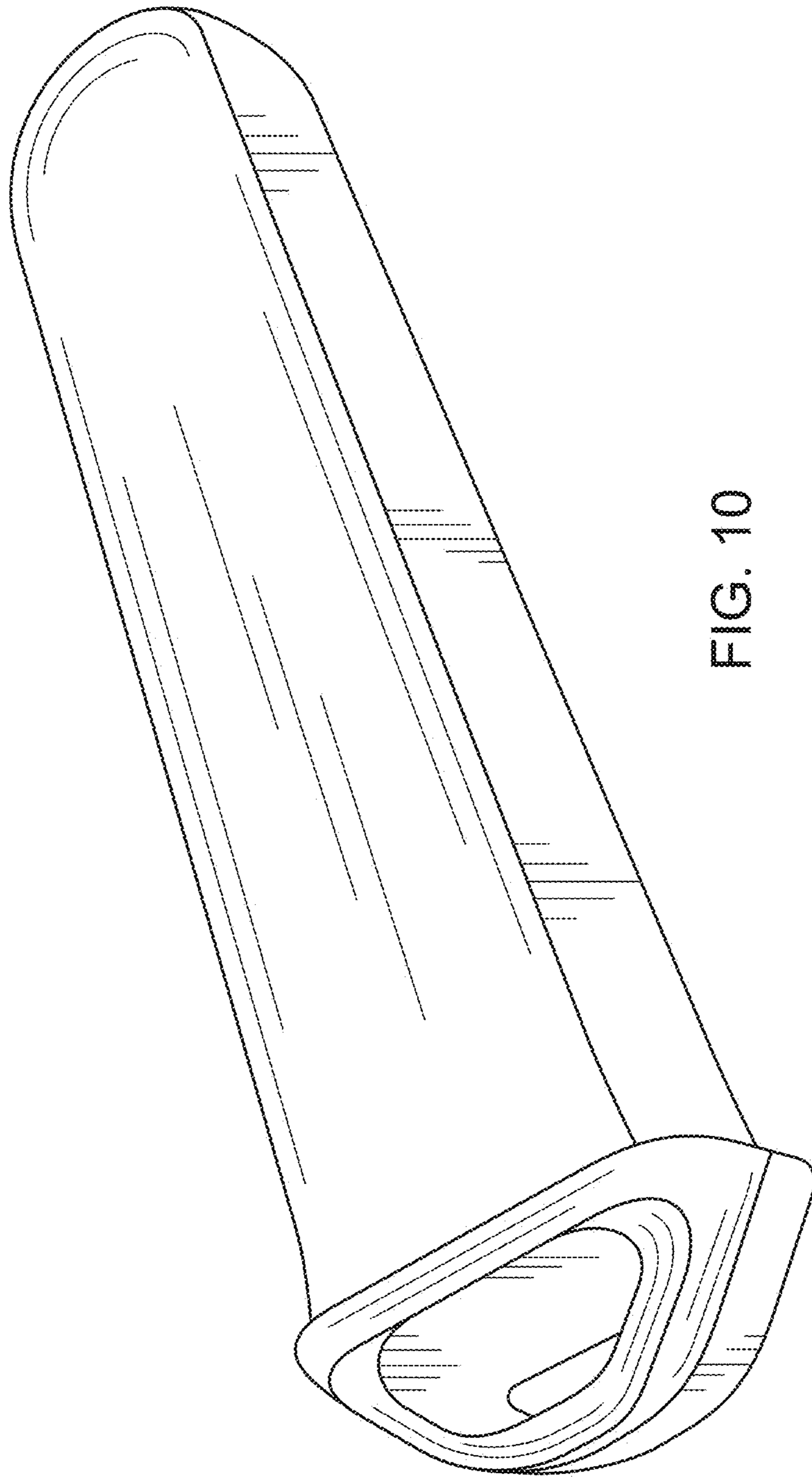


FIG. 10

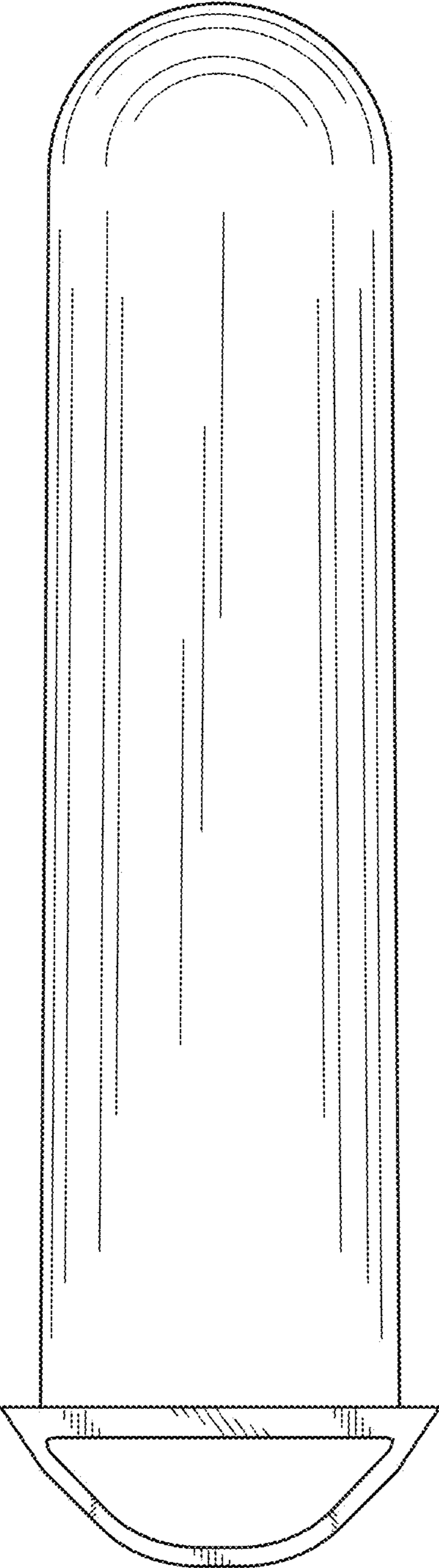


FIG. 12

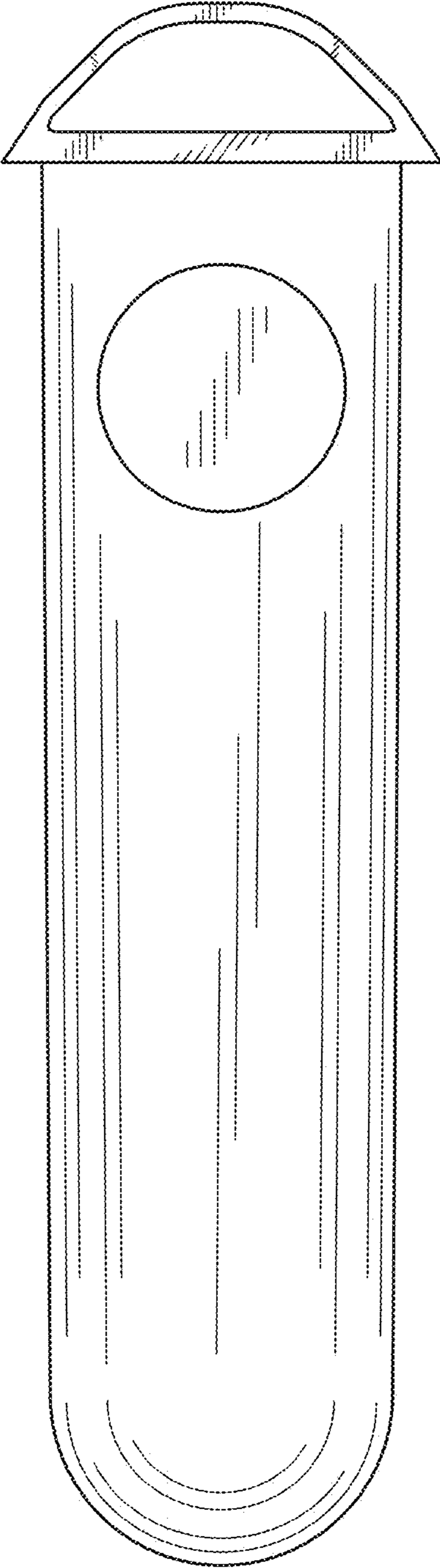
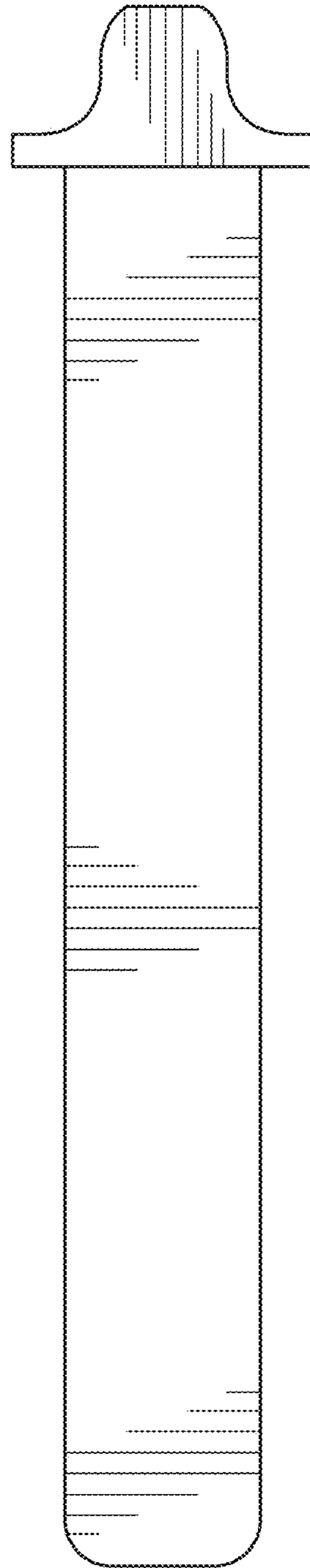
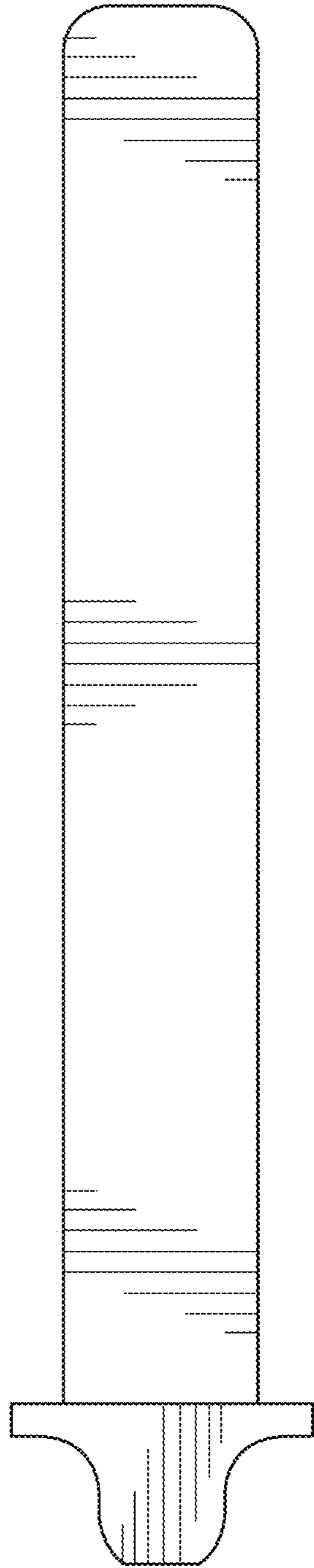


FIG. 11



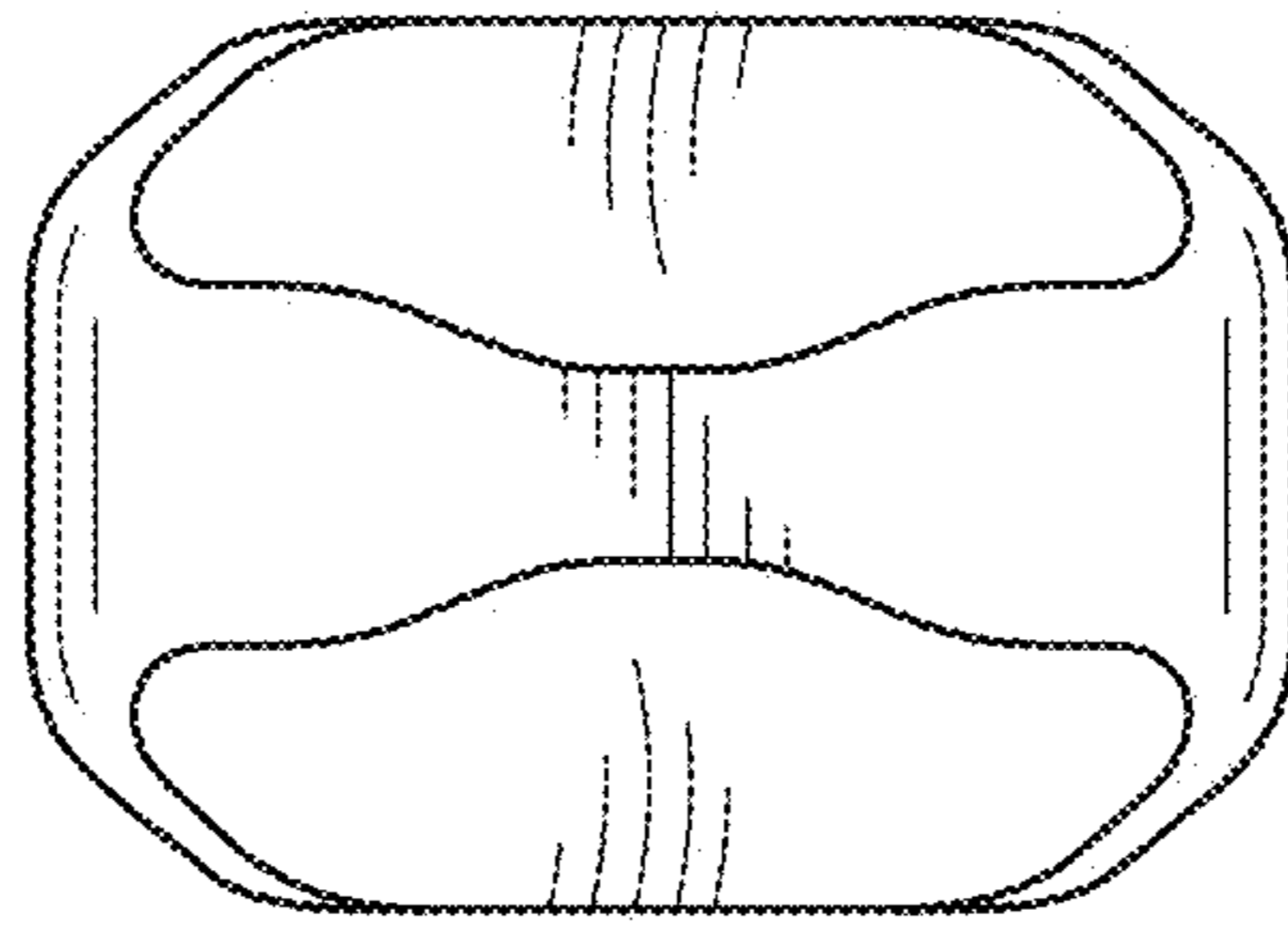


FIG. 15

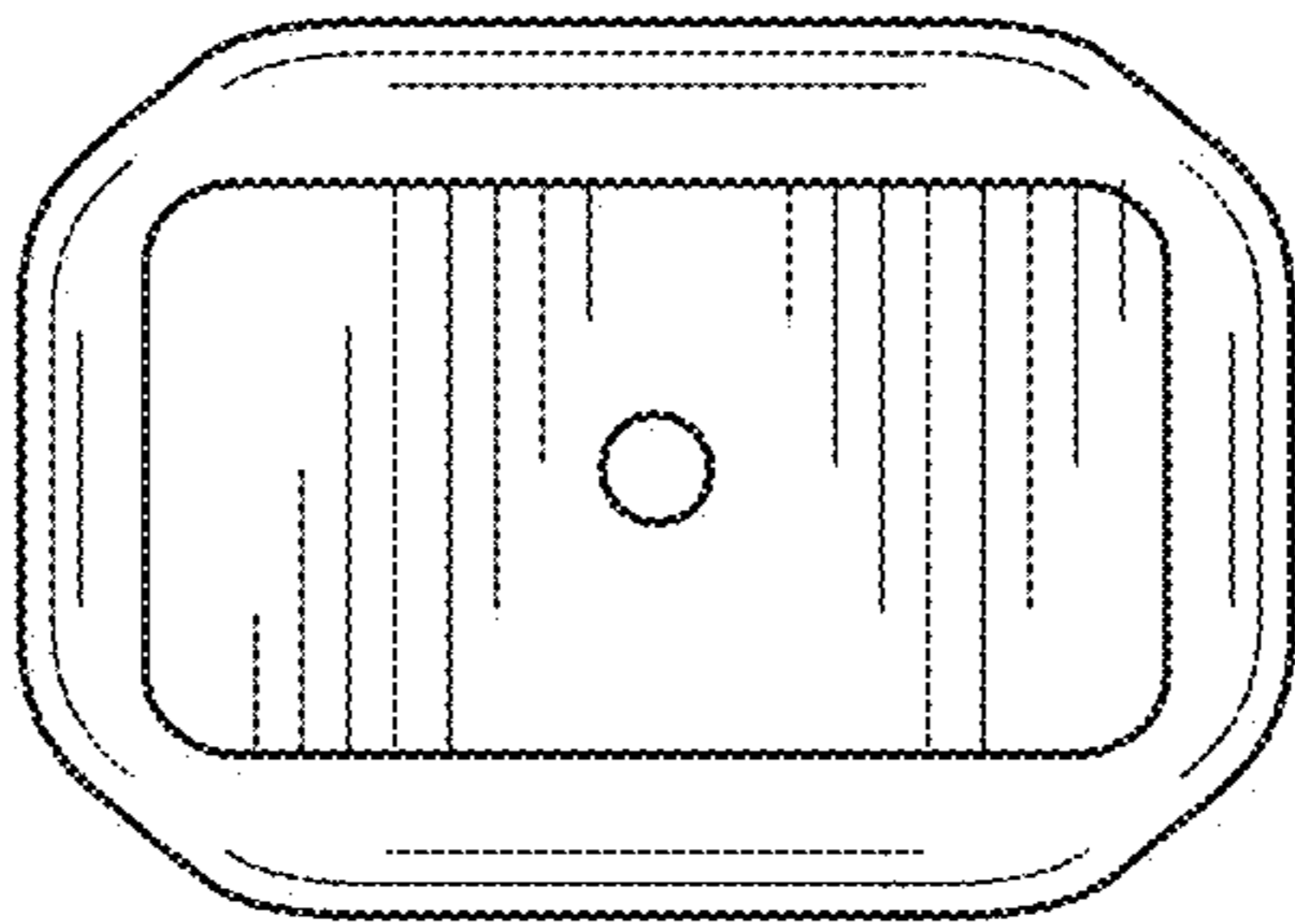


FIG. 16