



US00D693958S

(12) **United States Design Patent**
Holley et al.

(10) **Patent No.:** **US D693,958 S**

(45) **Date of Patent:** **** Nov. 19, 2013**

- (54) **LENS HOLDER REFLECTOR**
- (71) Applicants: **Brandon Holley**, Brookline, MA (US);
Yi Yang, Peabody, MA (US); **Douglas Harriott**, Melrose, MA (US)
- (72) Inventors: **Brandon Holley**, Brookline, MA (US);
Yi Yang, Peabody, MA (US); **Douglas Harriott**, Melrose, MA (US)
- (73) Assignee: **OSRAM SYLVANIA Inc.**, Danvers, MA (US)
- (**) Term: **14 Years**
- (21) Appl. No.: **29/438,696**
- (22) Filed: **Nov. 30, 2012**
- (51) **LOC (9) Cl.** **26-99**
- (52) **U.S. Cl.**
USPC **D26/118**
- (58) **Field of Classification Search**
USPC D26/152, 113, 118, 119, 154, 61, 62,
D26/65, 75, 16, 1, 2, 3, 120, 138, 128, 155,
D26/76, 121, 124, 125, 123, 141, 142, 66,
D26/68, 86, 71, 72, 78, 151, 145, 74, 85, 89,
D26/82, 84, 92, 87, 136, 63, 59, 58, 28, 88,
D26/11, 9, 22, 81, 127, 129, 130, 131, 133,
D26/134, 135, 55, 77; D13/179, 180;
362/219, 223, 225, 347, 346, 373, 326,
362/283, 249.02, 362, 374, 375, 408, 327,
362/328, 404, 297, 147, 149, 249.03,
362/249.11; D23/377, 411, 413; D11/89,
D11/90
See application file for complete search history.

1,560,408	A	*	11/1925	Charlebois	362/343
D74,527	S	*	2/1928	Von Nessen	D26/72
2,175,918	A	*	10/1939	Sauer	248/289.11
D170,188	S	*	8/1953	Flood, Jr.	D26/85
D295,563	S	*	5/1988	Speck	D26/139
D296,015	S	*	5/1988	Falconer et al.	D26/72
D375,568	S	*	11/1996	Matthies	D26/28
D378,621	S	*	3/1997	Landefeld	D26/85
D389,268	S	*	1/1998	Kay	D26/118
5,730,521	A	*	3/1998	Spink et al.	362/223
D432,693	S	*	10/2000	Wachter et al.	D26/63
6,502,965	B1	*	1/2003	Bradford	362/346
D544,137	S	*	6/2007	Montefusco	D26/118
D563,588	S	*	3/2008	Mullen	D26/85
D612,975	S	*	3/2010	Guercio et al.	D26/85
D617,491	S	*	6/2010	Dordoni	D26/85
D625,044	S	*	10/2010	Lai et al.	D26/124
D639,502	S	*	6/2011	Heilaneh et al.	D26/139
D656,266	S	*	3/2012	Gordin et al.	D26/118
8,246,212	B2		8/2012	Schaefer et al.		
D674,131	S	*	1/2013	Gordin et al.	D26/118

* cited by examiner

Primary Examiner — Kevin Rudzinski

(74) *Attorney, Agent, or Firm* — Shaun P. Montana

(57) **CLAIM**

The ornamental design for a lens holder reflector, as shown and described.

DESCRIPTION

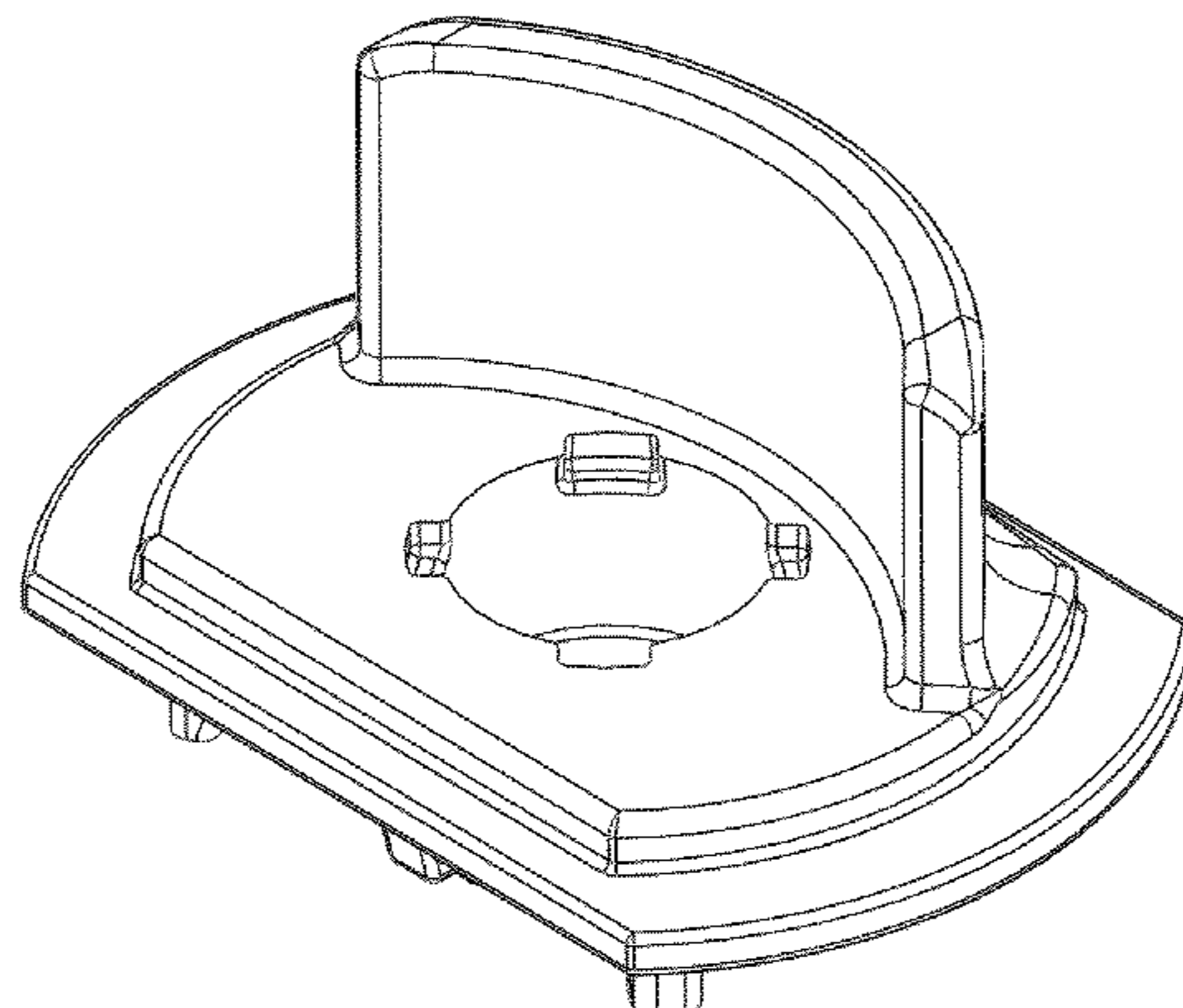
FIG. 1 is a perspective view of the ornamental design for a lens holder reflector;
 FIG. 2 is a top view thereof;
 FIG. 3 is a bottom view thereof;
 FIG. 4 is a front view thereof;
 FIG. 5 is a rear view thereof;
 FIG. 6 is a left view thereof; and,
 FIG. 7 is a right view thereof.

1 Claim, 7 Drawing Sheets

(56) **References Cited**

U.S. PATENT DOCUMENTS

D44,564	S	*	8/1913	Hamm	D26/128
D57,890	S	*	5/1921	Collier	D26/28



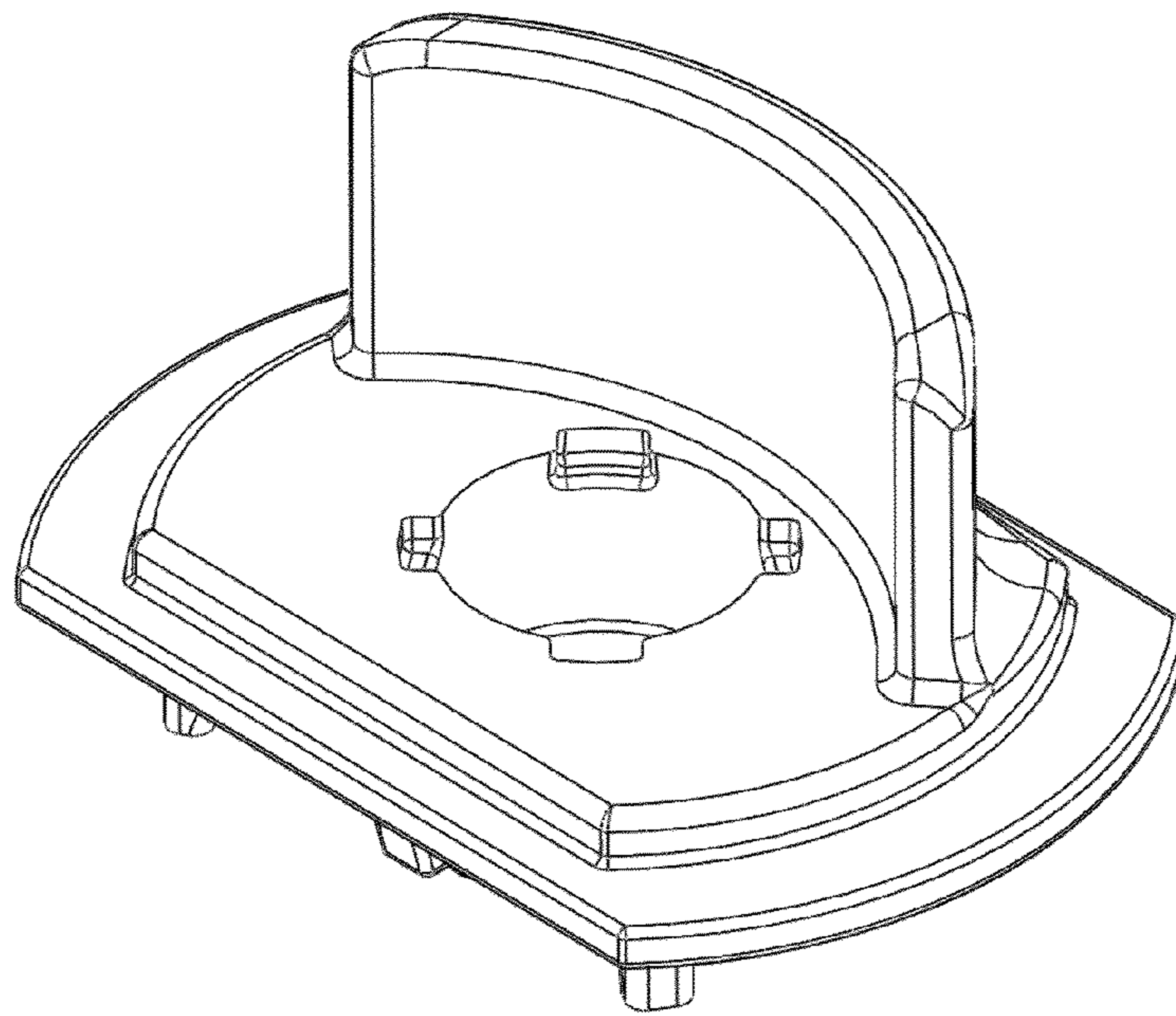


FIG. 1

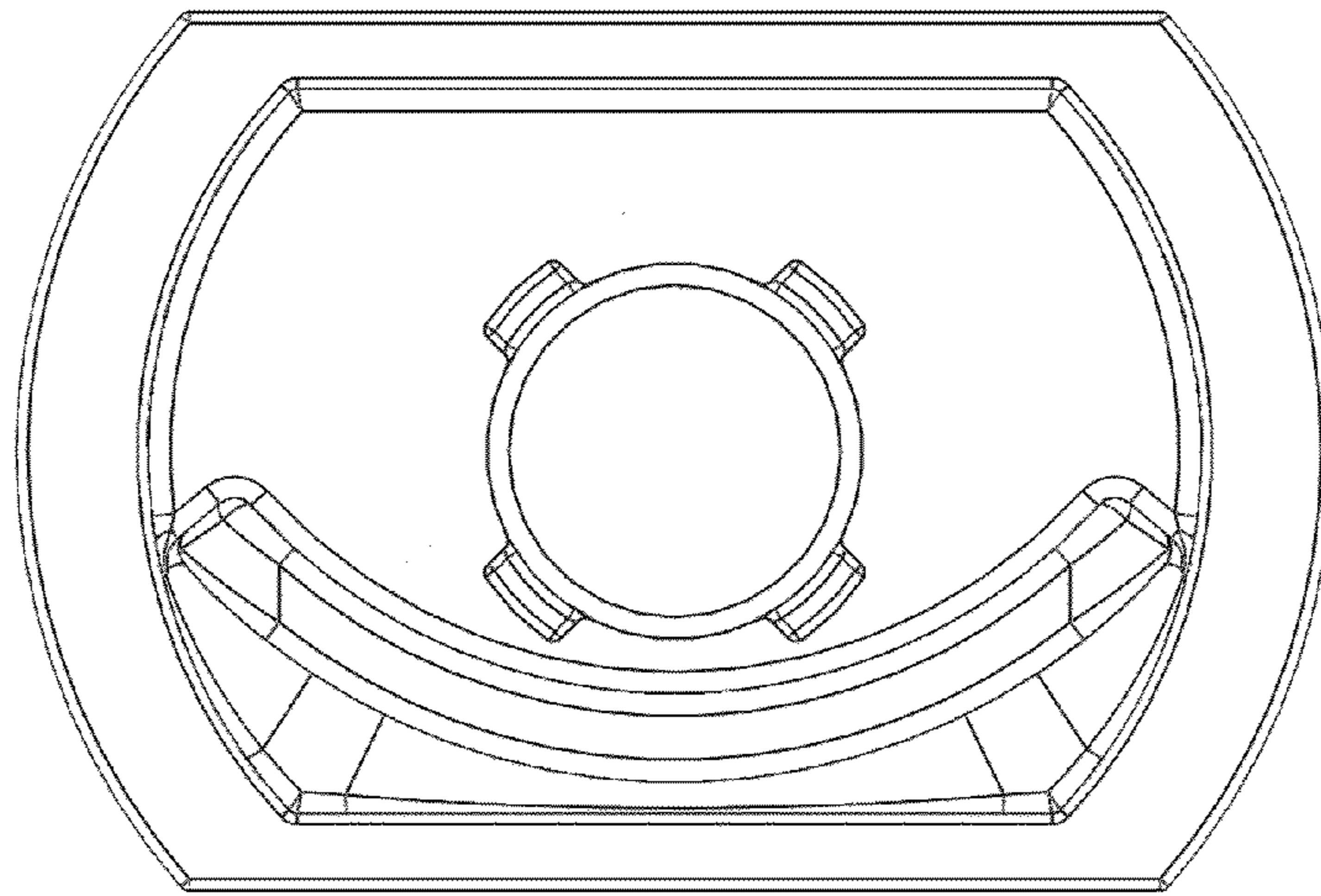


FIG. 2

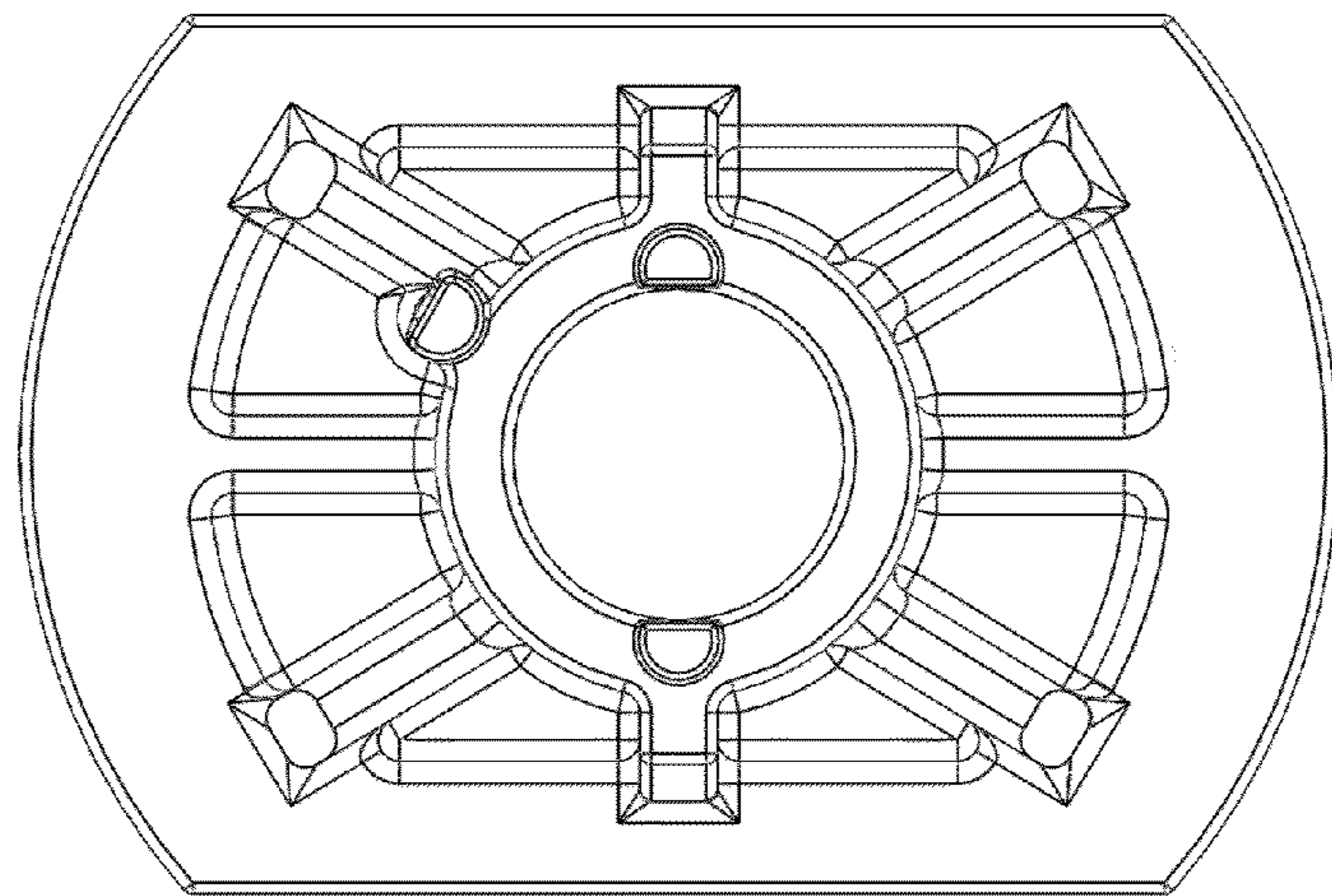


FIG. 3

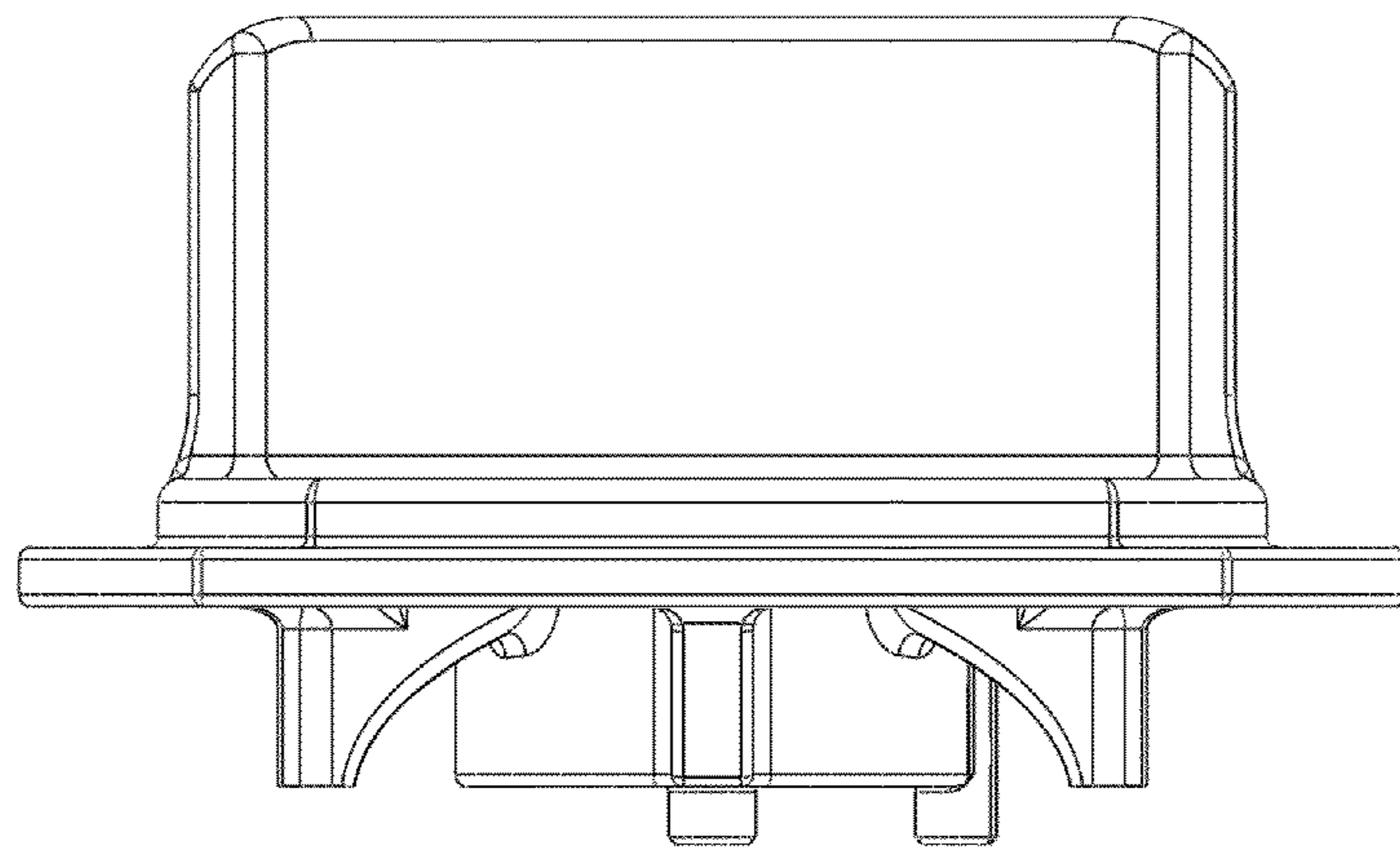


FIG. 4

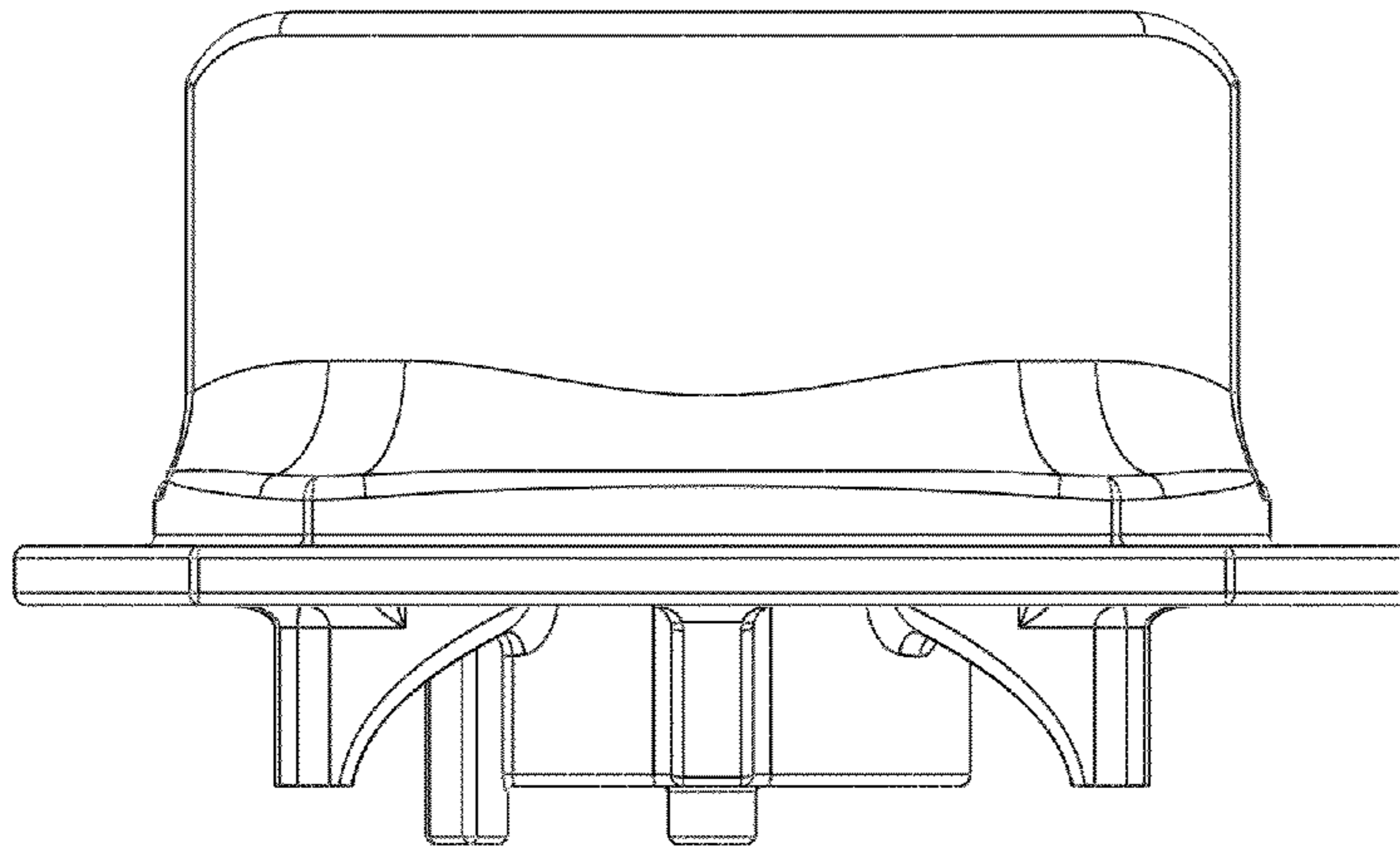


FIG. 5

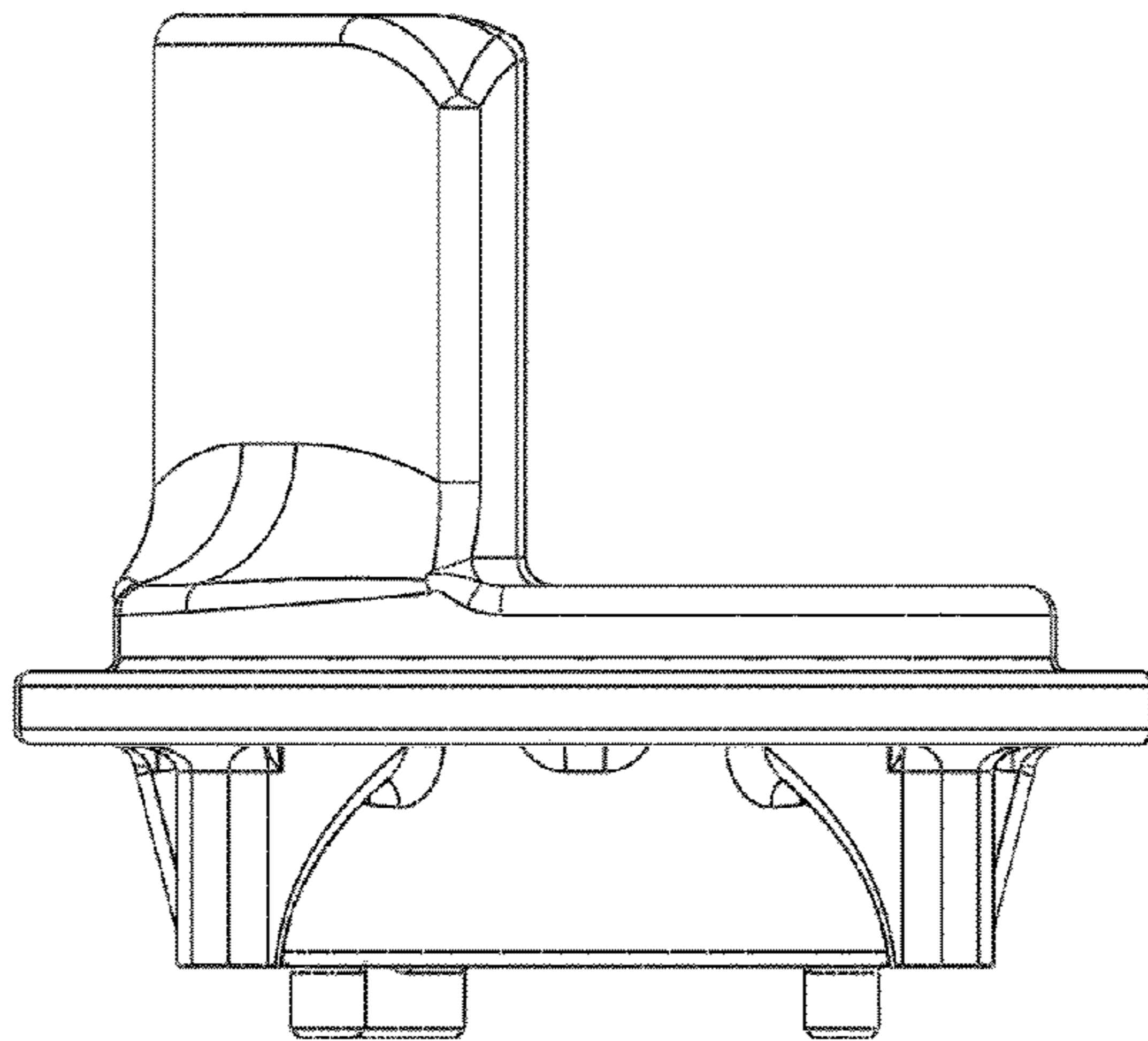


FIG. 6

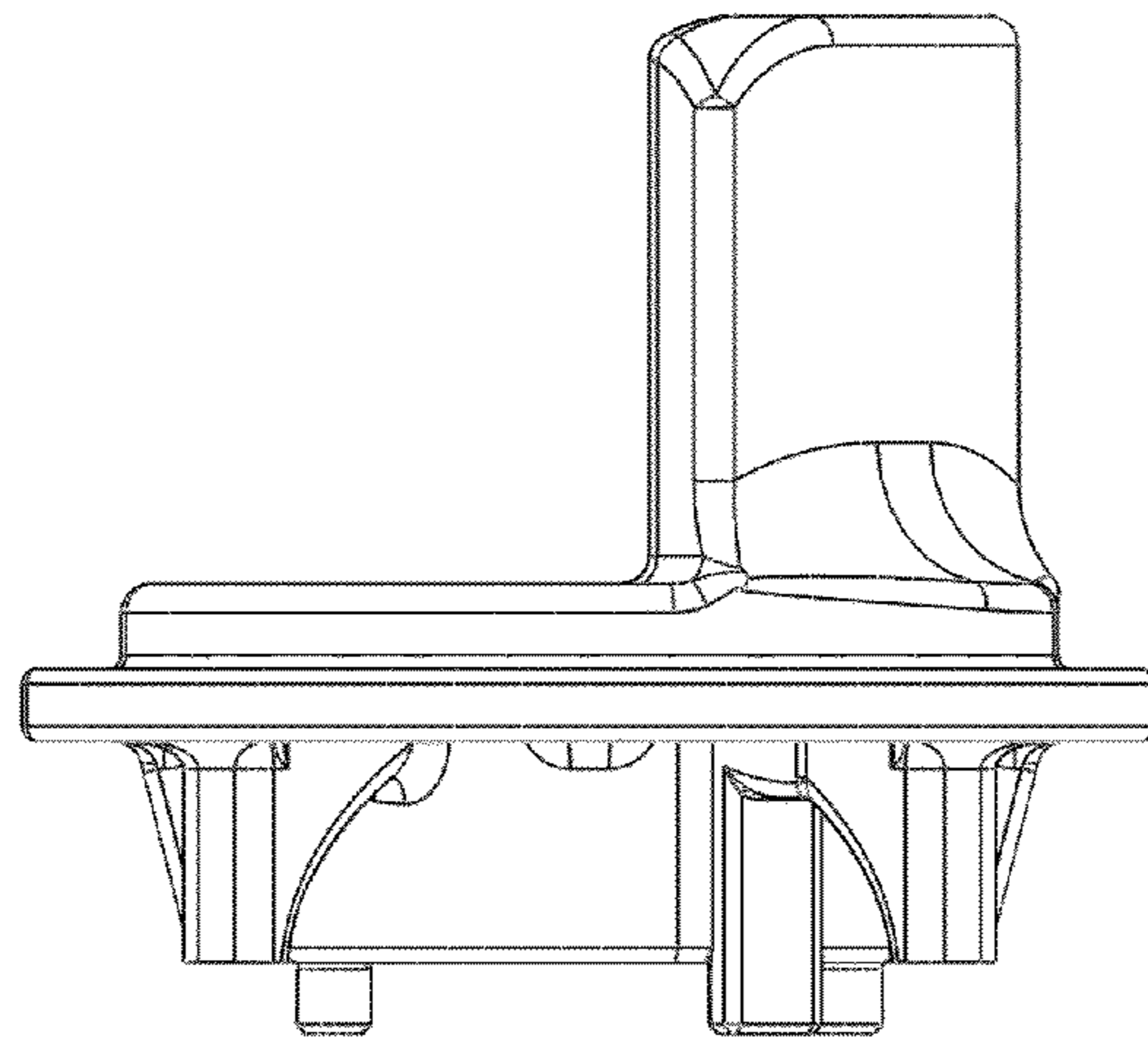


FIG. 7