



US00D693956S

(12) **United States Design Patent**
Yang

(10) **Patent No.:** **US D693,956 S**

(45) **Date of Patent:** **** Nov. 19, 2013**

(54) **DECORATIVE LANTERN**

(71) Applicant: **Derek Yang**, Hacienda Hts, CA (US)

(72) Inventor: **Derek Yang**, Hacienda Hts, CA (US)

(**) Term: **14 Years**

(21) Appl. No.: **29/452,230**

(22) Filed: **Apr. 13, 2013**

(51) **LOC (9) Cl.** **26-03**

(52) **U.S. Cl.**
USPC **D26/85; D26/67**

(58) **Field of Classification Search**
USPC D26/40, 67, 68, 85, 87, 104, 118, 128;
362/147, 161, 163, 183, 350, 356, 363,
362/431, 432

See application file for complete search history.

(56) **References Cited**

U.S. PATENT DOCUMENTS

D37,966 S *	4/1906	Schepmoes	D26/85
D50,542 S *	3/1917	Wellman	D26/85
D51,044 S *	7/1917	Mohrmann	D26/67
D67,187 S *	5/1925	Crowell	D26/85
D71,665 S *	12/1926	De Vilbiss	D26/104
5,264,996 A *	11/1993	Bele et al.	362/162
D483,895 S *	12/2003	Kuelbs et al.	D26/67
D517,232 S *	3/2006	Chen	D26/67
D530,035 S *	10/2006	Wen	D26/67

D534,676 S *	1/2007	Chen	D26/87
D604,439 S *	11/2009	Chen	D26/67
D604,440 S *	11/2009	Chen	D26/67
D605,802 S *	12/2009	Chen	D26/67
D653,379 S *	1/2012	Chen	D26/87
D653,380 S *	1/2012	Chen	D26/87
D663,063 S *	7/2012	Yang	D26/67
D666,758 S *	9/2012	Ho et al.	D26/67
D684,293 S *	6/2013	Lastimosa	D26/87

* cited by examiner

Primary Examiner — Clare E Heflin

(74) *Attorney, Agent, or Firm* — Pai Patent & Trademark Law Firm; Chao-Chang David Pai

(57) **CLAIM**

The ornamental design for a decorative lantern, as shown and described.

DESCRIPTION

FIG. 1 is a perspective view of a decorative lantern, showing my new design;

FIG. 2 is a front elevational view thereof;

FIG. 3 is a rear elevational view thereof;

FIG. 4 is a left side elevational view thereof;

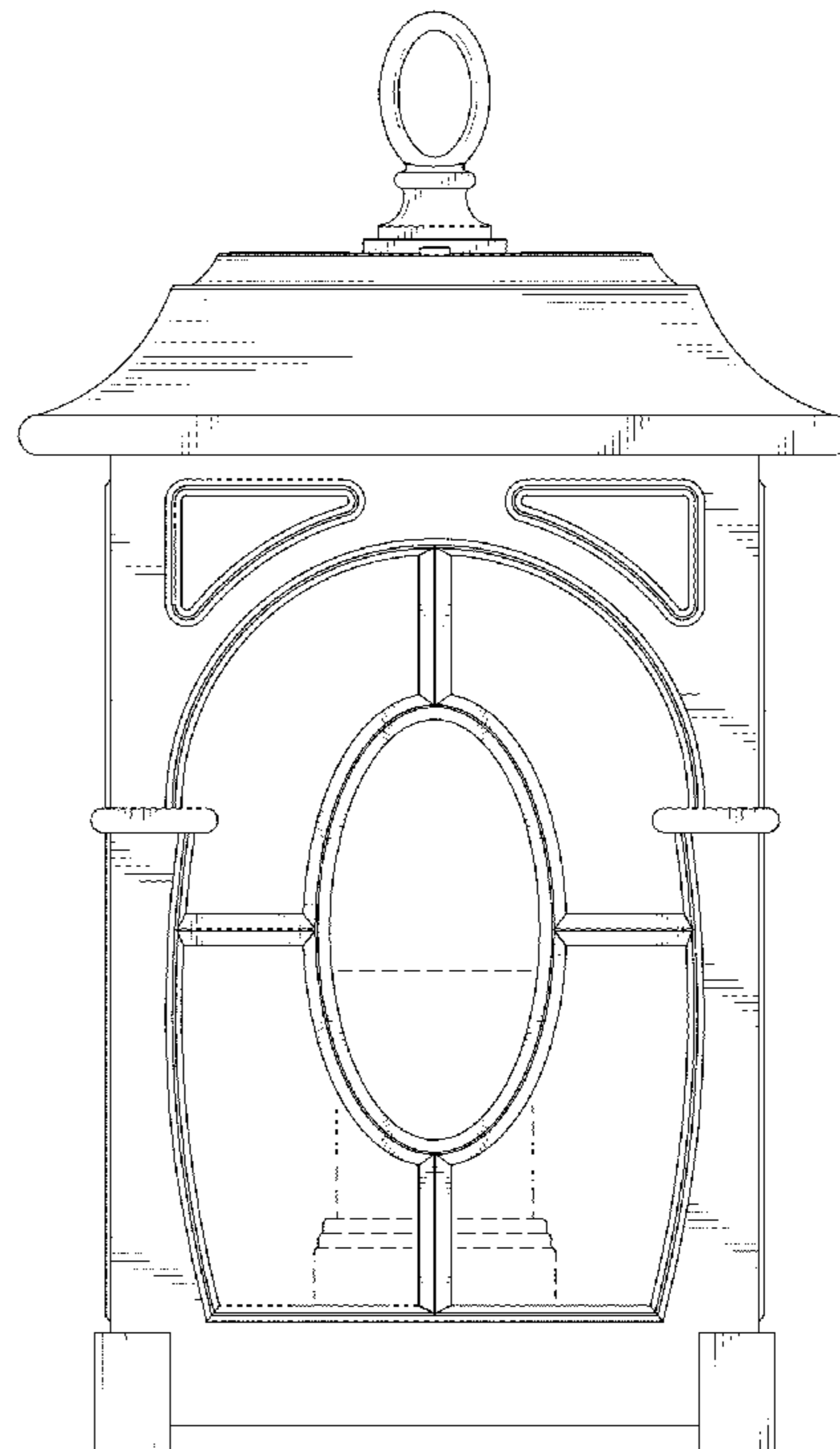
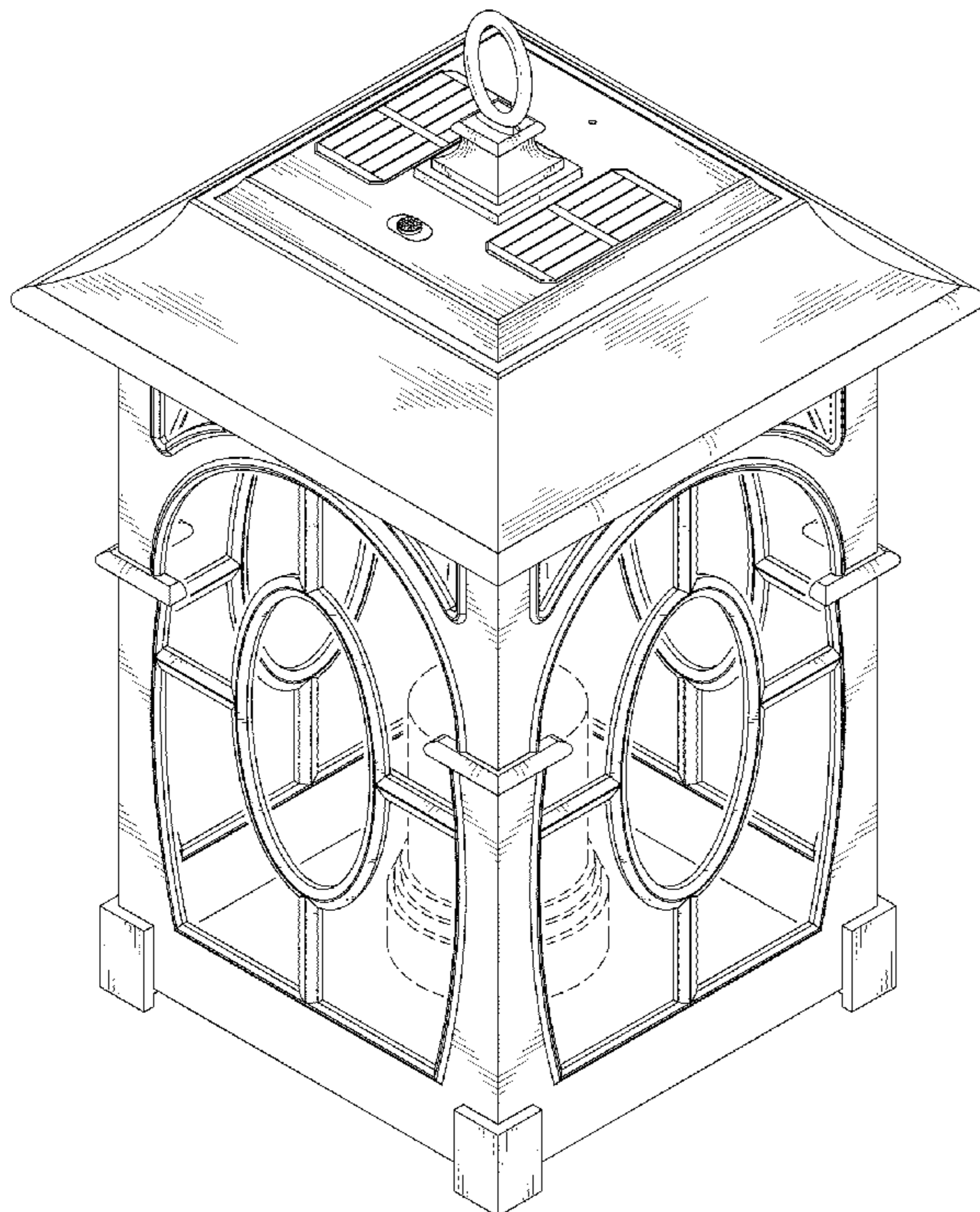
FIG. 5 is a right side elevational view thereof;

FIG. 6 is a top plan view thereof; and,

FIG. 7 is a bottom plan view thereof.

The broken lines showing the plastic shade and support in FIGS. 1-5 are included for illustrative purposes and form no part of the claimed design.

1 Claim, 6 Drawing Sheets



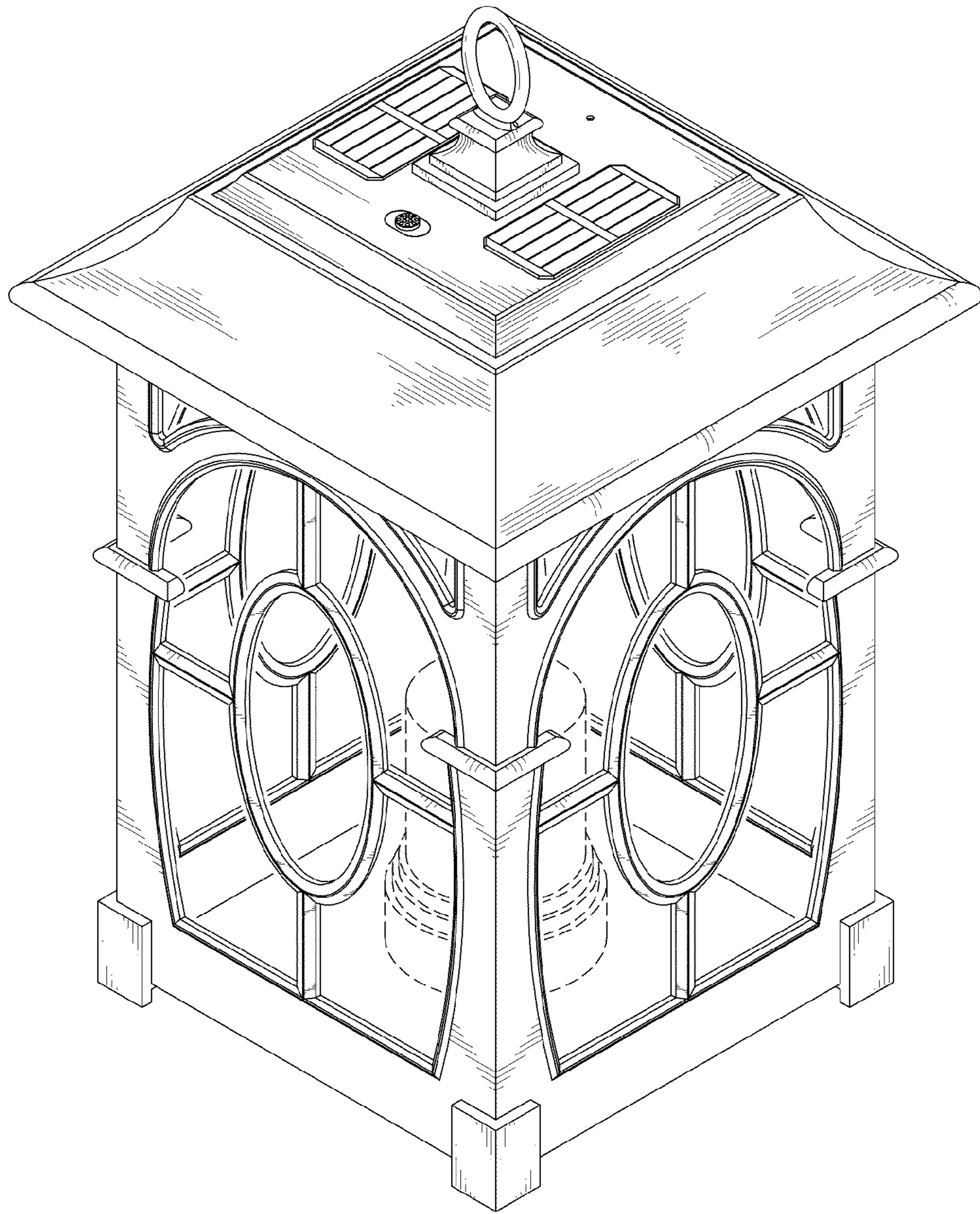


FIG. 1

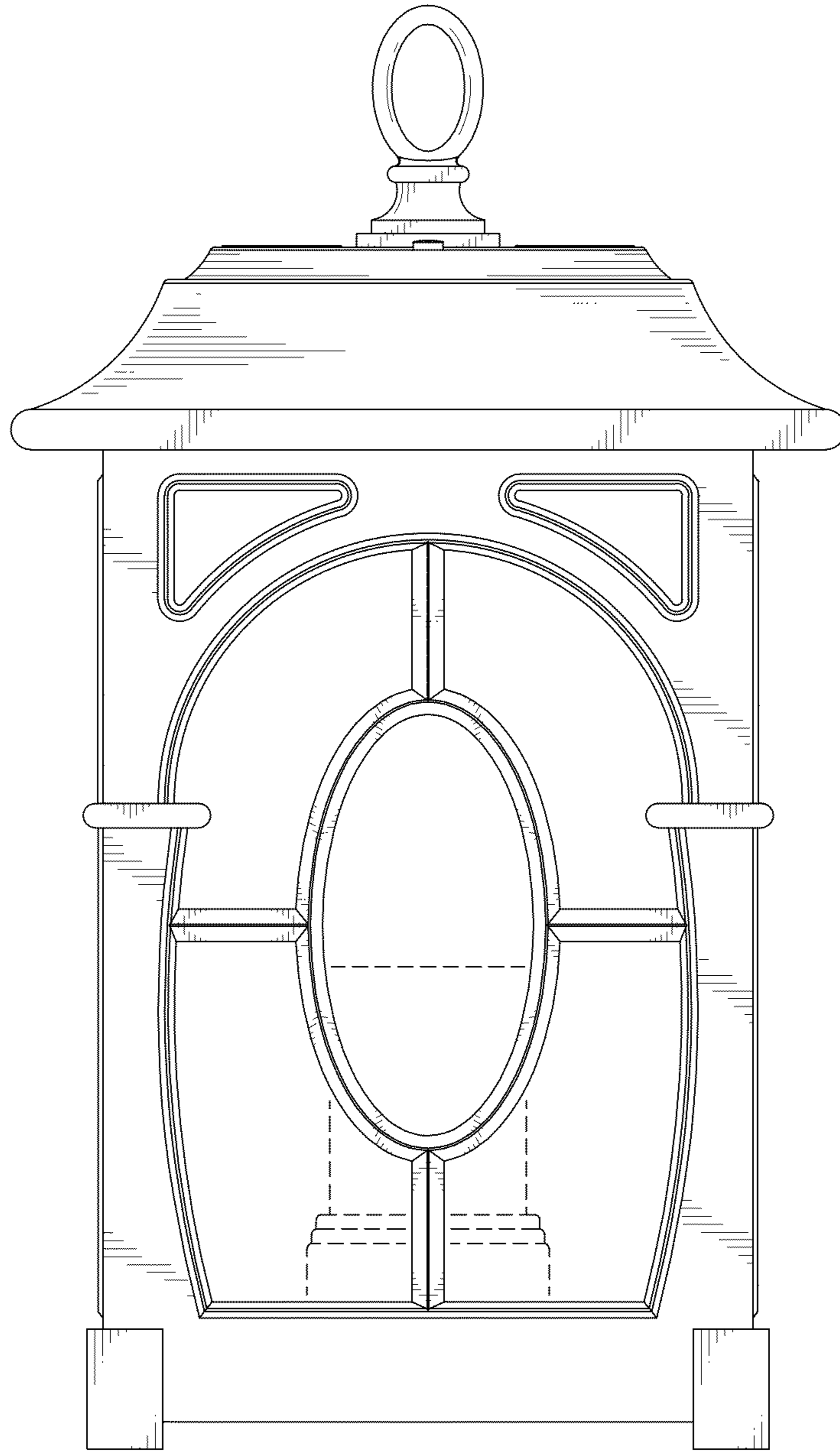


FIG. 2

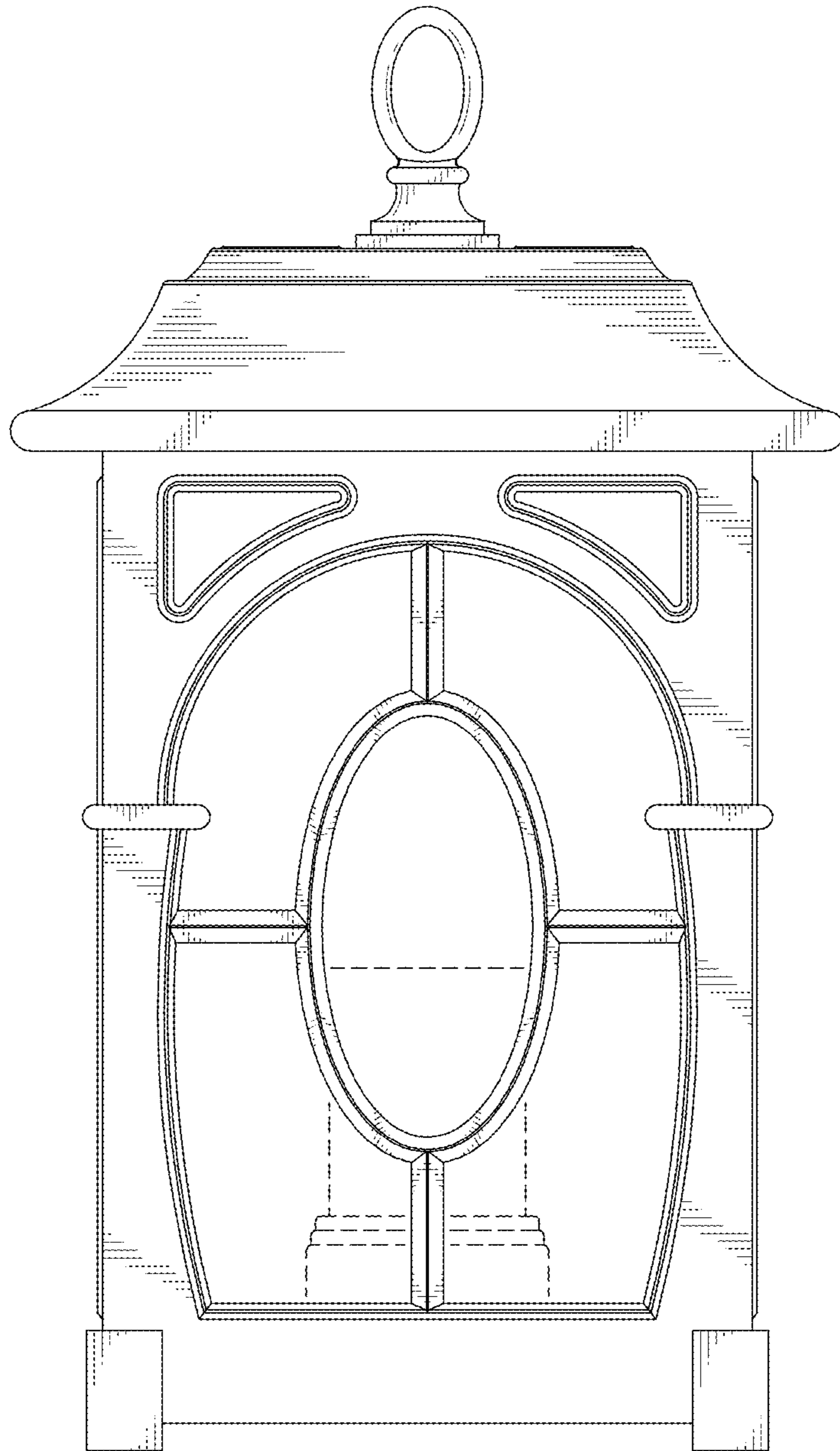


FIG. 3

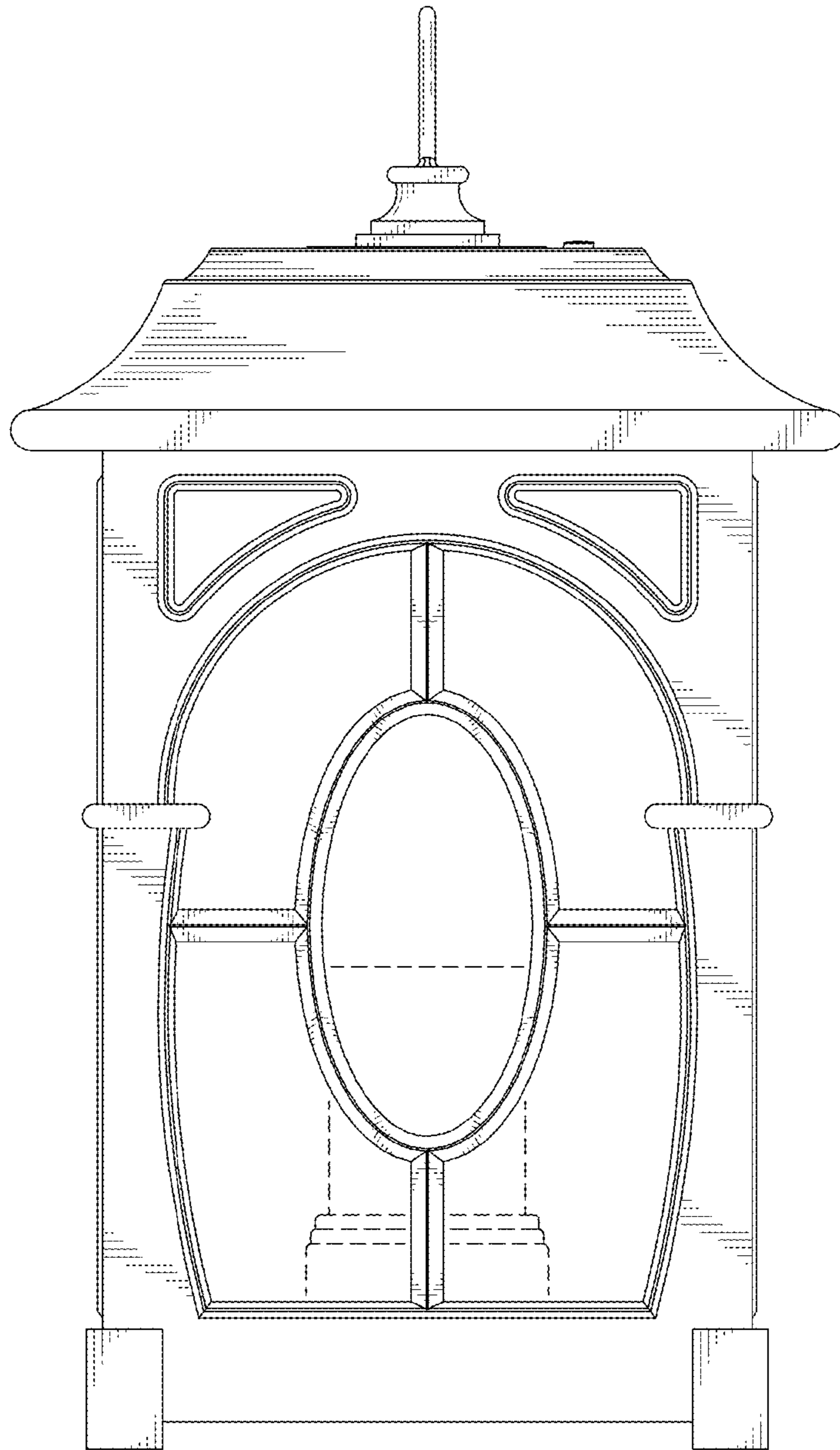


FIG. 4

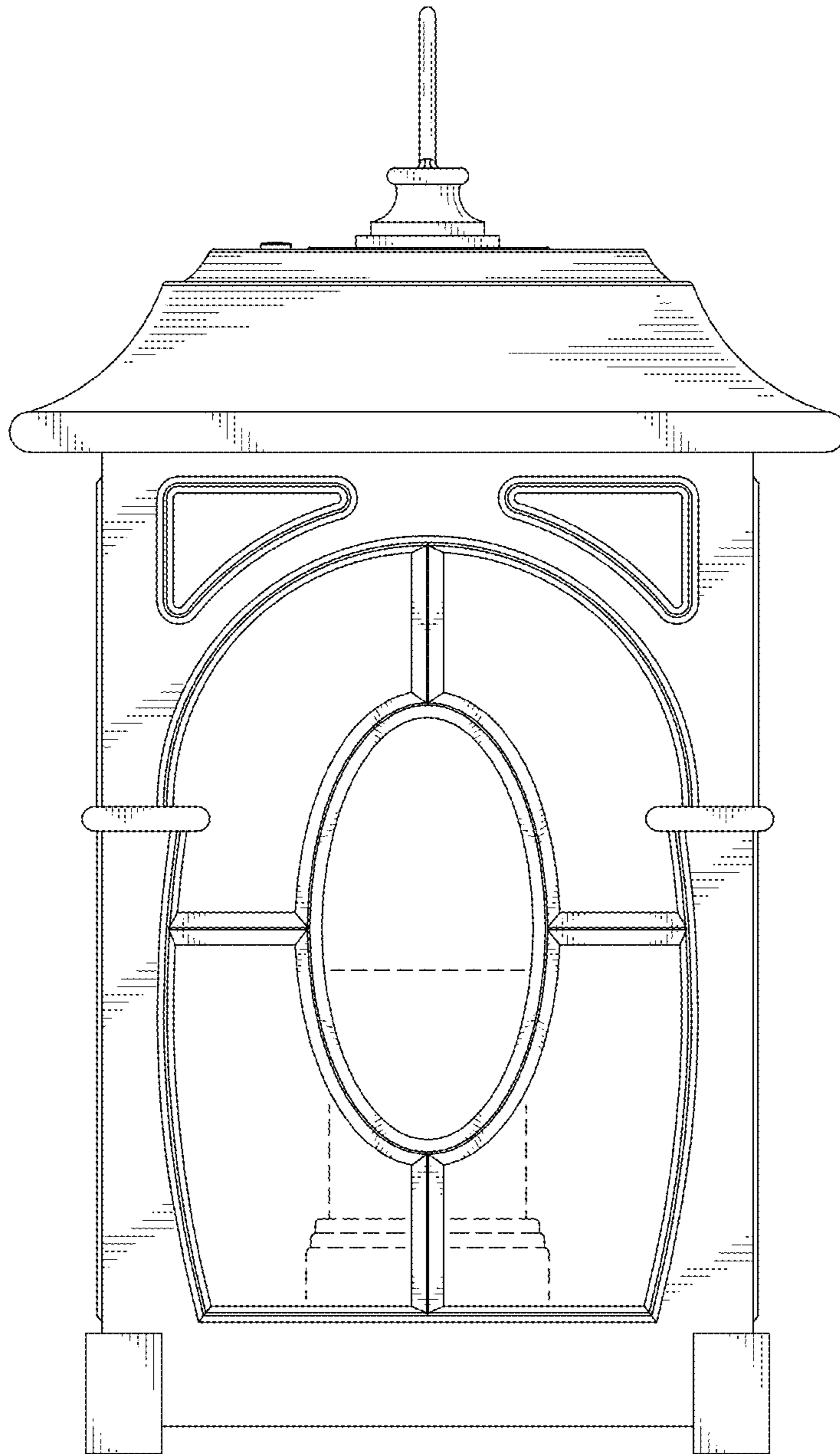


FIG. 5

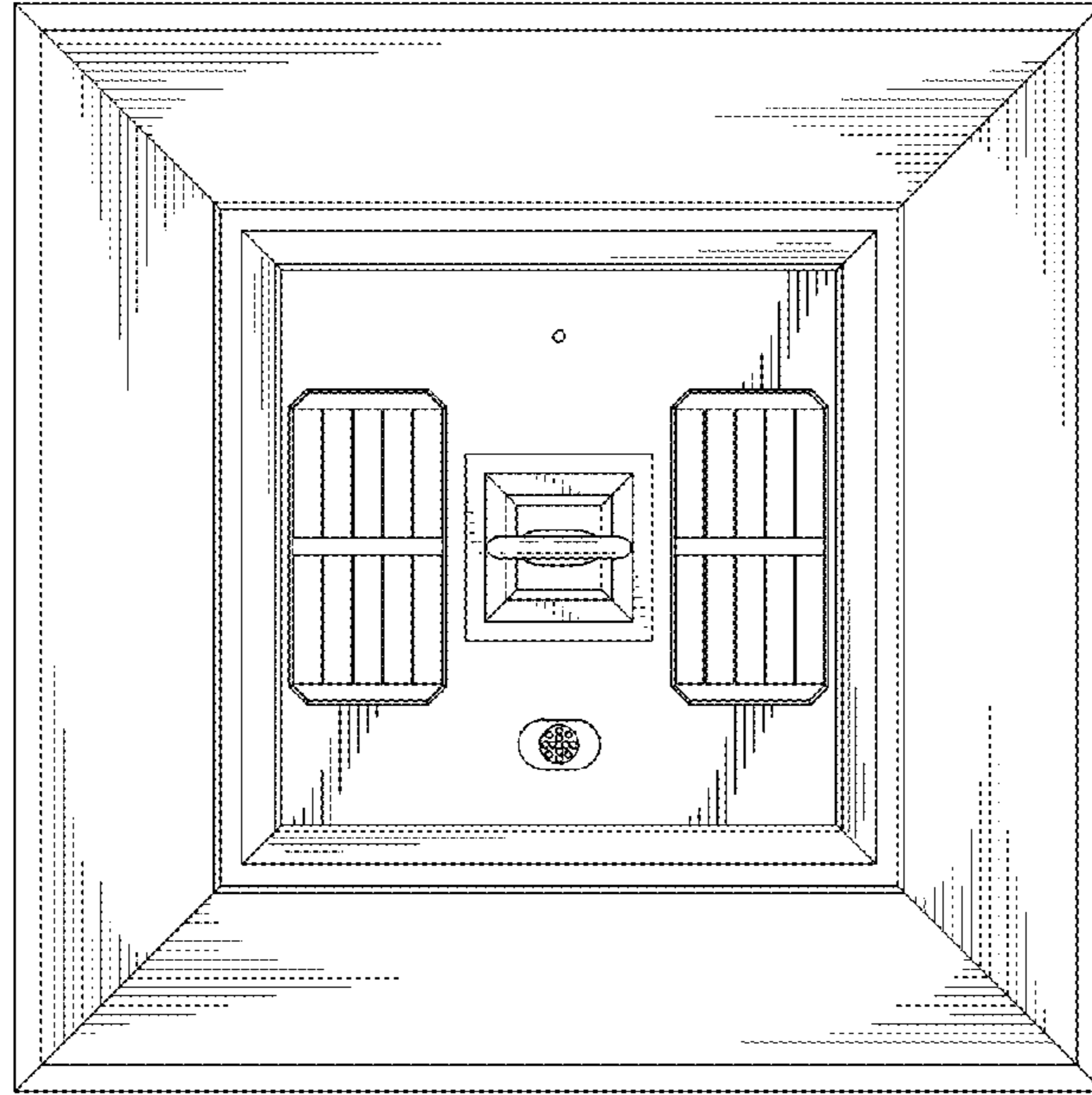


FIG. 6

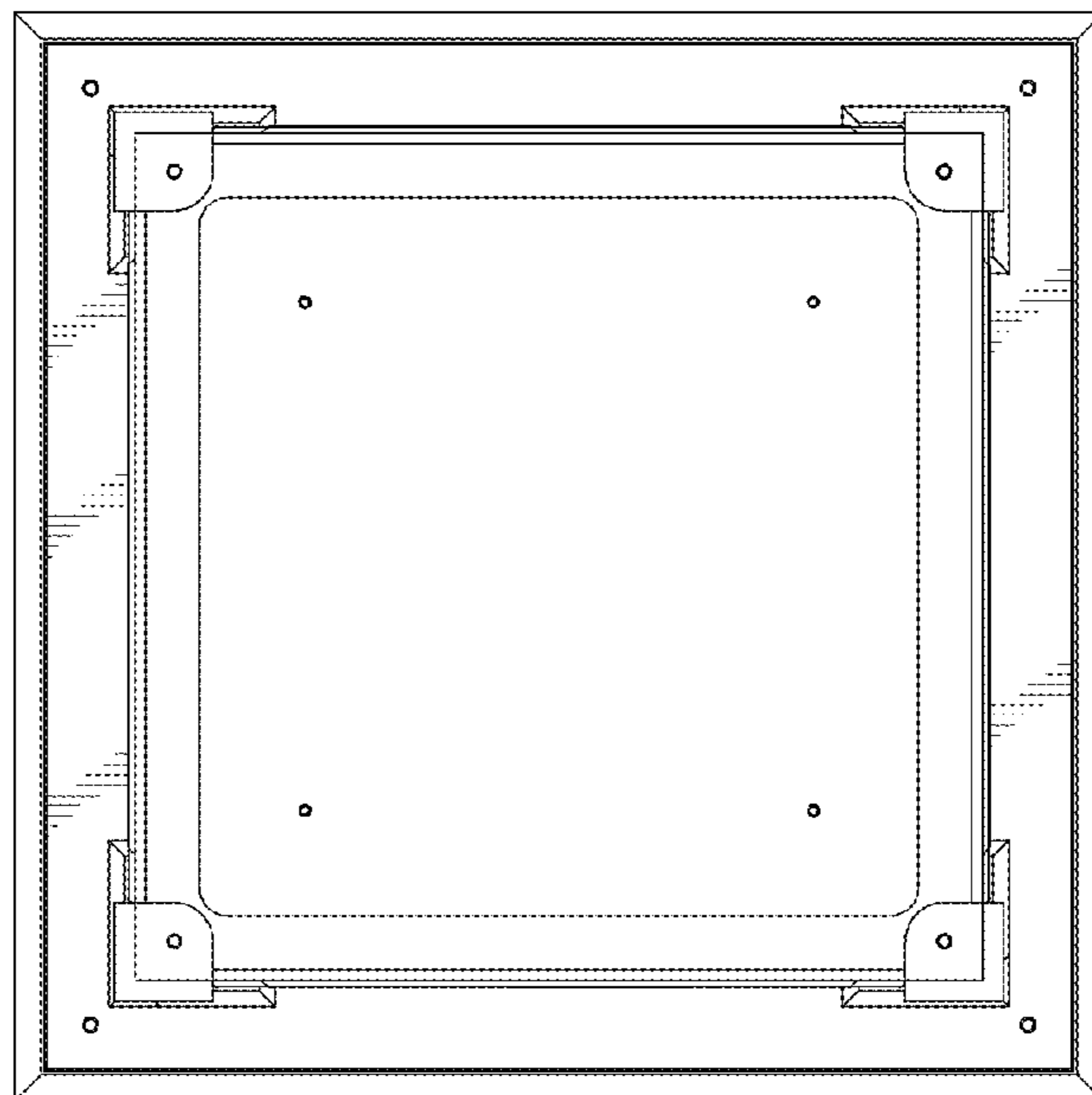


FIG. 7