



US00D693955S

(12) **United States Design Patent**
Yang

(10) **Patent No.:** **US D693,955 S**

(45) **Date of Patent:** **** Nov. 19, 2013**

(54) **DECORATIVE LANTERN**

(71) Applicant: **Derek Yang**, Hacienda Hts, CA (US)

(72) Inventor: **Derek Yang**, Hacienda Hts, CA (US)

(**) Term: **14 Years**

(21) Appl. No.: **29/452,227**

(22) Filed: **Apr. 12, 2013**

(51) **LOC (9) Cl.** **26-03**

(52) **U.S. Cl.**
USPC **D26/85; D26/67**

(58) **Field of Classification Search**
USPC D26/40, 67, 68, 85, 87, 104, 118, 128;
362/147, 161, 163, 183, 350, 356, 363,
362/431, 432

See application file for complete search history.

(56) **References Cited**

U.S. PATENT DOCUMENTS

D70,703 S *	7/1926	Rubenstein	D26/67
D73,930 S *	11/1927	Lindsay	D26/67
D465,296 S *	11/2002	DiPasquale	D26/67
D504,189 S *	4/2005	Hon et al.	D26/67
D518,211 S *	3/2006	Krieger et al.	D26/40
D532,140 S *	11/2006	Wen	D26/67
D537,189 S *	2/2007	Zhang	D26/87

D550,891 S *	9/2007	Miranda	D26/85
D563,584 S *	3/2008	Lee et al.	D26/67
D629,551 S *	12/2010	Jing	D26/67
D646,427 S *	10/2011	Chen	D26/87
D663,063 S *	7/2012	Yang	D26/67

* cited by examiner

Primary Examiner — Clare E Heflin

(74) *Attorney, Agent, or Firm* — Pai Patent & Trademark Law Firm; Chao-Chang David Pai

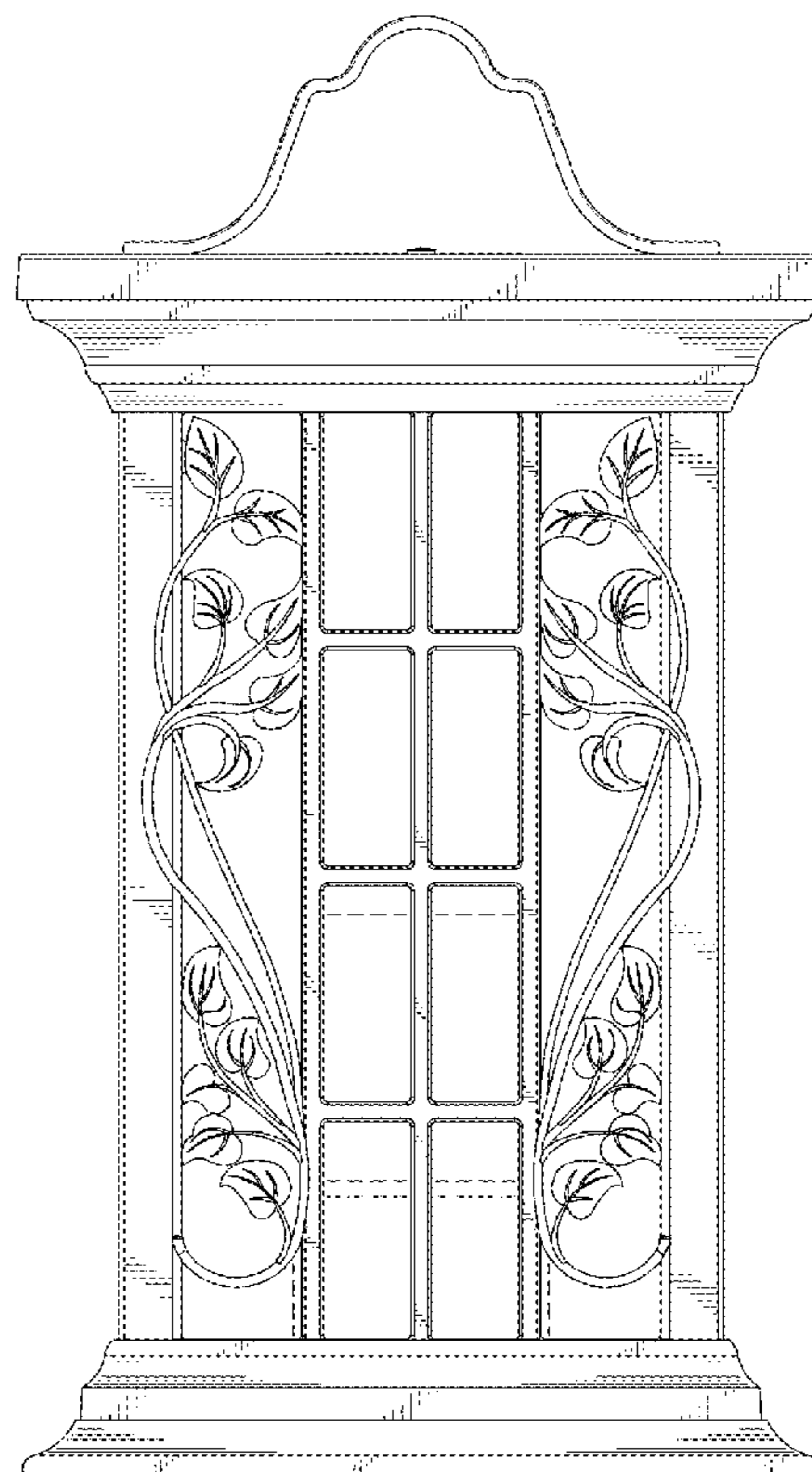
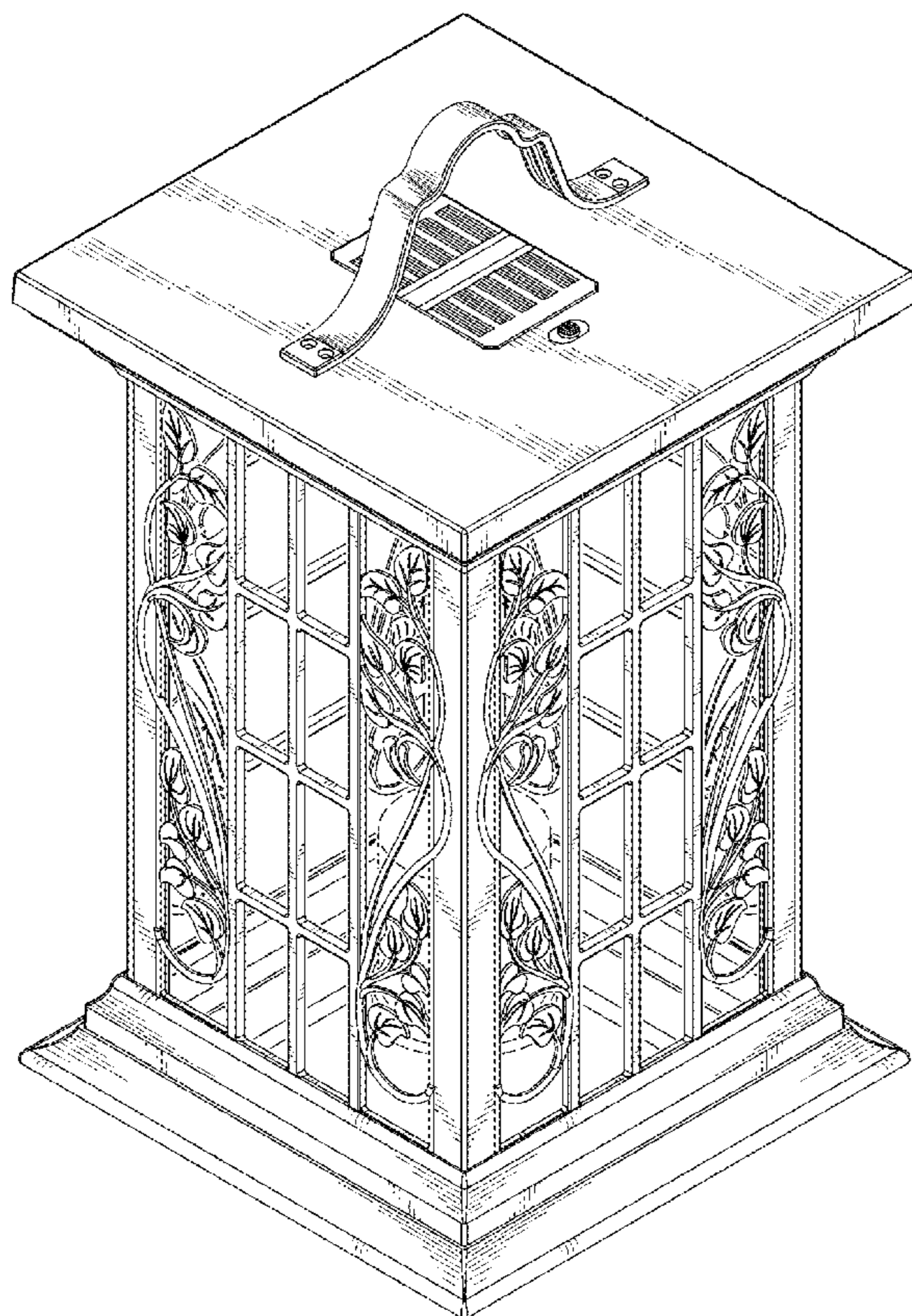
(57) **CLAIM**

The ornamental design for a decorative lantern, as shown and described.

DESCRIPTION

FIG. 1 is a perspective view of a decorative lantern, showing my new design;
FIG. 2 is a front elevational view thereof;
FIG. 3 is a rear elevational view thereof;
FIG. 4 is a left side elevational view thereof;
FIG. 5 is a right side elevational view thereof;
FIG. 6 is a top plan view thereof; and,
FIG. 7 is a bottom plan view thereof.
The broken lines showing the plastic shade and support in FIGS. 1-5 and 7 are included for illustrative purposes and form no part of the claimed design.

1 Claim, 6 Drawing Sheets



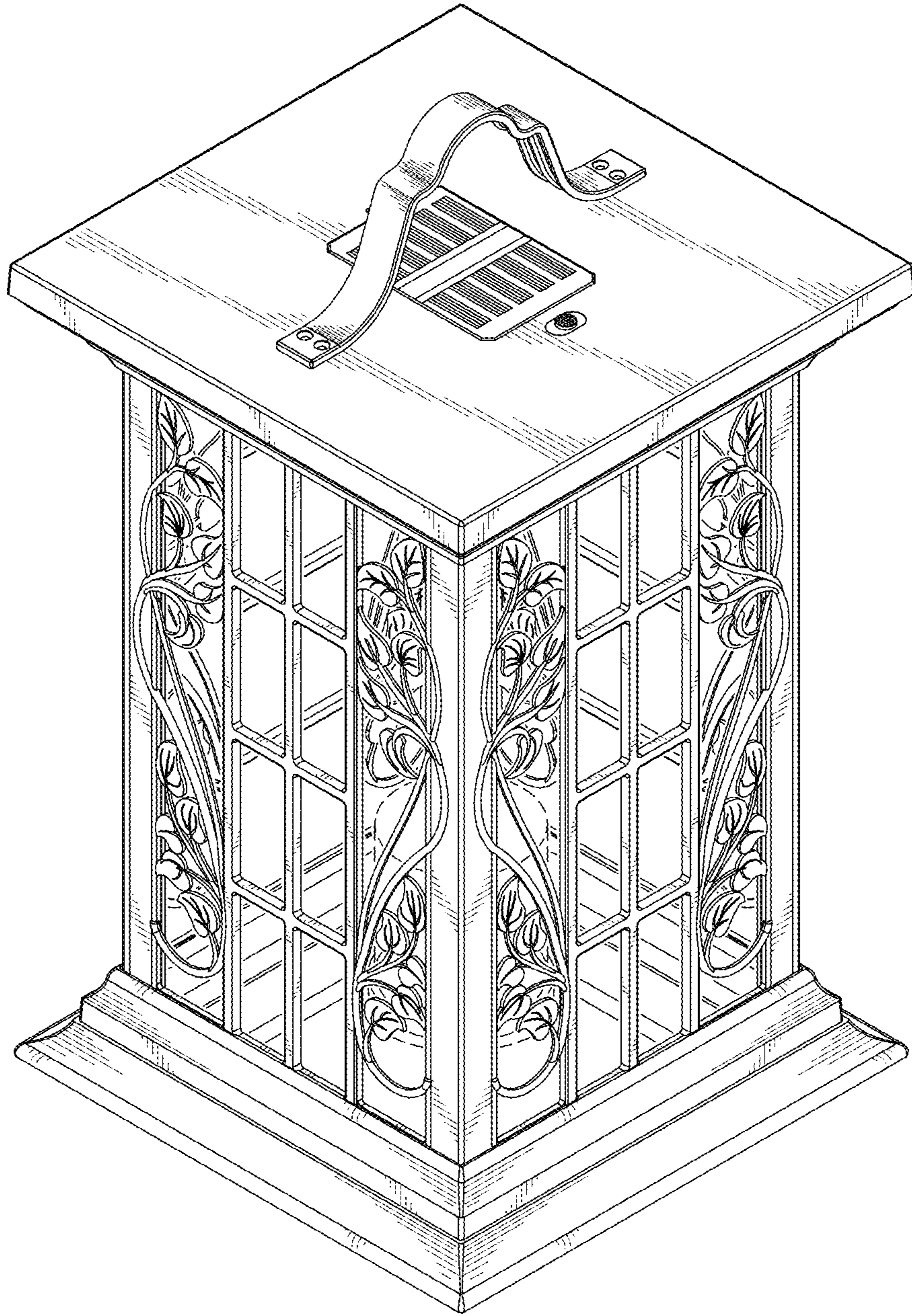


FIG. 1



FIG. 2



FIG. 3



FIG. 4



FIG. 5

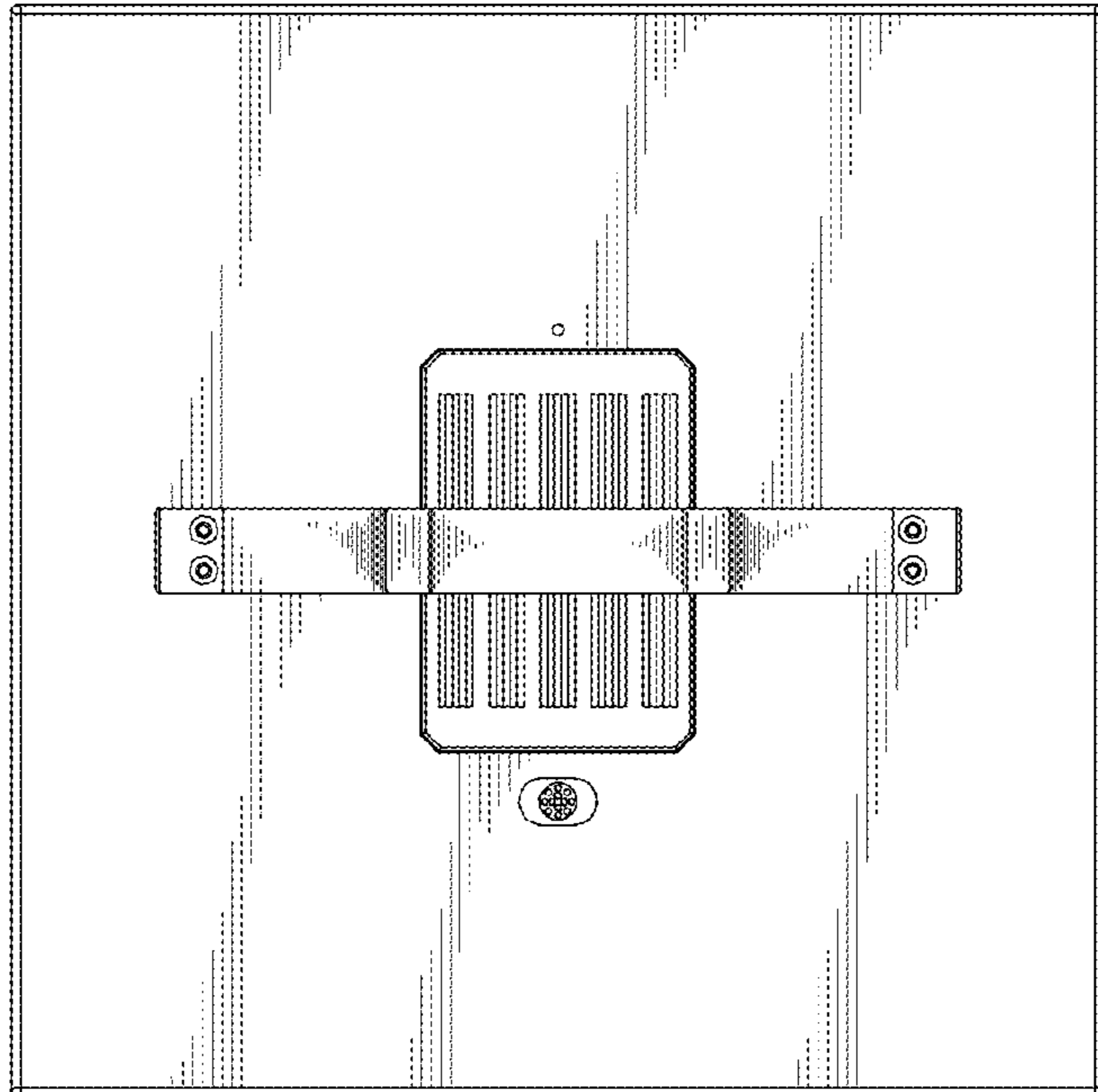


FIG. 6

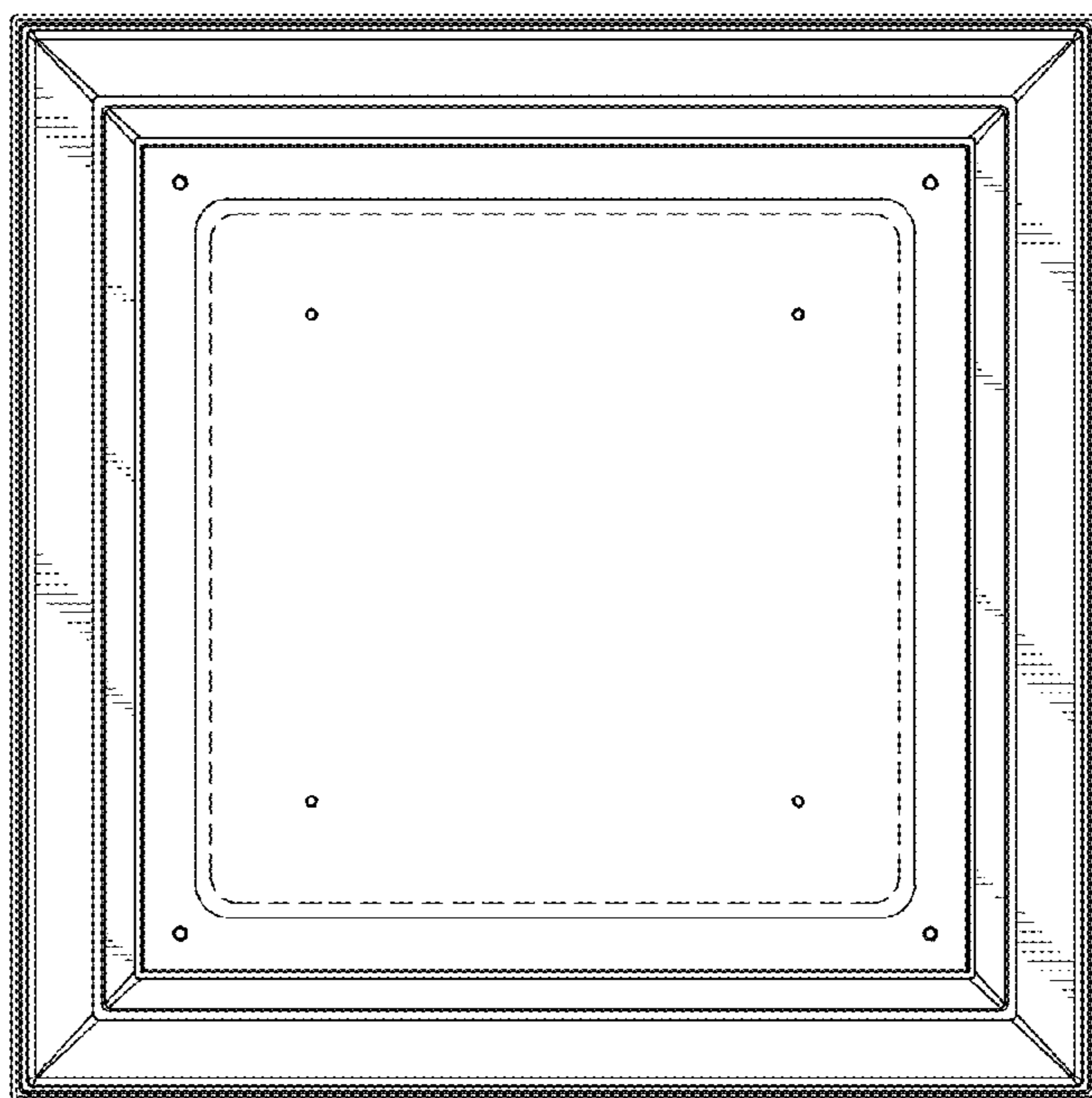


FIG. 7