



US00D693954S

(12) **United States Design Patent**
Keng

(10) **Patent No.:** **US D693,954 S**

(45) **Date of Patent:** **** Nov. 19, 2013**

(54) **WALL MOUNT LIGHT FIXTURE WITH
DOMED TOP AND FINIAL**

(71) Applicant: **Cordelia Lighting, Inc.**, Rancho Dominguez, CA (US)

(72) Inventor: **James Keng**, Rancho Dominguez, CA (US)

(73) Assignee: **Cordelia Lighting, Inc.**, Rancho Dominguez, CA (US)

(**) Term: **14 Years**

(21) Appl. No.: **29/443,483**

(22) Filed: **Jan. 17, 2013**

(51) **LOC (9) Cl.** **26-03**

(52) **U.S. Cl.**
USPC **D26/85; D26/87**

(58) **Field of Classification Search**
USPC D26/67, 68, 85, 87, 118, 128; 362/147,
362/183, 350, 356, 363, 432
See application file for complete search history.

(56) **References Cited**

U.S. PATENT DOCUMENTS

D70,868 S *	8/1926	Underwood	D26/67
D77,958 S *	3/1929	Helvey	D26/67
D81,003 S *	4/1930	Haas	D26/67
D81,452 S *	6/1930	Osborn	D26/141
D82,425 S *	11/1930	Harris	D26/67
D208,663 S *	9/1967	Daum	D26/67

D465,052 S *	10/2002	De'Armond et al.	D26/87
D481,819 S *	11/2003	Cheong et al.	D26/72
D514,243 S *	1/2006	Curtin	D26/85
D515,231 S *	2/2006	Randazzo et al.	D26/67
D537,188 S *	2/2007	Dolan	D26/87
D538,461 S *	3/2007	Broughton et al.	D26/87

* cited by examiner

Primary Examiner — Clare E Heflin

(74) *Attorney, Agent, or Firm* — Paul Y. Feng; The Eclipse Group LLP

(57) **CLAIM**

The ornamental design for a wall mount light fixture with domed top and finial, as shown and described.

DESCRIPTION

FIG. 1 is a perspective view of the upper right side of a wall mount light fixture with domed top and finial, showing the new design;

FIG. 2 is a perspective view of the top side of the wall mount light fixture with domed top and finial from FIG. 1;

FIG. 3 is a right side elevational view thereof;

FIG. 4 is a left side elevational view thereof;

FIG. 5 is a bottom view thereof;

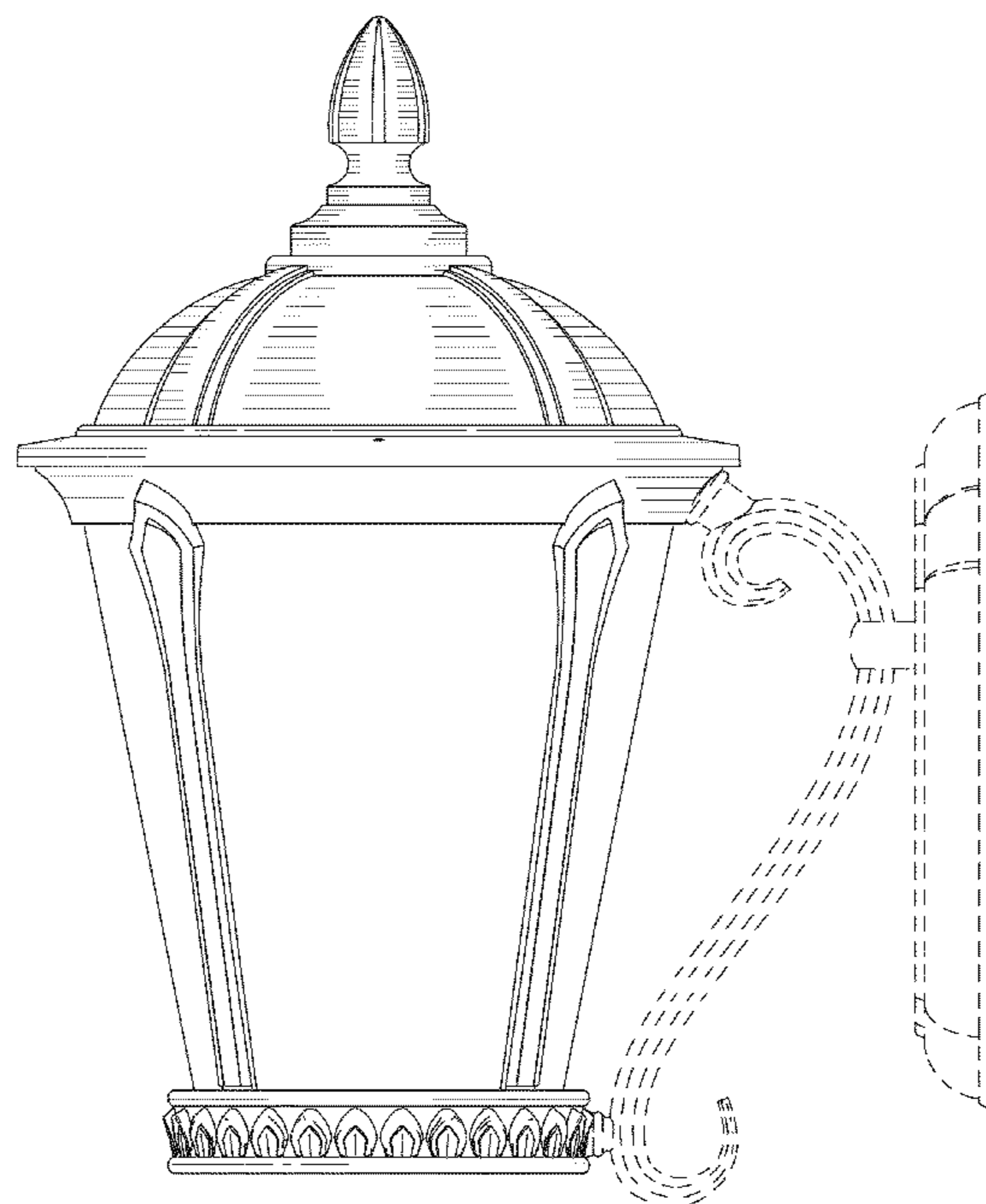
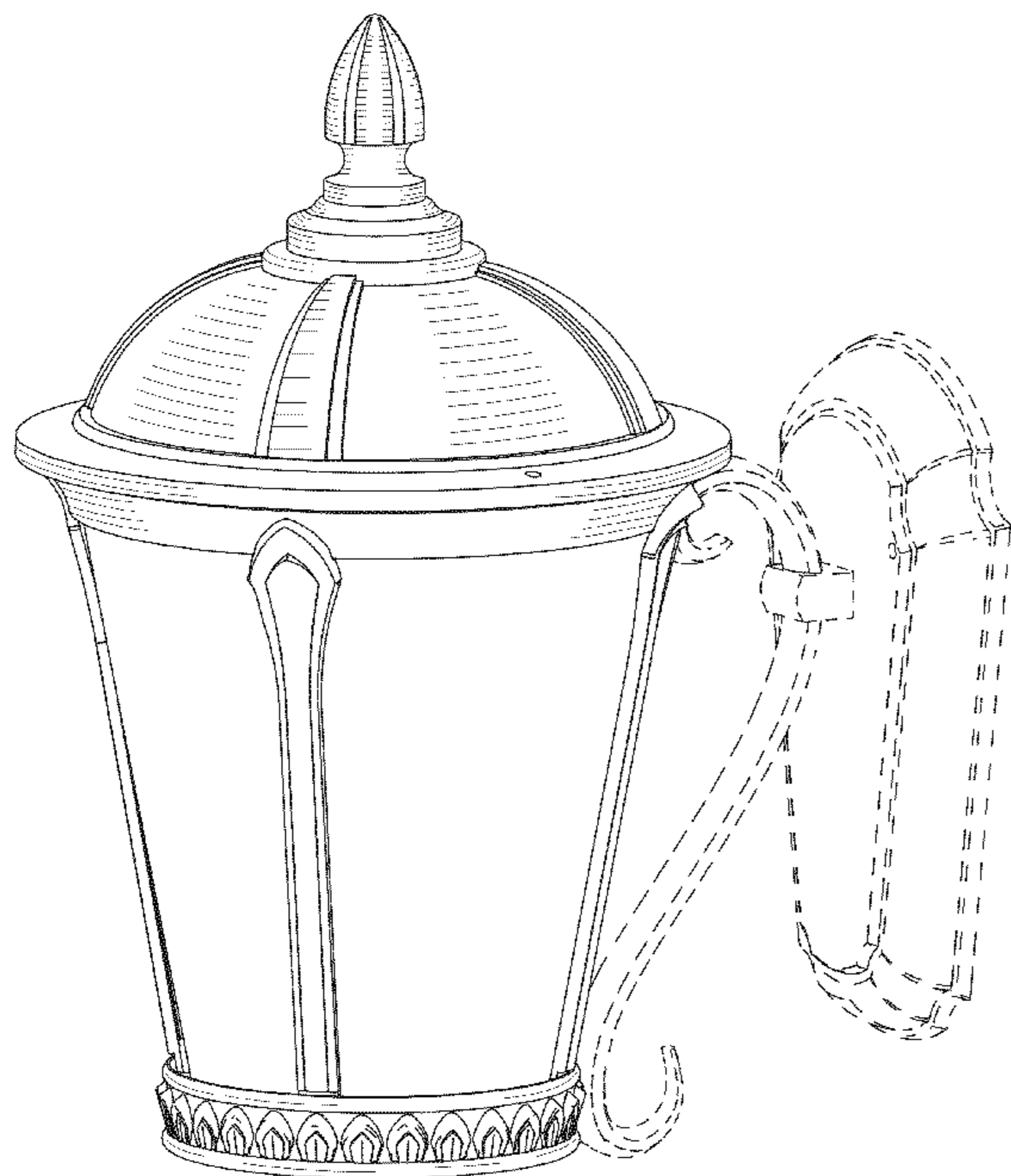
FIG. 6 is a top plan view thereof;

FIG. 7 is a back view thereof; and,

FIG. 8 is a front elevational view thereof.

The broken lines shown in the drawings are for illustrative purposes only and form no part of the claimed design.

1 Claim, 8 Drawing Sheets



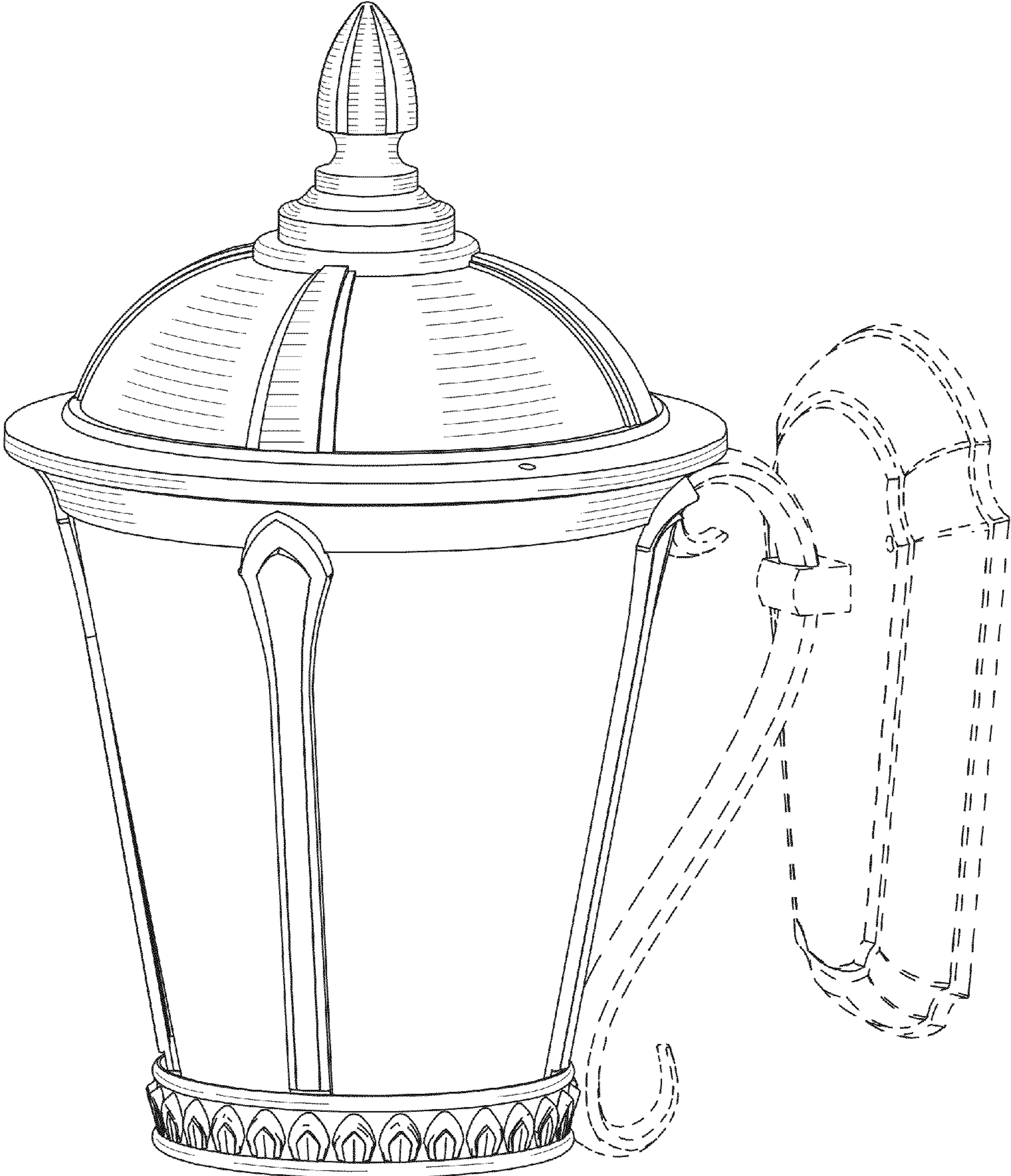


FIG. 1

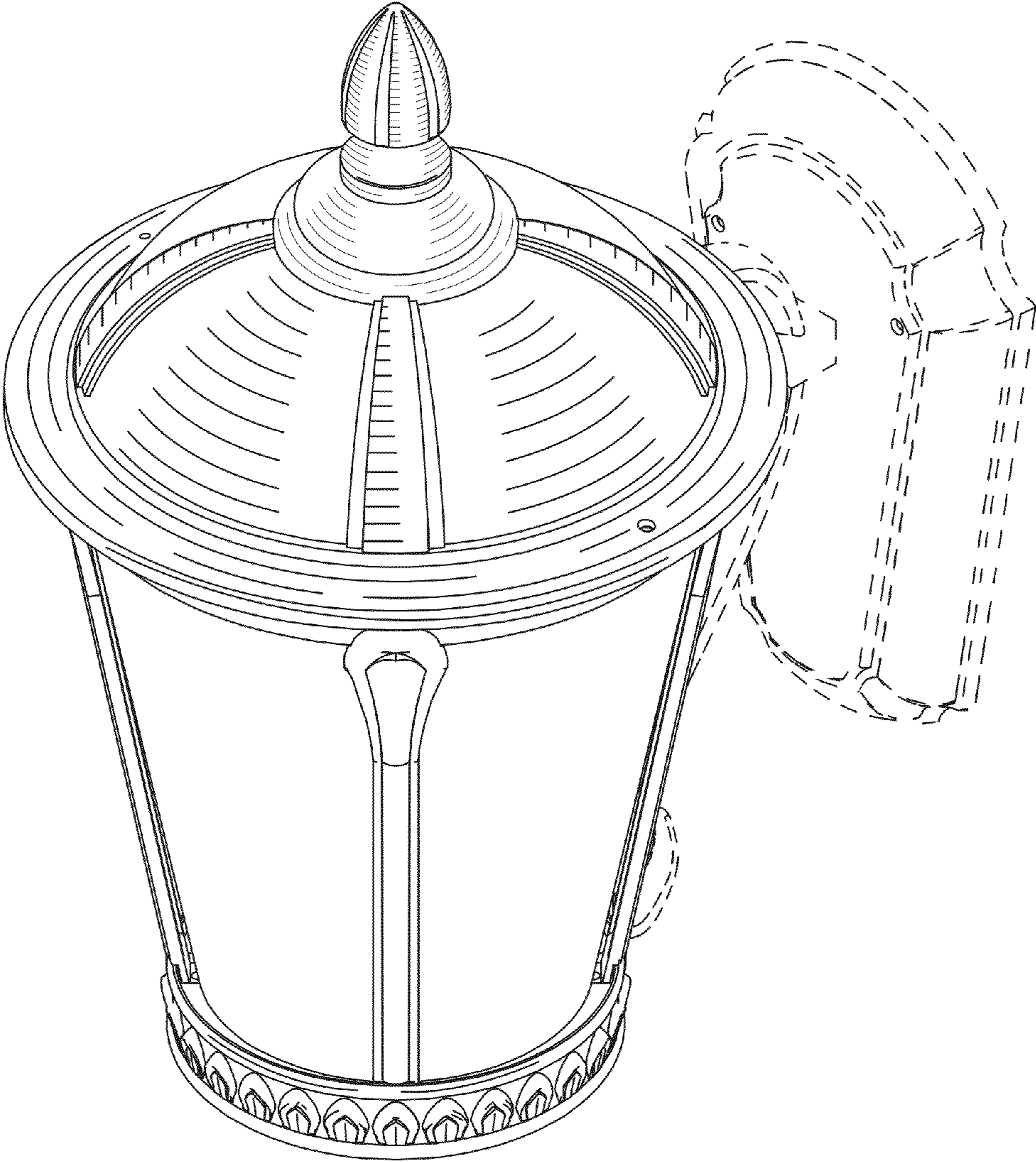


FIG. 2

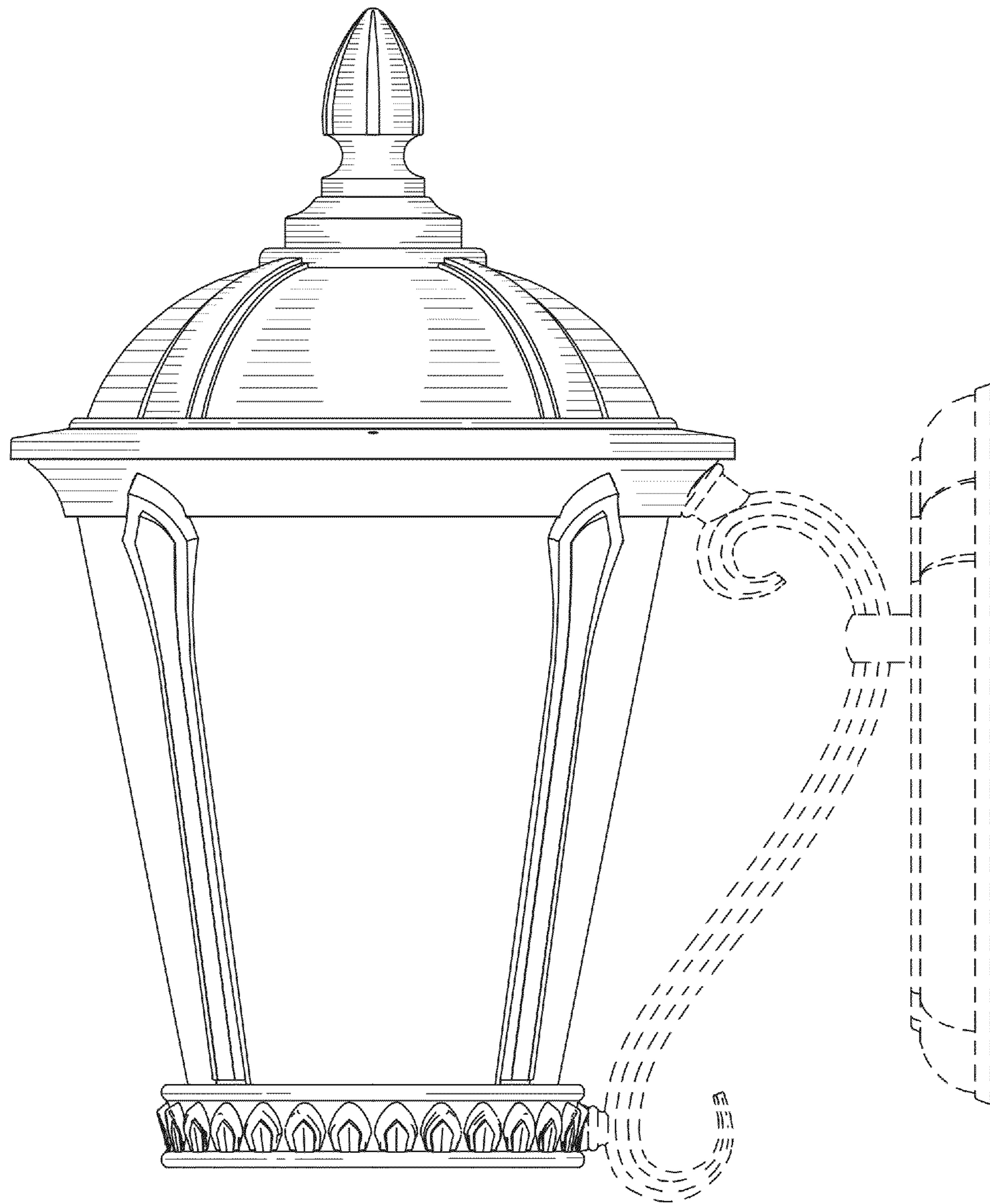


FIG. 3

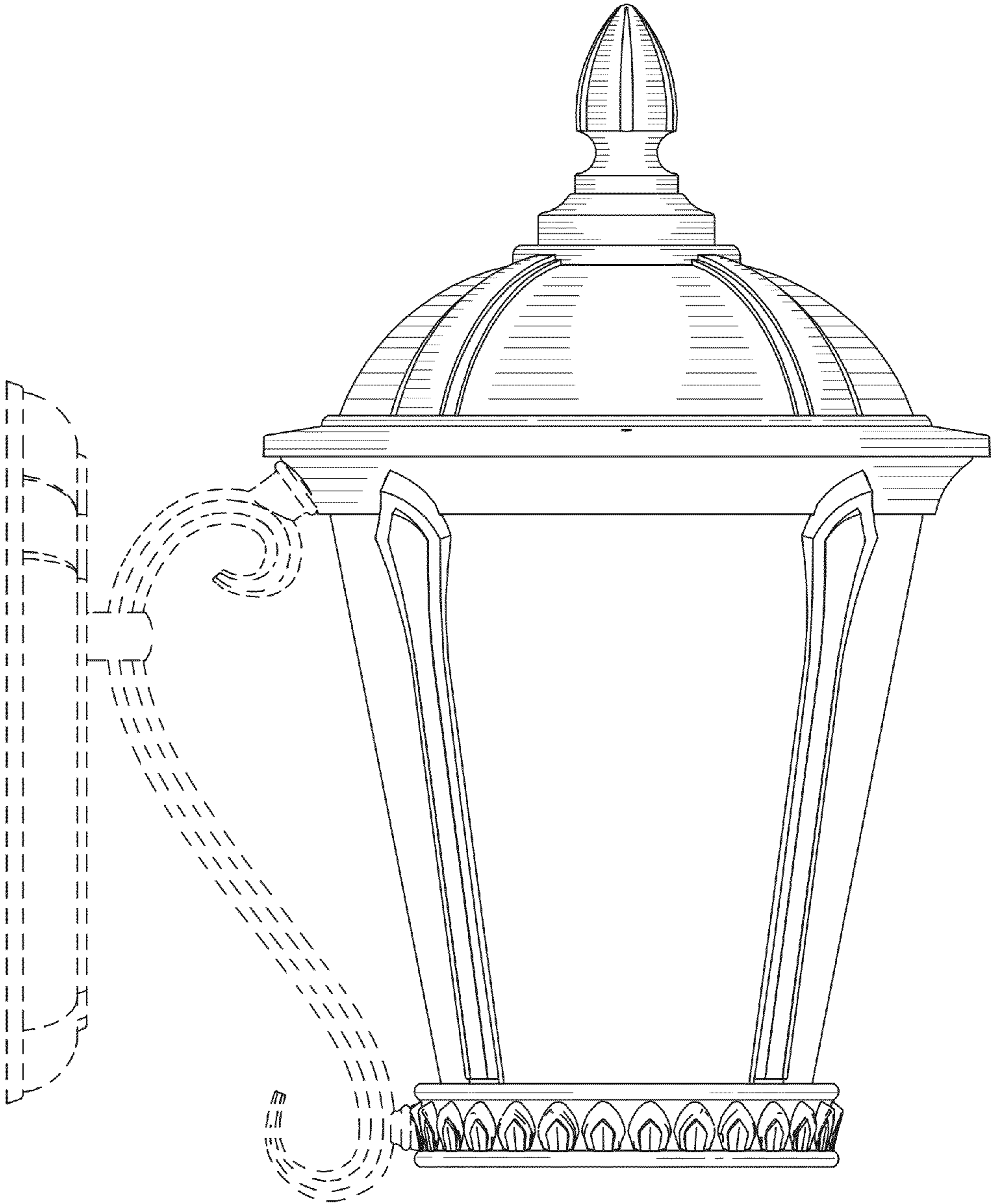


FIG. 4

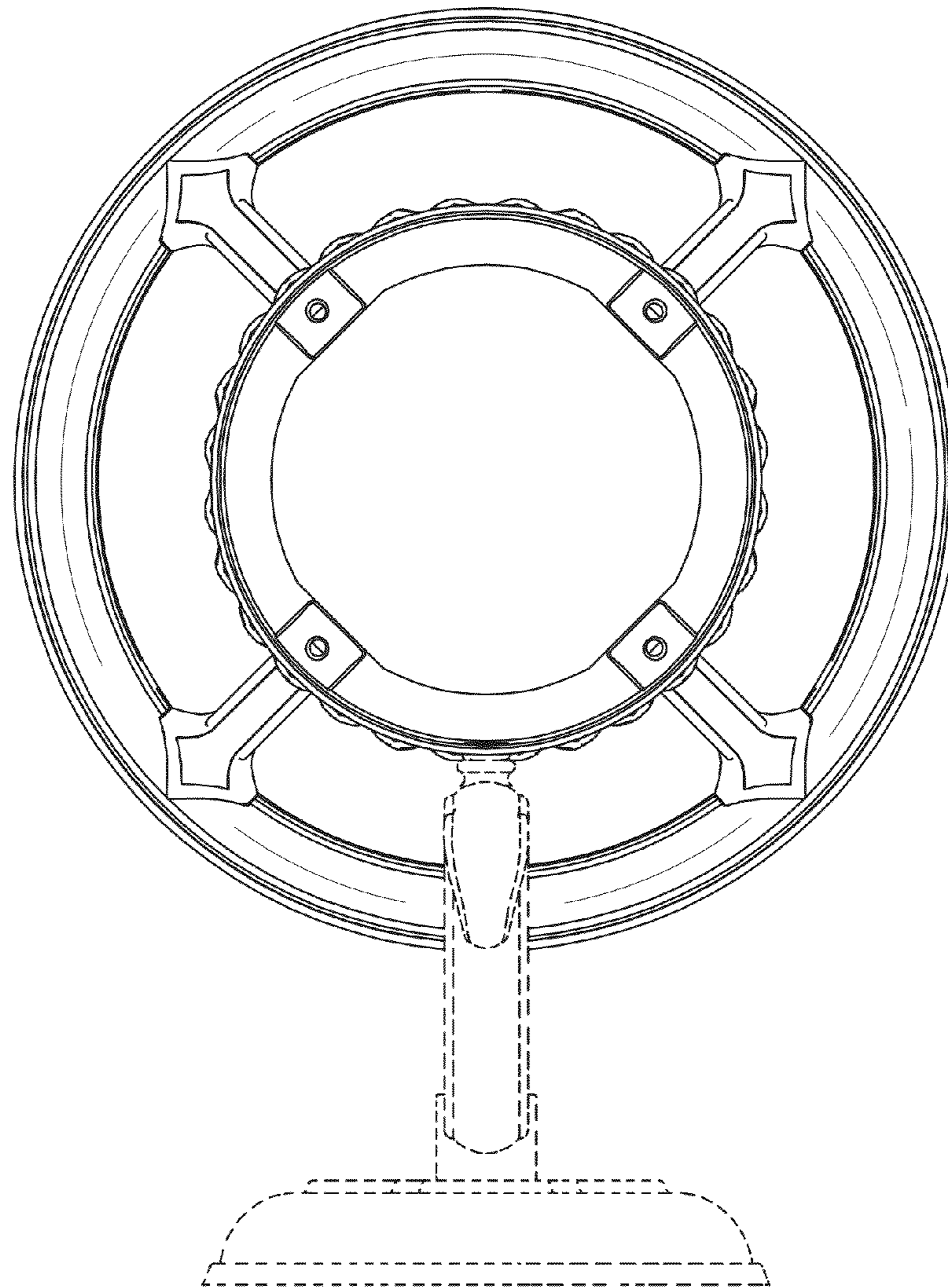


FIG. 5

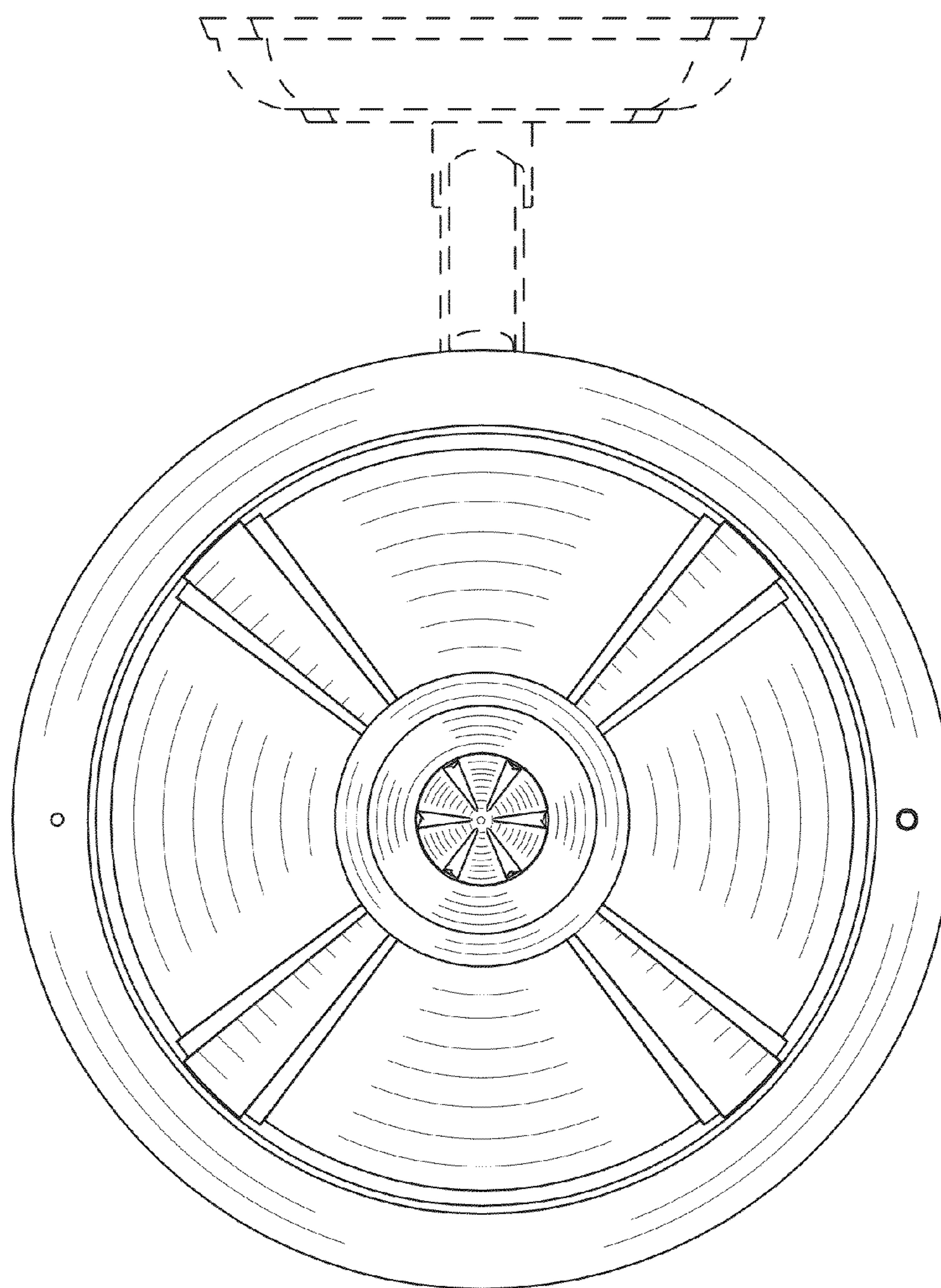


FIG. 6

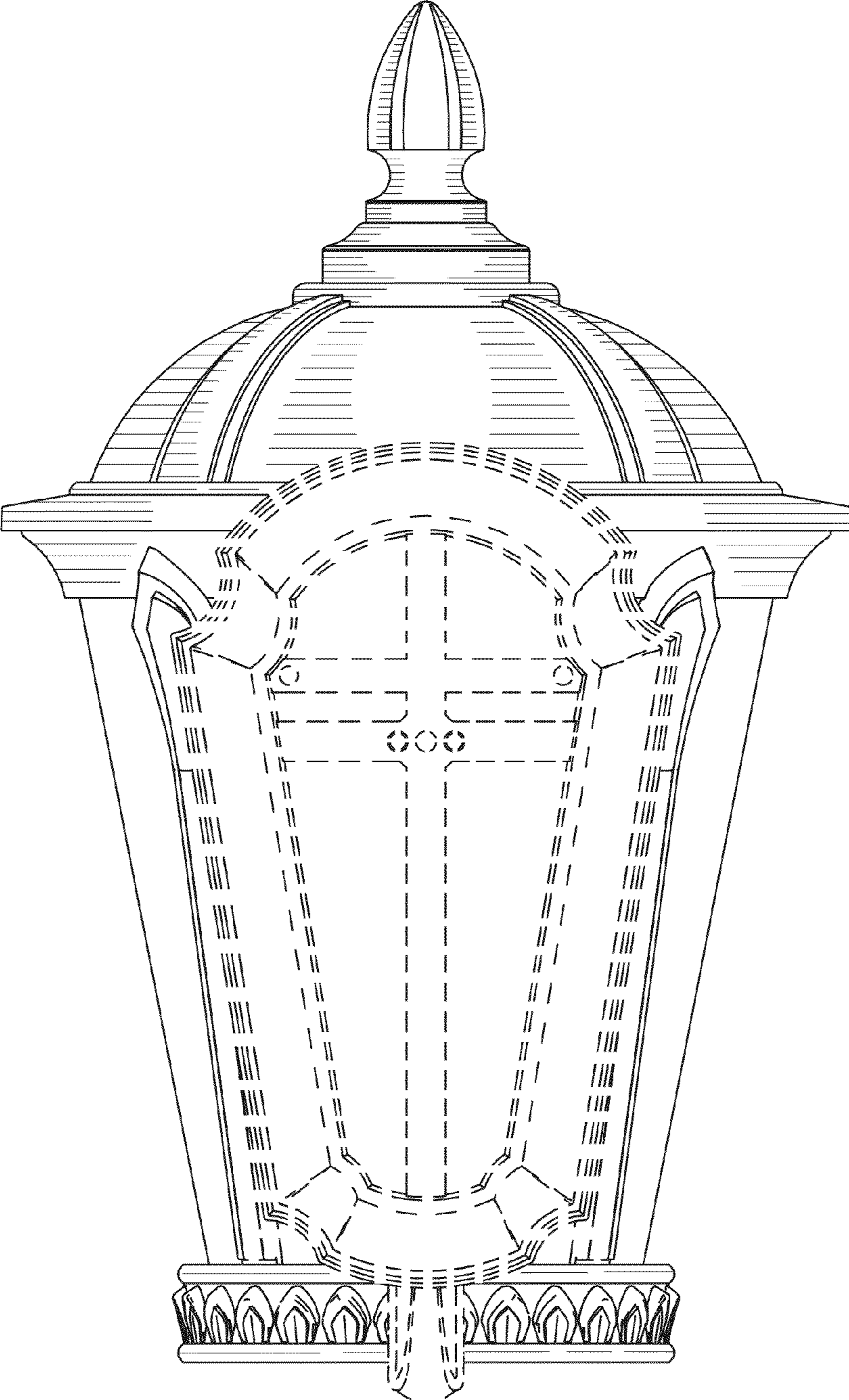


FIG. 7

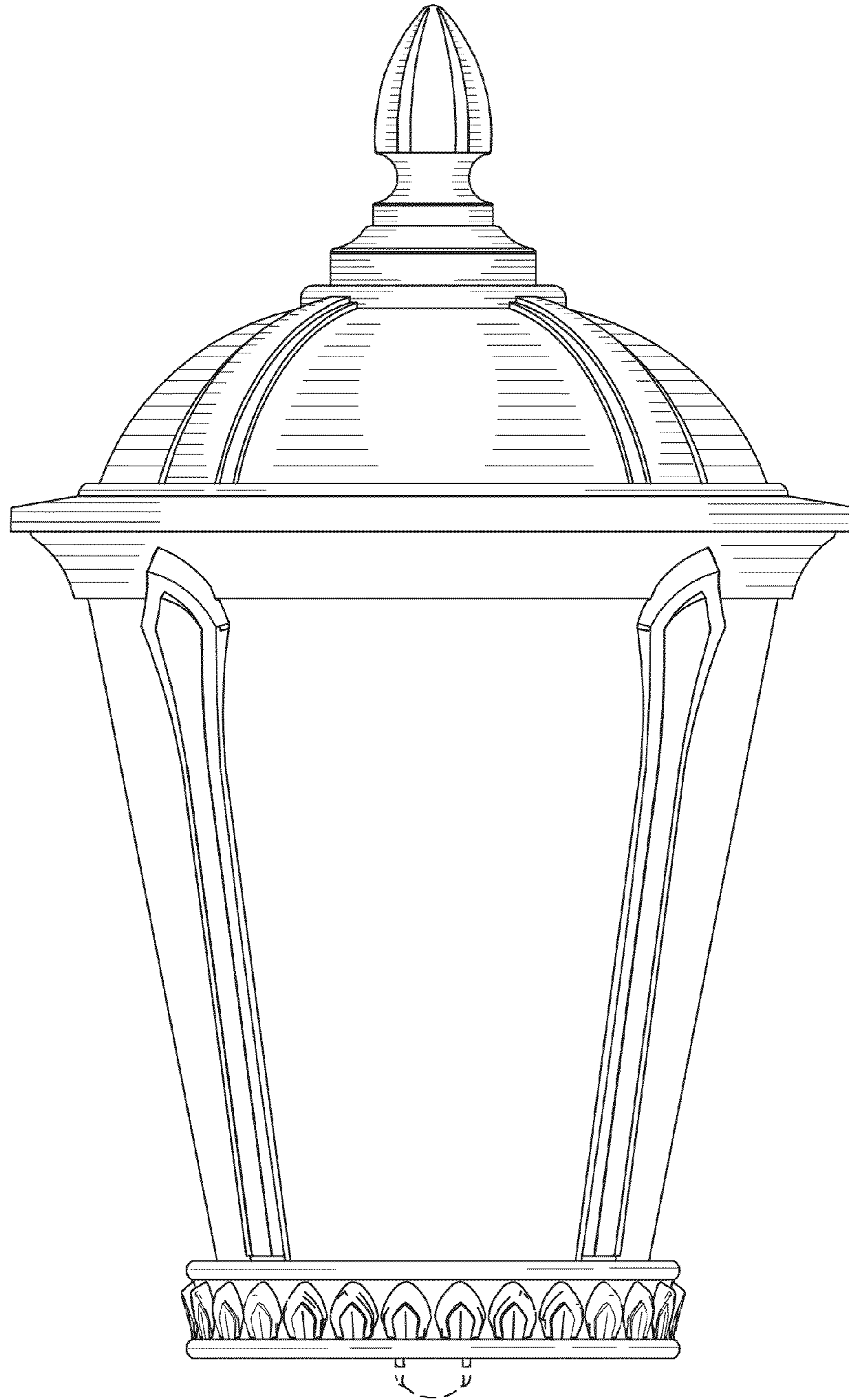


FIG. 8