



US00D693953S

(12) **United States Design Patent**
Yang

(10) **Patent No.:** **US D693,953 S**

(45) **Date of Patent:** **** Nov. 19, 2013**

(54) **DECORATIVE LANTERN**

(71) Applicant: **Derek Yang**, Hacienda Hts, CA (US)

(72) Inventor: **Derek Yang**, Hacienda Hts, CA (US)

(**) Term: **14 Years**

(21) Appl. No.: **29/433,223**

(22) Filed: **Sep. 27, 2012**

(51) **LOC (9) Cl.** **26-03**

(52) **U.S. Cl.**
USPC **D26/85; D26/104**

(58) **Field of Classification Search**
USPC D26/40, 67, 68, 85, 87, 104, 118, 128;
362/147, 161, 163, 183, 350, 356, 363,
362/431, 432

See application file for complete search history.

(56) **References Cited**

U.S. PATENT DOCUMENTS

D63,263 S *	11/1923	Mohrmann	D26/85
D76,062 S *	8/1928	Shortt	D26/87
2,735,285 A *	2/1956	Ferleger	362/161
D563,016 S *	2/2008	Ho et al.	D26/67
D646,832 S *	10/2011	Chen	D26/85

D663,063 S *	7/2012	Yang	D26/67
D666,758 S *	9/2012	Ho et al.	D26/67
D676,588 S *	2/2013	Nankil	D26/67
D677,416 S *	3/2013	Chen	D26/67

* cited by examiner

Primary Examiner — Clare E Heflin

(74) *Attorney, Agent, or Firm* — Pai Patent & Trademark Law Firm; Chao-Chang David Pai

(57) **CLAIM**

The ornamental design for a decorative lantern, as shown and described.

DESCRIPTION

FIG. 1 is a perspective view of a decorative lantern, showing my new design;

FIG. 2 is a front elevational view thereof;

FIG. 3 is a rear elevational view thereof;

FIG. 4 is a left side elevational view thereof;

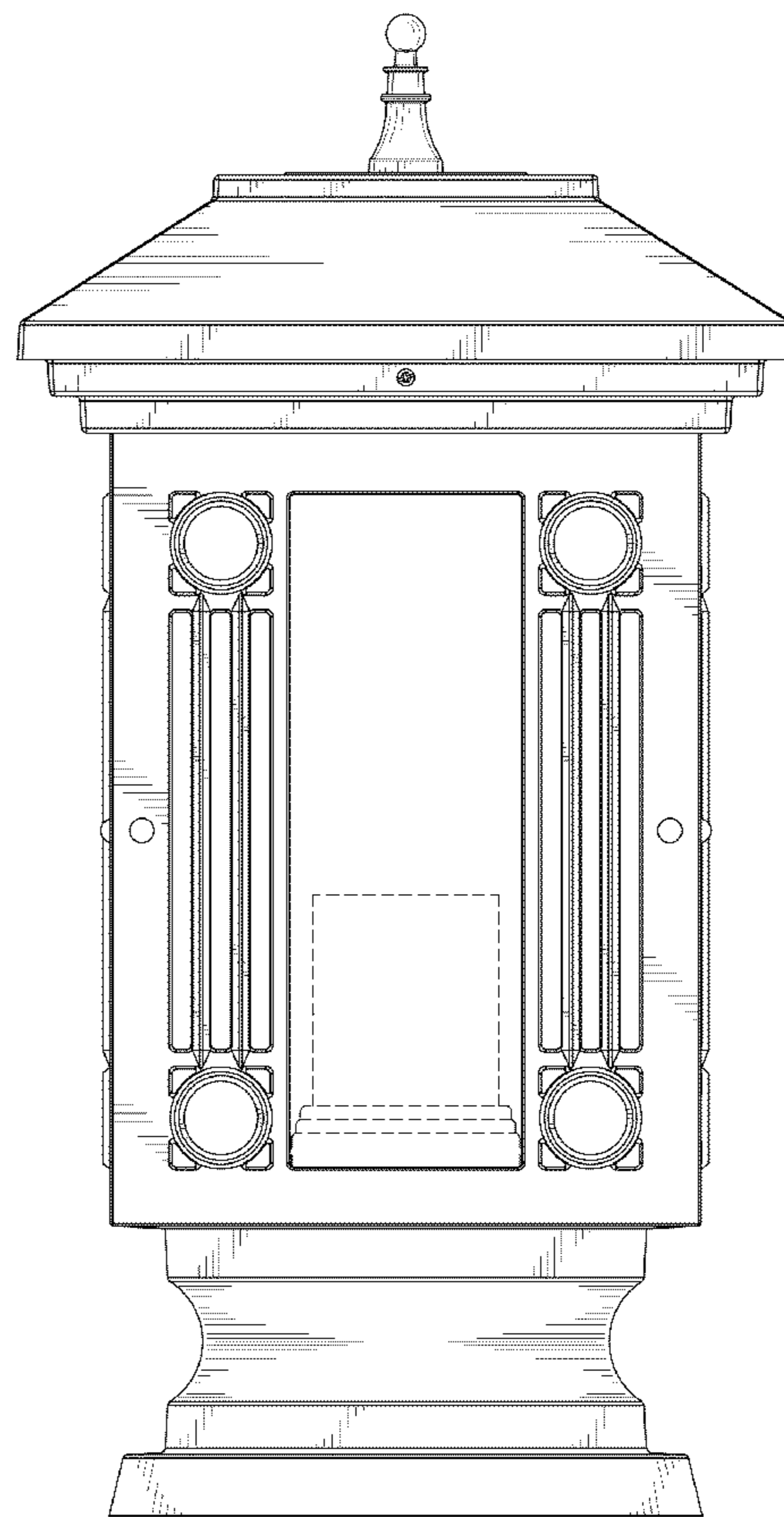
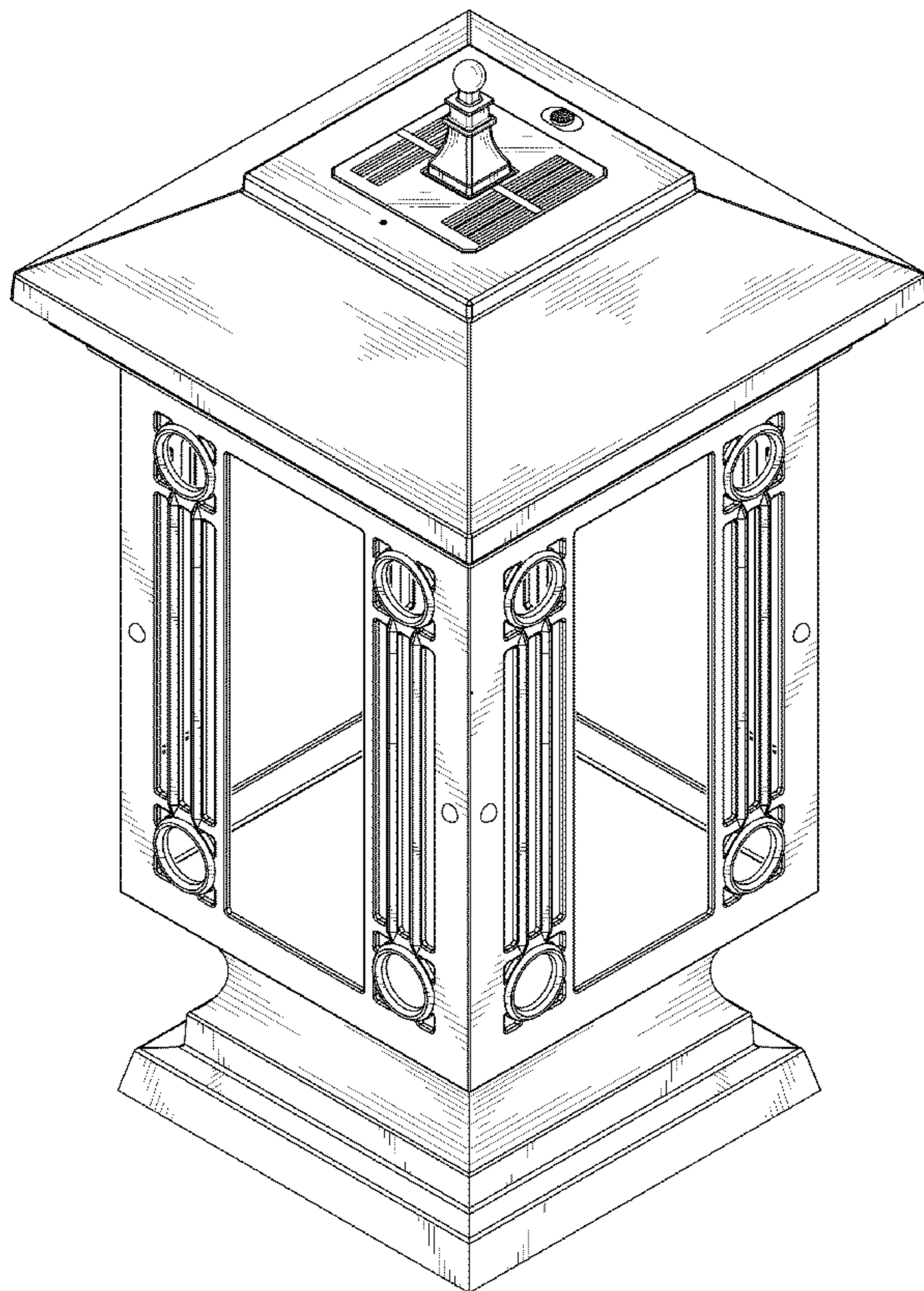
FIG. 5 is a right side elevational view thereof;

FIG. 6 is a top plan view thereof; and,

FIG. 7 is a bottom plan view thereof.

The broken lines showing the plastic shade and support in FIGS. 2-5 and 7 are included for illustrative purposes and form no part of the claimed design.

1 Claim, 7 Drawing Sheets



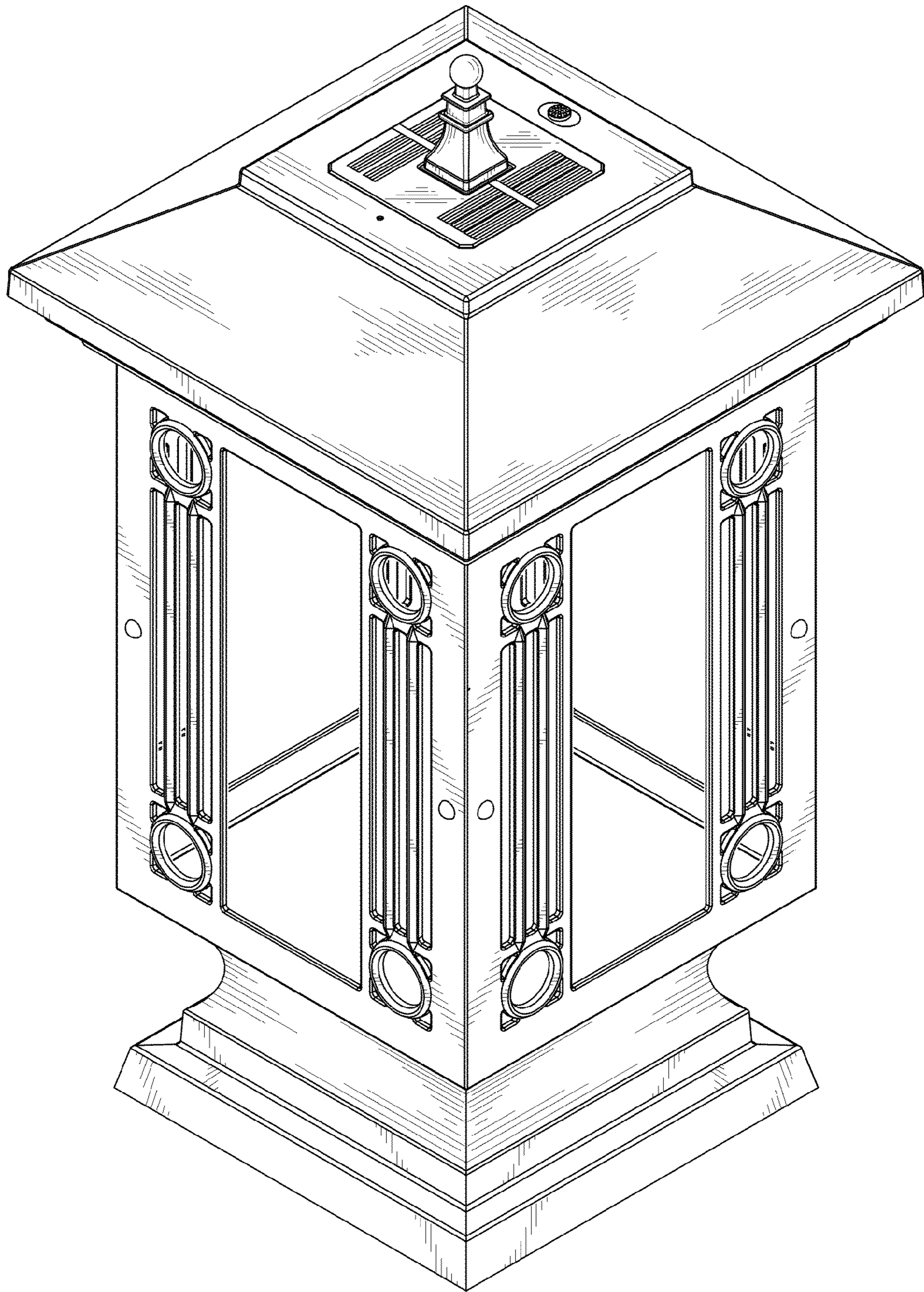


FIG. 1

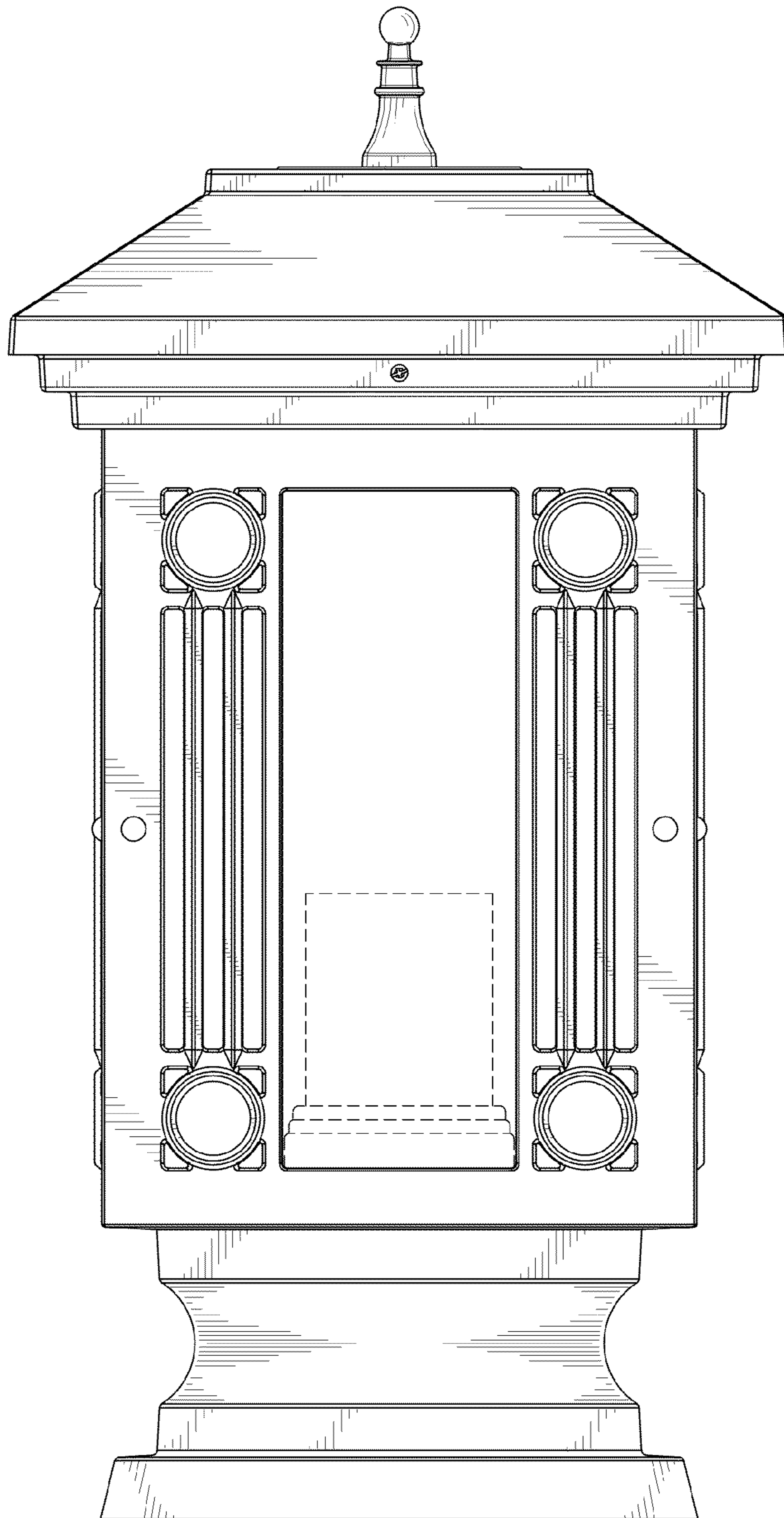


FIG. 2

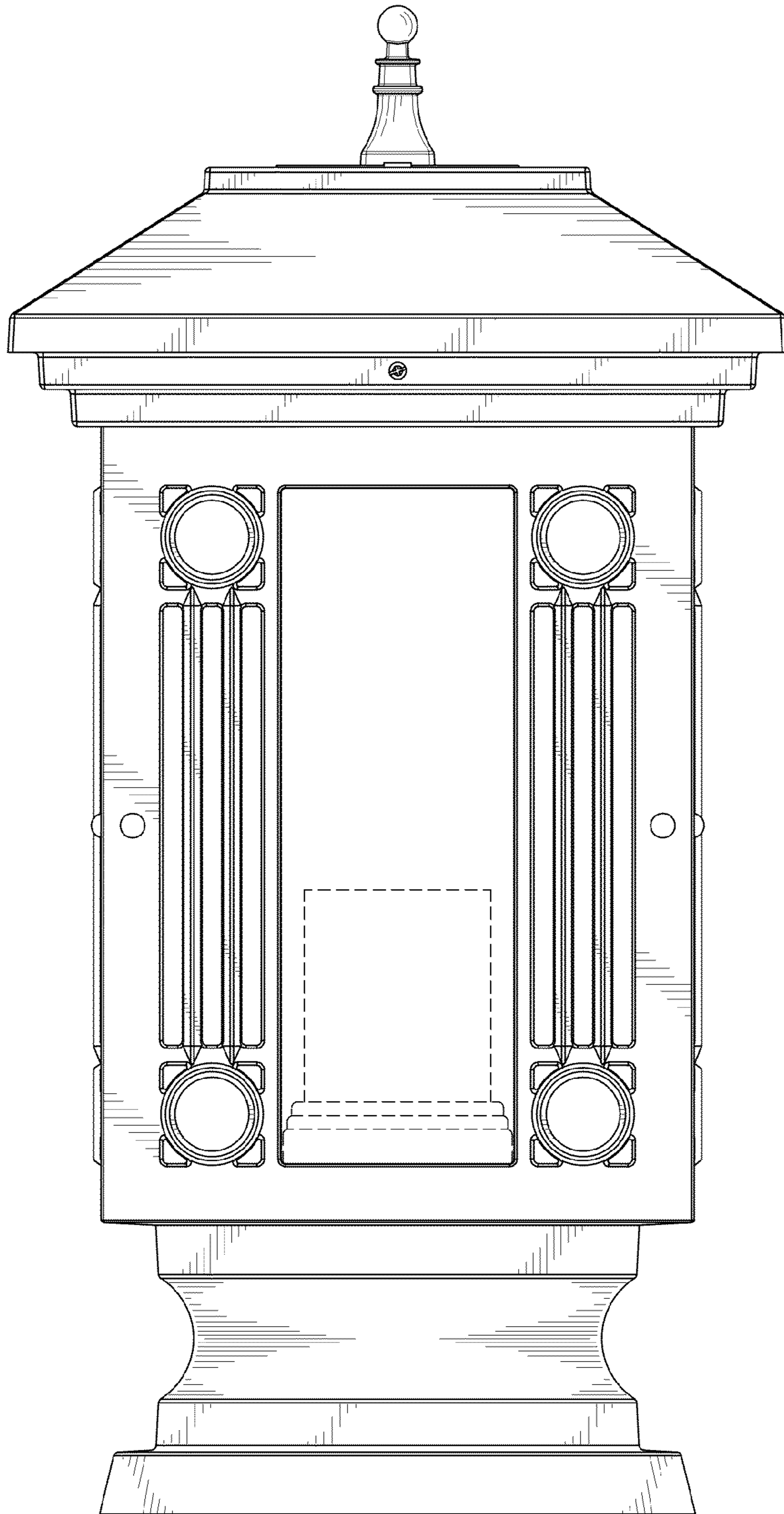


FIG. 3

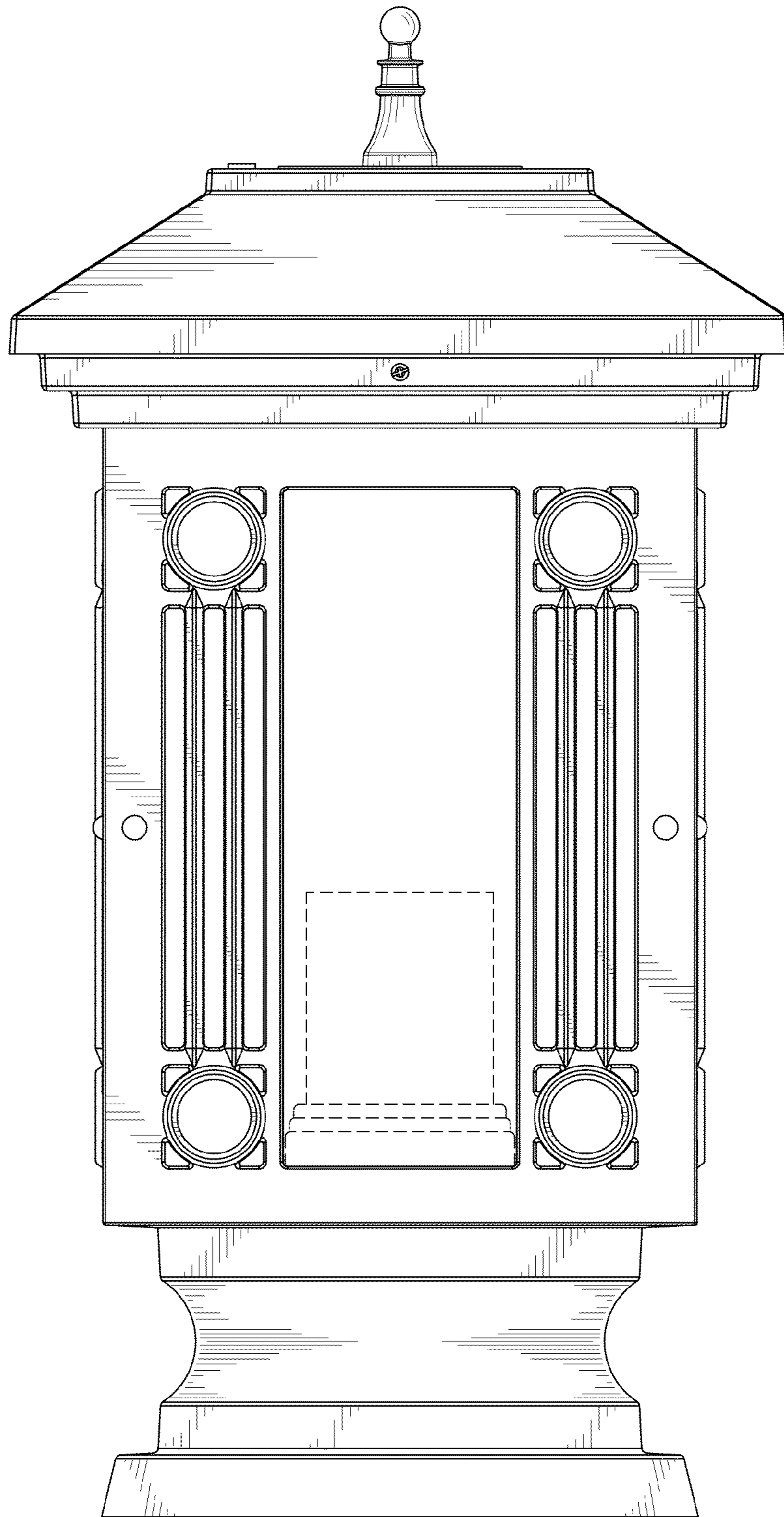


FIG. 4

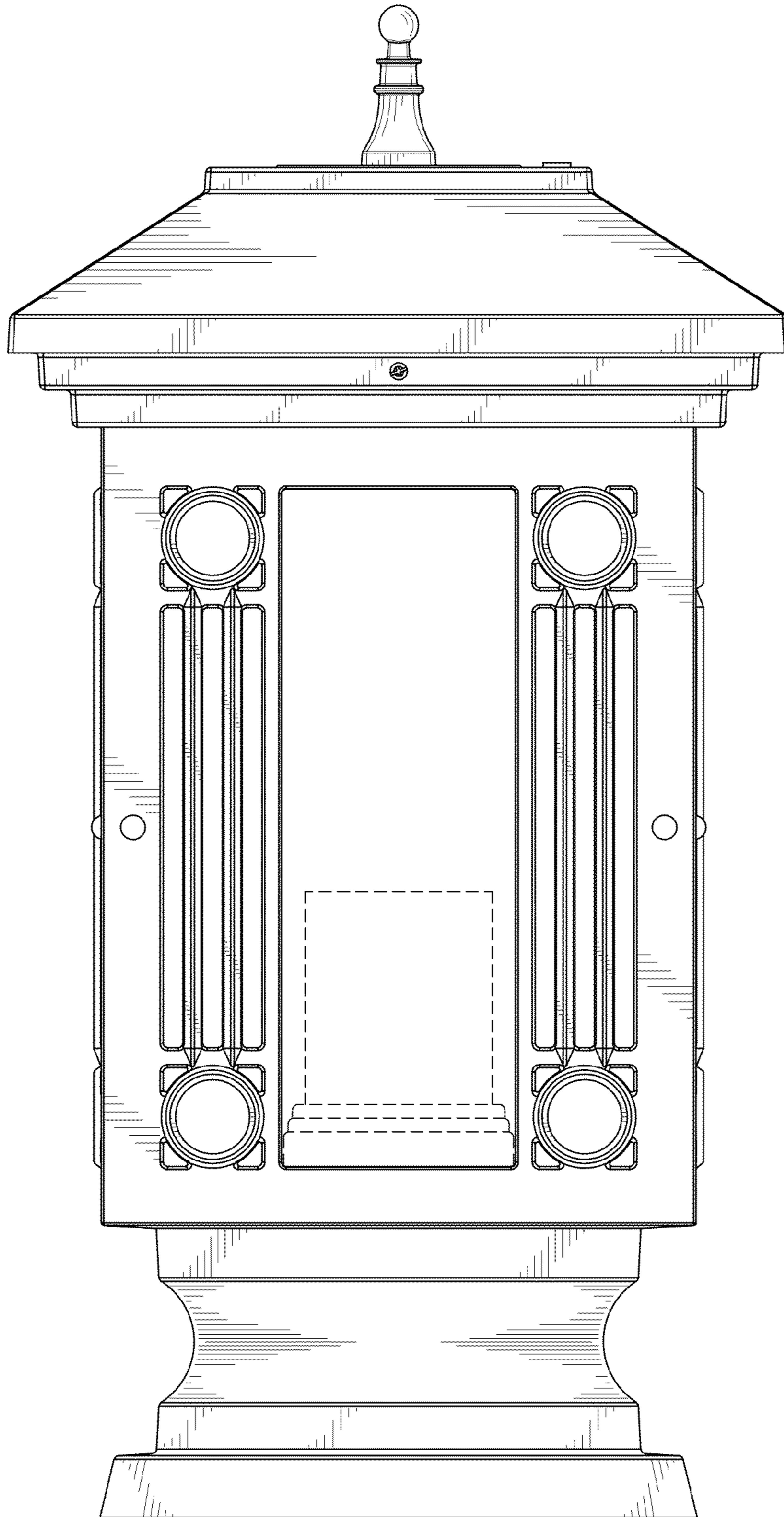


FIG. 5

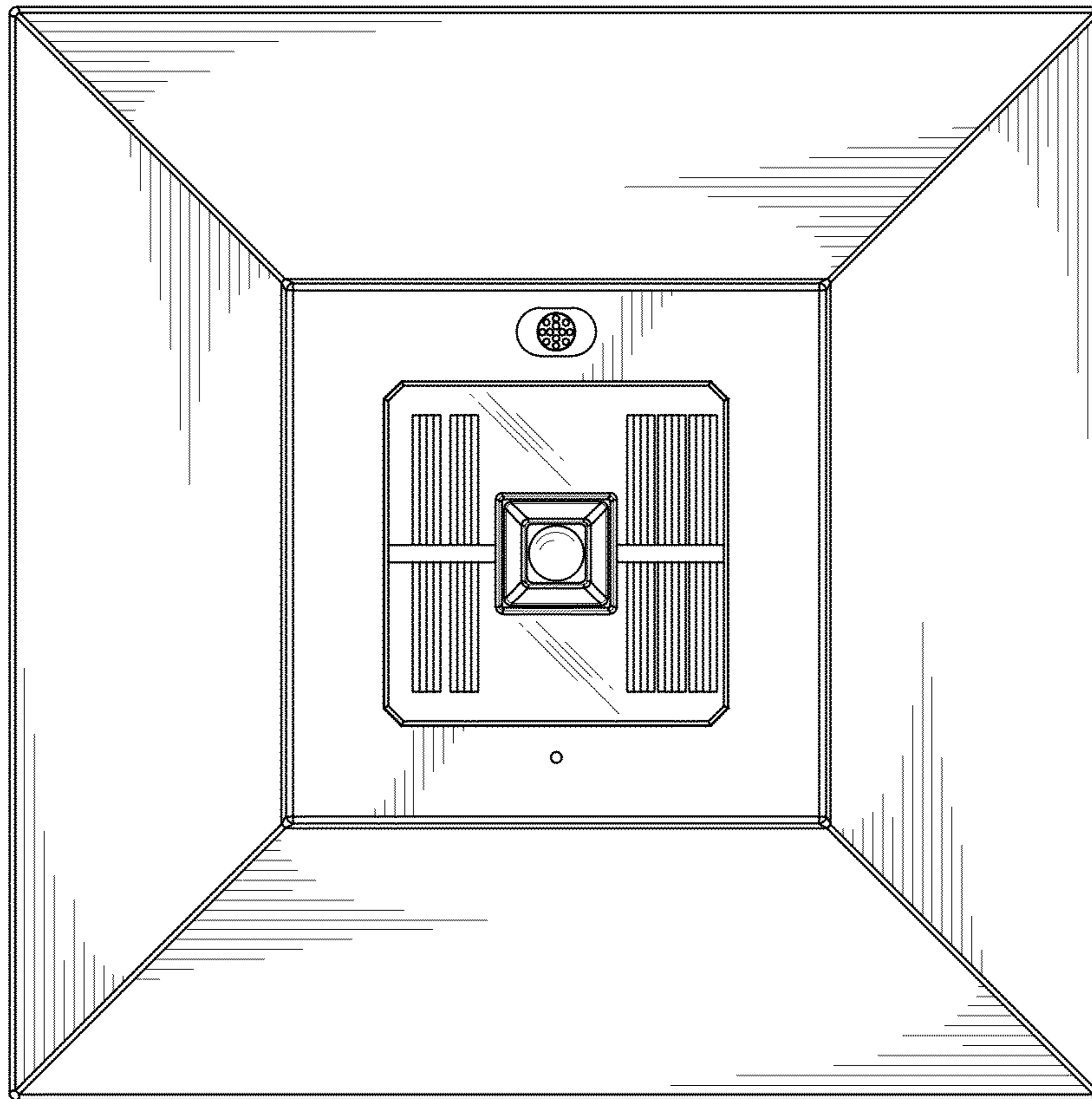


FIG. 6

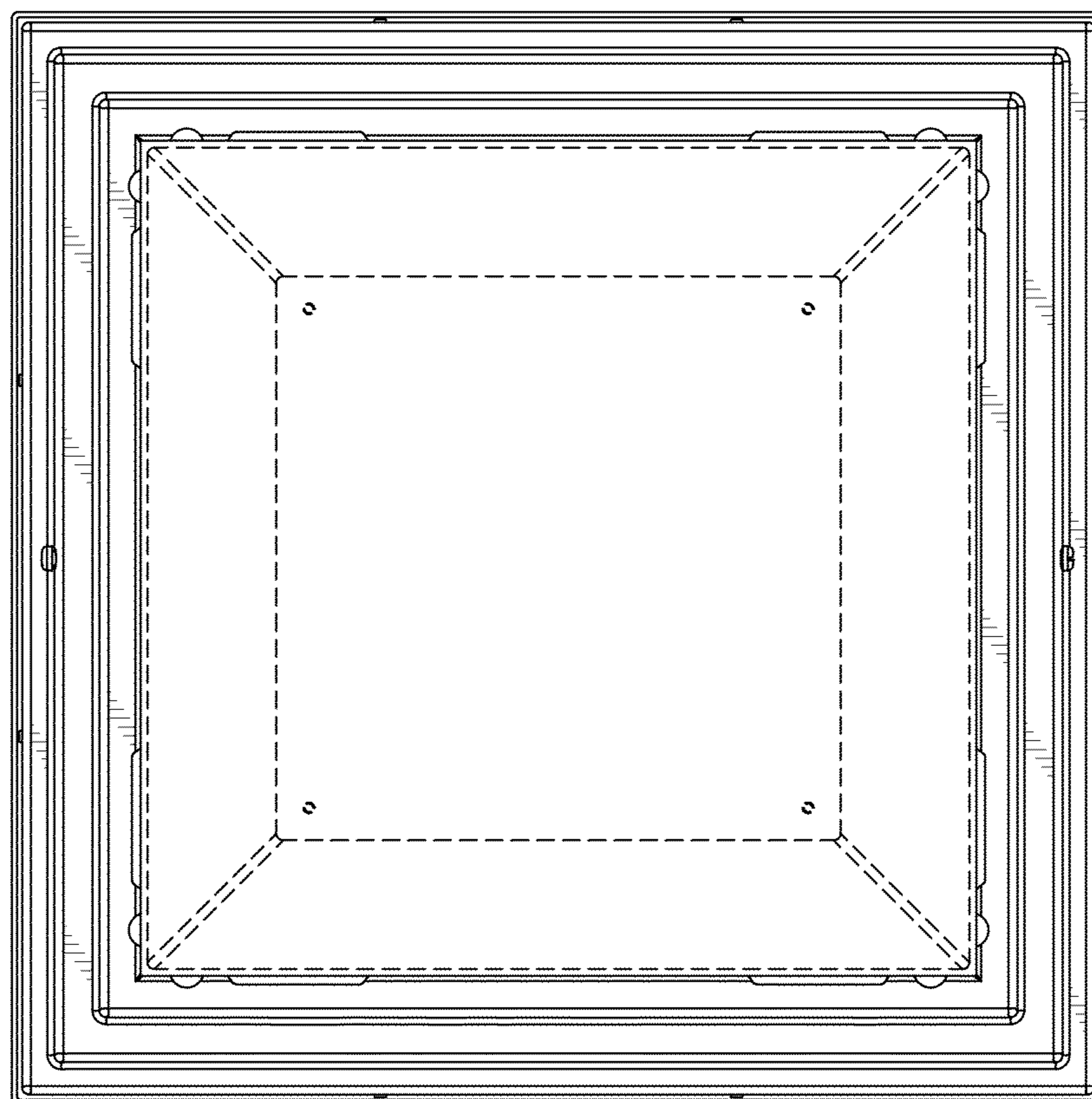


FIG. 7