



US00D693952S

(12) **United States Design Patent**
Soni

(10) **Patent No.:** **US D693,952 S**

(45) **Date of Patent:** **** Nov. 19, 2013**

(54) **TROFFER LIGHTING FIXTURE**

(75) Inventor: **Vimal Soni**, Mumbai (IN)

(73) Assignee: **Photoquip India Ltd.**, Mumbai (IN)

(**) Term: **14 Years**

(21) Appl. No.: **29/417,421**

(22) Filed: **Apr. 3, 2012**

(30) **Foreign Application Priority Data**

Mar. 16, 2012 (IN) 243913

(51) **LOC (9) Cl.** **26-05**

(52) **U.S. Cl.**
USPC **D26/74**

(58) **Field of Classification Search**
USPC D26/74, 113, 118, 119, 120, 122, 138,
D26/141, 24, 58, 59, 67, 72, 75, 76, 77, 78,
D26/79, 80, 81, 82, 83, 84, 85, 86, 88, 89,
D26/90, 91, 93, 105; 362/364, 365, 366,
362/145, 146, 147, 148, 150, 151, 152, 153,
362/153.1, 217.06, 217.07, 219, 294,
362/296.01, 311.07, 311.09

See application file for complete search history.

(56) **References Cited**

U.S. PATENT DOCUMENTS

D201,544 S * 7/1965 Brooks D25/56
D373,212 S * 8/1996 Clark D26/74

D400,281 S * 10/1998 Kerr D26/74
D452,905 S * 1/2002 Peng D23/370
D533,956 S * 12/2006 Vladika D26/118
D564,694 S * 3/2008 Southern, Jr. D26/85
D592,348 S * 5/2009 Trott et al. D26/74
D614,338 S * 4/2010 Sieczkowski et al. D26/74
D628,733 S * 12/2010 Cobb et al. D26/74
D634,055 S * 3/2011 Hokazono et al. D26/89
D639,984 S * 6/2011 Stolte et al. D26/26
D646,829 S * 10/2011 Pan D26/74
D663,881 S * 7/2012 Janssen D26/74

* cited by examiner

Primary Examiner — Angela J Lee

(74) *Attorney, Agent, or Firm* — Notaro, Michalos & Zaccaria P.C.

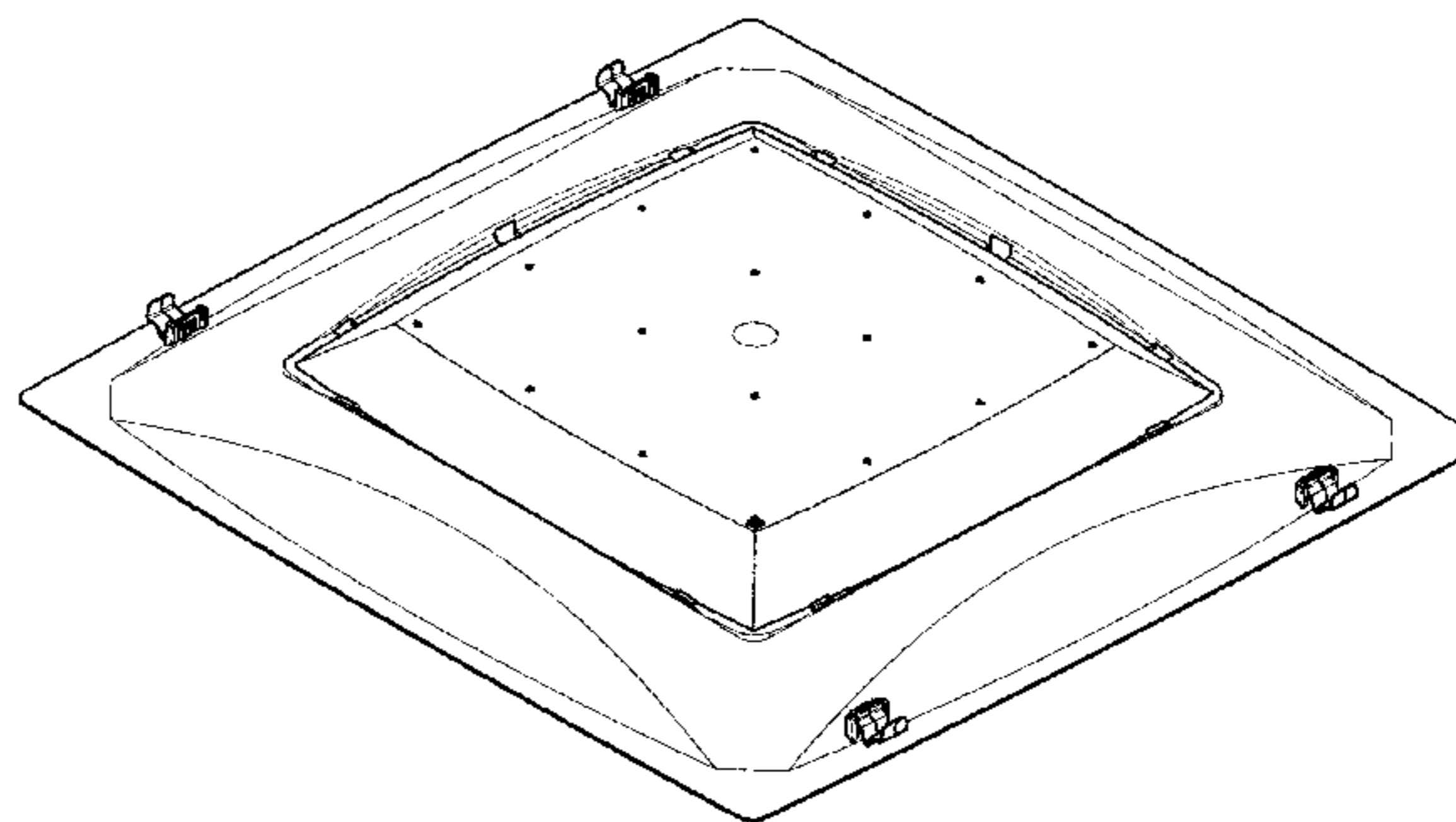
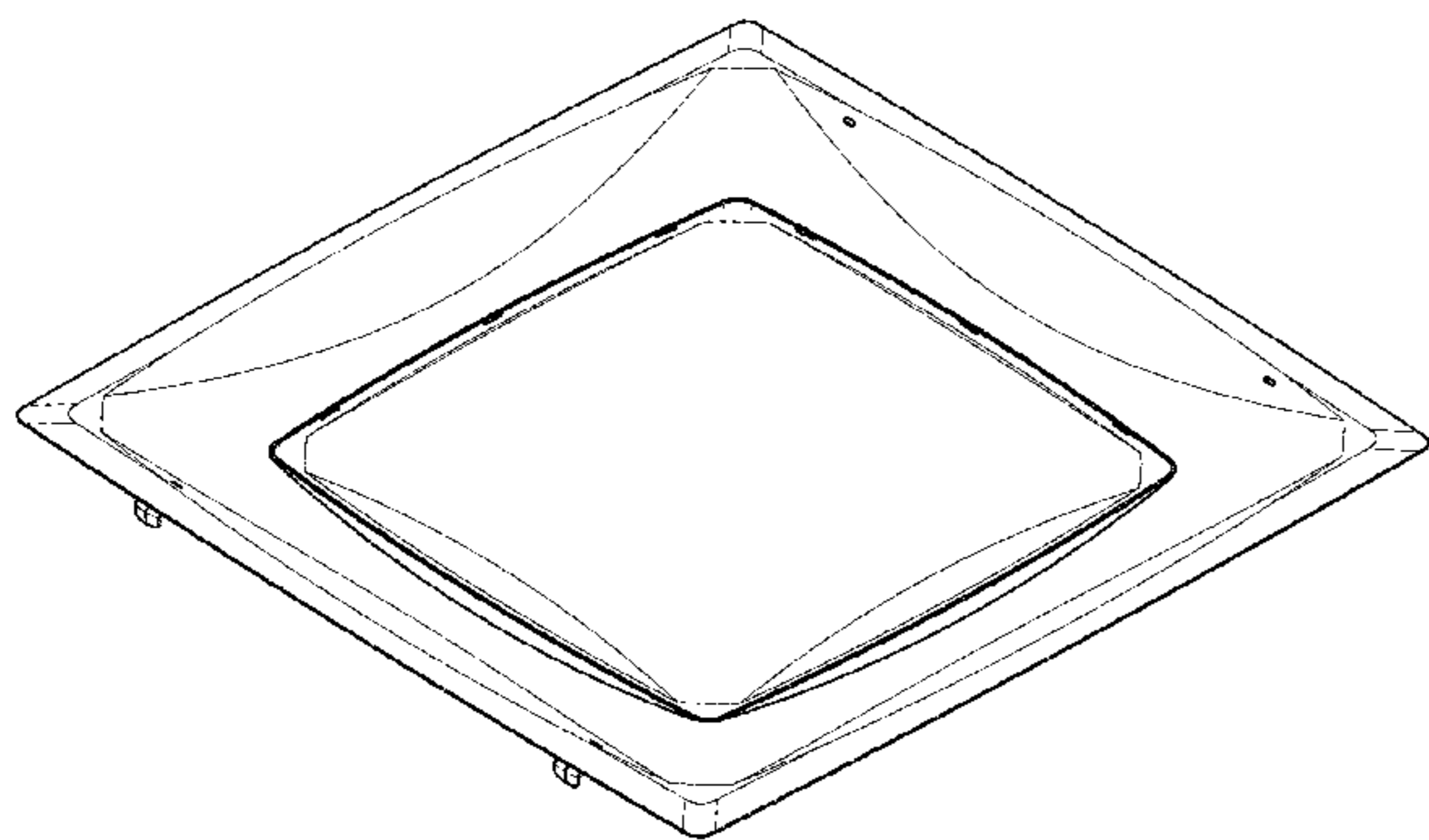
(57) **CLAIM**

The ornamental design for a troffer lighting fixture, as shown and described.

DESCRIPTION

FIG. 1 is a top plan view of a lighting fixture showing my new design therefor;
FIG. 2 is a front elevational view thereof;
FIG. 3 is a side elevational view thereof;
FIG. 4 is a bottom plan view thereof;
FIG. 5 is a top right side perspective view thereof;
FIG. 6 is a top left side perspective view thereof;
FIG. 7 is a bottom front perspective view thereof; and,
FIG. 8 is a bottom side perspective view thereof.

1 Claim, 4 Drawing Sheets



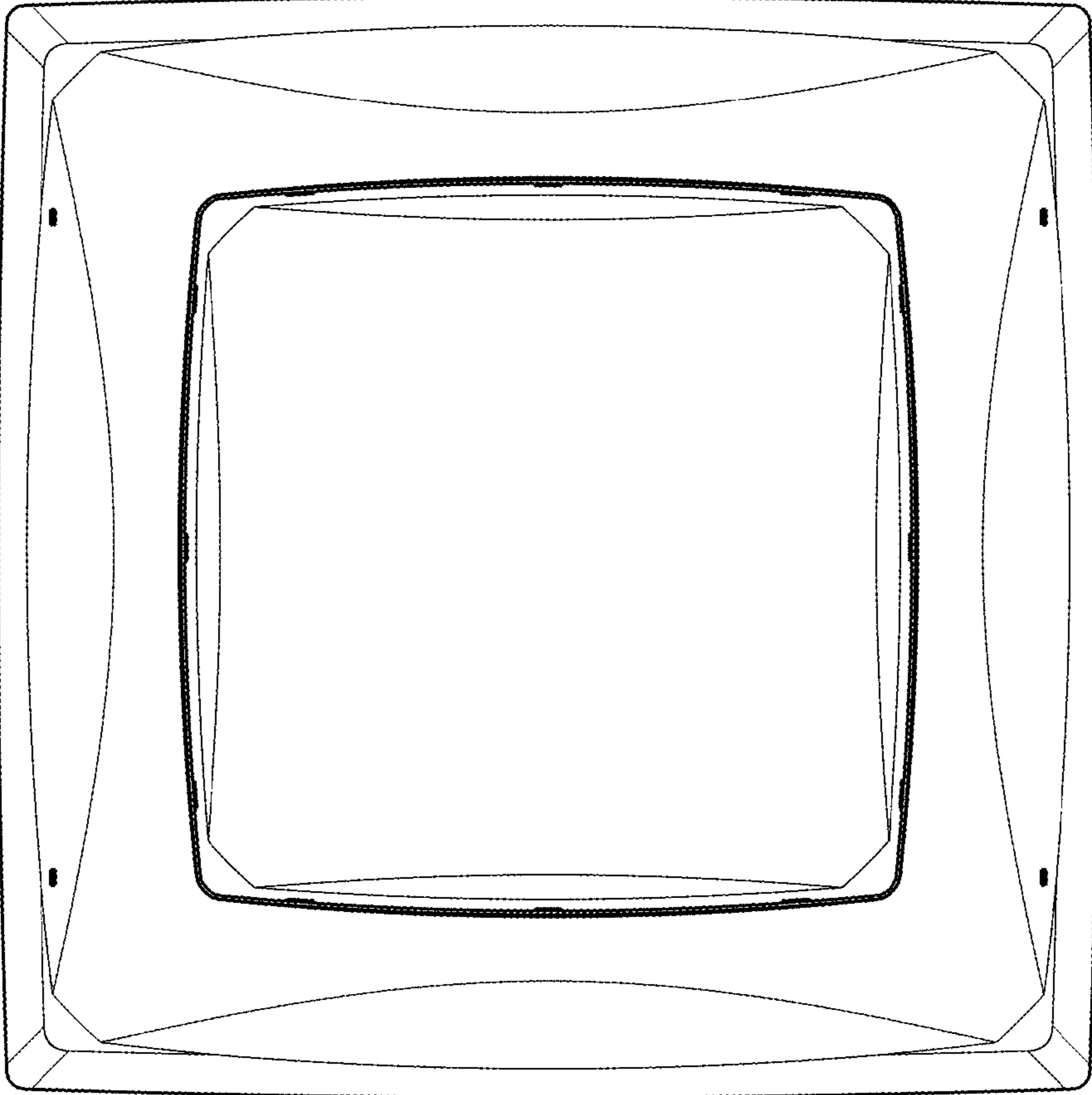


FIG. 1



FIG. 2

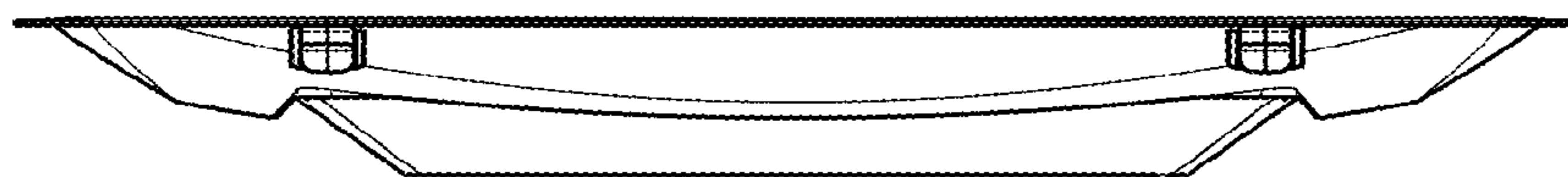


FIG. 3

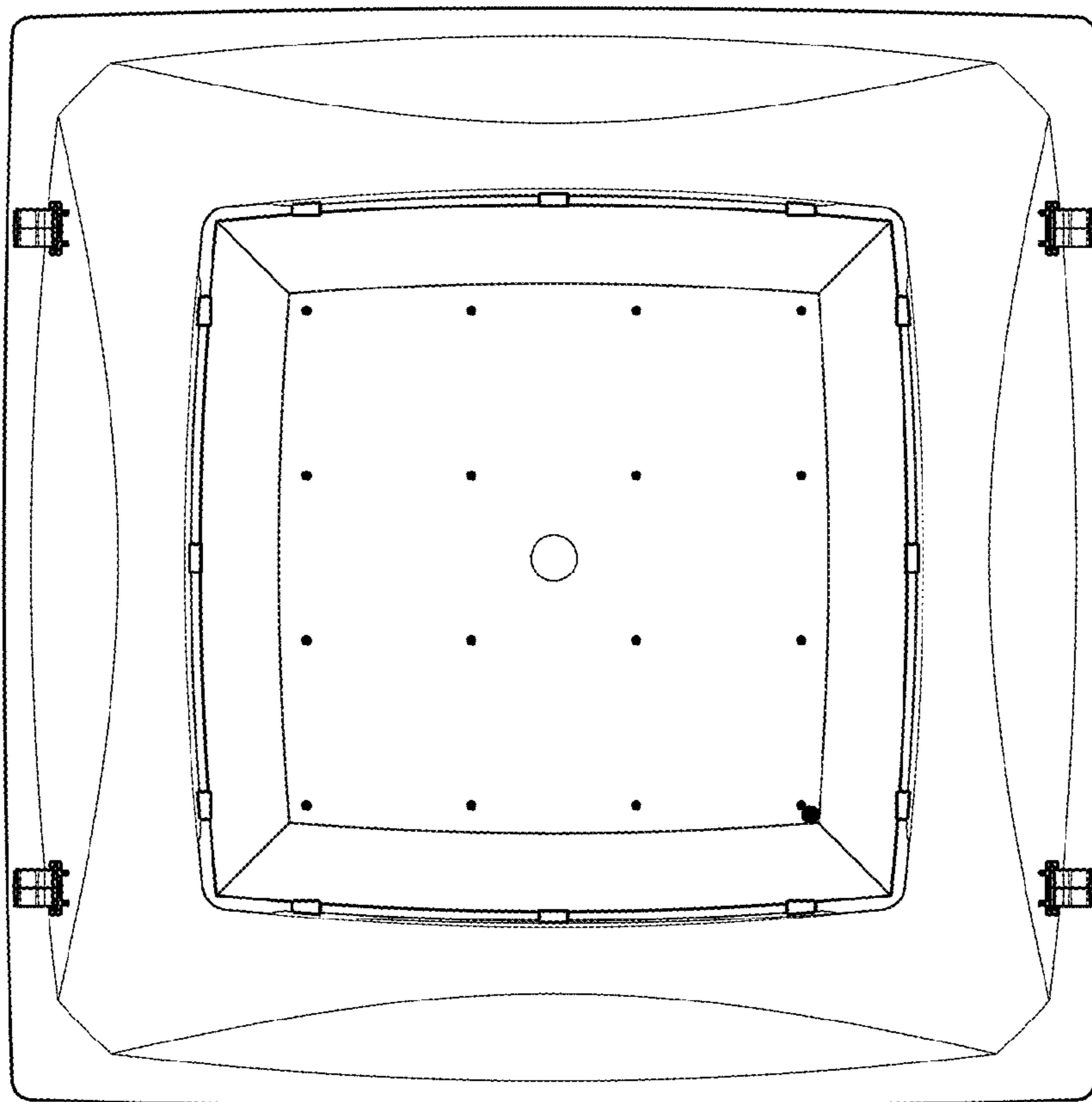


FIG. 4

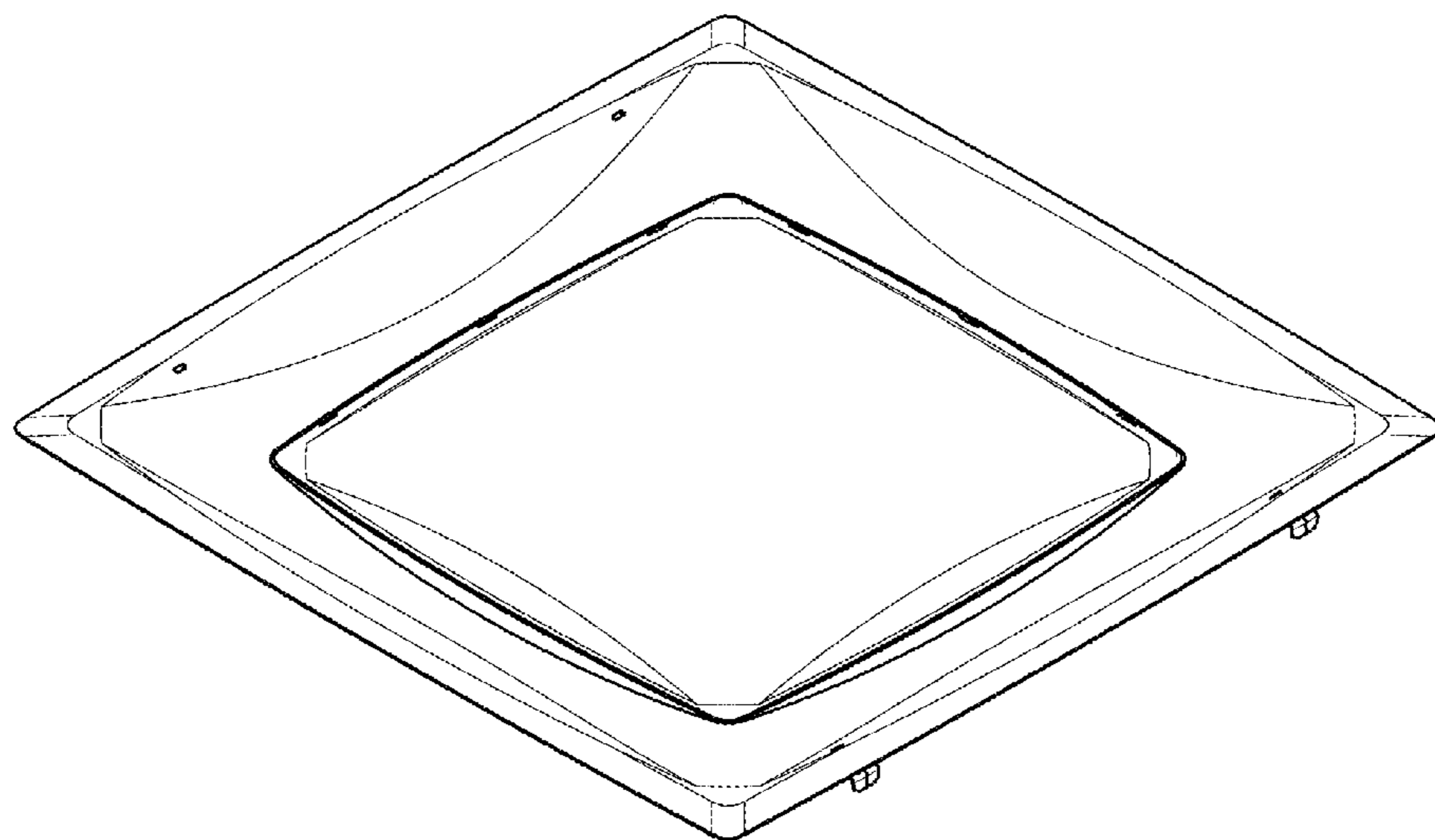


FIG. 5

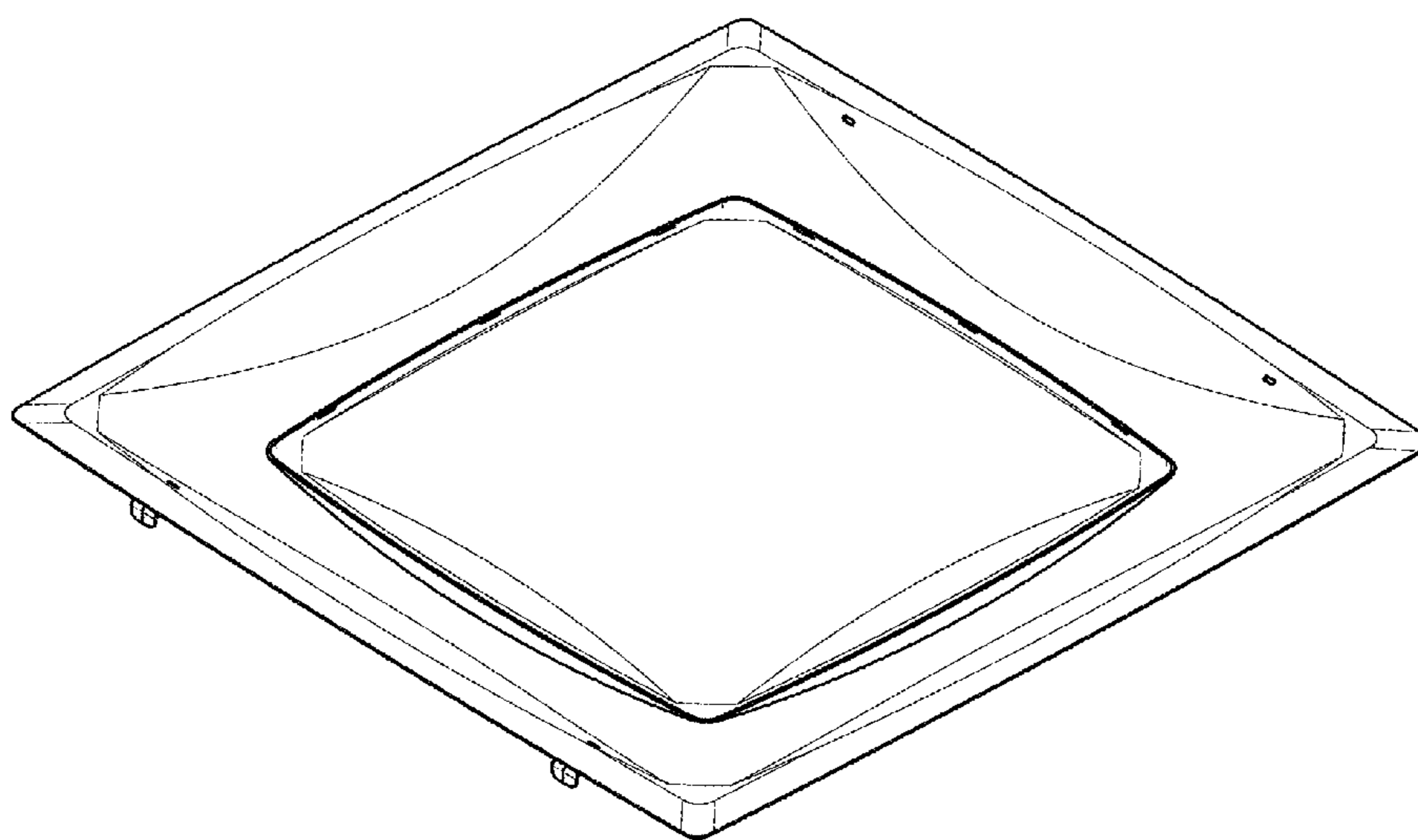


FIG. 6

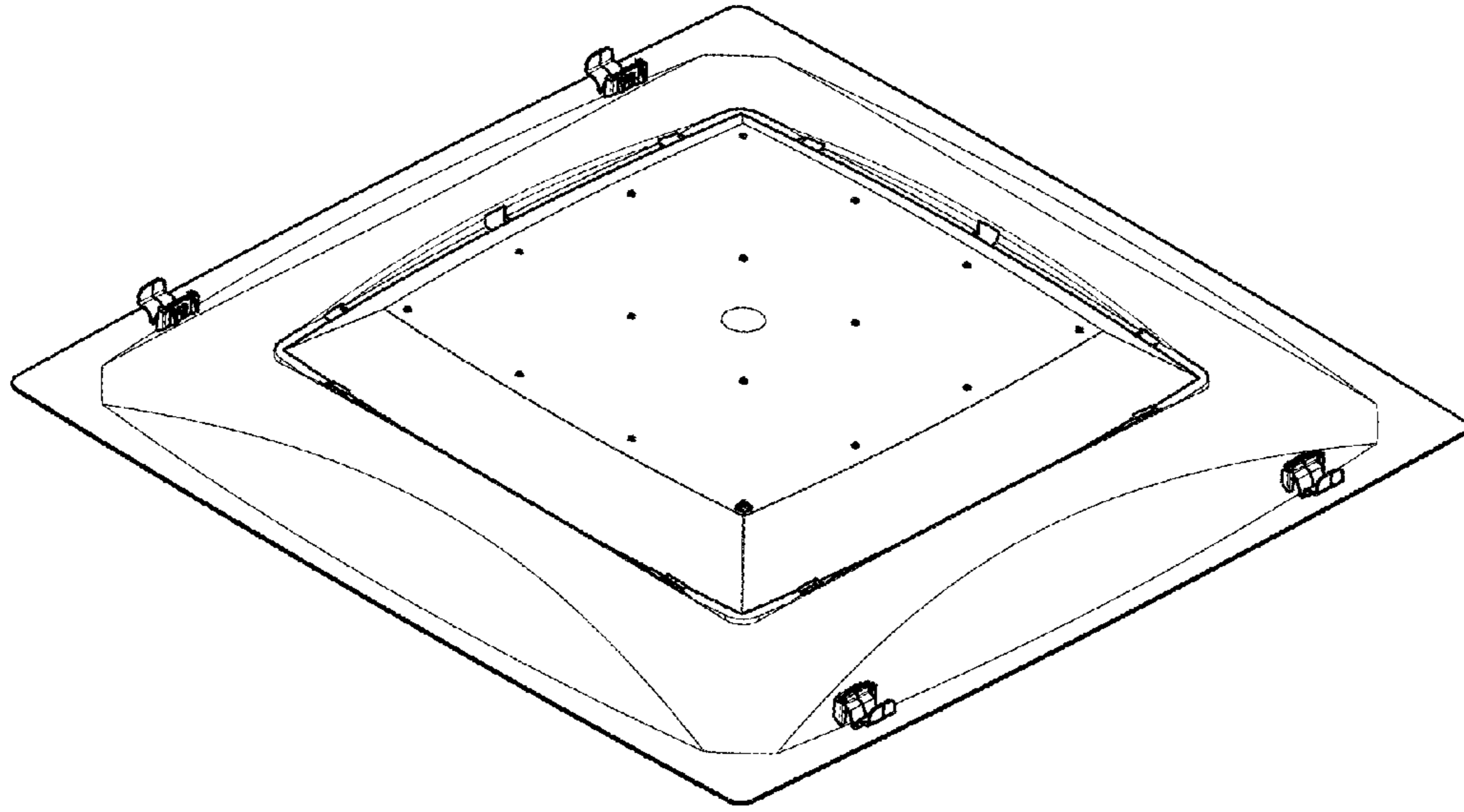


FIG. 7

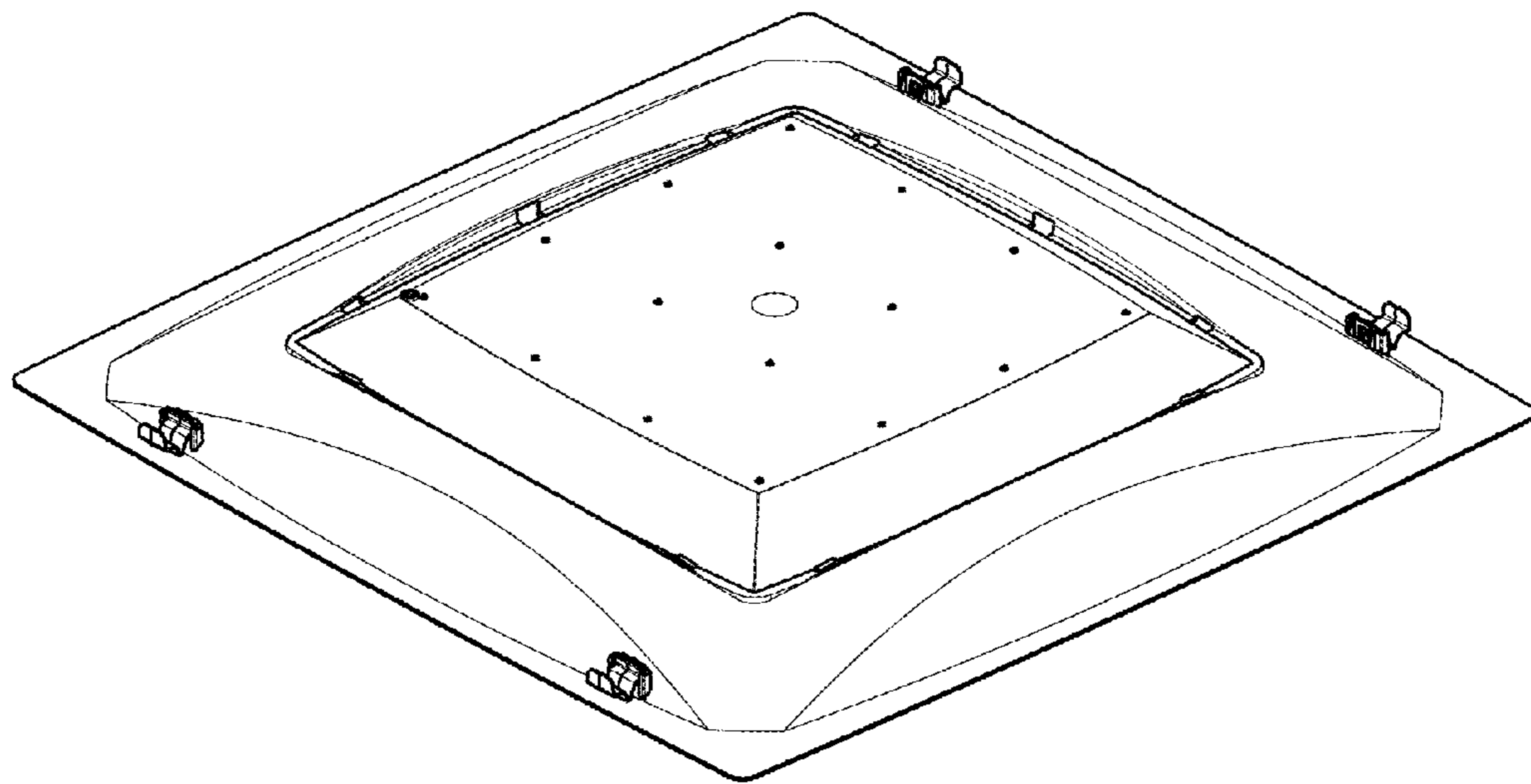


FIG. 8