



US00D693951S

(12) **United States Design Patent**
Rugendyke et al.

(10) **Patent No.:** **US D693,951 S**

(45) **Date of Patent:** **** Nov. 19, 2013**

(54) **LIGHTING DEVICE**

(75) Inventors: **Timothy J. Rugendyke**, Woy Woy (AU); **Samuel J. Weise**, Maitland Vale (AU); **John R. Brown**, Mosman (AU)

(73) Assignee: **Eveready Battery Co, Inc.**, St. Louis, MO (US)

(**) Term: **14 Years**

(21) Appl. No.: **29/424,325**

(22) Filed: **Jun. 11, 2012**

(51) **LOC (9) Cl.** **26-02**

(52) **U.S. Cl.**
USPC **D26/46; D26/44**

(58) **Field of Classification Search**
USPC D26/37, 38, 42, 44, 46, 49; 362/157, 362/158, 183, 184, 194–196, 202–208
See application file for complete search history.

(56) **References Cited**

U.S. PATENT DOCUMENTS

D226,022 S *	1/1973	Holtzman	D10/112
D296,012 S *	5/1988	Petterson	D26/46
D311,067 S *	10/1990	Chabria	D26/46
D315,029 S *	2/1991	Kwan	D26/42
D324,430 S *	3/1992	Sharrah et al.	D26/46
D428,173 S *	7/2000	Lynch et al.	D26/42
D504,966 S *	5/2005	Osiecki et al.	D26/37
6,926,422 B2 *	8/2005	Bruwer et al.	362/157
D516,234 S *	2/2006	Holsinger et al.	D26/37
D520,161 S *	5/2006	Krieger et al.	D26/37
D546,489 S *	7/2007	Yuen	D26/42
7,296,909 B2 *	11/2007	Van Deursen et al.	362/199

D617,023 S *	6/2010	Rugendyke et al.	D26/46
D631,586 S *	1/2011	Li et al.	D26/37
D639,986 S *	6/2011	Wessel	D26/46
D675,357 S *	1/2013	Shi	D26/49
D676,993 S *	2/2013	Kotsis et al.	D26/46
2001/0020903 A1 *	9/2001	Wang	340/908

* cited by examiner

Primary Examiner — Ian Simmons

Assistant Examiner — Carissa C Fitts

(74) *Attorney, Agent, or Firm* — Russell H. Toye, Jr.

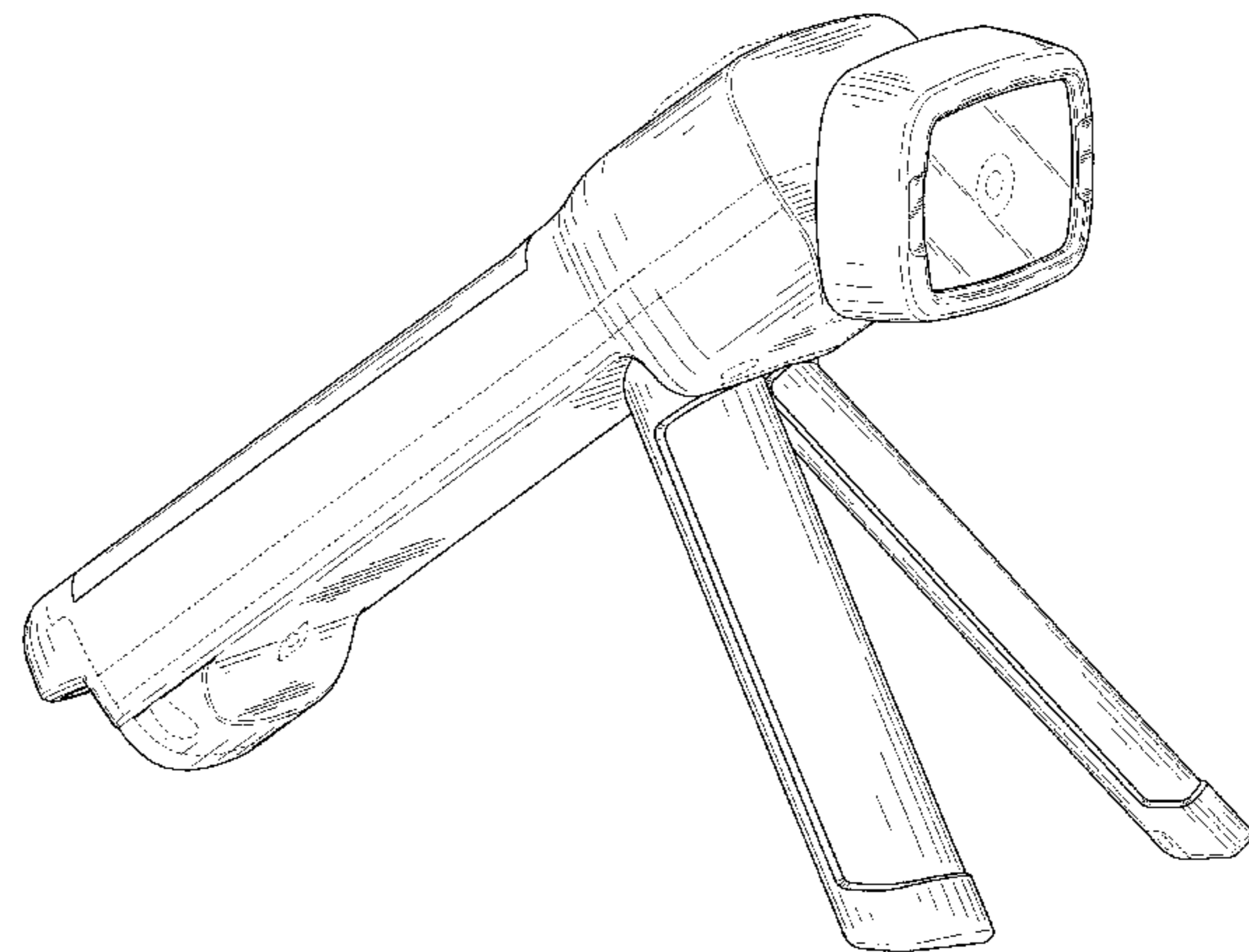
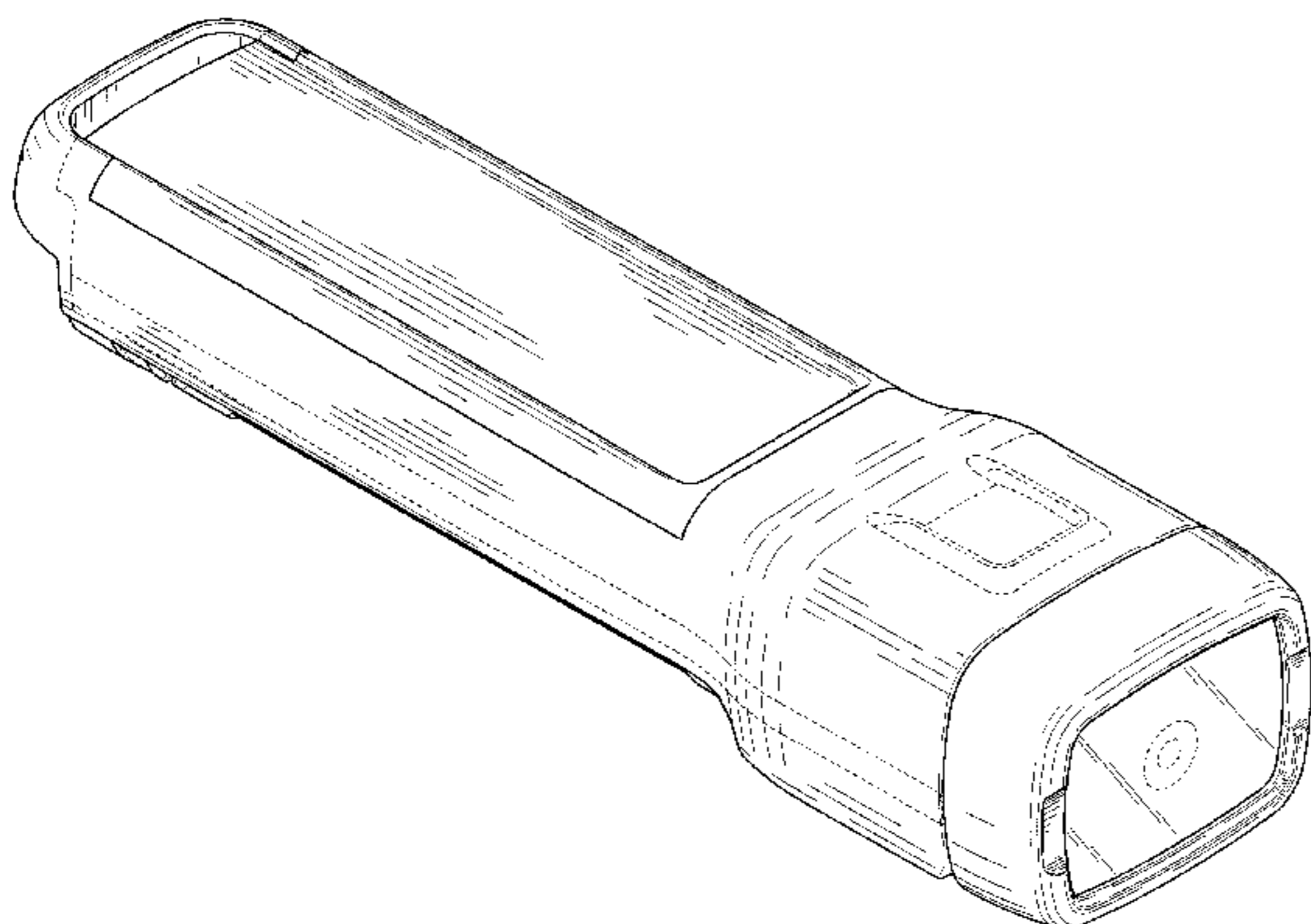
(57) **CLAIM**

We claim the ornamental design for a lighting device, as shown and described.

DESCRIPTION

FIG. 1 is a top perspective view of the design.
 FIG. 2 is a bottom perspective view of the design.
 FIG. 3 is a left side view of the design. The right side view of is a mirror image of the left side view.
 FIG. 4 is a front view of the design.
 FIG. 5 is a rear view of the design.
 FIG. 6 is a top view of the design.
 FIG. 7 is a bottom view of the design.
 FIG. 8 is a left perspective view of the design with legs extended and light head articulated.
 FIG. 9 is a rear perspective view of the design with legs extended and light head articulated; and,
 FIG. 10 is a top perspective view of the design with legs extended and light head articulated.
 Any broken line(s) shown are for illustrative purposes only and form no part of the claimed design.

1 Claim, 7 Drawing Sheets



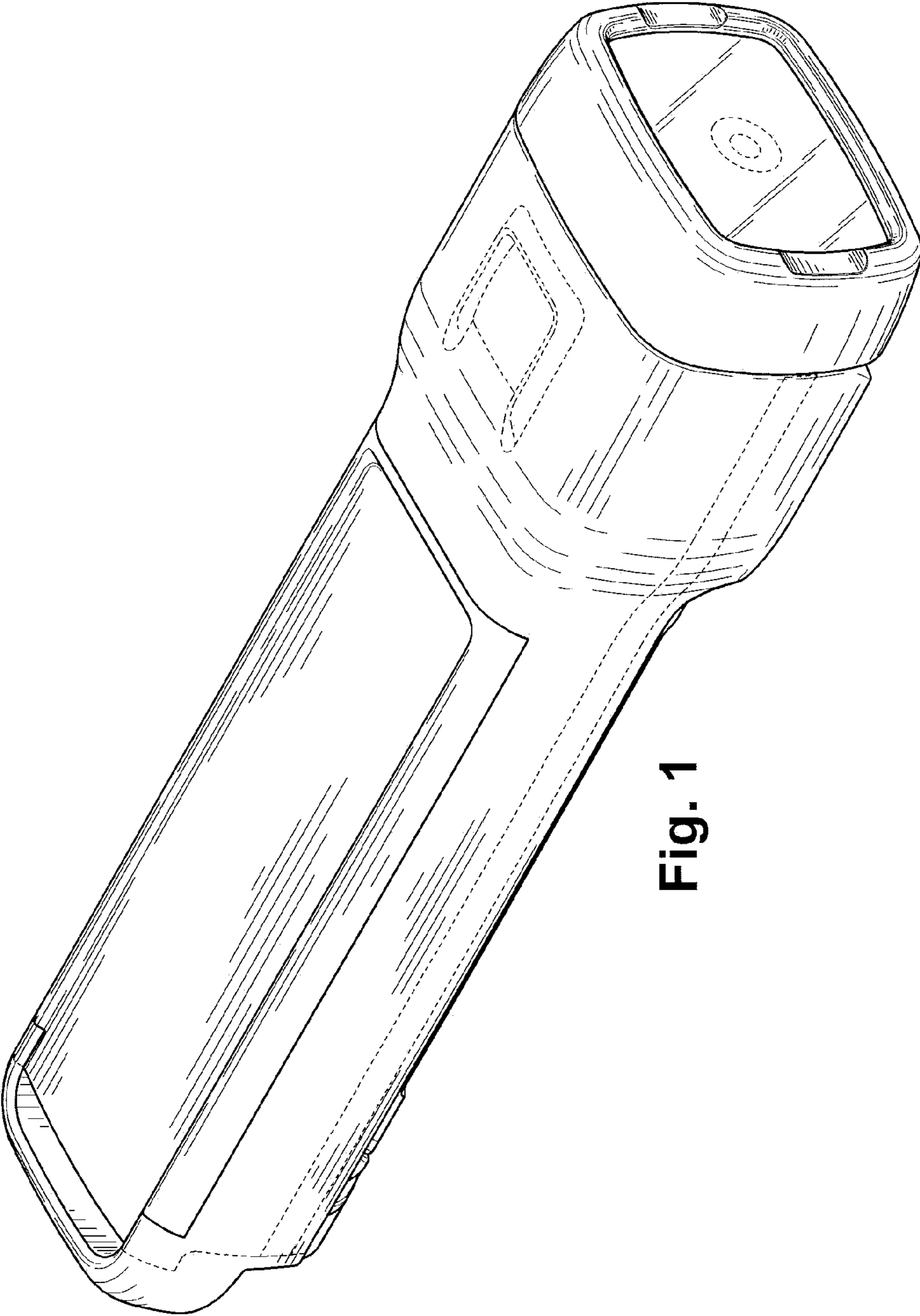


Fig. 1

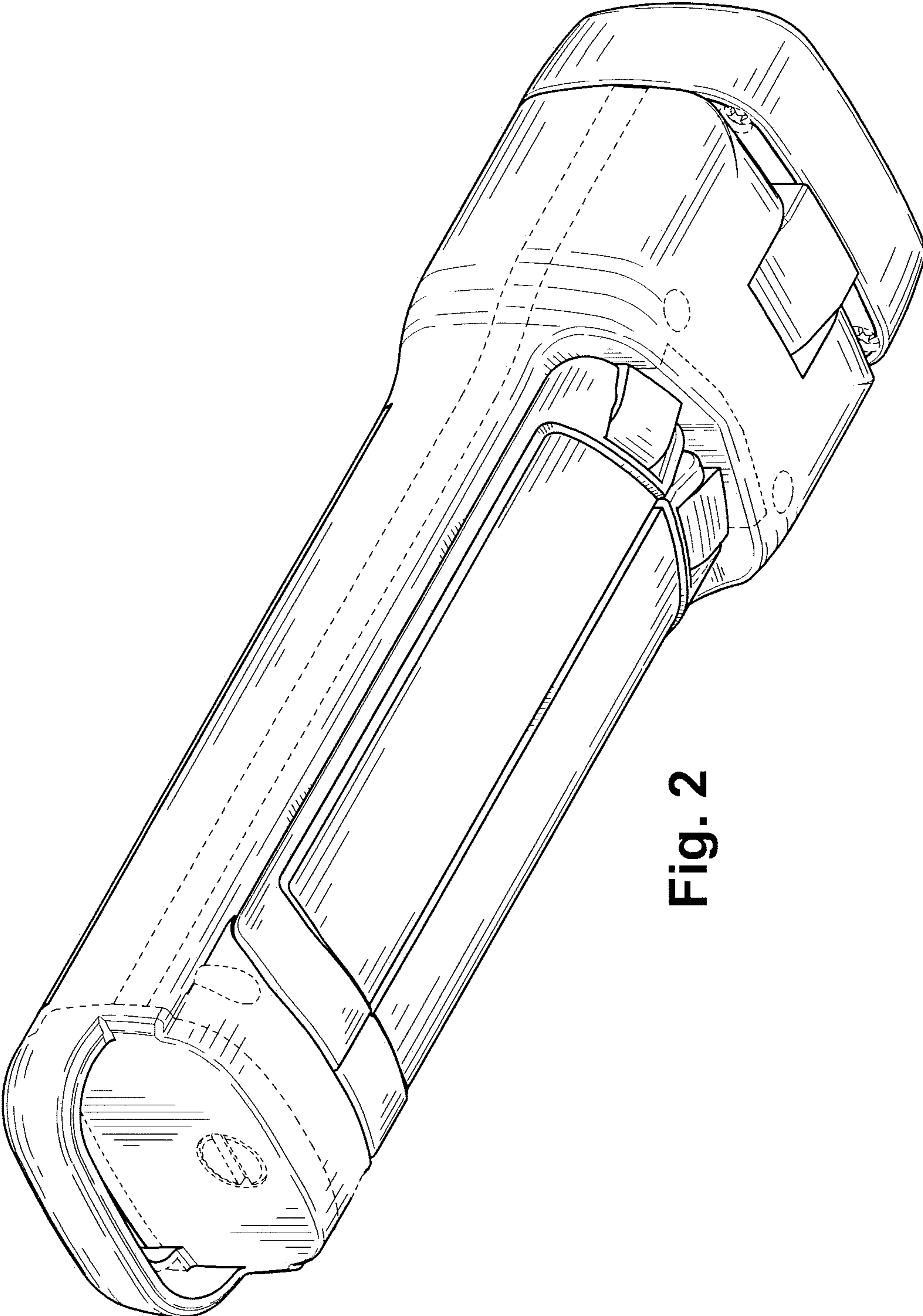


Fig. 2

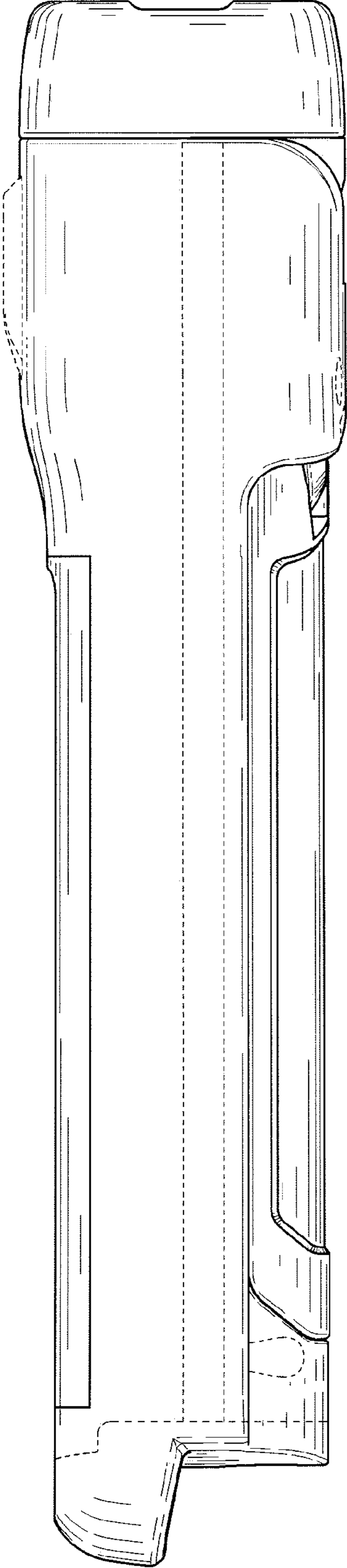


Fig. 3

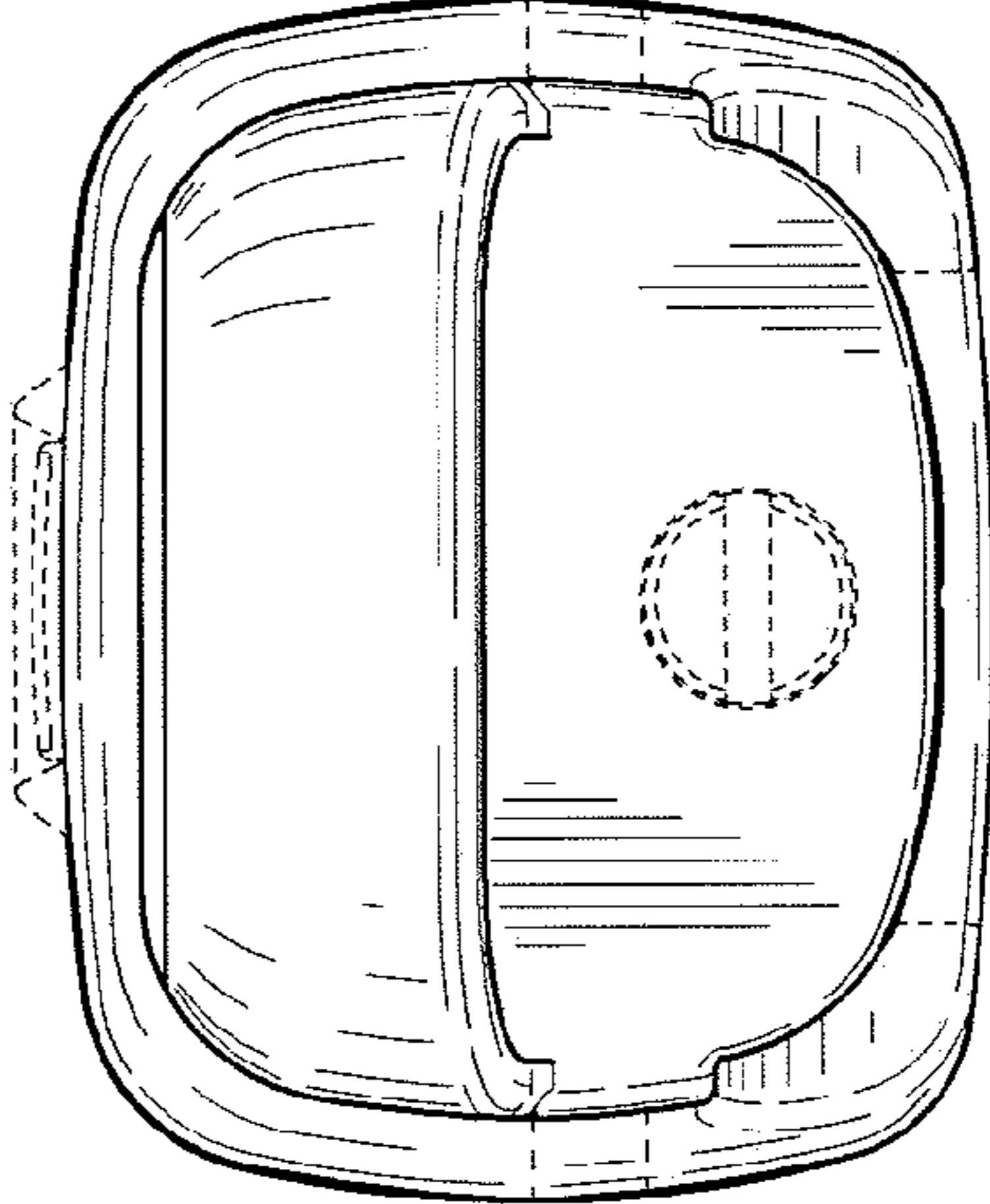


Fig. 5

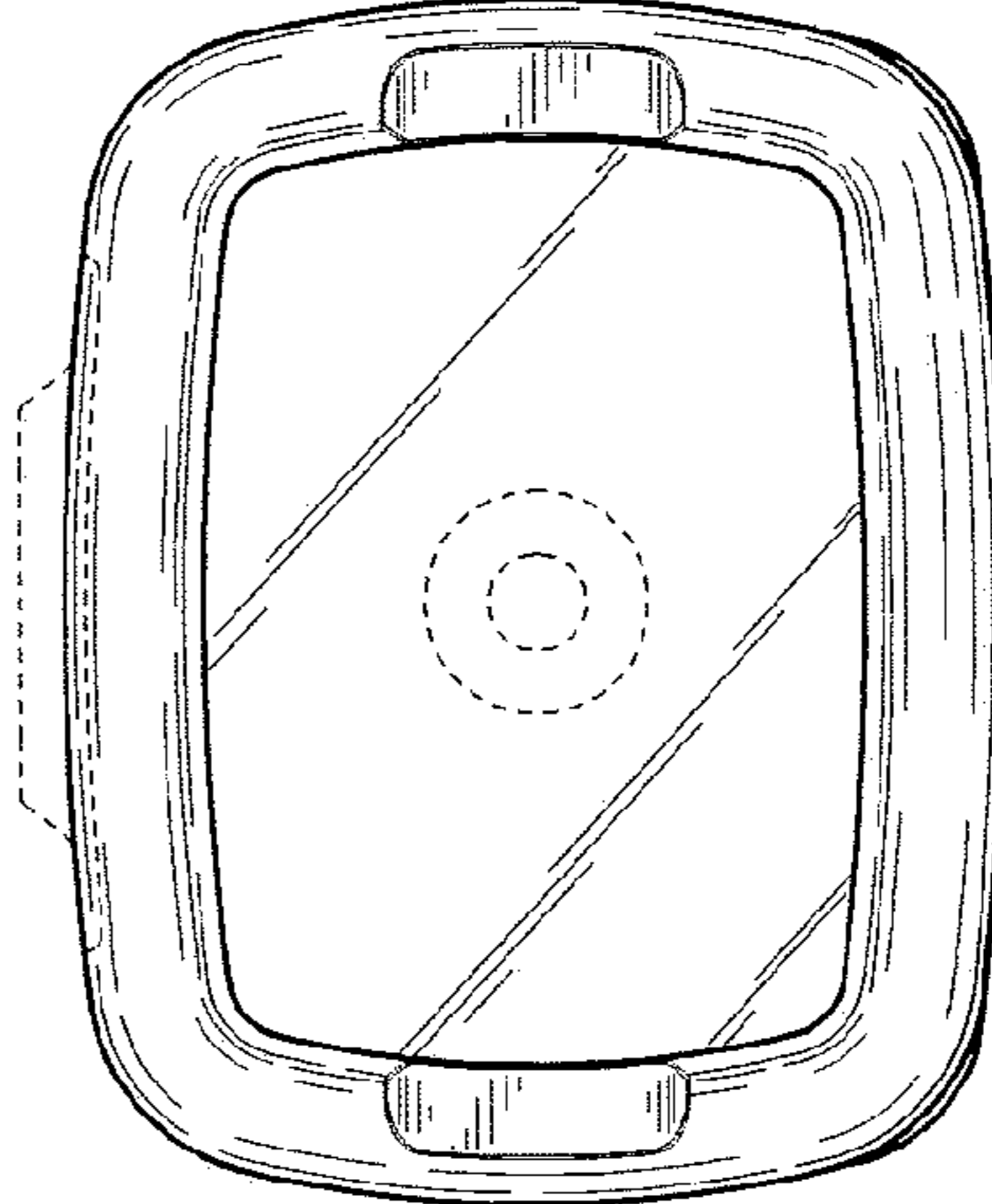


Fig. 4

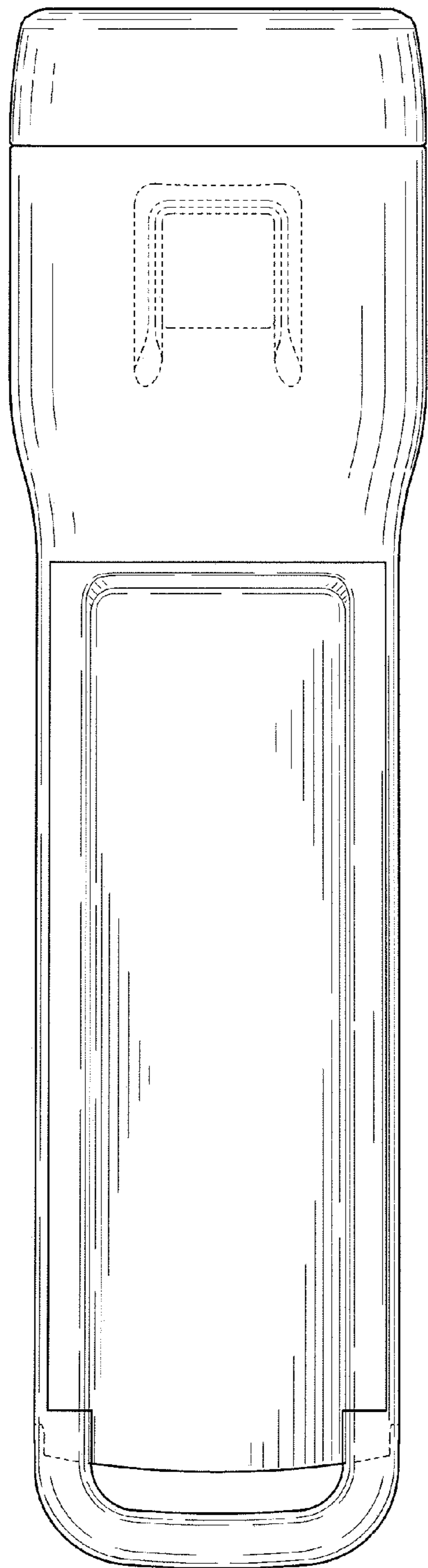


Fig. 6

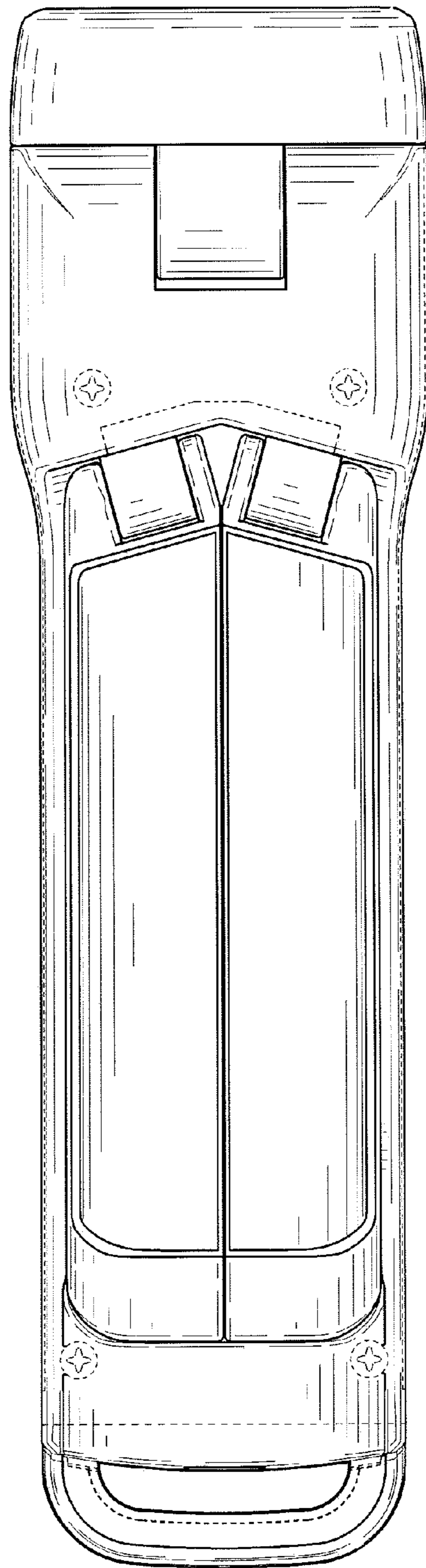


Fig. 7

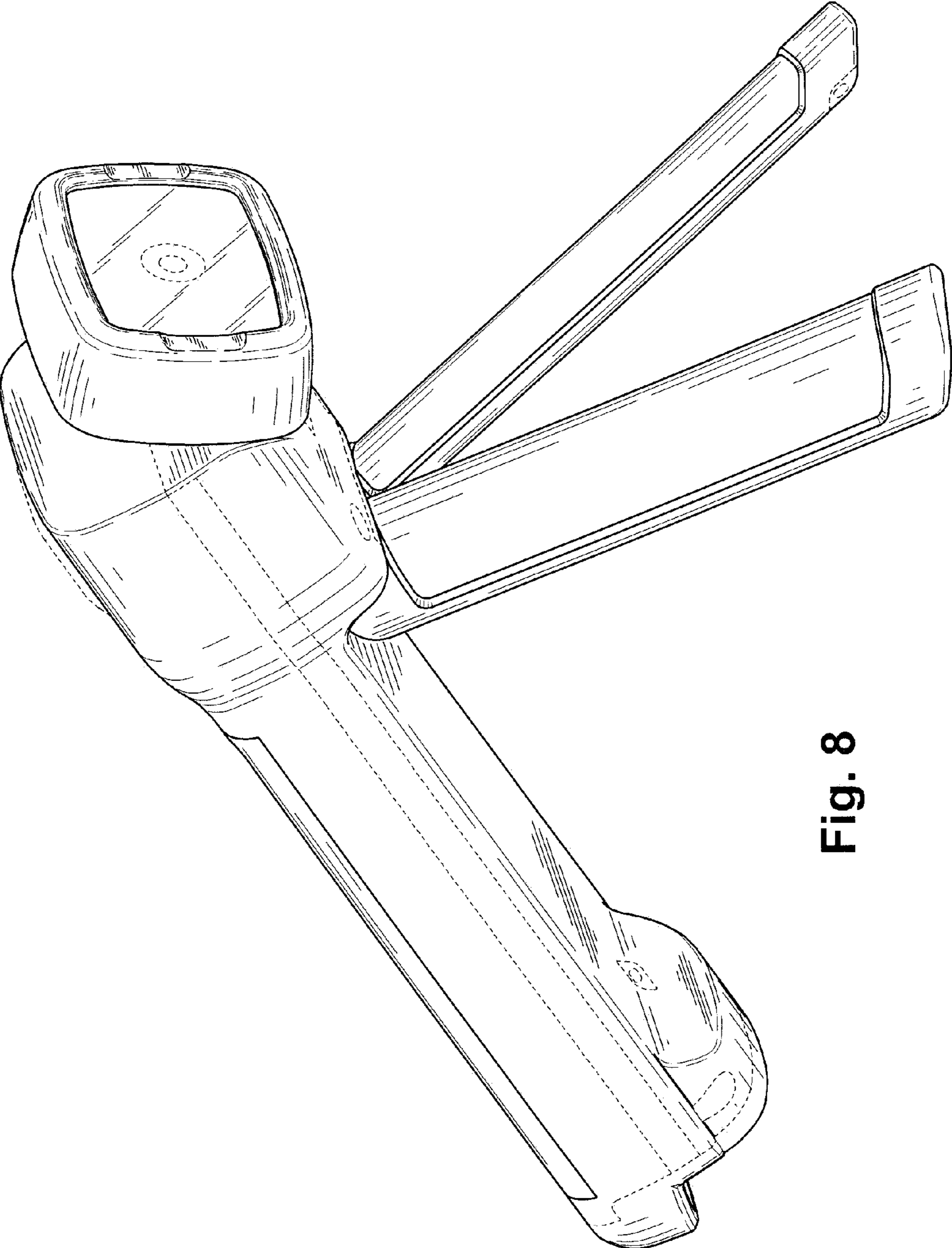


Fig. 8

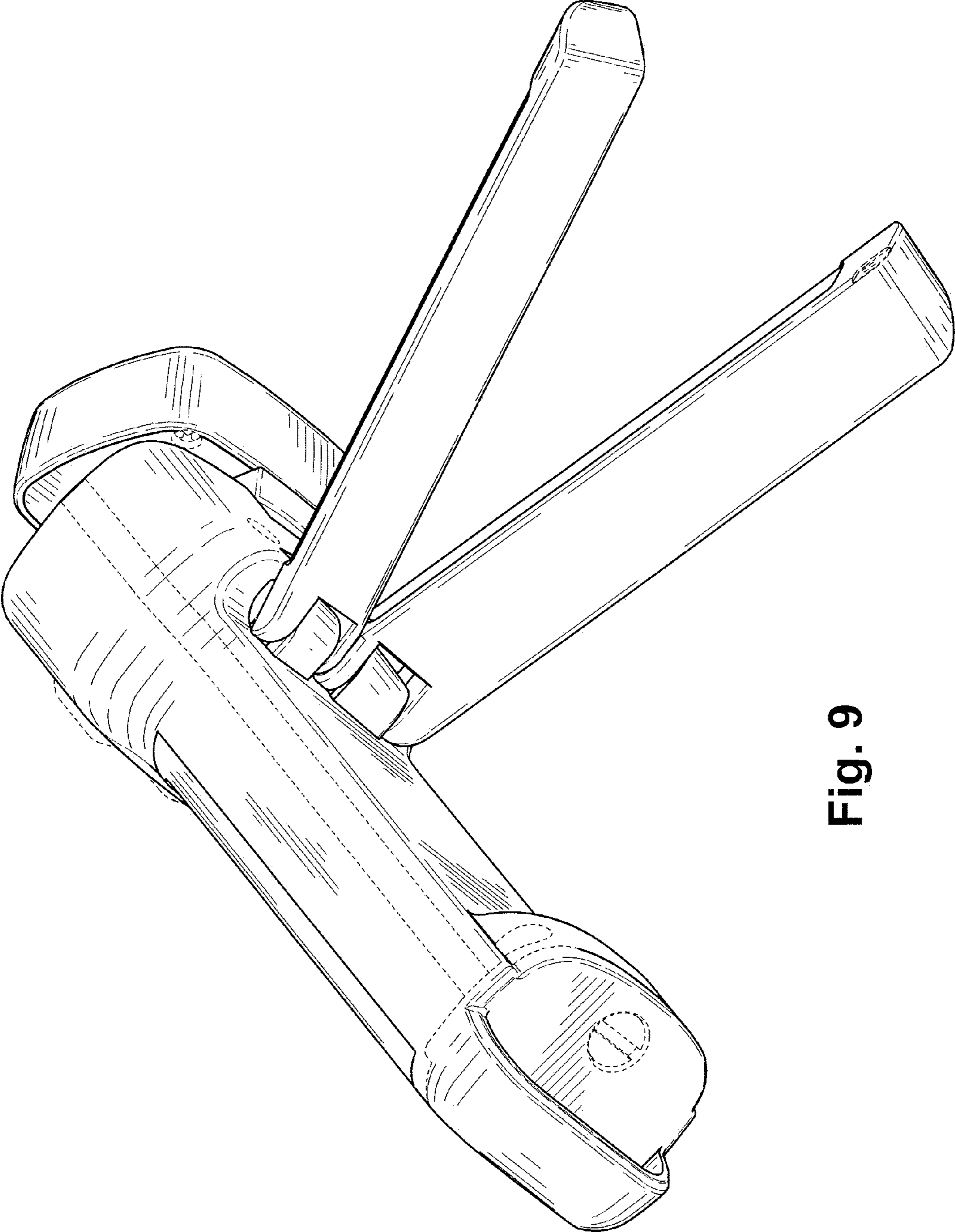


Fig. 9

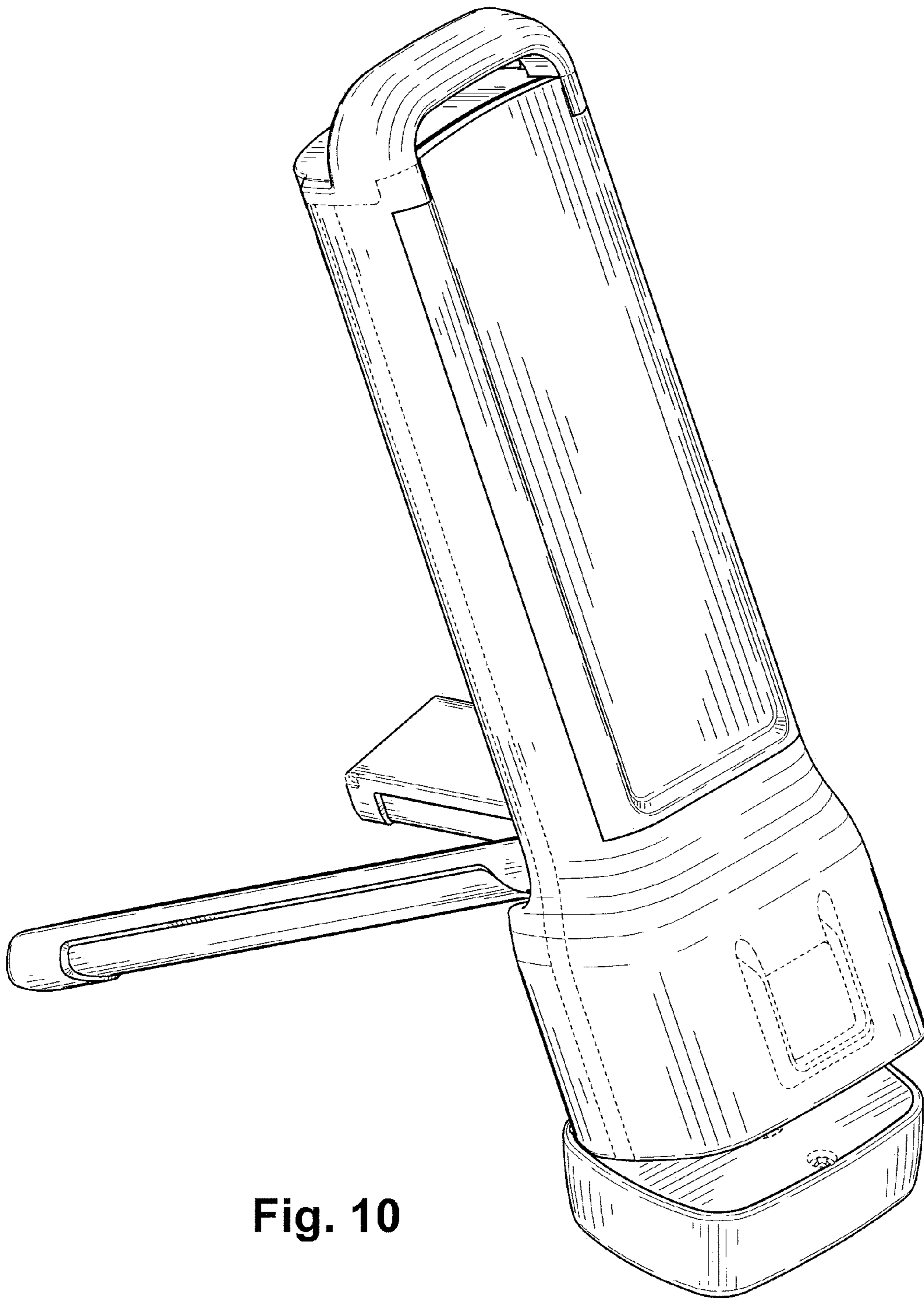


Fig. 10