



US00D693950S

(12) **United States Design Patent**
Ito et al.

(10) **Patent No.:** **US D693,950 S**

(45) **Date of Patent:** **** Nov. 19, 2013**

(54) **FOG LIGHT FOR A VEHICLE**

(71) Applicant: **International Truck Intellectual Property Company, LLC**, Lisle, IL (US)

(72) Inventors: **Chris Isamu Ito**, Sugar Grove, IL (US); **Glen Joel Durmisevich**, Rochester Hills, MI (US); **John Song**, Palatine, IL (US); **Christian Michael Hardin**, Waterford, MI (US); **James C. Box**, Wheaton, IL (US)

(73) Assignee: **International Truck Intellectual Property Company, LLC**, Lisle, IL (US)

(**) Term: **14 Years**

(21) Appl. No.: **29/450,553**

(22) Filed: **Mar. 19, 2013**

(51) **LOC (9) Cl.** **26-06**

(52) **U.S. Cl.**
USPC **D26/28**

(58) **Field of Classification Search**
USPC D26/28-36; 362/459-468, 475-478, 362/485-487
See application file for complete search history.

(56) **References Cited**

U.S. PATENT DOCUMENTS

D527,123 S 8/2006 Beigel
D529,223 S 9/2006 Beigel
D539,947 S 4/2007 Lee

D550,380 S * 9/2007 Lin D26/28
D550,383 S * 9/2007 Asai D26/28
D570,015 S * 5/2008 Hsu D26/28
D573,282 S * 7/2008 Hsu D26/28
D592,324 S 5/2009 Beigel
D640,826 S 6/2011 Beigel
D660,480 S * 5/2012 Gotschke et al. D26/28
D661,011 S 5/2012 Parkes
D661,012 S 5/2012 Parkes

* cited by examiner

Primary Examiner — Marcus Jackson

(74) *Attorney, Agent, or Firm* — Jeffrey P. Calfa; Mark C. Bach

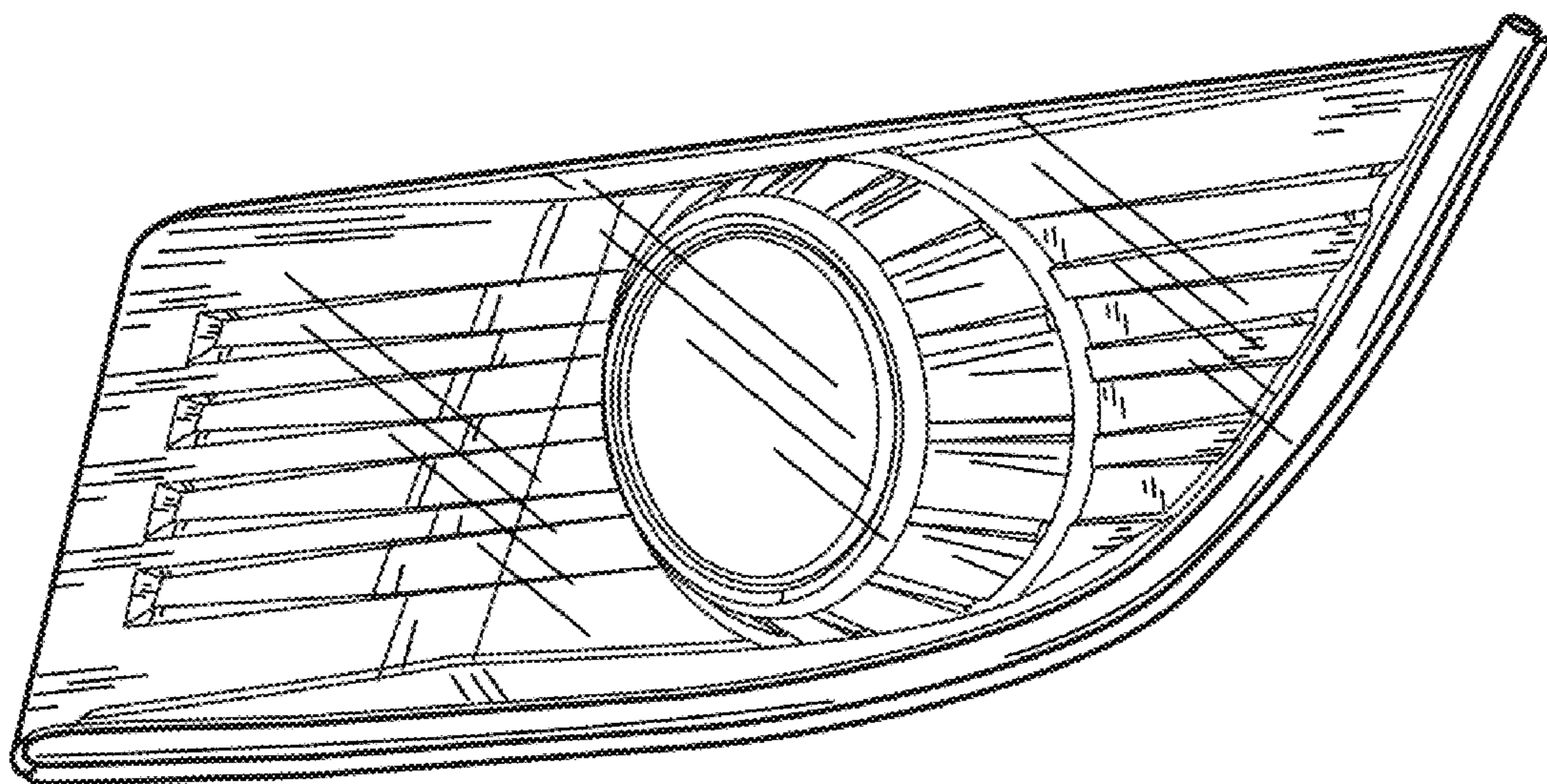
(57) **CLAIM**

The ornamental design for a fog light for a vehicle, as shown and described.

DESCRIPTION

FIG. 1 is a front perspective view of a fog light for a vehicle showing my new design, shown from the right side thereof; FIG. 2 is a Right Side Elevation view of a left hand embodiment thereof; FIG. 3 is a Left Side Elevation view of a left hand embodiment thereof; FIG. 4 is a Top Plan view of a left hand embodiment thereof; FIG. 5 is a Bottom Plan view of a left hand embodiment thereof; FIG. 6 is a Front Elevation view of a left hand embodiment thereof; and, FIG. 7 is a front elevational view thereof, shown from the right side.

1 Claim, 3 Drawing Sheets



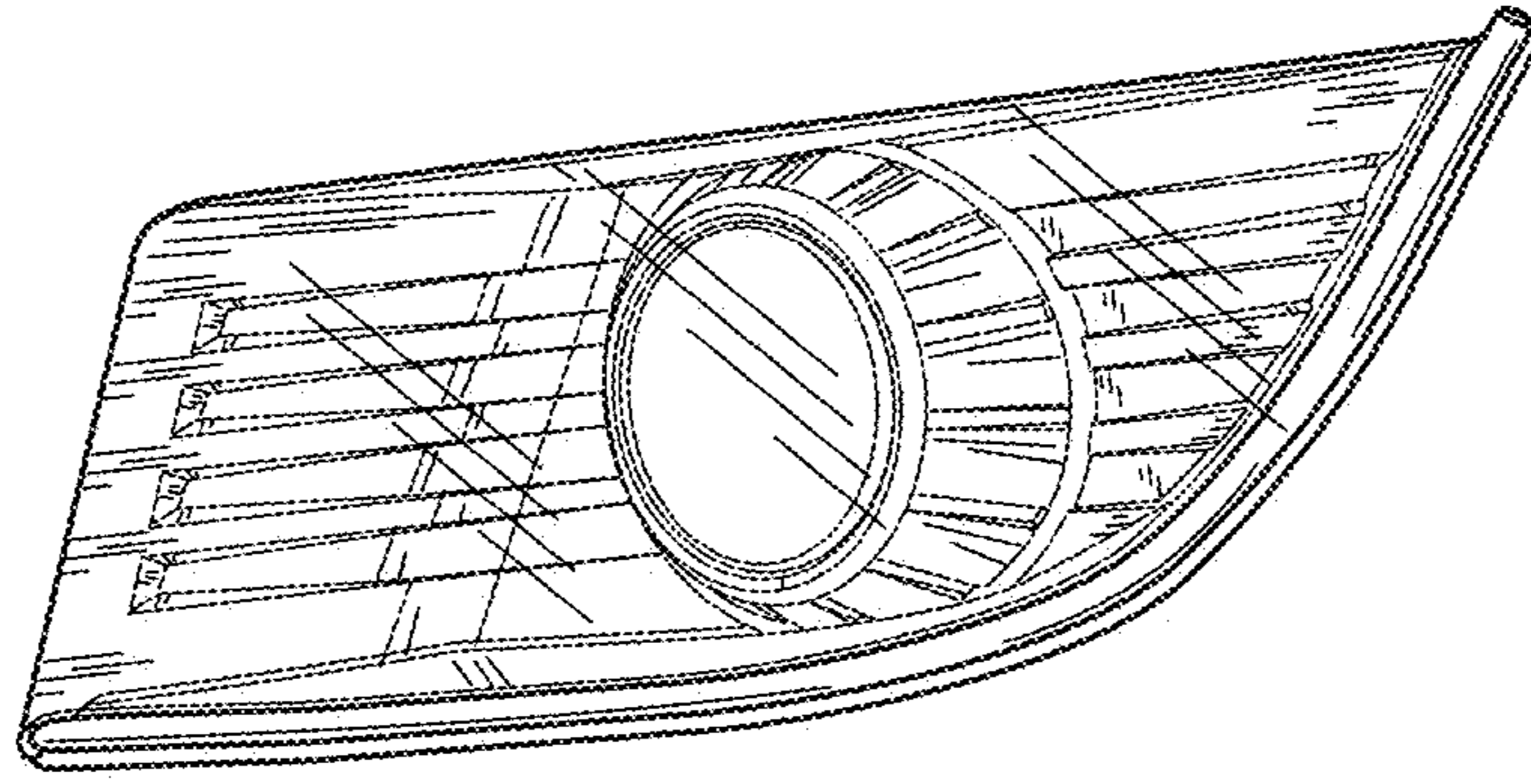


FIG. 1

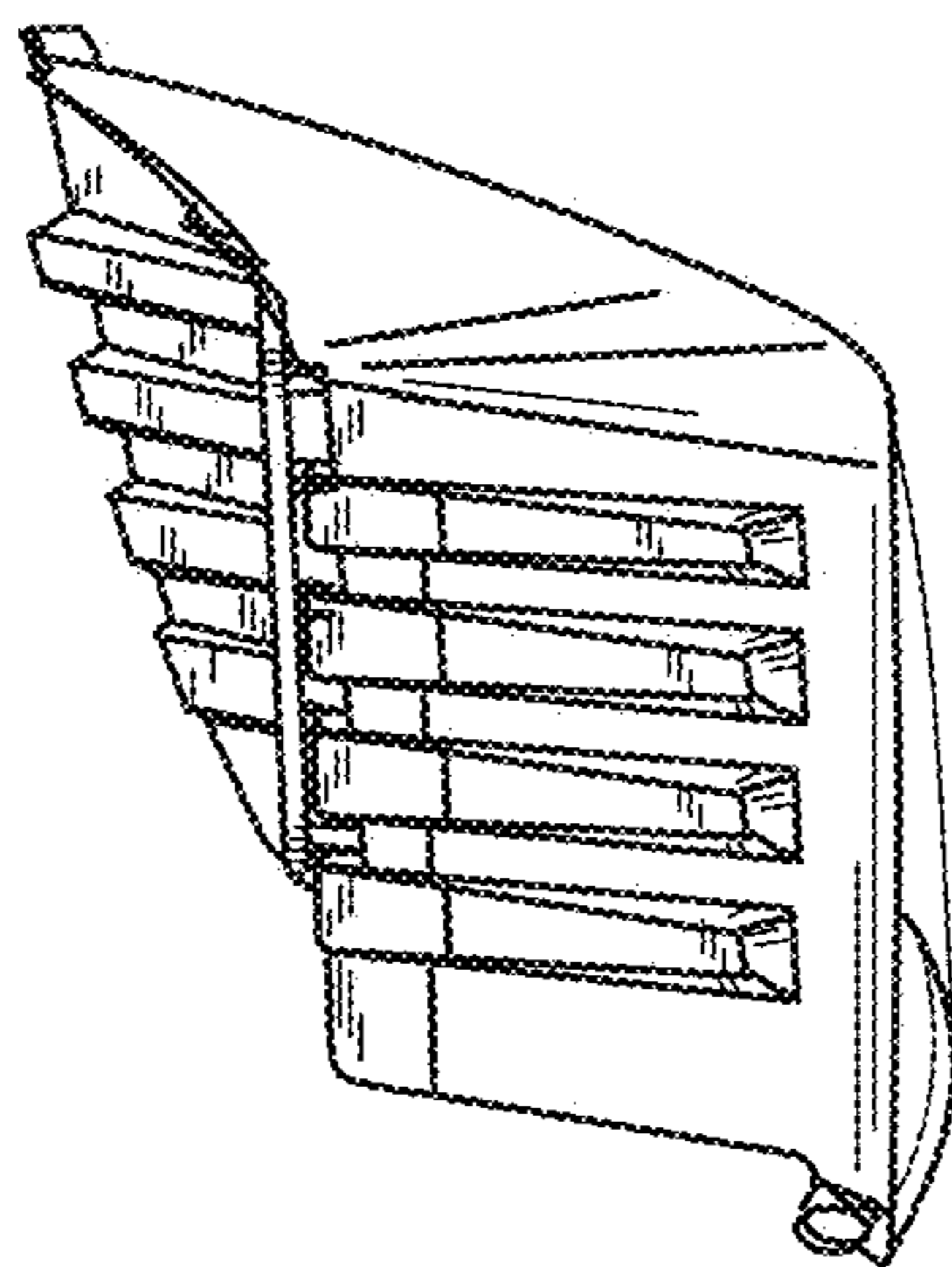


FIG. 2

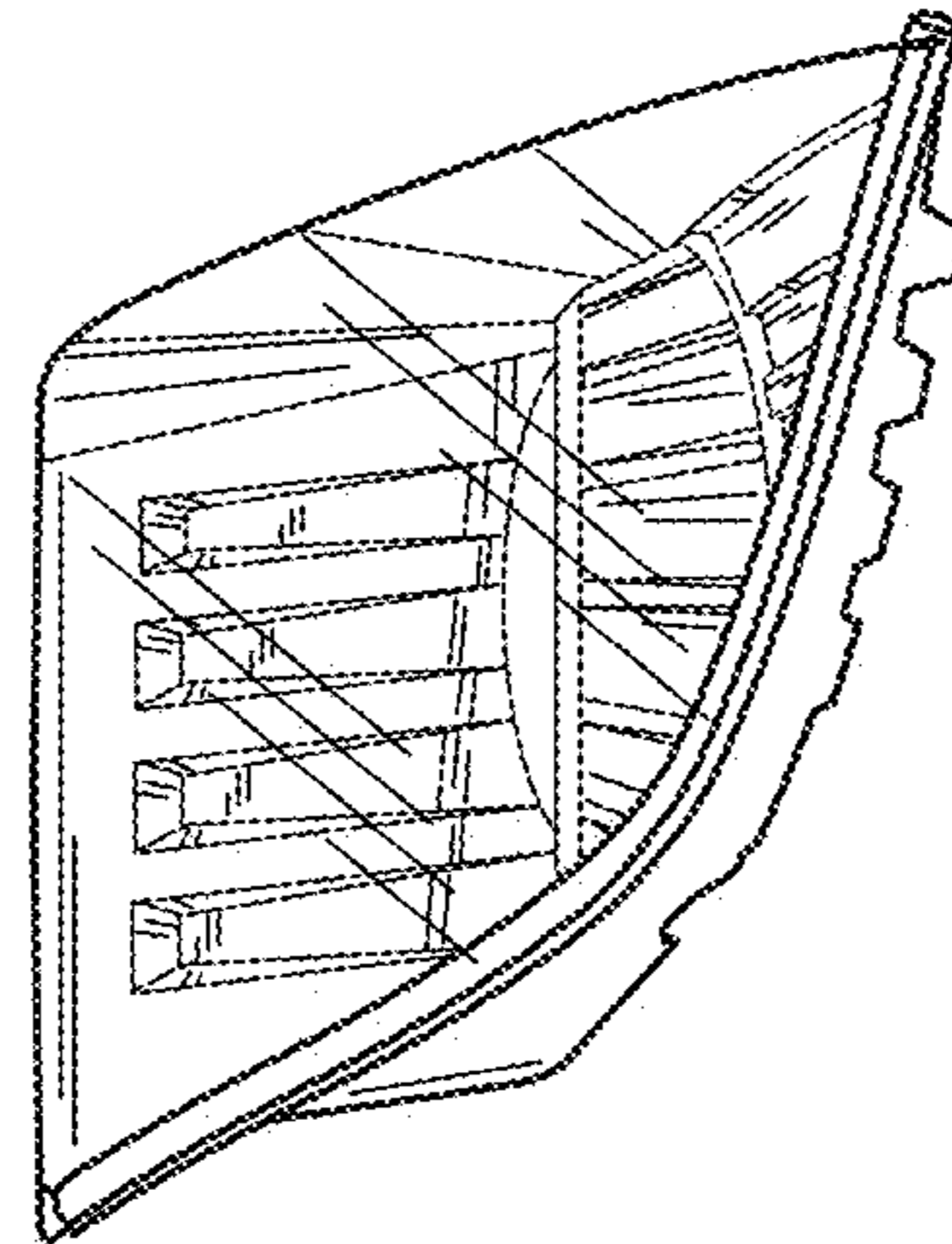


FIG. 3

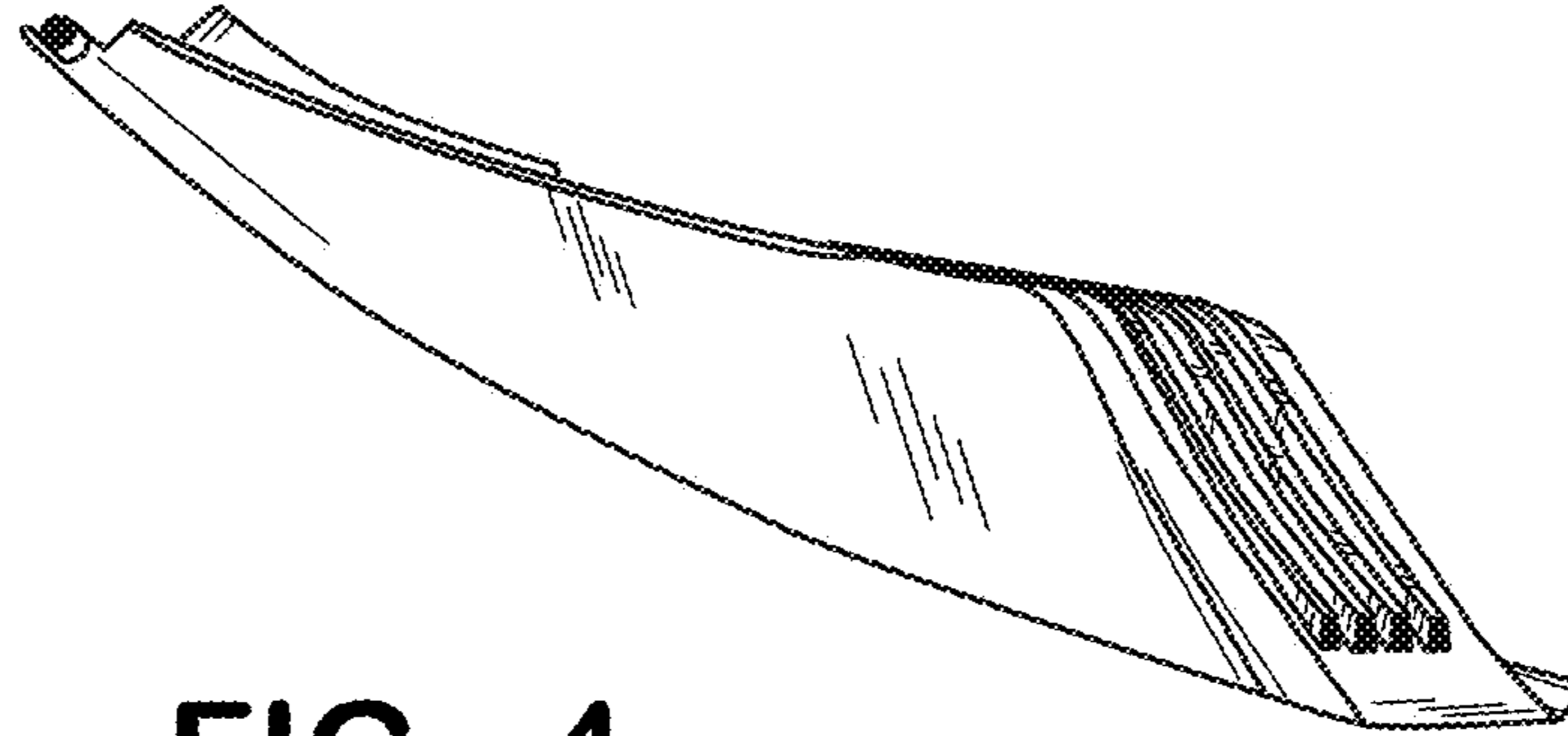


FIG. 4

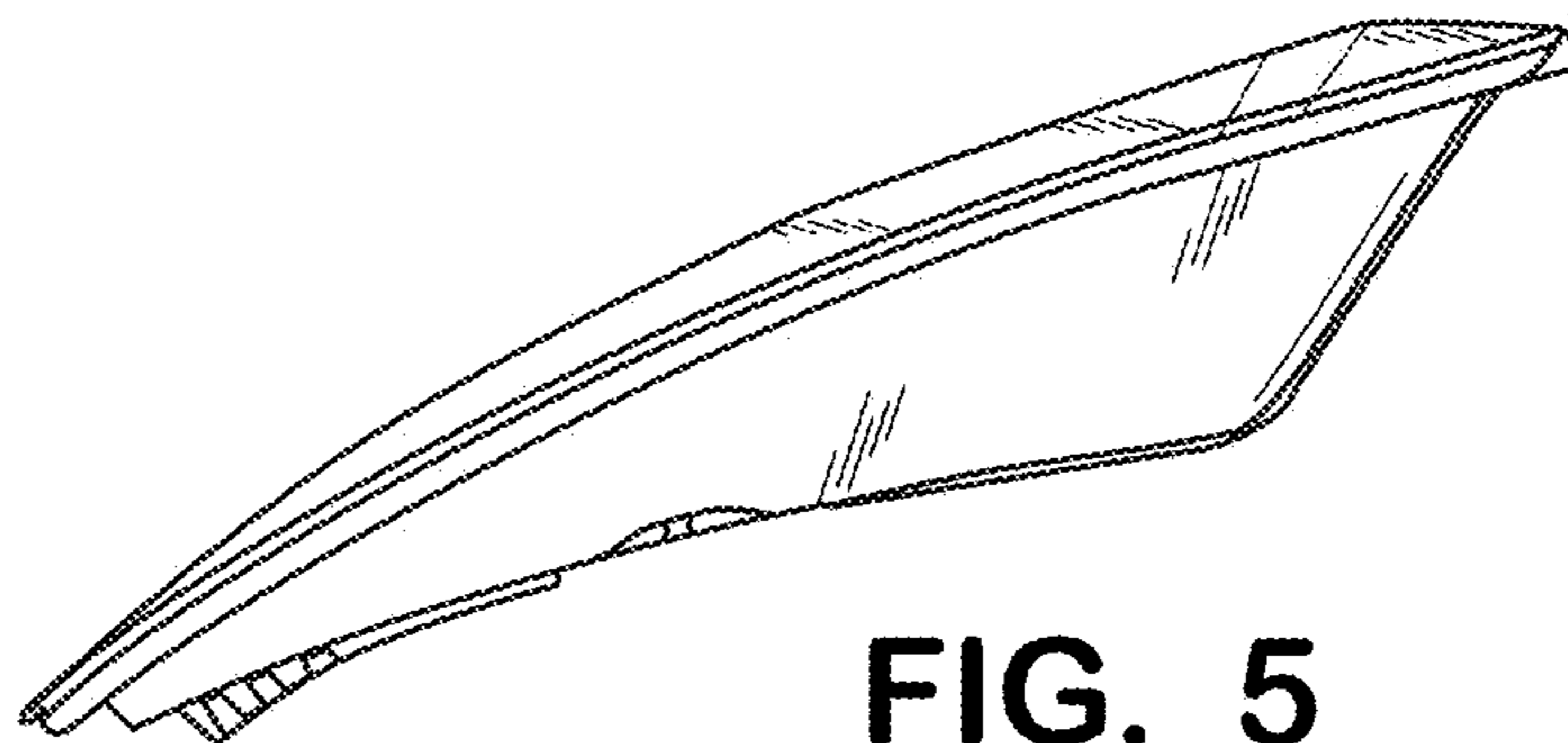


FIG. 5

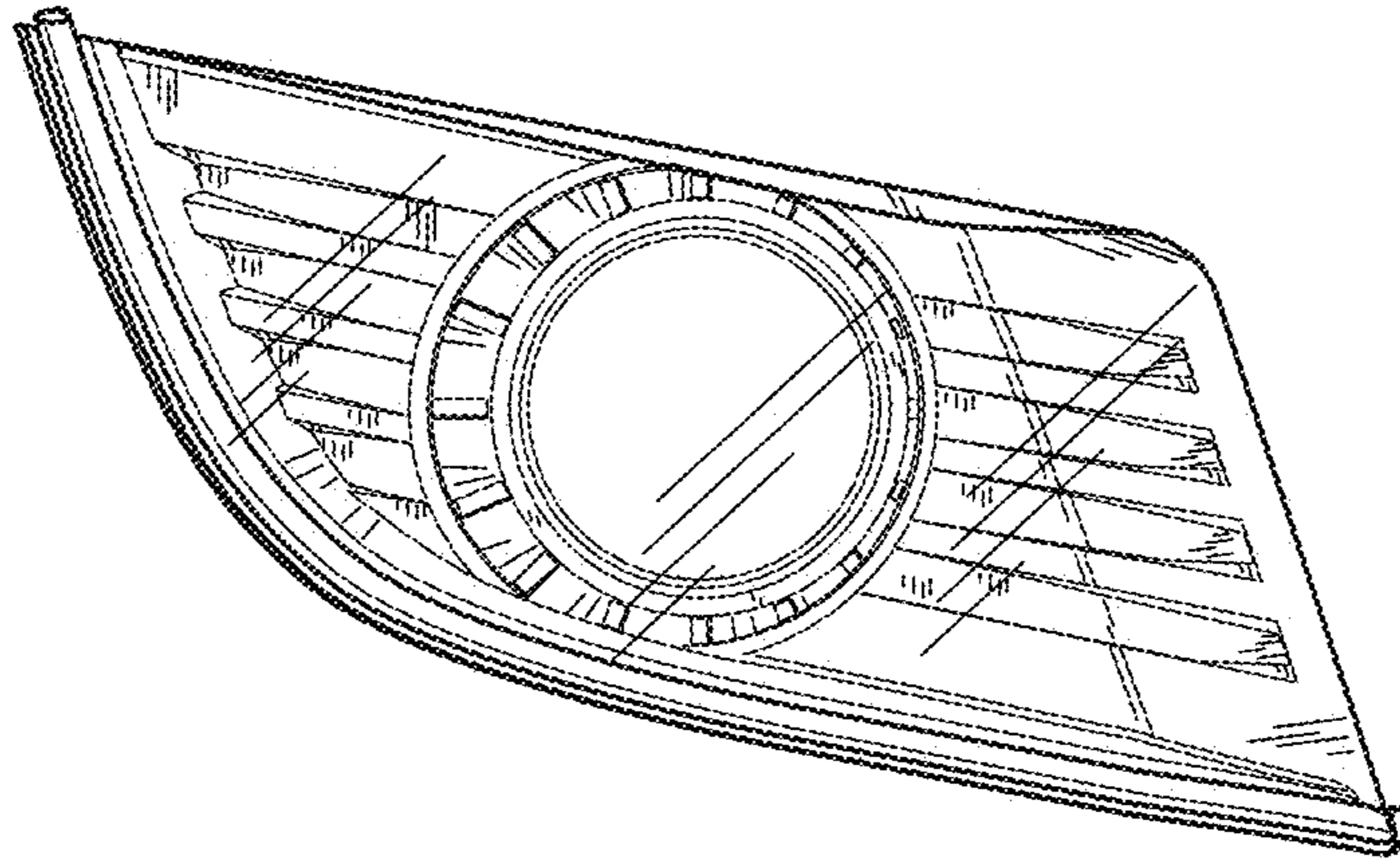


FIG. 6

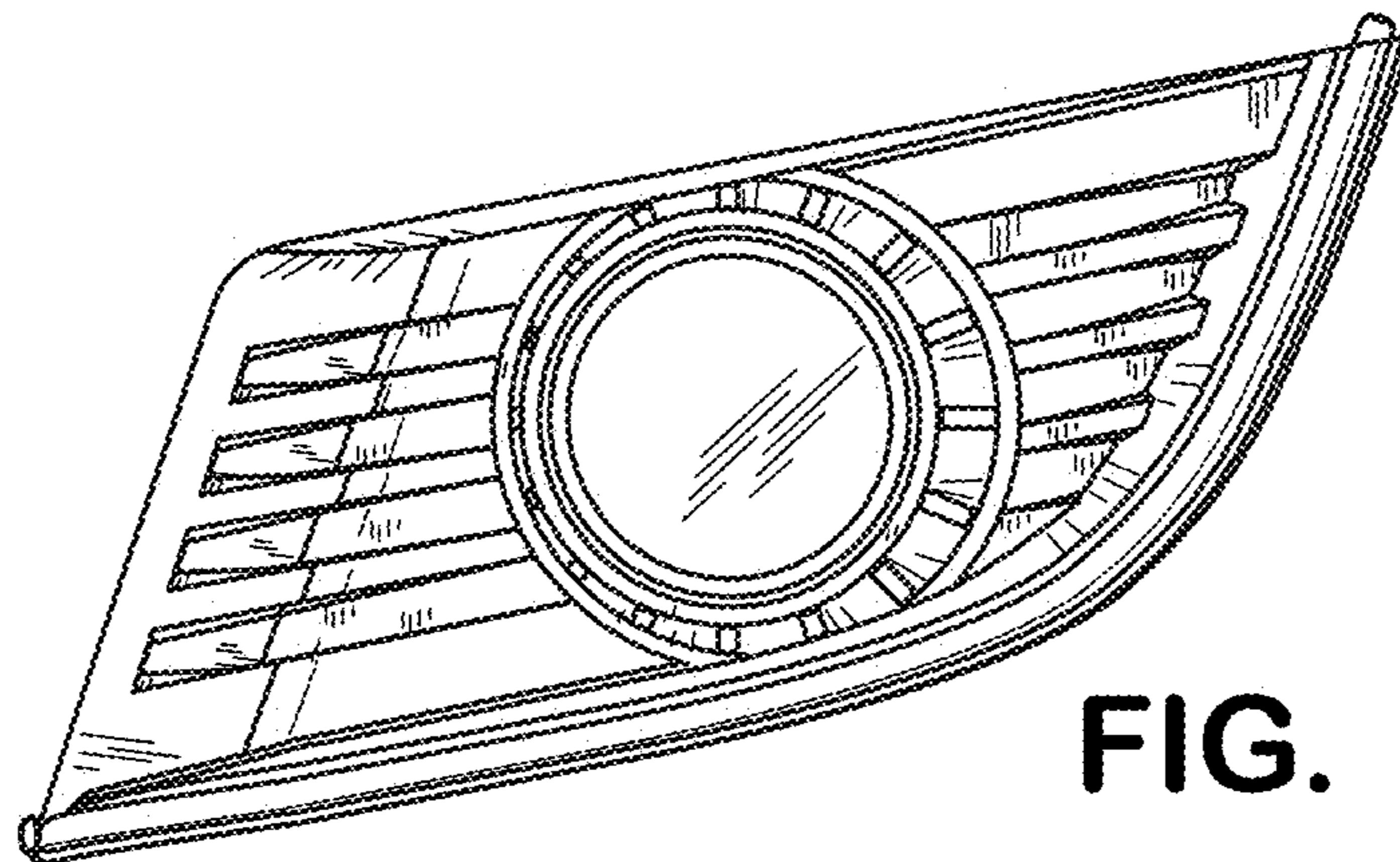


FIG. 7