



US00D693949S

(12) **United States Design Patent**  
**Merryfield et al.**

(10) **Patent No.:** **US D693,949 S**

(45) **Date of Patent:** **\*\* Nov. 19, 2013**

(54) **LED HEADLAMP**

(71) Applicant: **Truck-Lite Co., LLC**, Falconer, NY (US)

(72) Inventors: **Larry Merryfield**, Rochester Hills, MI (US); **Nick Kenyon**, Sherman, NY (US); **Mike Marley**, Erie, PA (US)

(73) Assignee: **Truck-Lite Co., LLC**, Falconer, NY (US)

(\*\*) Term: **14 Years**

(21) Appl. No.: **29/450,212**

(22) Filed: **Mar. 15, 2013**

(51) **LOC (9) Cl.** ..... **26-06**

(52) **U.S. Cl.**  
USPC ..... **D26/28**

(58) **Field of Classification Search**  
USPC ..... D26/28-36; 362/459-468, 475-478,  
362/485-487

See application file for complete search history.

(56) **References Cited**

**U.S. PATENT DOCUMENTS**

D458,397 S	6/2002	Horowitz	
D507,361 S	7/2005	Wood	
D519,226 S	4/2006	Taguchi	
D521,662 S	5/2006	Chu	
D525,731 S	7/2006	Hovind	
D528,679 S	9/2006	Taguchi	
D538,956 S *	3/2007	Ishii	D26/28
D549,855 S	8/2007	Moisy	
D550,871 S	9/2007	Conway	
D569,533 S *	5/2008	Hsu	D26/28

D570,007 S *	5/2008	Hsu	D26/28
D570,014 S *	5/2008	Hsu	D26/28
D570,016 S *	5/2008	Hsu	D26/28
D572,392 S	7/2008	Gale	
D582,587 S *	12/2008	Yang	D26/28
D588,289 S	3/2009	Wagner	
D635,694 S	4/2011	Yang	
D635,701 S	4/2011	Chang	
D645,591 S	9/2011	Kong	
D647,225 S	10/2011	Conway	
D655,837 S	3/2012	Karras	
D664,690 S	7/2012	Kim	
D666,752 S	9/2012	Watanabe	
D675,354 S	1/2013	Sakai	
D675,355 S	1/2013	Sakai	

\* cited by examiner

*Primary Examiner* — Marcus Jackson

(74) *Attorney, Agent, or Firm* — The Bilicki Law Firm, P.C.;  
Carl A. Hjort, III

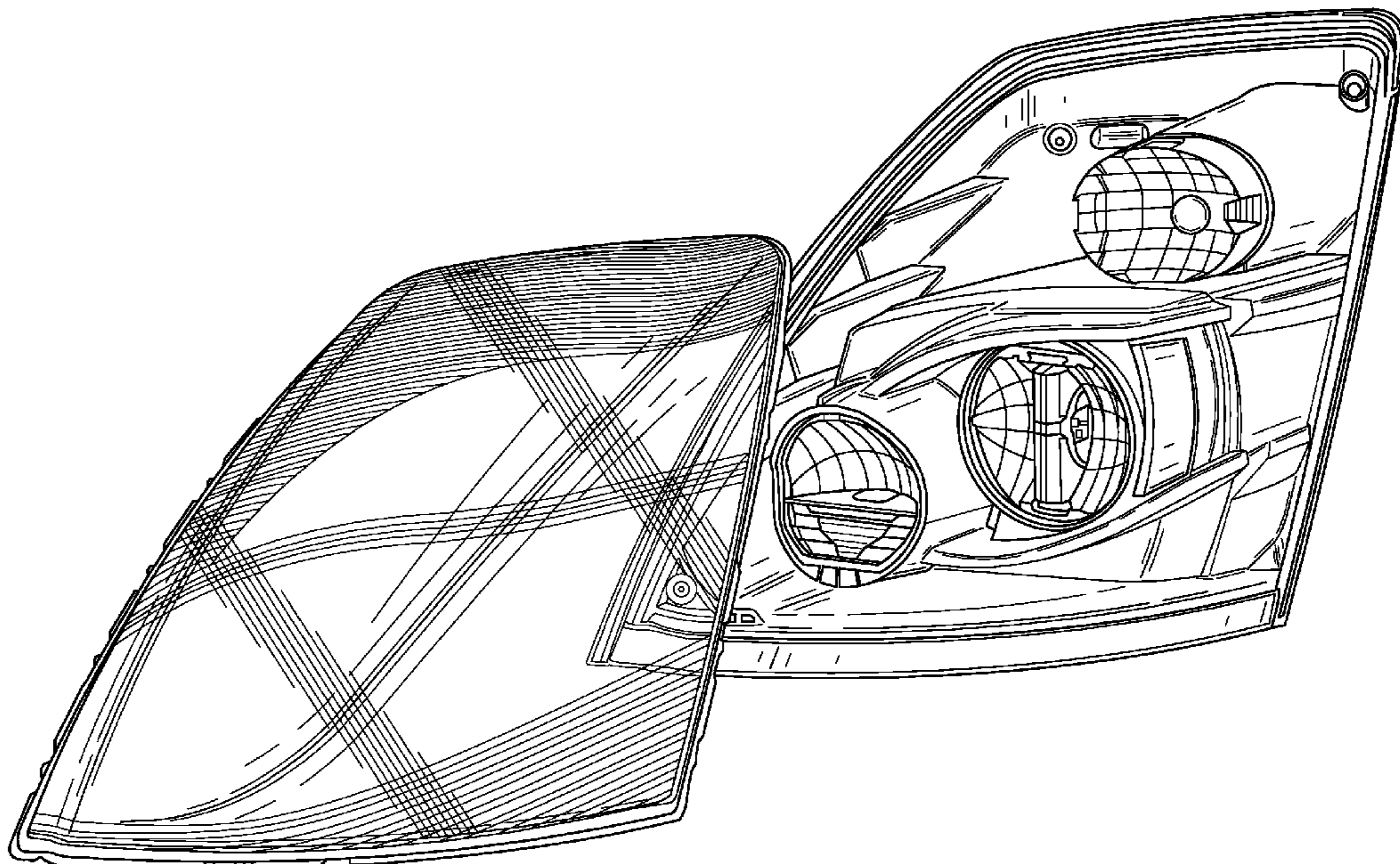
(57) **CLAIM**

The ornamental design for an LED headlamp, as shown and described.

**DESCRIPTION**

FIG. 1 is an exploded perspective view of an LED headlamp; FIG. 2 is a front perspective view thereof; FIG. 3 is a front elevational view thereof, with the lens removed; FIG. 4 is a front elevational view thereof, of the lens; FIG. 5 is a front elevational view thereof, with the lens; FIG. 6 is a top plan view thereof; FIG. 7 is a bottom plan view thereof; FIG. 8 is a left side elevational view thereof; and, FIG. 9 is a right side elevational view thereof.

**1 Claim, 9 Drawing Sheets**



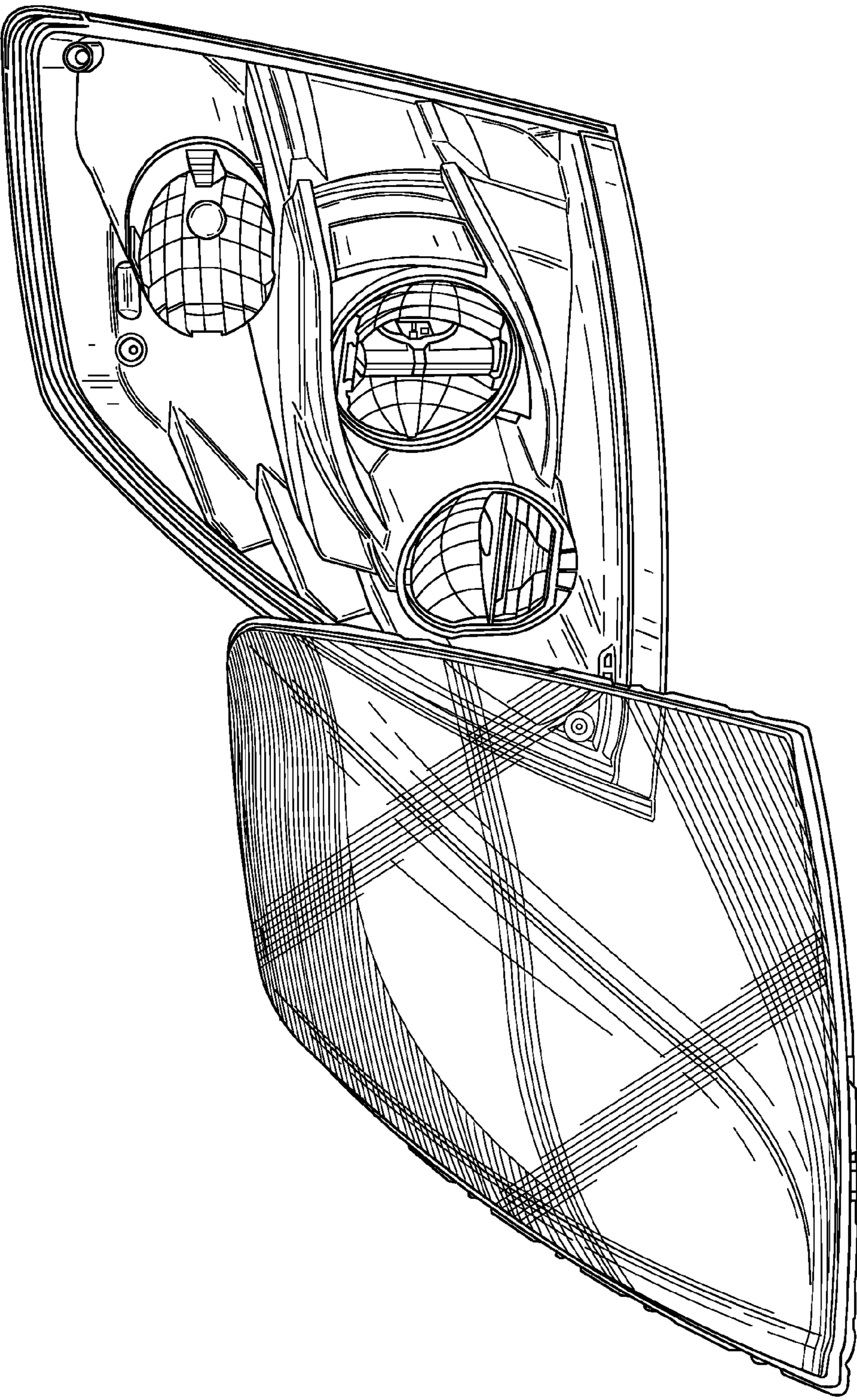


FIG. 1

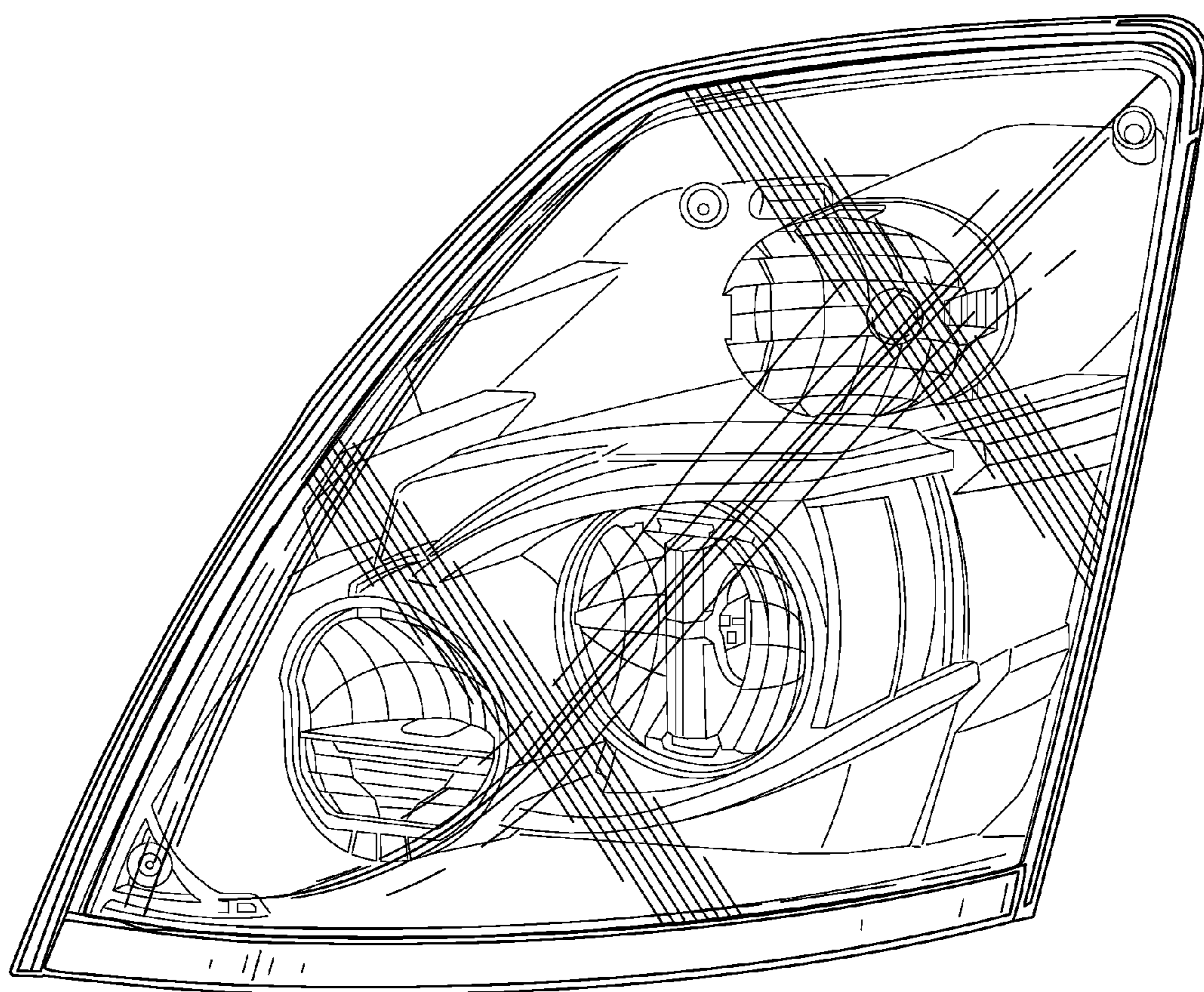


FIG. 2

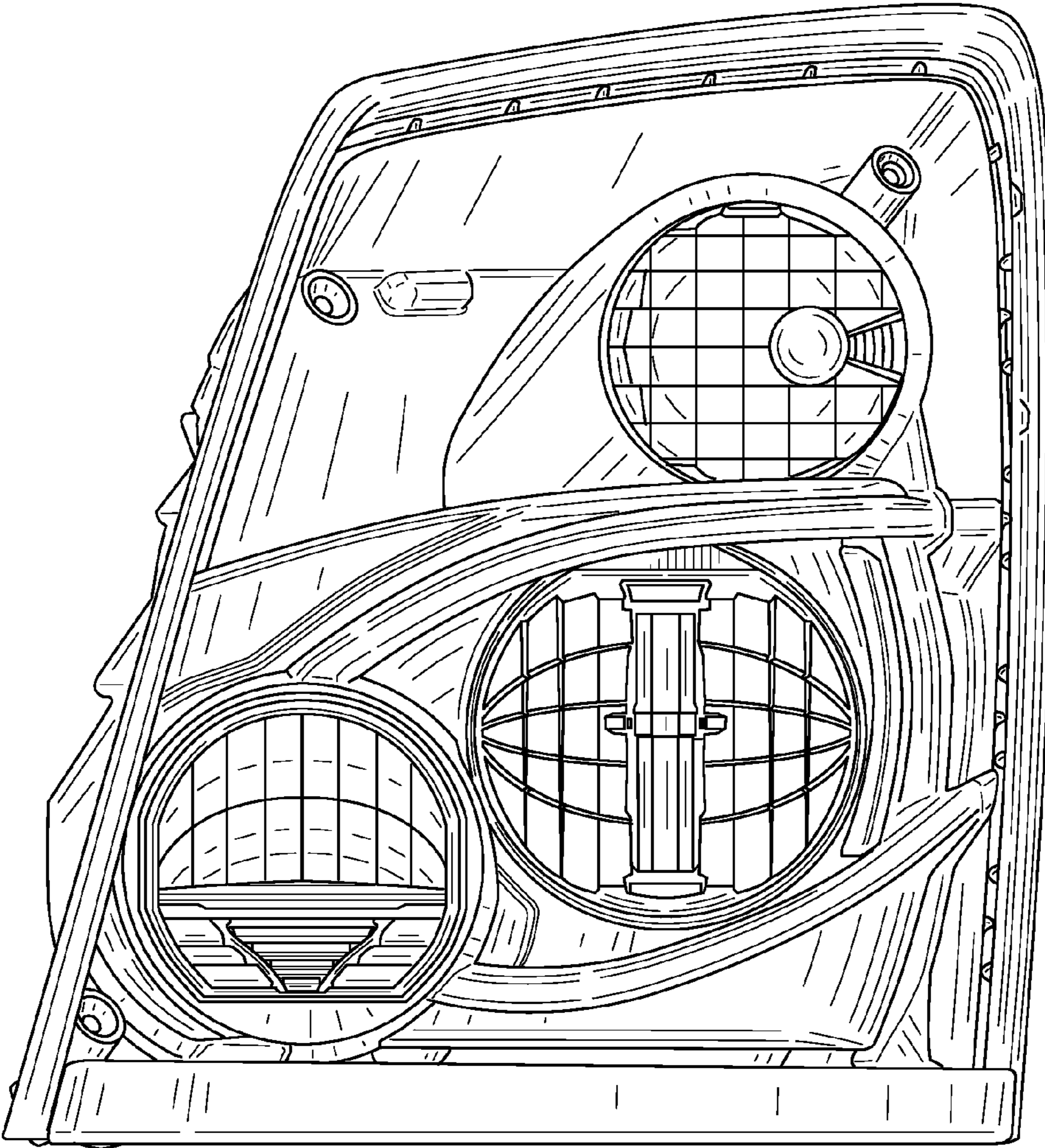


FIG. 3

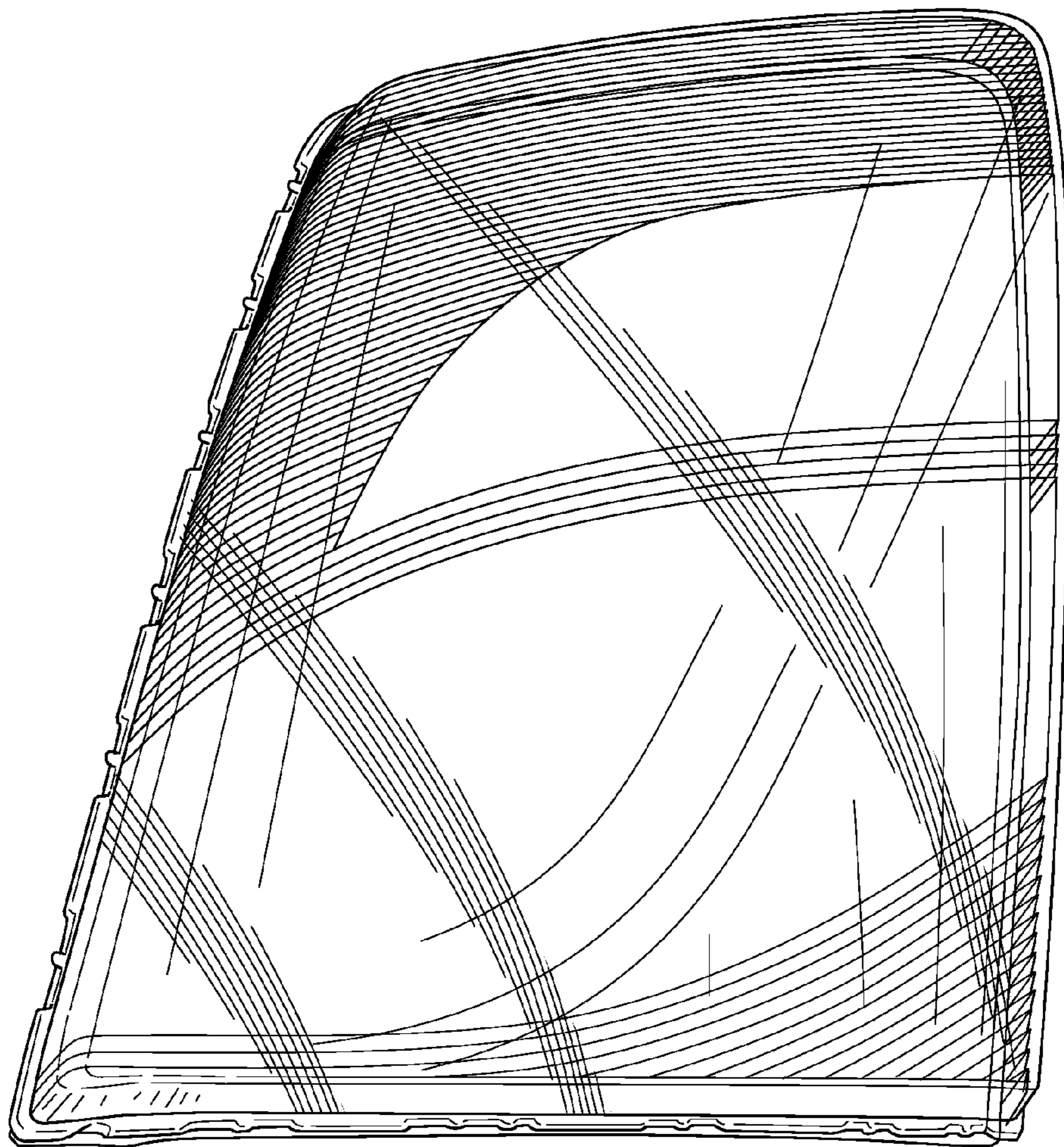


FIG. 4

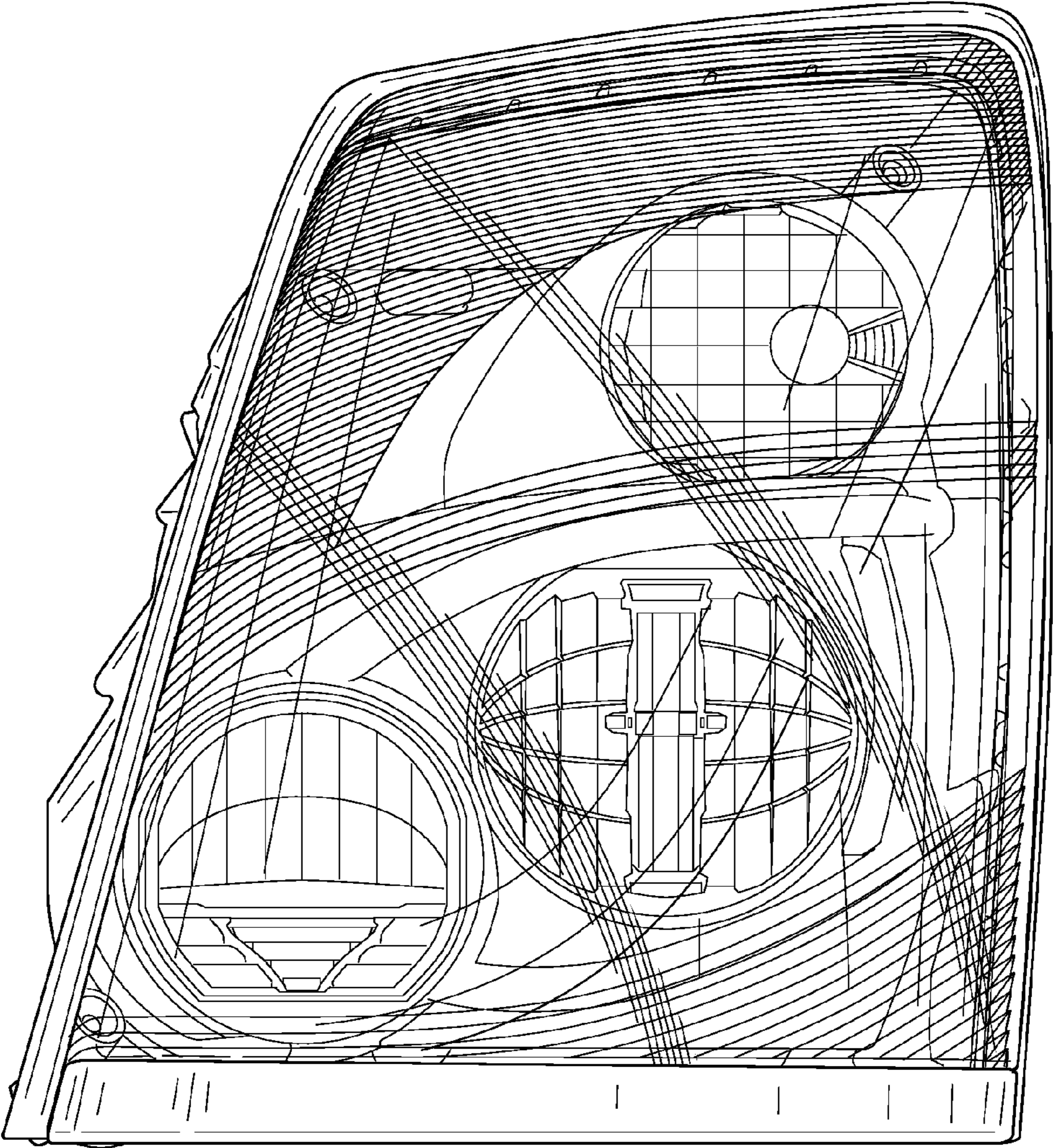


FIG. 5

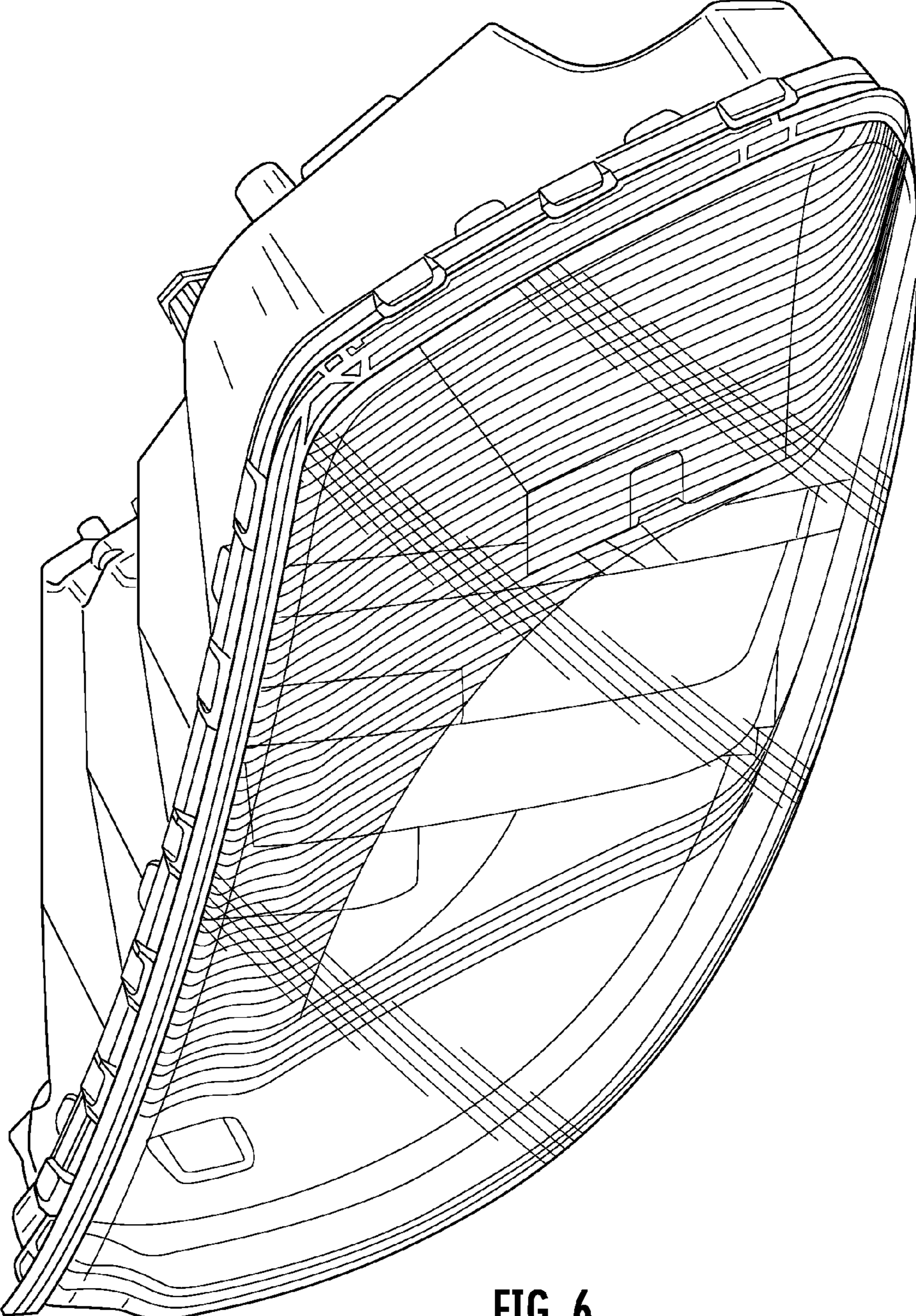


FIG. 6

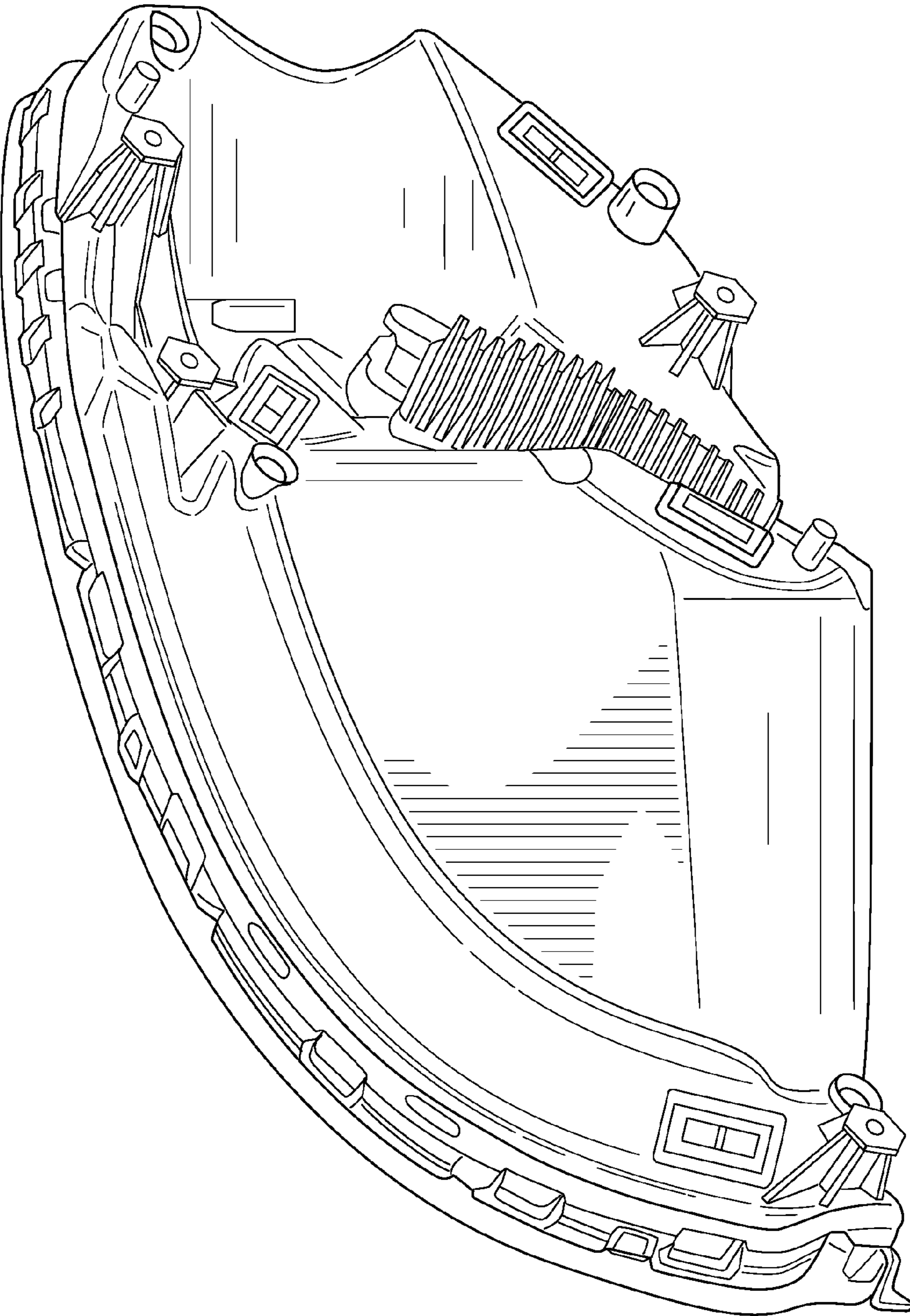


FIG. 7



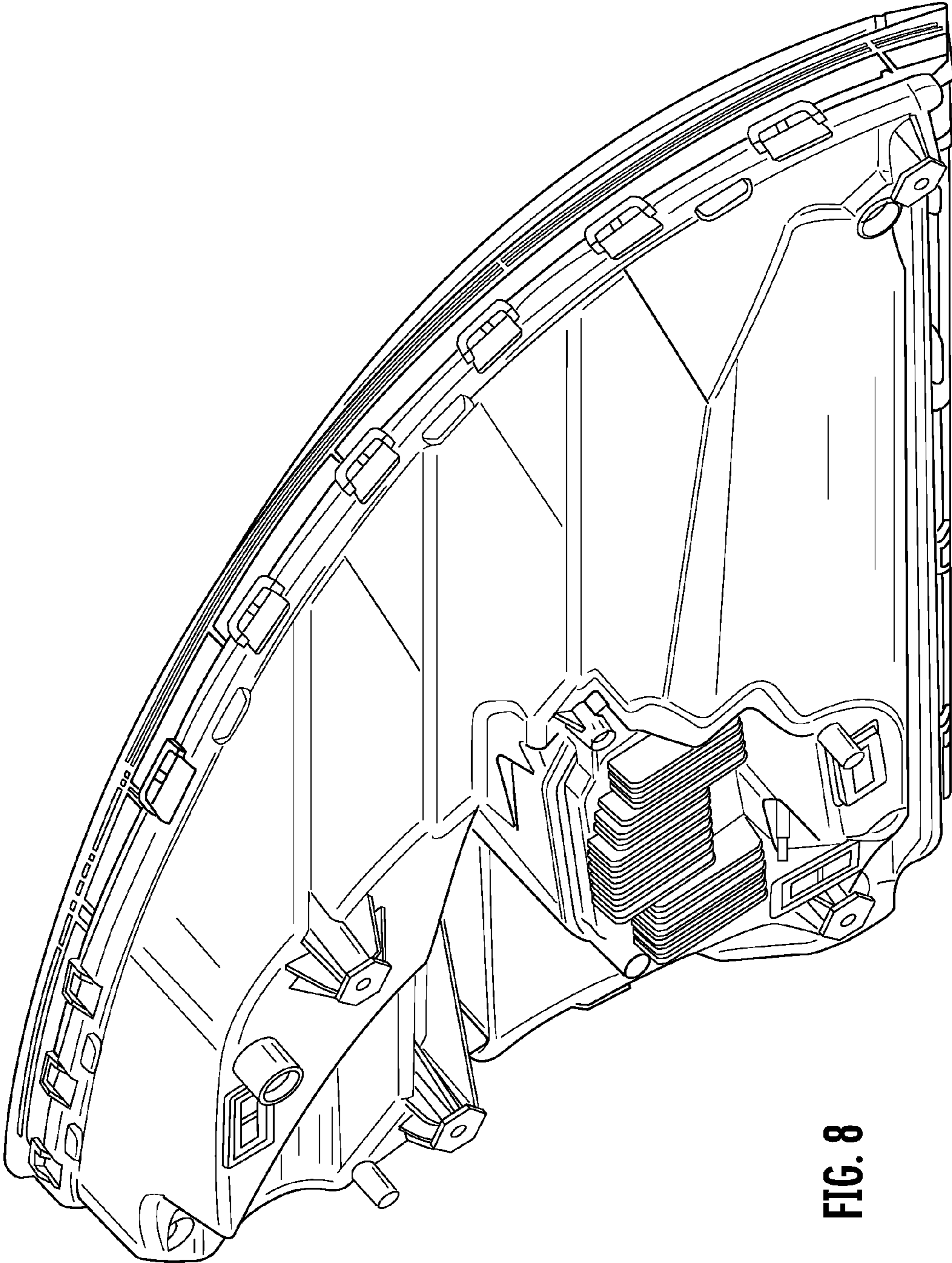


FIG. 8

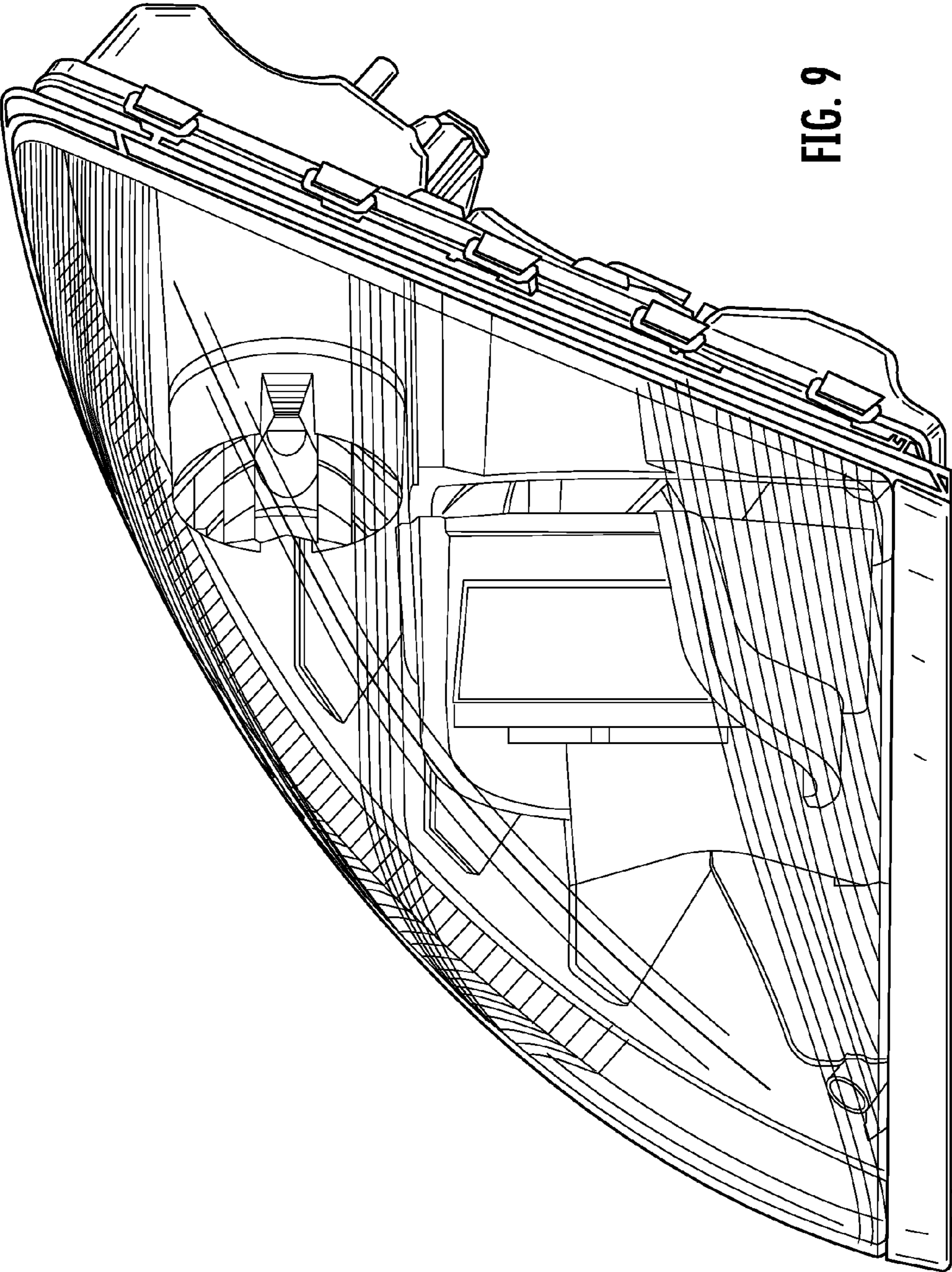


FIG. 9