



US00D693948S

(12) **United States Design Patent**
Reier et al.

(10) **Patent No.:** **US D693,948 S**

(45) **Date of Patent:** **** Nov. 19, 2013**

(54) **LAMP**

(71) Applicant: **Cree, Inc.**, Durham, NC (US)

(72) Inventors: **Bart P. Reier**, Cary, NC (US); **Paul Kenneth Pickard**, Morrisville, NC (US)

(73) Assignee: **Cree, Inc.**, Durham, NC (US)

(**) Term: **14 Years**

(21) Appl. No.: **29/456,413**

(22) Filed: **May 31, 2013**

Related U.S. Application Data

(62) Division of application No. 13/803,841, filed on Mar. 14, 2013.

(51) **LOC (9) Cl.** **26-04**

(52) **U.S. Cl.**
USPC **D26/2**

(58) **Field of Classification Search**
USPC D26/1-4; 313/313, 315, 316, 317, 318,
313/493; 315/52, 53, 56, 57, 58
See application file for complete search history.

(56) **References Cited**

U.S. PATENT DOCUMENTS

D508,575 S * 8/2005 Buschmann et al. D26/2
D528,227 S * 9/2006 Chou et al. D26/2

(Continued)

OTHER PUBLICATIONS

U.S. Appl. No. 13/803,841, filed Mar. 14, 2013.

(Continued)

Primary Examiner — Marcus Jackson

(74) *Attorney, Agent, or Firm* — Dennis J. Williamson;
Moore & Van Allen PLLC

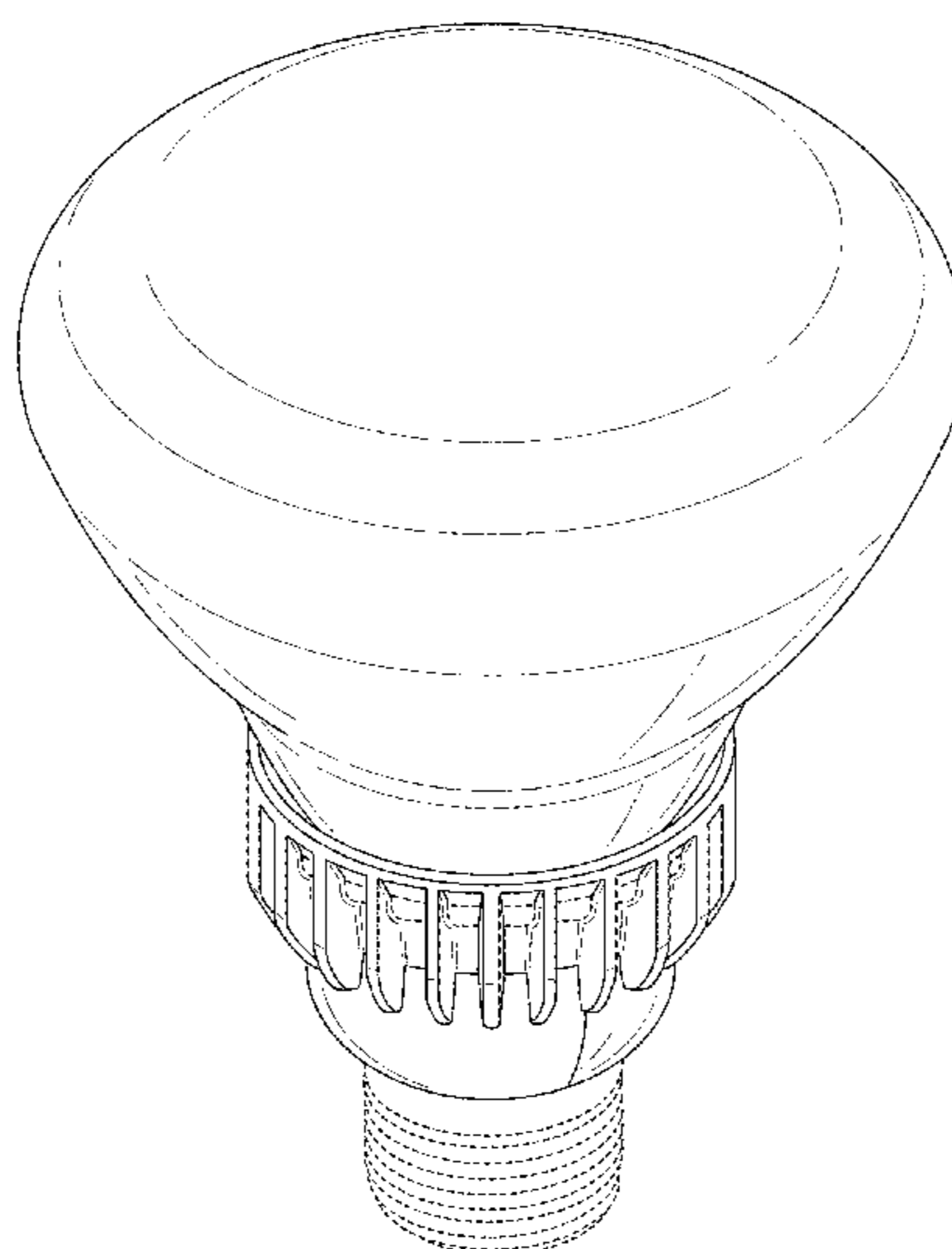
(57) **CLAIM**

We claim the ornamental design for a lamp, as shown and described.

DESCRIPTION

FIG. 1 is a front view of an embodiment of a lamp;
FIG. 2 is a back view of the embodiment of the lamp sink of FIG. 1;
FIG. 3 is a right side view of the embodiment of the lamp of FIG. 1;
FIG. 4 is a left side view of the embodiment of the lamp of FIG. 1;
FIG. 5 is a top view of the embodiment of the lamp of FIG. 1;
FIG. 6 is a bottom view of the embodiment of the lamp of FIG. 1;
FIG. 7 is a top perspective view of the embodiment of the lamp of FIG. 1;
FIG. 8 is a bottom perspective view of the embodiment of the lamp of FIG. 1;
FIG. 9 is a front view of an alternate embodiment of a lamp;
FIG. 10 is a back view of the embodiment of the lamp of FIG. 9;
FIG. 11 is a right side view of the embodiment of the lamp of FIG. 9;
FIG. 12 is a left side view of the embodiment of the lamp of FIG. 9;
FIG. 13 is a top view of the embodiment of the lamp of FIG. 9;
FIG. 14 is a bottom view of the embodiment of the lamp of FIG. 9;
FIG. 15 is a top perspective view of the embodiment of the lamp of FIG. 9; and,
FIG. 16 is a bottom perspective view of the embodiment of the lamp of FIG. 9.
The broken line showing of the lower portion of the lamp is included for the purpose of illustrating only and forms no part of the claimed design.

1 Claim, 10 Drawing Sheets



(56)

References Cited

OTHER PUBLICATIONS

U.S. PATENT DOCUMENTS

D531,741 S * 11/2006 Takahashi D26/2
D534,665 S * 1/2007 Egawa et al. D26/2
D538,950 S * 3/2007 Maxik D26/2
D538,953 S * 3/2007 Mama D26/2
D544,109 S 6/2007 Tsuruha et al.
D600,367 S 9/2009 Bertram et al.
D613,887 S 4/2010 Lee et al.
D617,475 S 6/2010 Hiraga et al.
D617,918 S 6/2010 Yamamoto et al.
D648,872 S 11/2011 Kim et al.
D671,238 S * 11/2012 Du et al. D26/2

U.S. Appl. No. 29/435,253, filed Oct. 22, 2012.
U.S. Appl. No. 29/435,254, filed Oct. 22, 2012.
U.S. Appl. No. 29/452,550, filed Apr. 18, 2013.
U.S. Appl. No. 29/452,552, filed Apr. 18, 2013.
3 Watt—Dimmable, LED Light Bulb, 1000Bulbs.com.
TCP—3 Watt—Dimmable LED—G16.5, 1000Bulbs.com.
Energy Star® Program Requirements for Integral LED Lamps, Mar.
22, 2010, pp. 1-30.
TCP PRO, LED Dimmable Decorative Series.
Lighting Science, Introduction to LSGC, Satellite Beach, Florida,
Dec. 11, 2012.

* cited by examiner

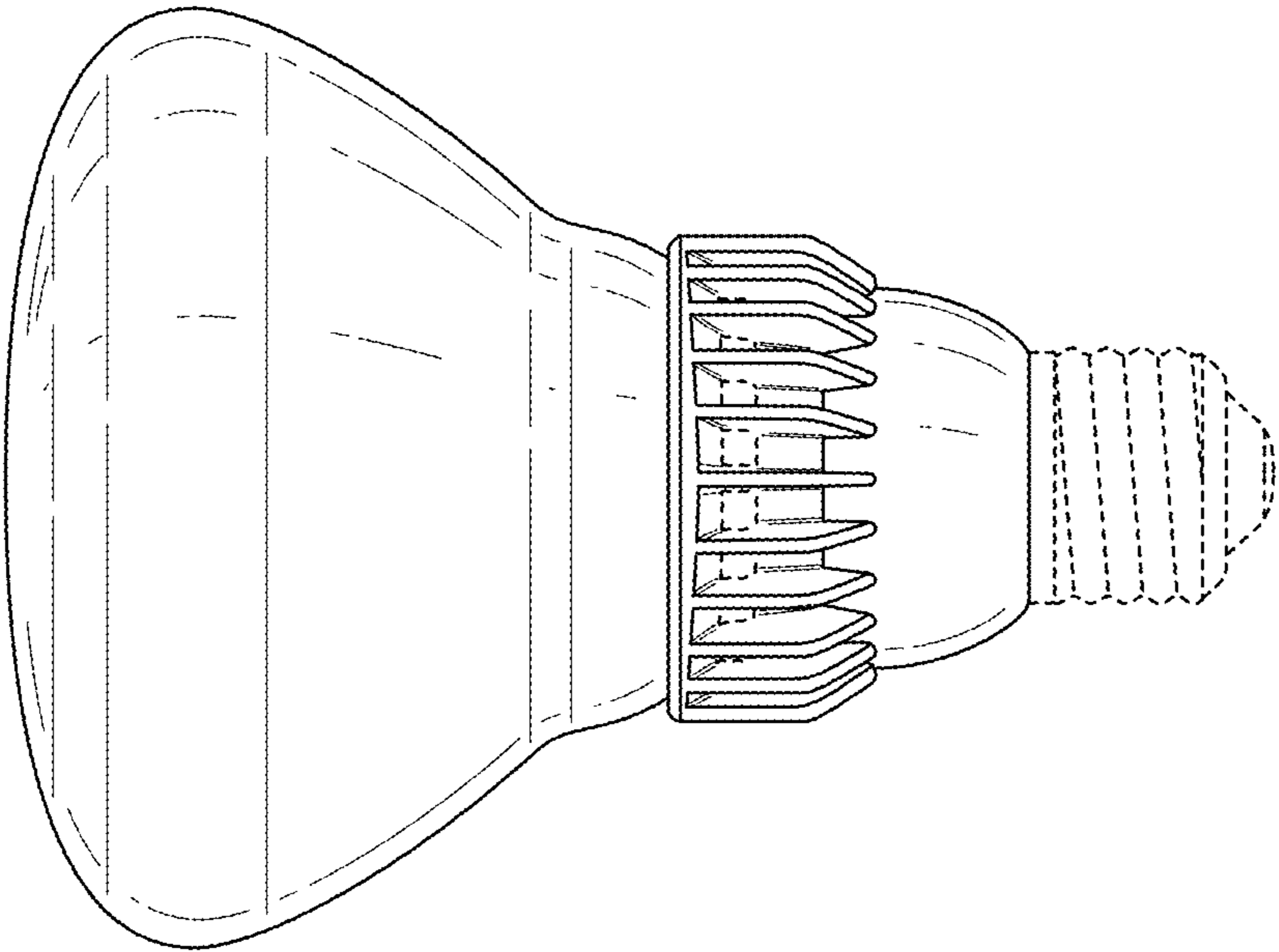


FIG. 1

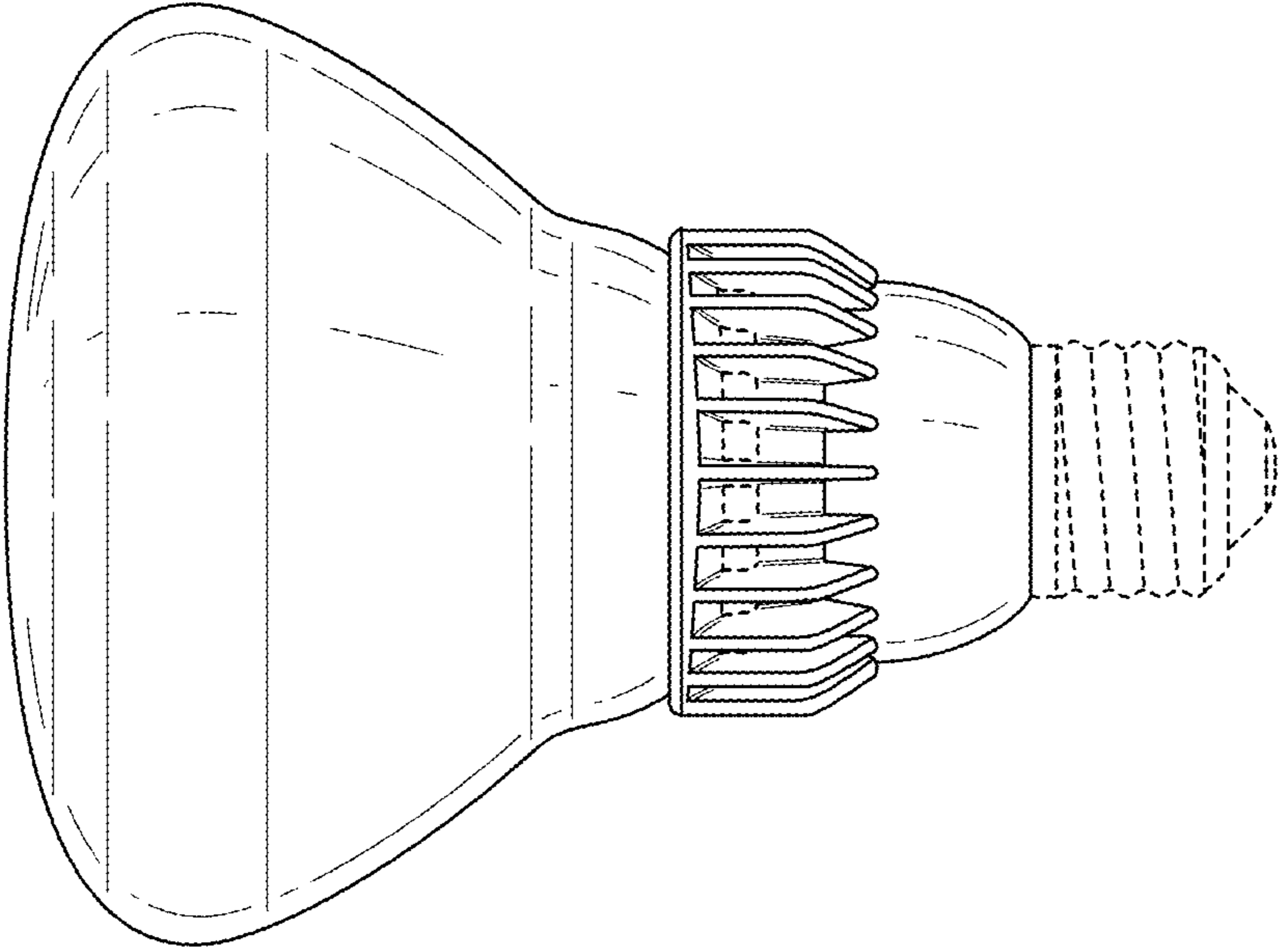


FIG. 2

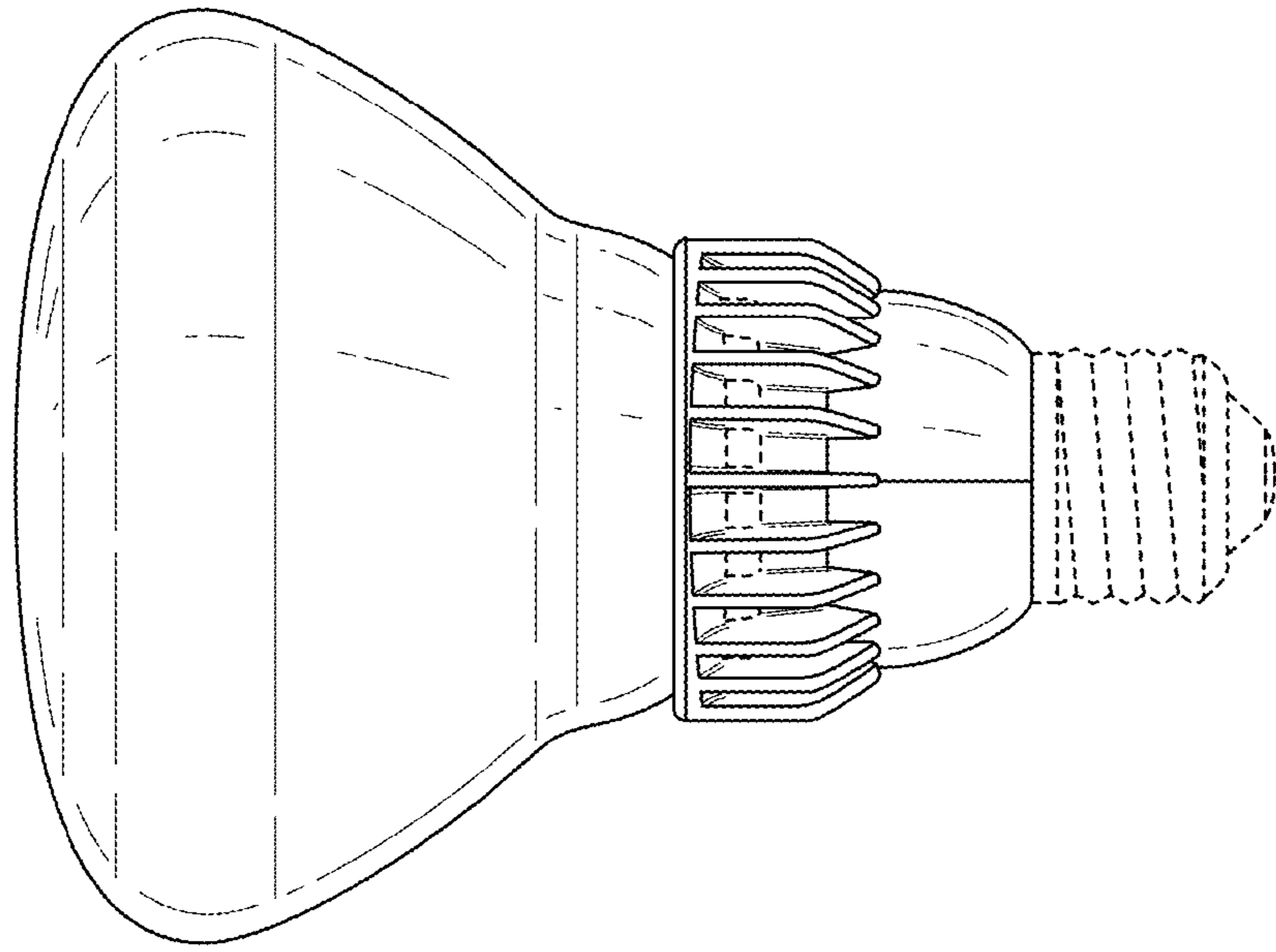


FIG. 3

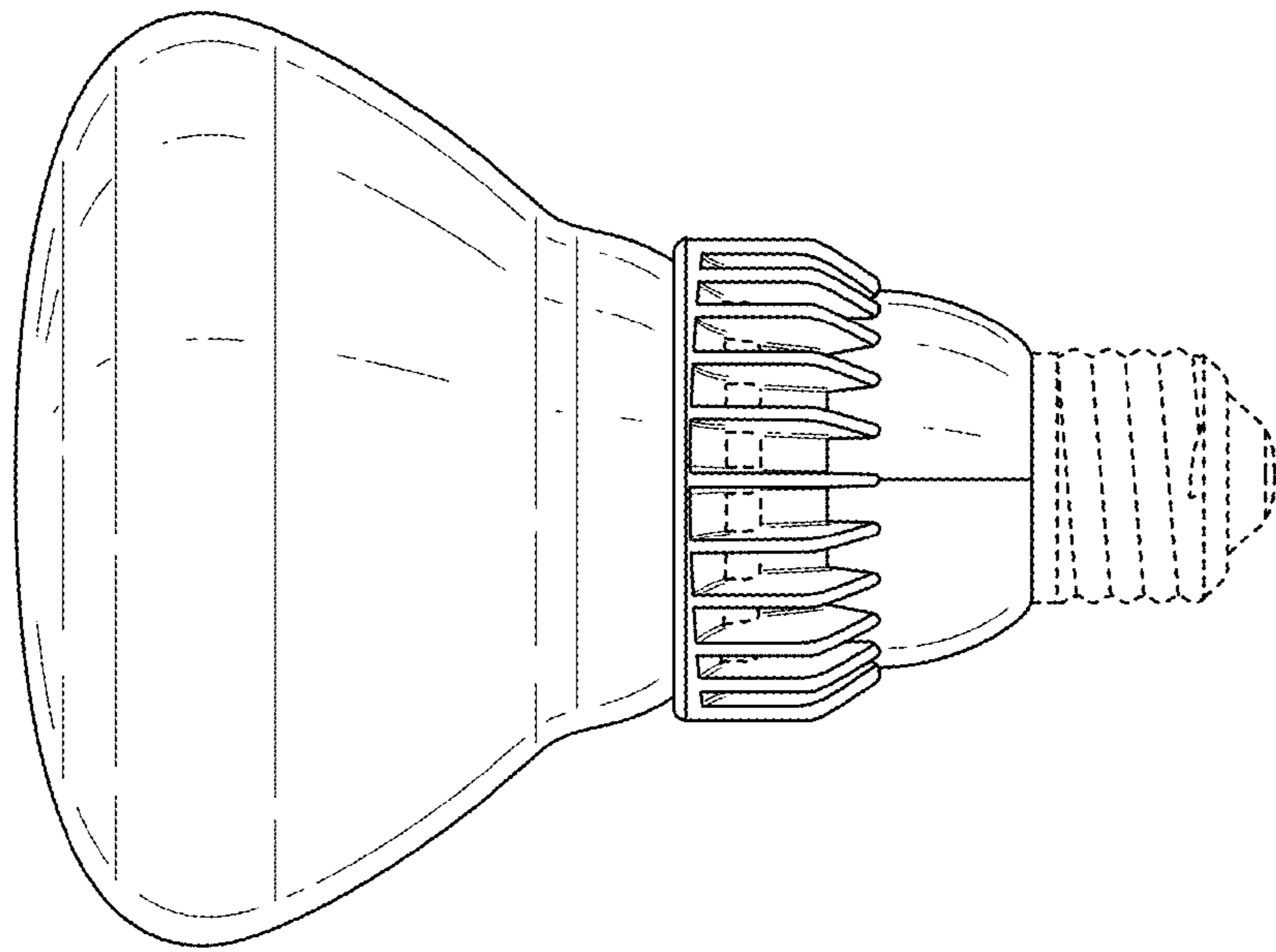


FIG. 4

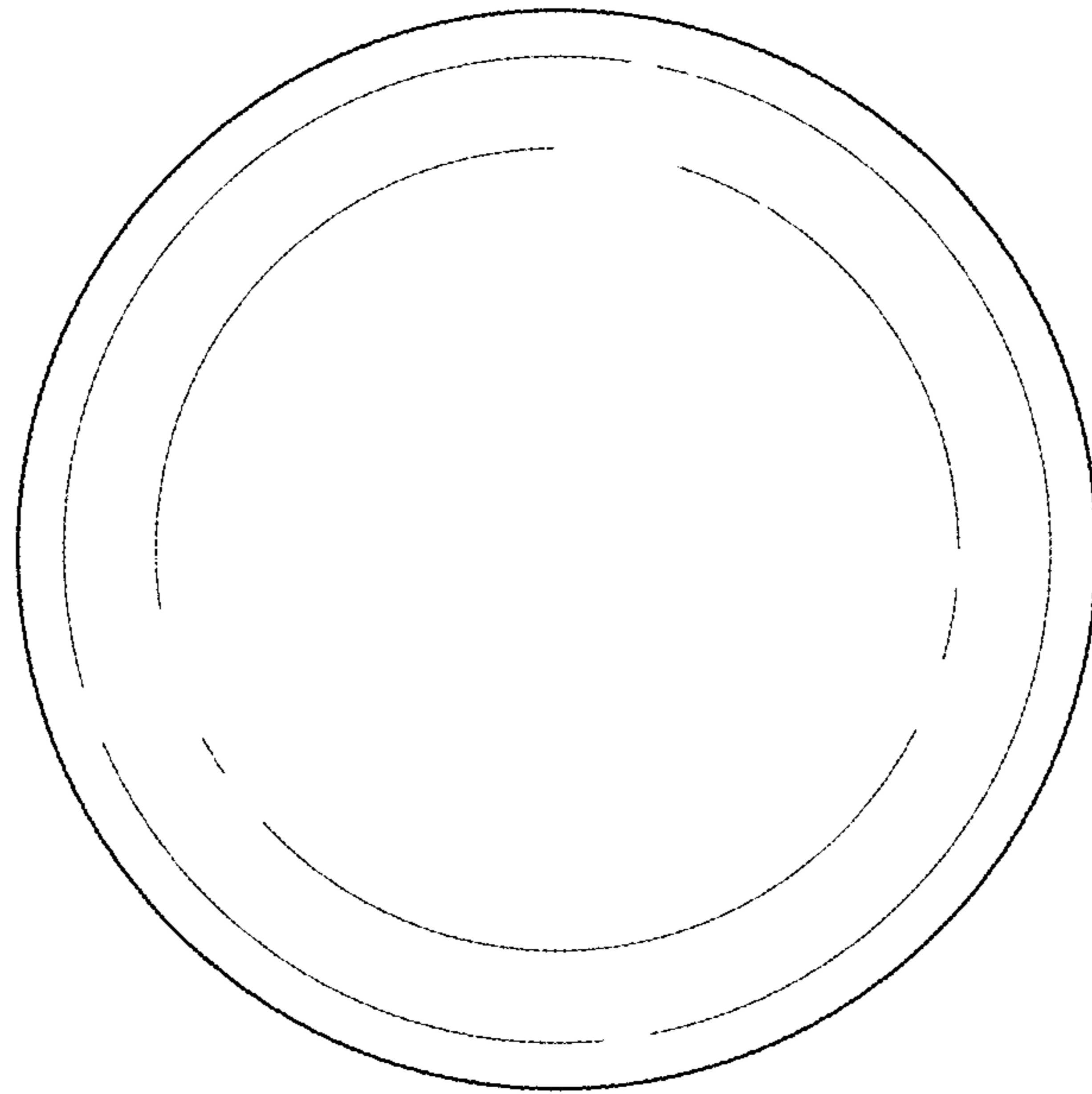


FIG. 5

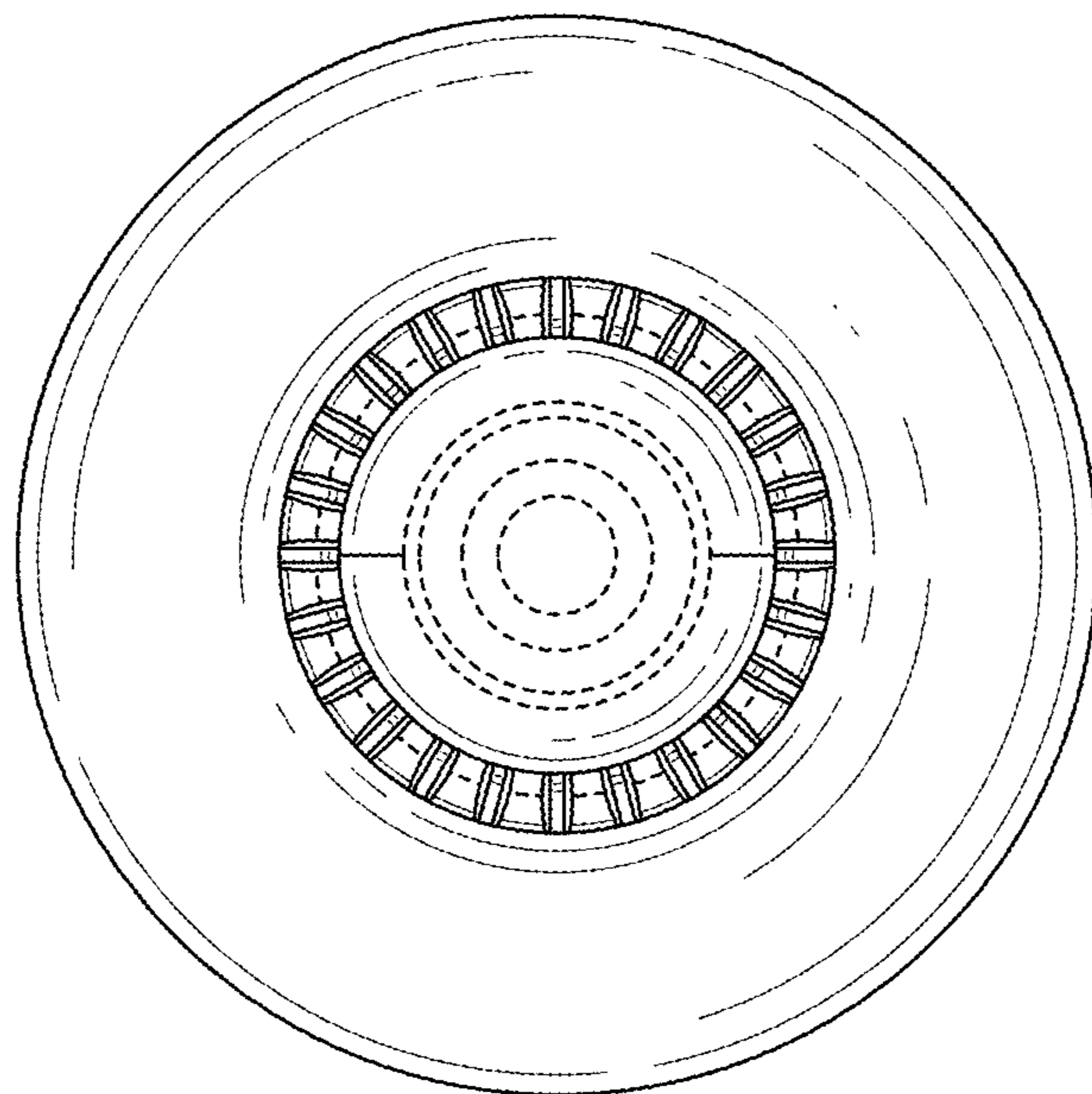


FIG. 6

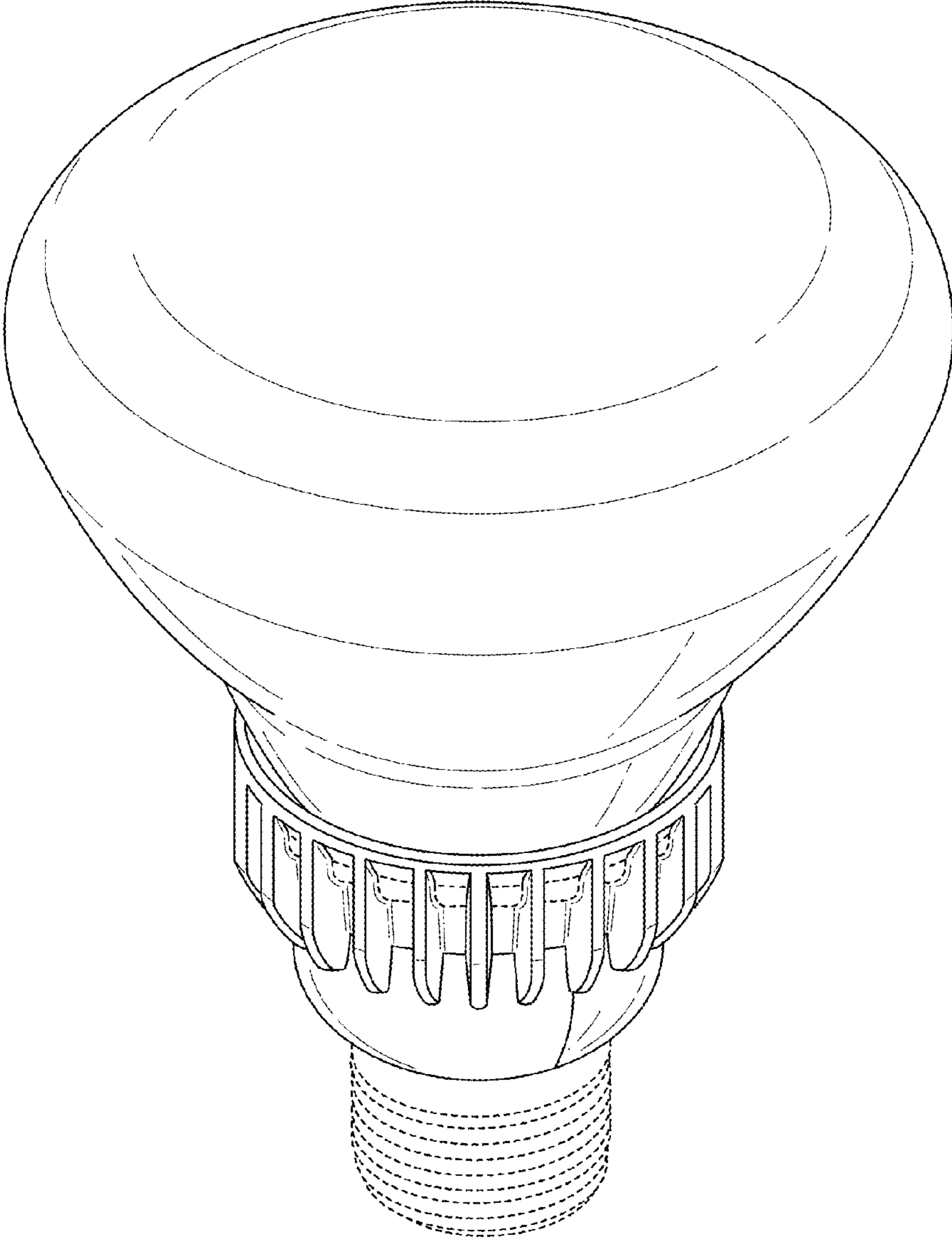


FIG. 7

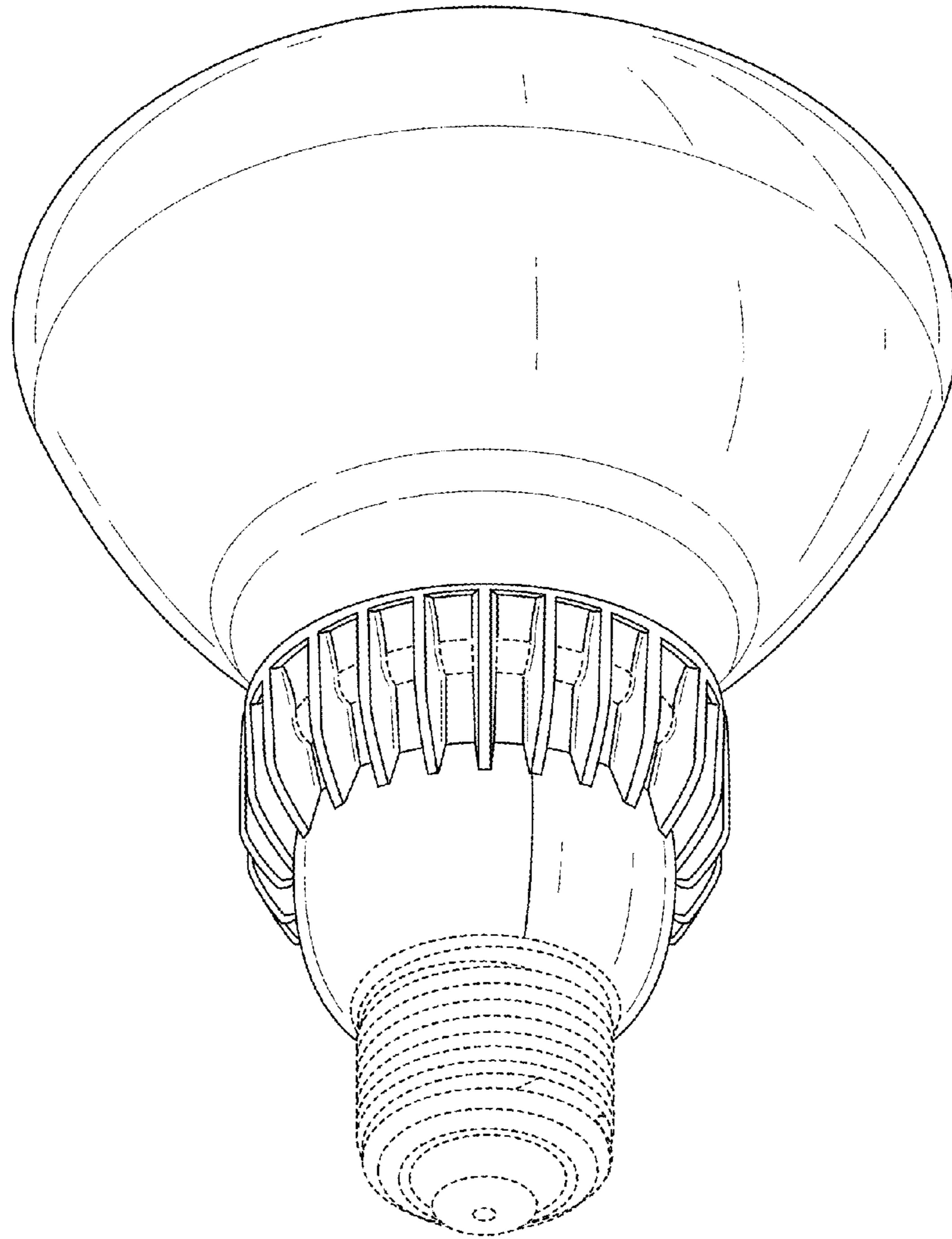


FIG. 8

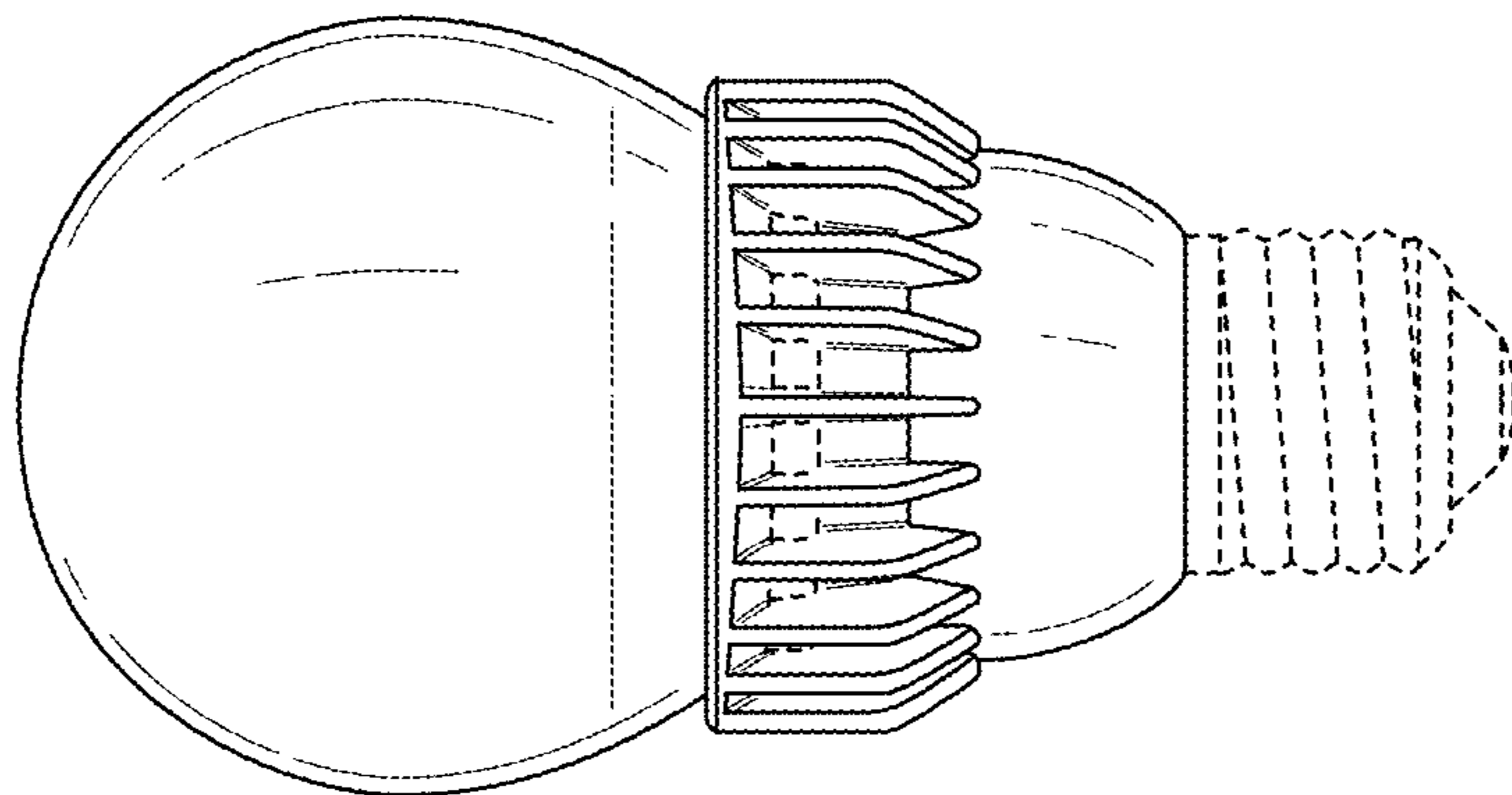


FIG. 9

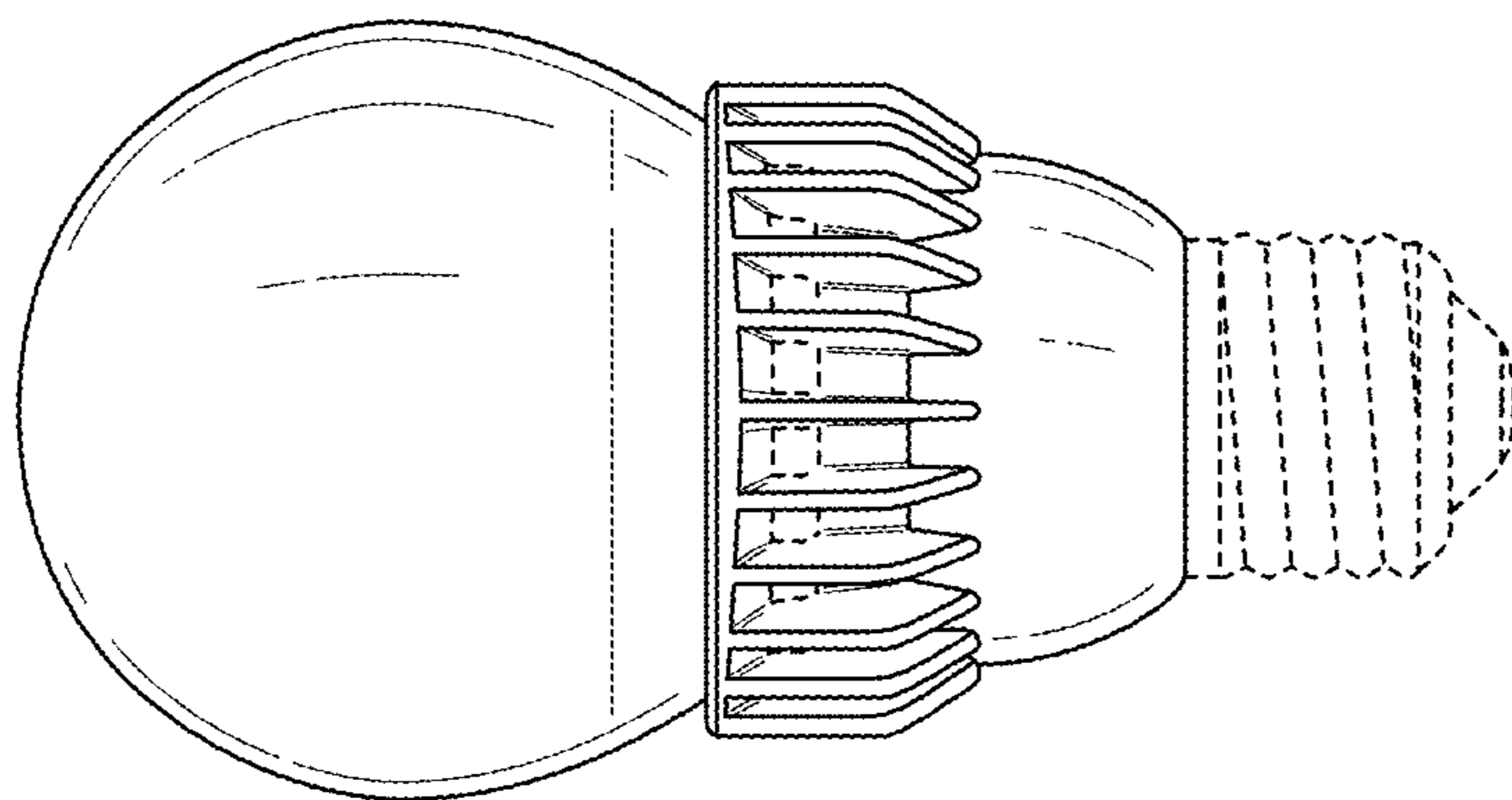


FIG. 10

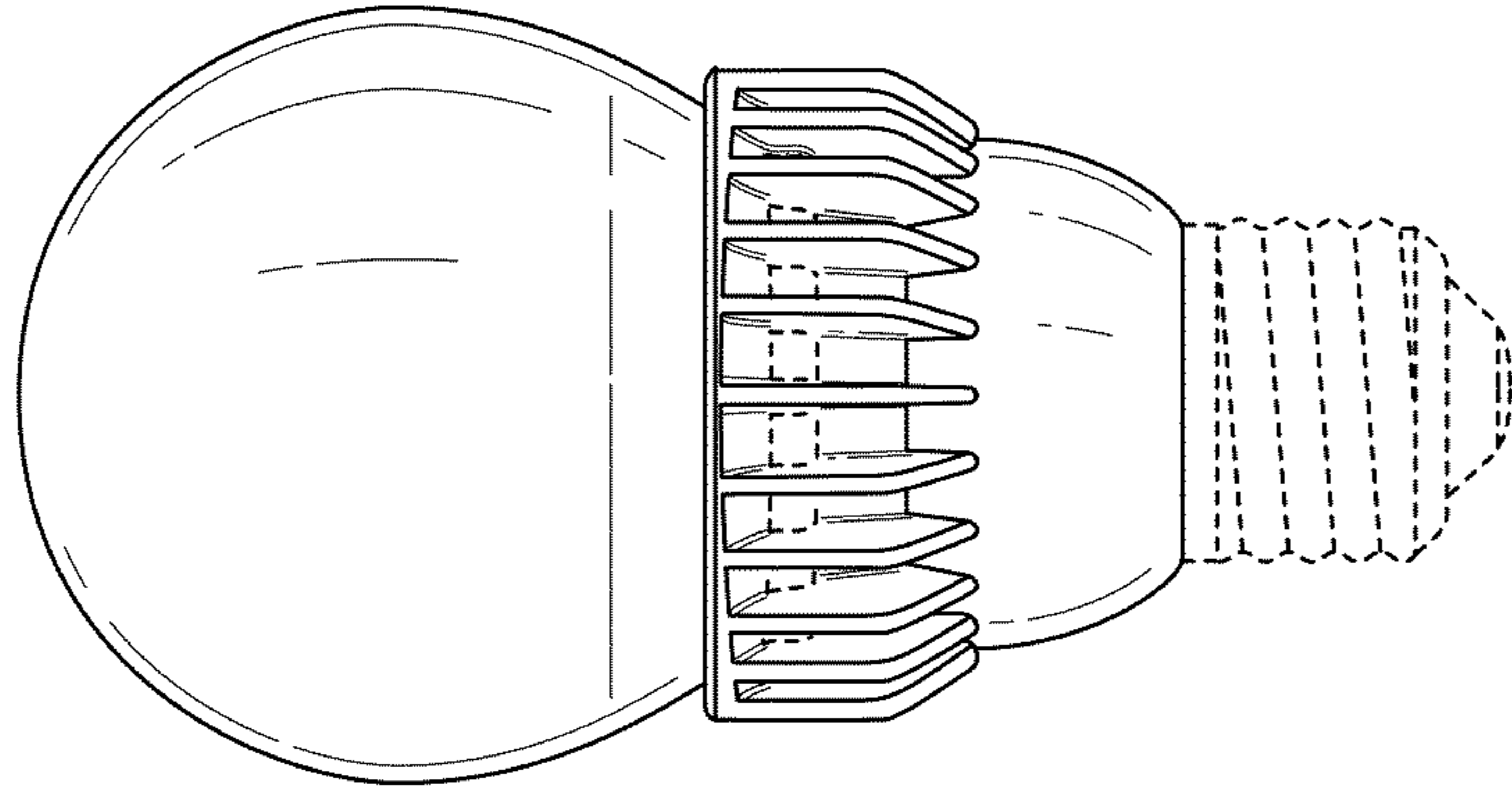


FIG. 12

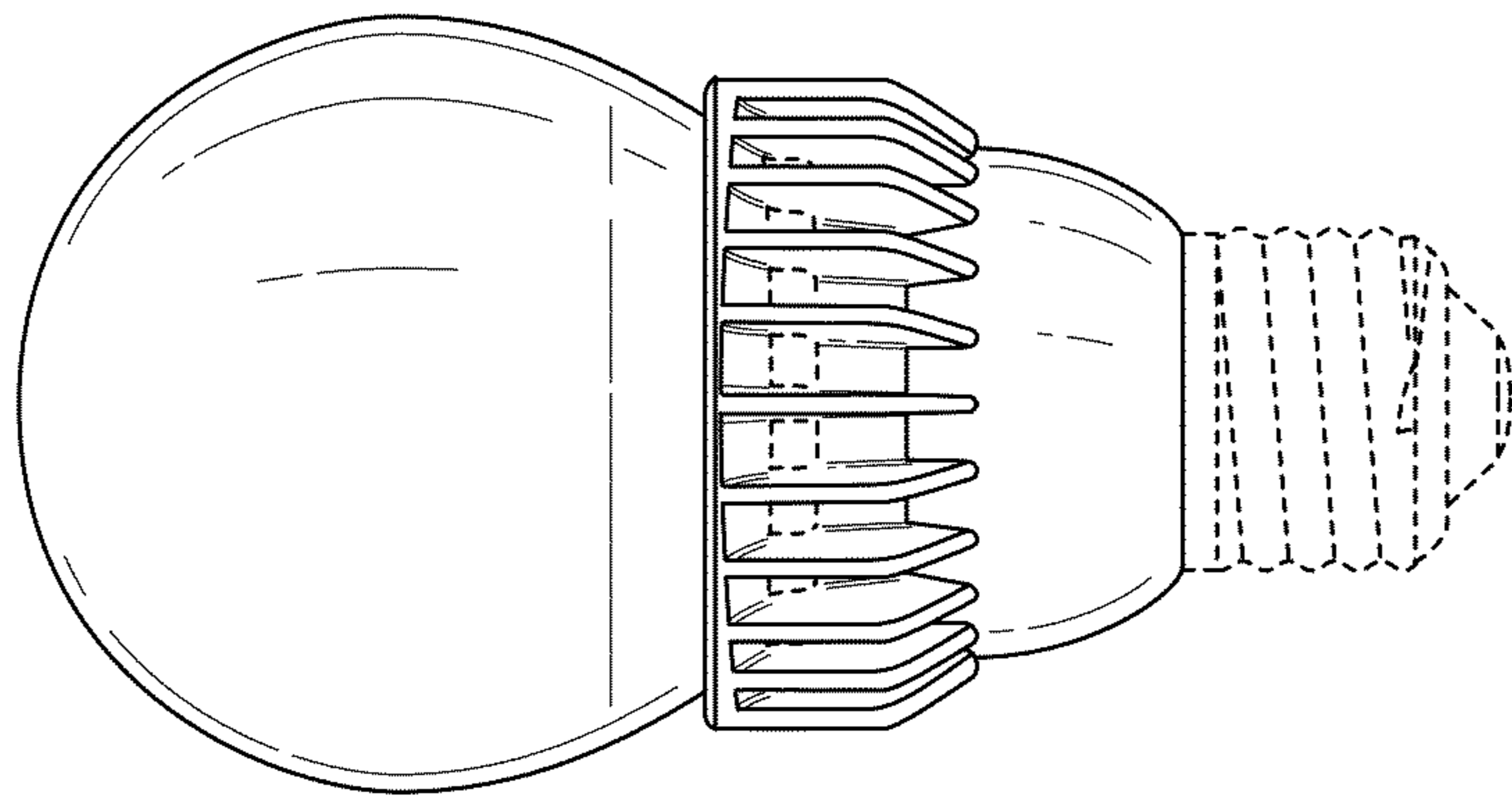


FIG. 11

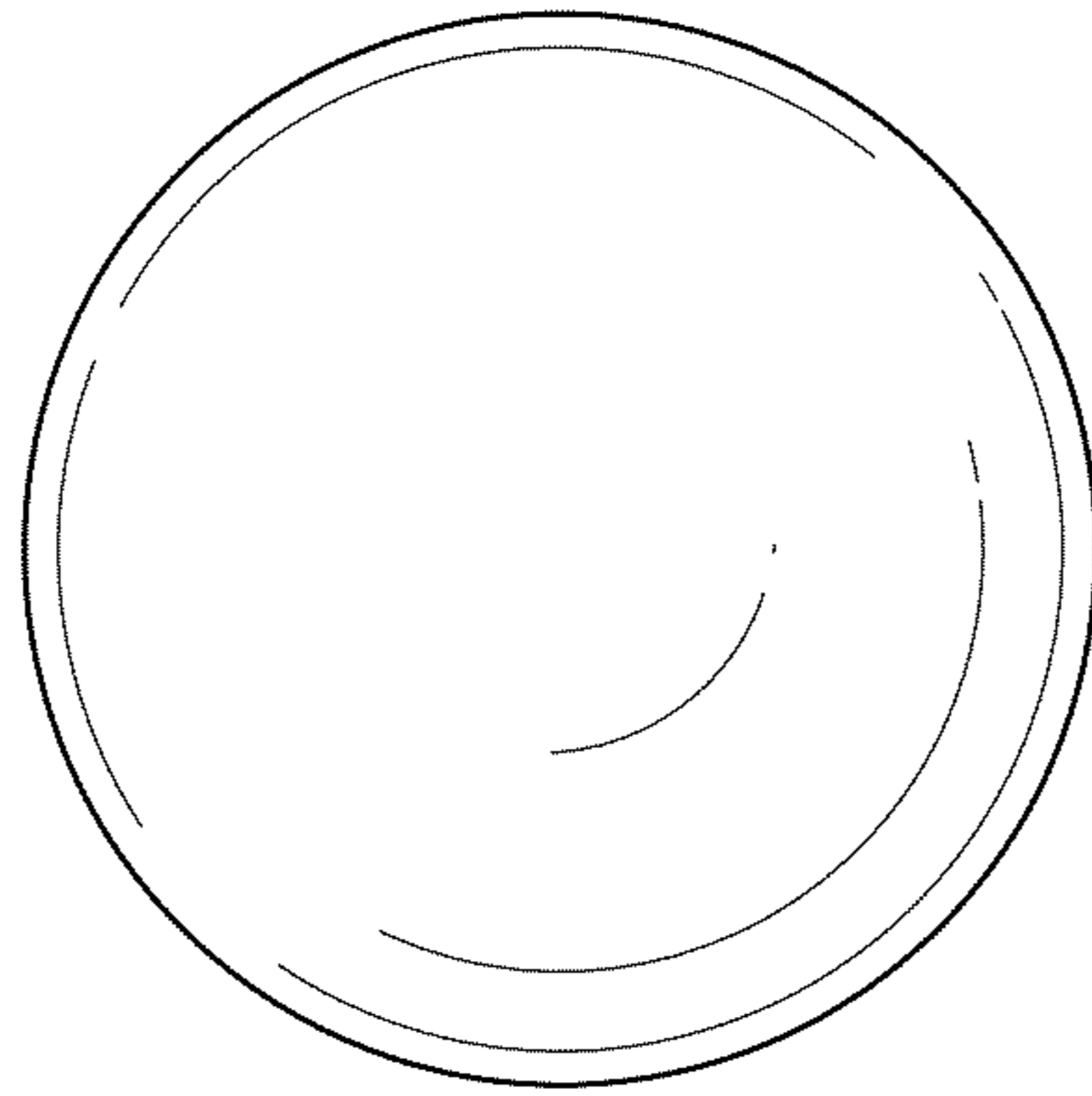


FIG. 13

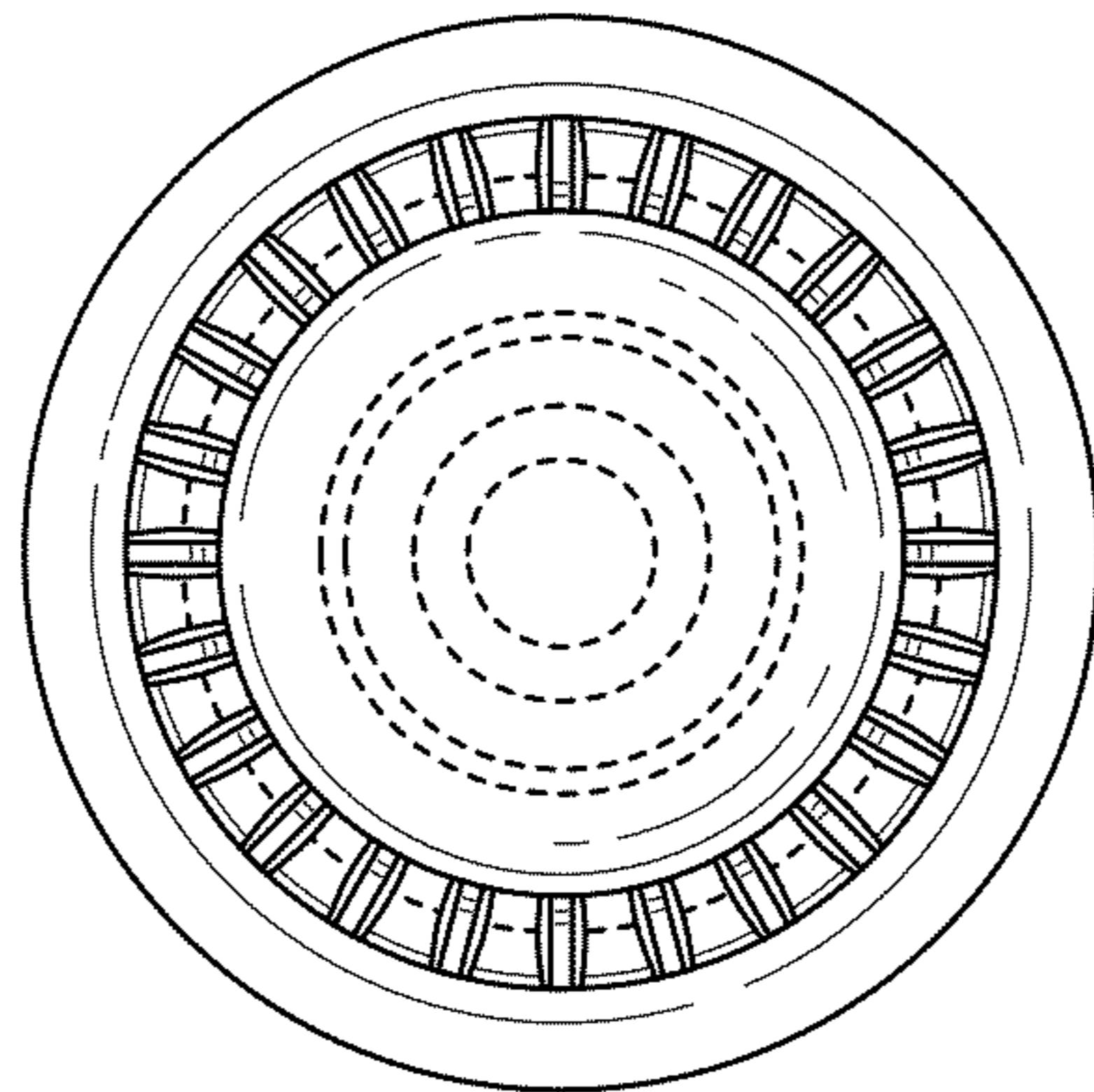


FIG. 14

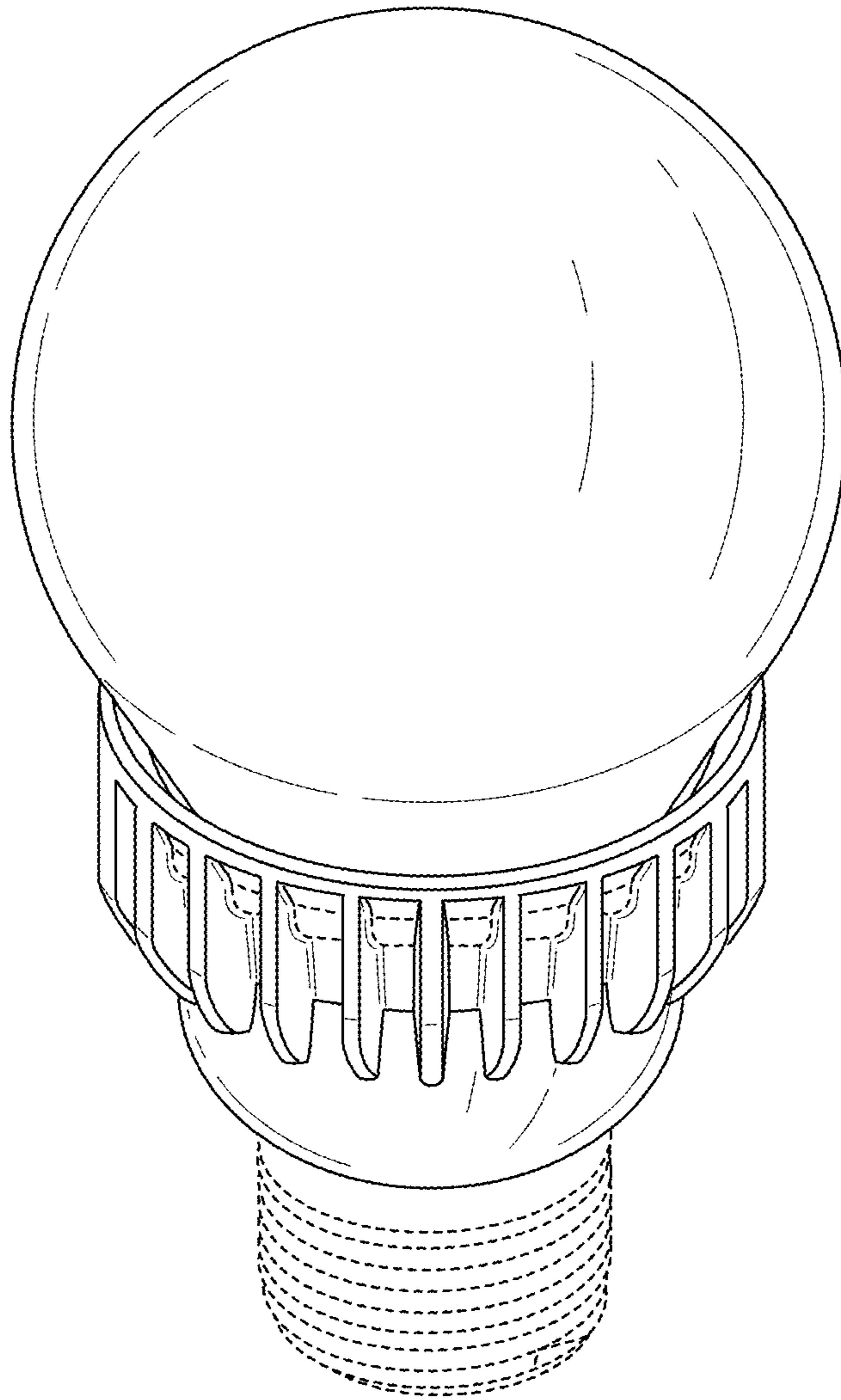


FIG. 15

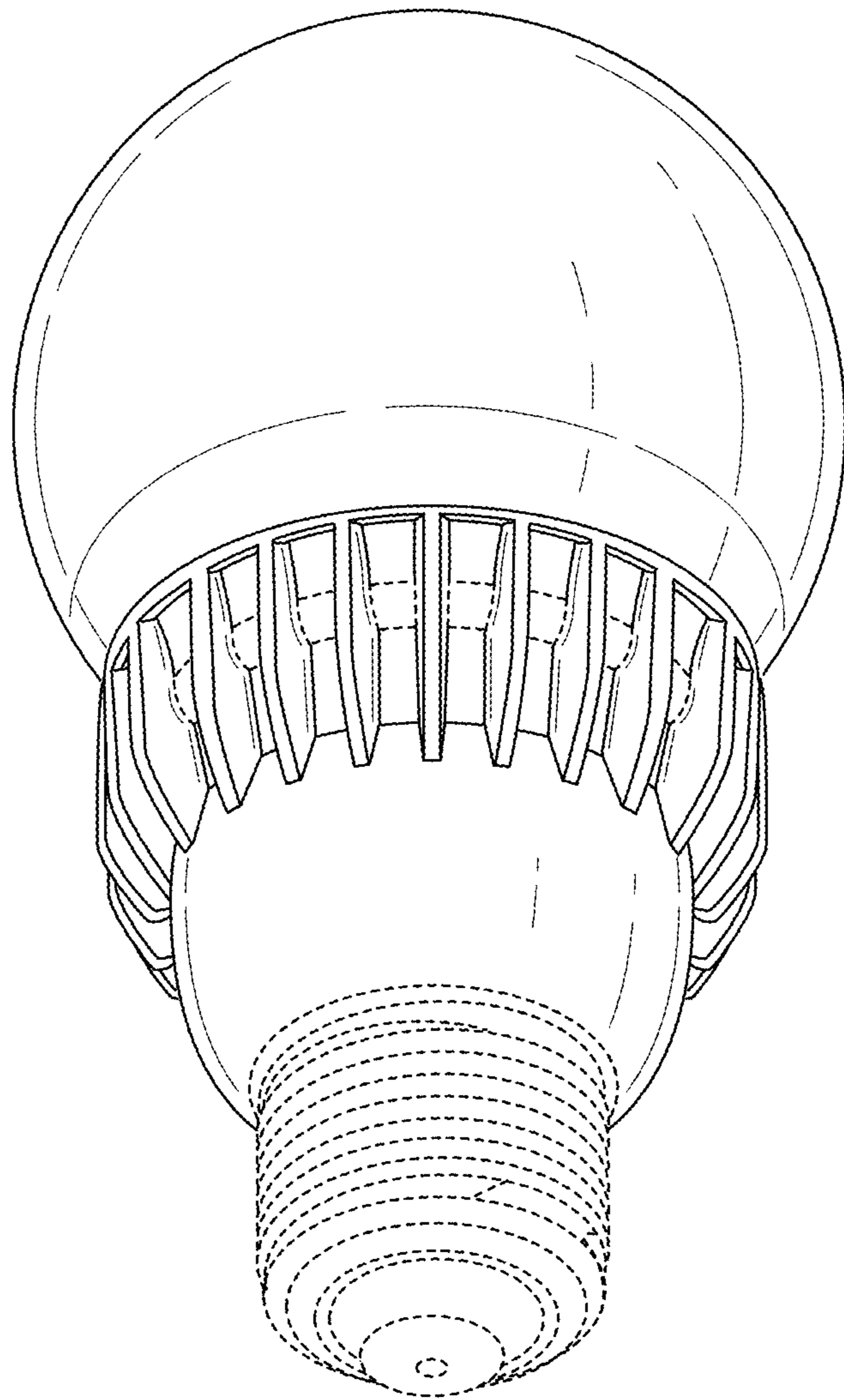


FIG. 16