

US00D693947S

(12) **United States Design Patent**
Wiegel et al.

(10) **Patent No.:** **US D693,947 S**

(45) **Date of Patent:** **** Nov. 19, 2013**

(54) **LAMP HEAD FOR LIGHT FIXTURES**

(56) **References Cited**

(71) Applicants: **Aaron J. Wiegel**, Benton, WI (US);
Jason Dondlinger, Bellevue, IA (US);
Joe Korman, Dubuque, IA (US); **Lucas I. Paruch**, Dubuque, IA (US); **Ronald P. Snyder**, Dubuque, IA (US)

U.S. PATENT DOCUMENTS

D542,943	S	*	5/2007	Wang	D26/2
D546,980	S	*	7/2007	Lo	D26/2
D549,854	S	*	8/2007	Takahashi et al.	D26/2
D566,300	S	*	4/2008	Lo	D26/2
D582,578	S	*	12/2008	Tsai et al.	D26/2
D593,223	S	*	5/2009	Komar	D26/2
D647,646	S	*	10/2011	Tsung	D26/2

(72) Inventors: **Aaron J. Wiegel**, Benton, WI (US);
Jason Dondlinger, Bellevue, IA (US);
Joe Korman, Dubuque, IA (US); **Lucas I. Paruch**, Dubuque, IA (US); **Ronald P. Snyder**, Dubuque, IA (US)

* cited by examiner

Primary Examiner — Marcus Jackson
(74) *Attorney, Agent, or Firm* — Hanley, Flight & Zimmerman, LLC

(73) Assignee: **Rite-Hite Holding Corporation**,
Milwaukee, WI (US)

(57) **CLAIM**
The ornamental design of a “lamp head for light fixtures,” as shown and described.

(**) Term: **14 Years**

DESCRIPTION

(21) Appl. No.: **29/445,240**

(22) Filed: **Feb. 8, 2013**

(51) **LOC (9) Cl.** **26-04**

(52) **U.S. Cl.**
USPC **D26/2**

(58) **Field of Classification Search**
USPC D26/1-4; 313/313, 315, 316, 317, 318,
313/493; 315/52, 53, 56, 57, 58
See application file for complete search history.

FIG. 1 is a front, right perspective view of an example “lamp head for light fixtures” in accordance with our new design disclosed herein;
FIG. 2 is a front view of the example lamp head of FIG. 1;
FIG. 3 is a back view of the example lamp head of FIG. 1;
FIG. 4 is a right side view of the example lamp head of FIG. 1;
FIG. 5 is a left side view of the example lamp head of FIG. 1;
FIG. 6 is a top view of the example lamp head of FIG. 1; and,
FIG. 7 is a bottom view of the example lamp head of FIG. 1.
The portions shown in broken lines are for illustrative purposes only and form no part of the claimed design.

1 Claim, 2 Drawing Sheets

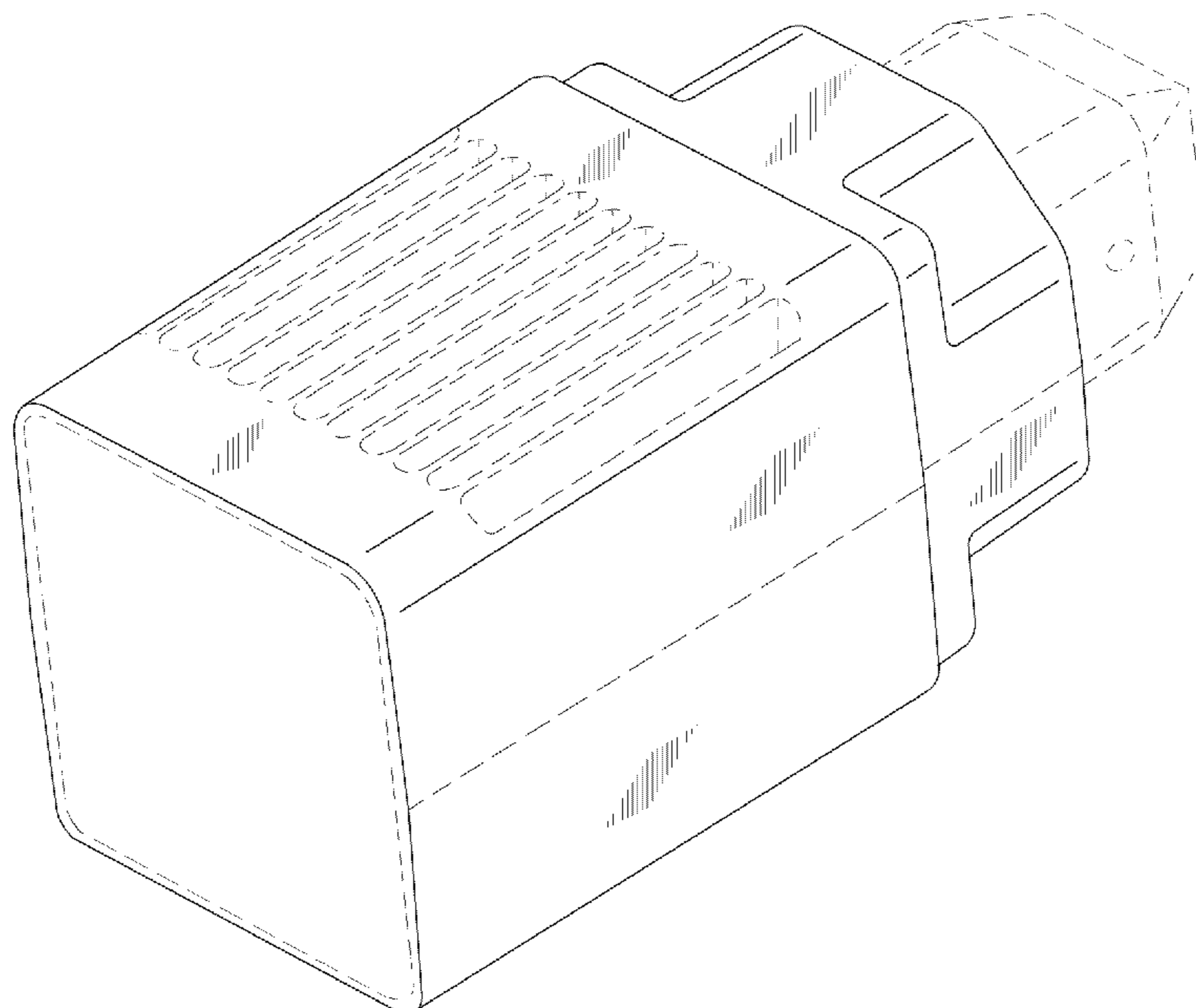


FIG. 1

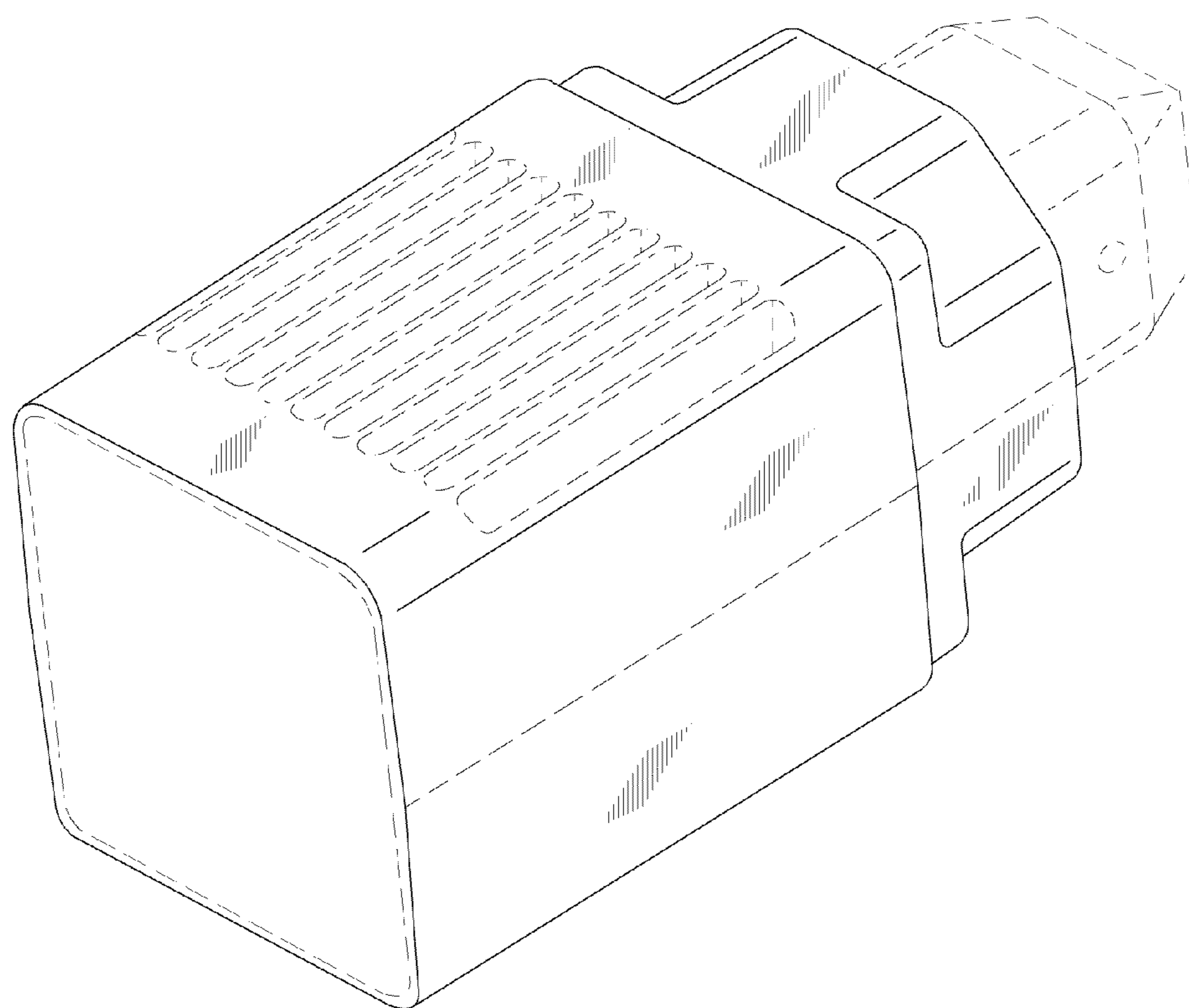


FIG. 2

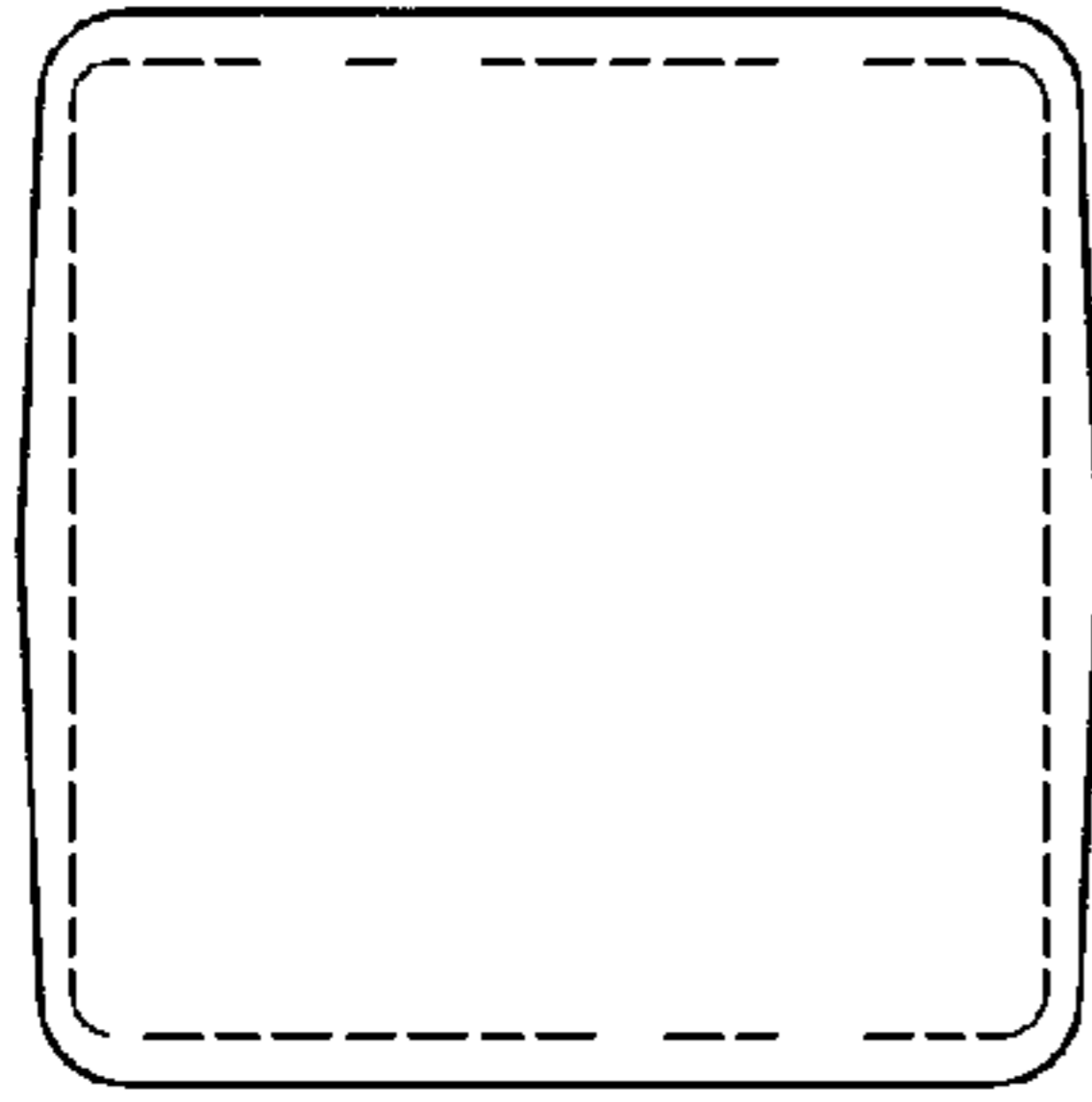


FIG. 3

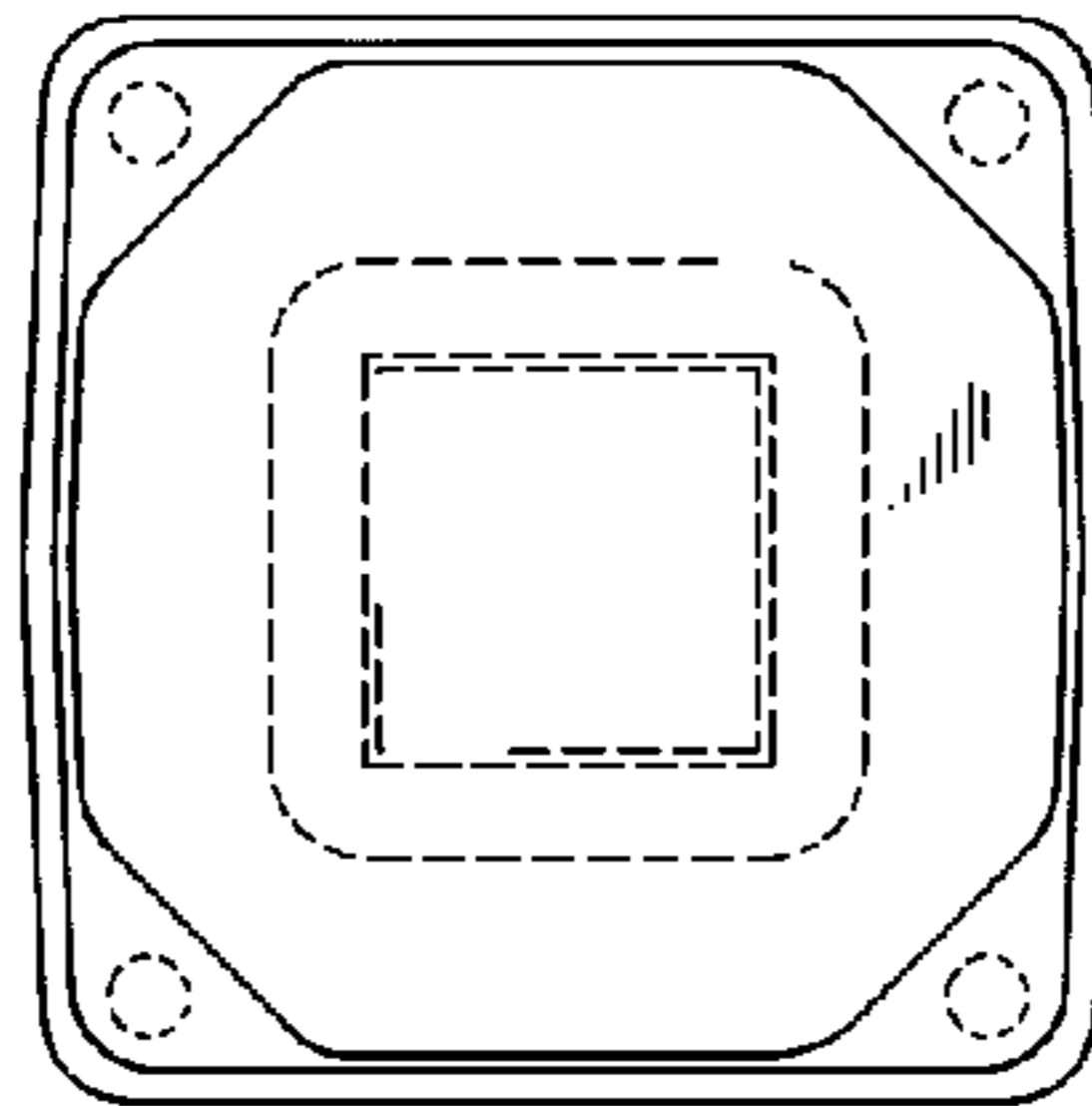


FIG. 4

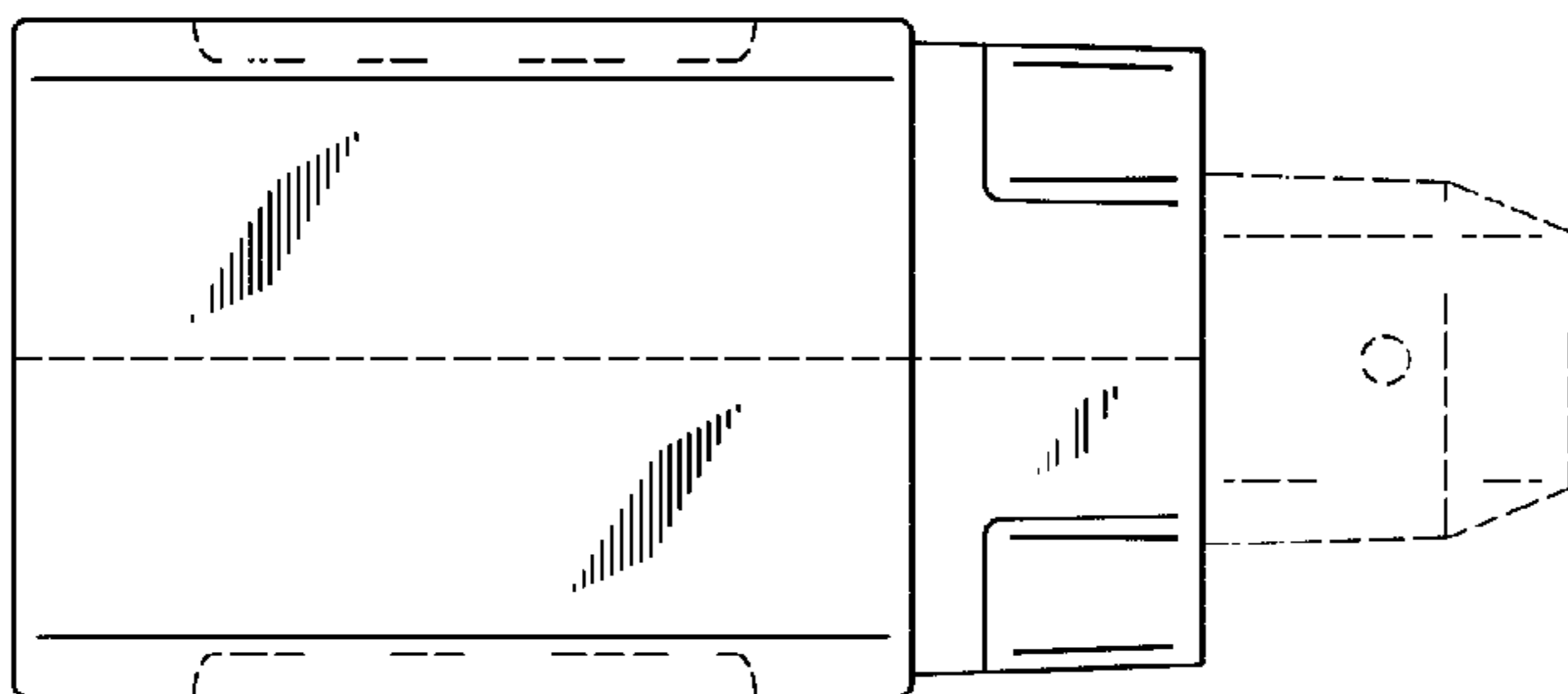


FIG. 5

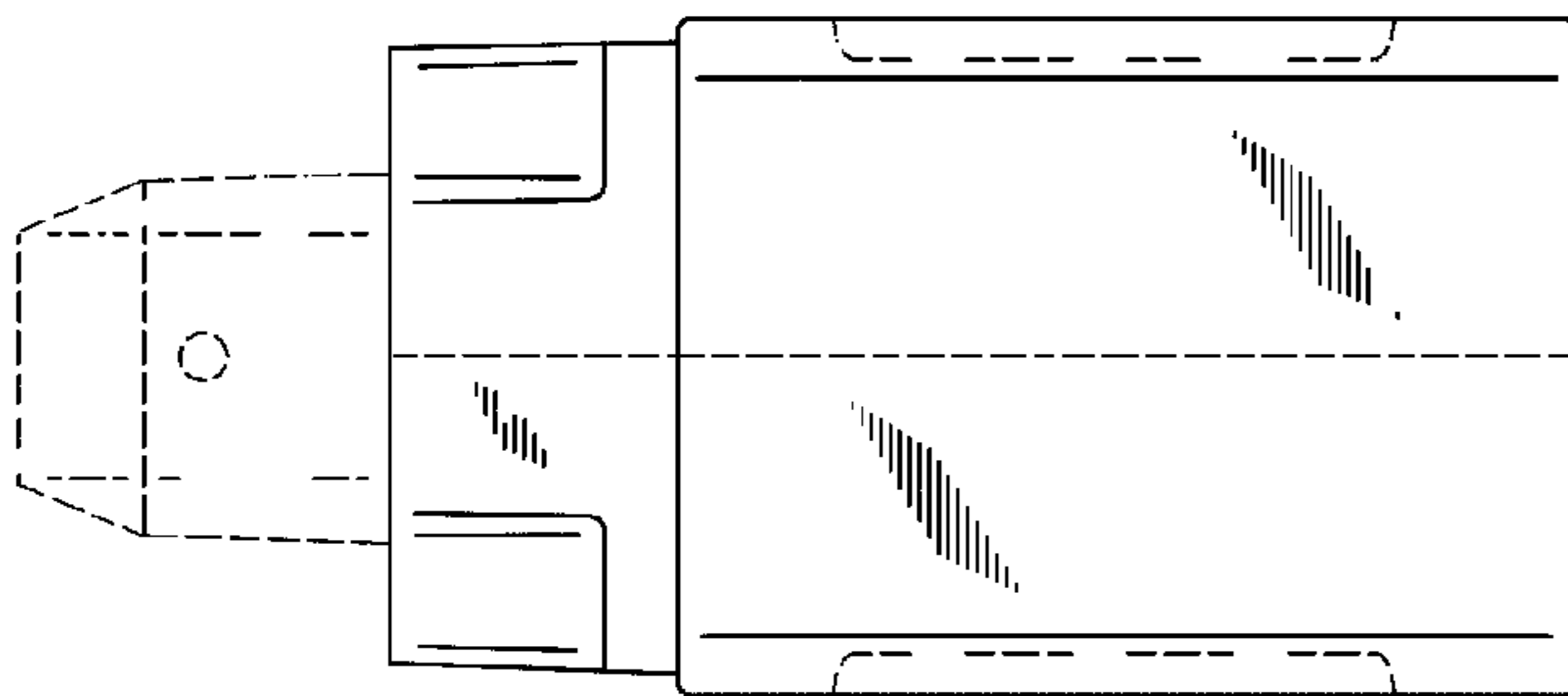


FIG. 6

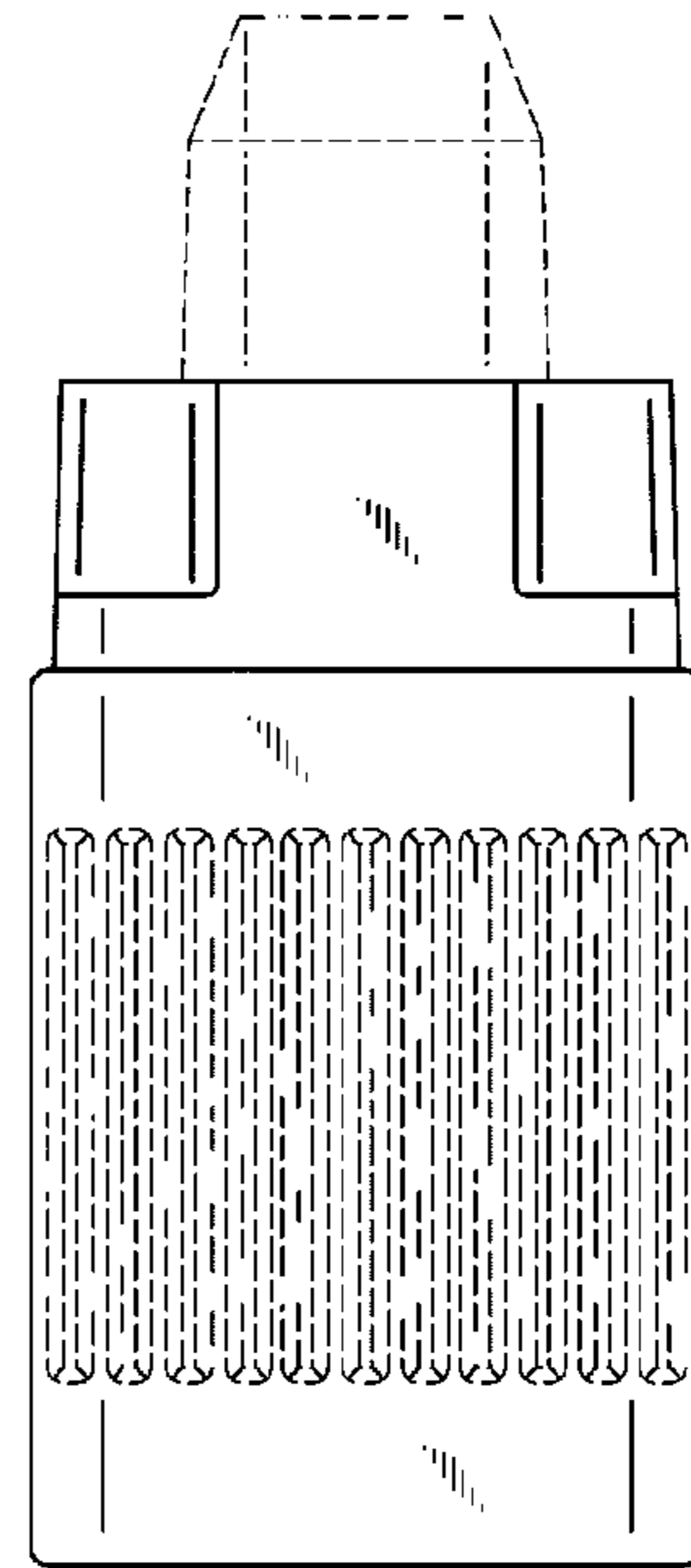
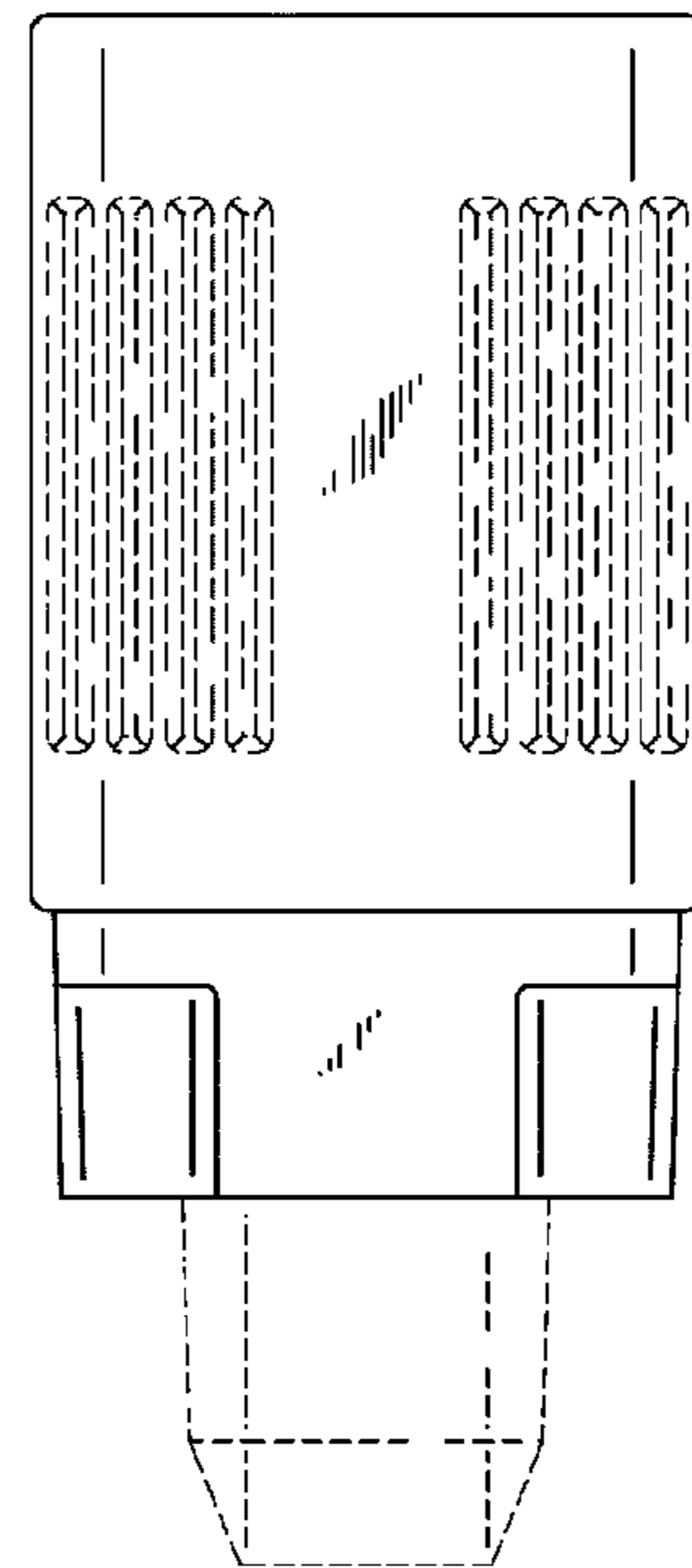


FIG. 7



UNITED STATES PATENT AND TRADEMARK OFFICE
CERTIFICATE OF CORRECTION

PATENT NO. : D693,947 S
APPLICATION NO. : 29/445240
DATED : November 19, 2013
INVENTOR(S) : Wiegel et al.

Page 1 of 1

It is certified that error appears in the above-identified patent and that said Letters Patent is hereby corrected as shown below:

Title Page, Items (71) and (72) Applicants and Inventors is corrected to read:

-- Aaron J. Wiegel, Benton (WI);
Jason Dondlinger, Bellevue (IA);
Joe Korman, Dubuque (IA);
Lucas I. Paruch, Dubuque (IA);
Ronald P. Snyder, Dubuque (IA);
Andy Olson, Milwaukee (WI);
Charles Waugaman, Mequon (WI) --.

Signed and Sealed this
Twenty-fourth Day of November, 2015



Michelle K. Lee
Director of the United States Patent and Trademark Office