



US00D693943S

(12) **United States Design Patent**
Balentine

(10) **Patent No.:** **US D693,943 S**

(45) **Date of Patent:** **** Nov. 19, 2013**

(54) **SAWHORSE**

(76) Inventor: **Darrell Balentine**, Merkel, TX (US)

(**) Term: **14 Years**

(21) Appl. No.: **29/417,775**

(22) Filed: **Apr. 9, 2012**

(51) **LOC (9) Cl.** **25-04**

(52) **U.S. Cl.**
USPC **D25/67**

(58) **Field of Classification Search**
USPC D25/67; 182/186.4, 181.1, 183.1,
182/179.1, 153, 152
See application file for complete search history.

(56) **References Cited**

U.S. PATENT DOCUMENTS

2,325,592	A *	7/1943	Degler	182/182.3
3,721,316	A	3/1973	Greenplate		
D257,395	S	10/1980	Correll		
4,938,311	A	7/1990	Combs		
D334,811	S *	4/1993	Parks et al.	D25/67
5,913,381	A	6/1999	D'Armond		
6,142,256	A	11/2000	Dirk		
6,564,903	B2	5/2003	Krajec		
8,016,079	B1 *	9/2011	Huls	182/181.1
2008/0302604	A1 *	12/2008	Kramer	182/183.1
2009/0288914	A1	11/2009	Landau		

* cited by examiner

Primary Examiner — Doris Clark

(74) *Attorney, Agent, or Firm* — Susanne M. Moore

(57) **CLAIM**

I claim the ornamental appearance of a sawhorse, as shown and described.

DESCRIPTION

FIG. 1 is a top perspective view of a sawhorse, with the broken line showing of a bolt being for illustrative purposes and forming no part of the claimed design;

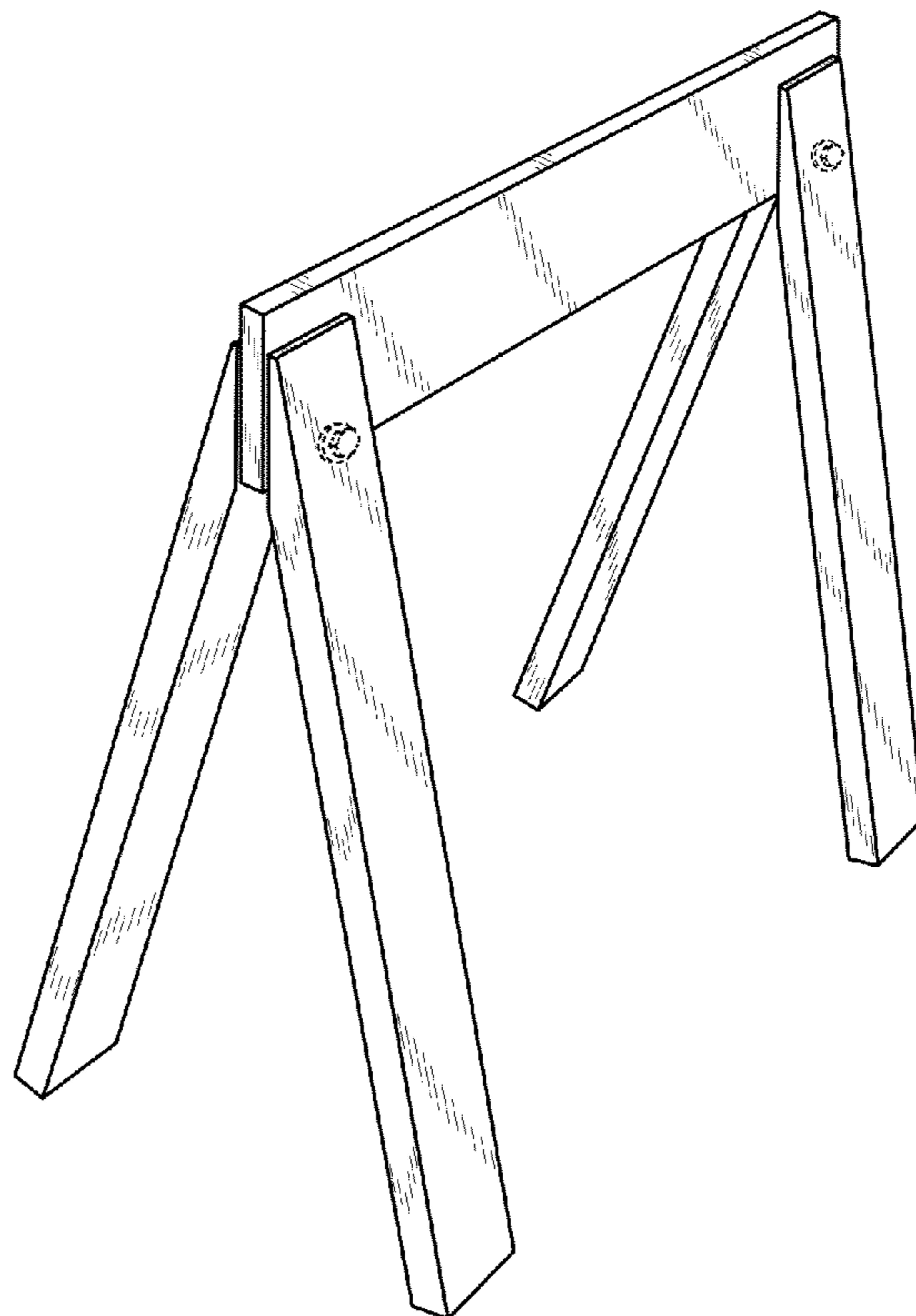
FIG. 2 is a right side elevational view thereof with the left side being a mirror image, with the broken line showing of a bolt being for illustrative purposes and forming no part of the claimed design;

FIG. 3 is an end elevational view thereof with the opposite end being a mirror image, with the broken line showing of a bolt being for illustrative purposes and forming no part of the claimed design;

FIG. 4 is a top view thereof, with the broken line showing of a bolt being for illustrative purposes and forming no part of the claimed design; and,

FIG. 5 is a bottom view thereof.

1 Claim, 3 Drawing Sheets



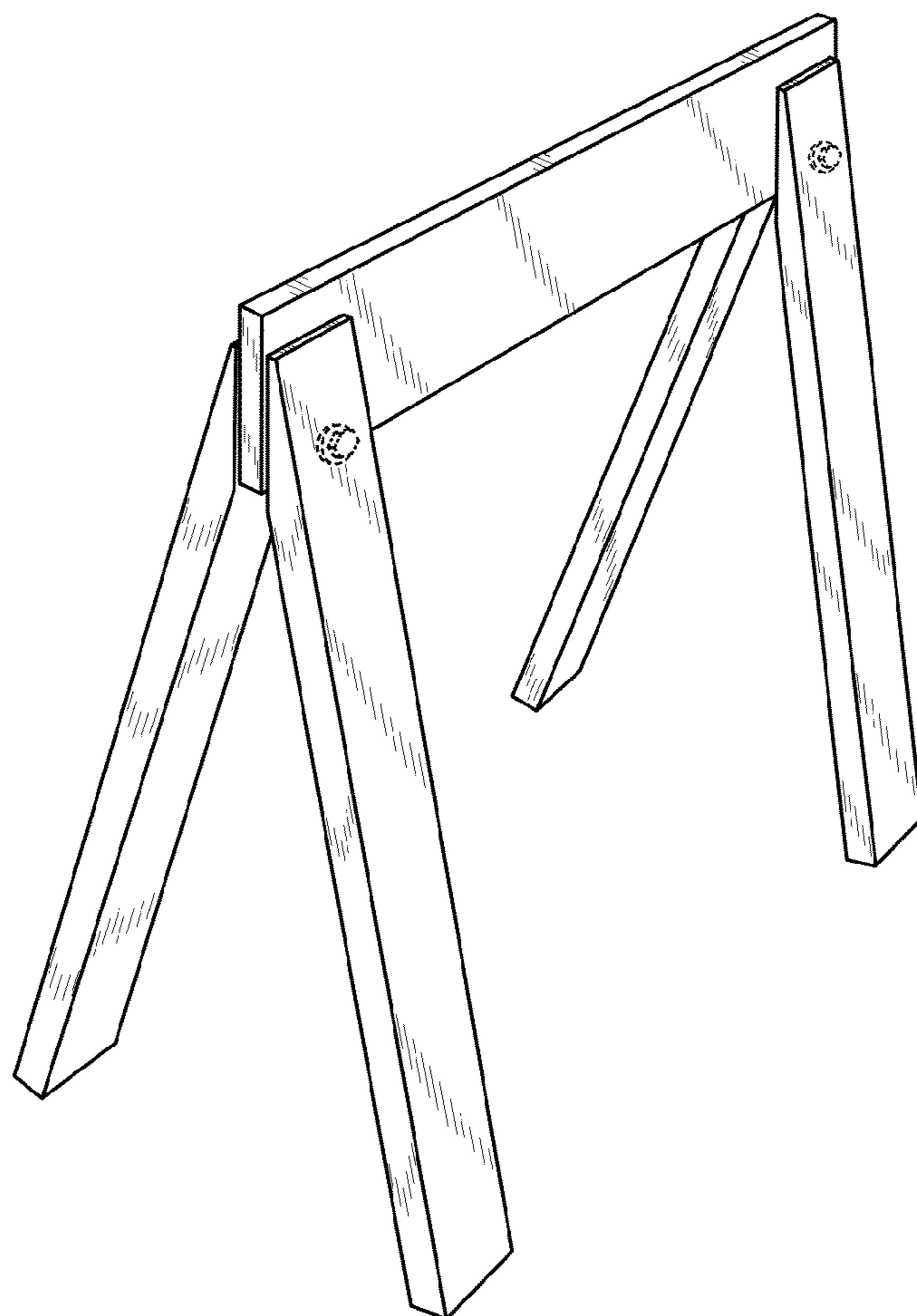


FIG. 1

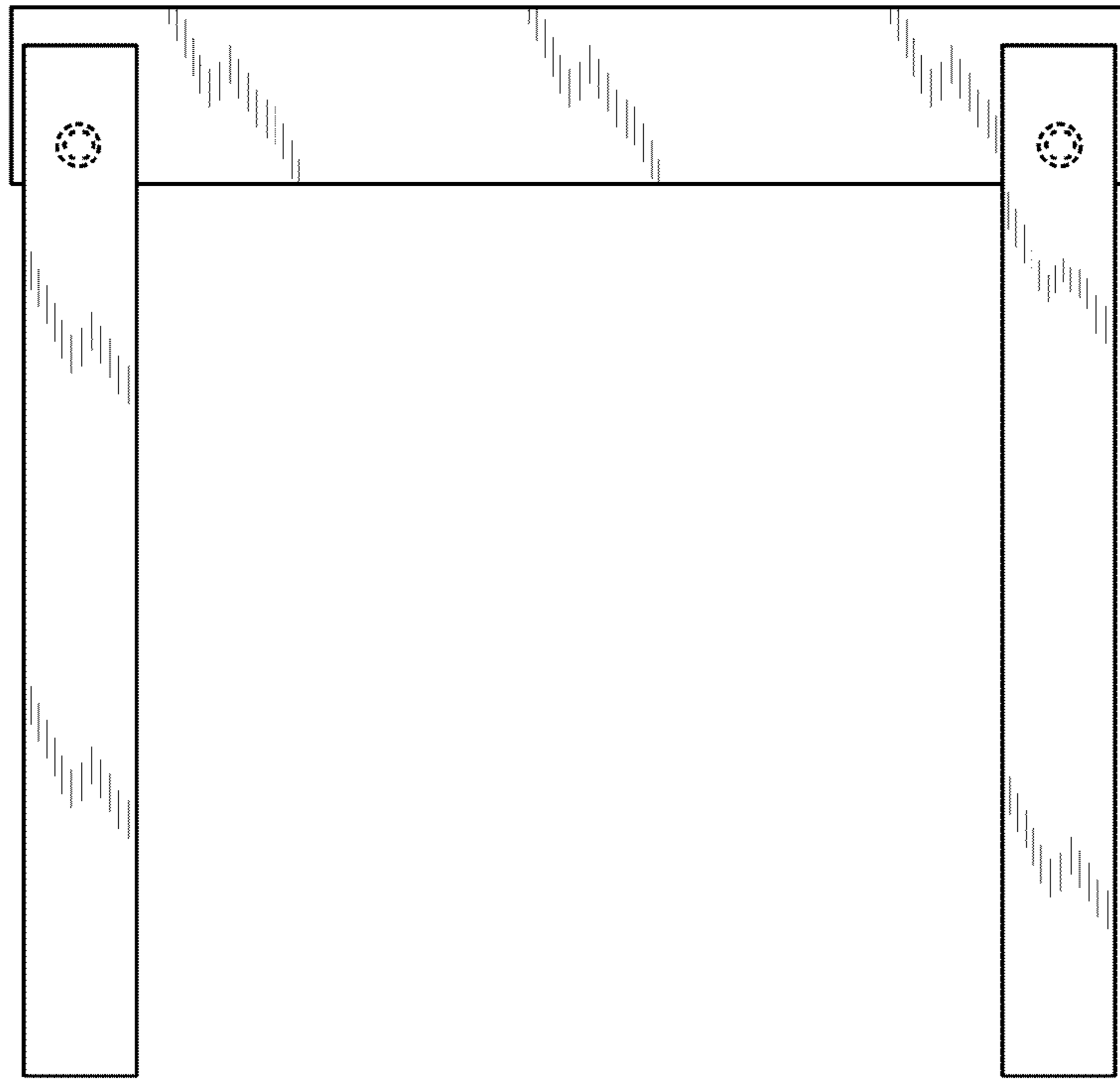


FIG. 2

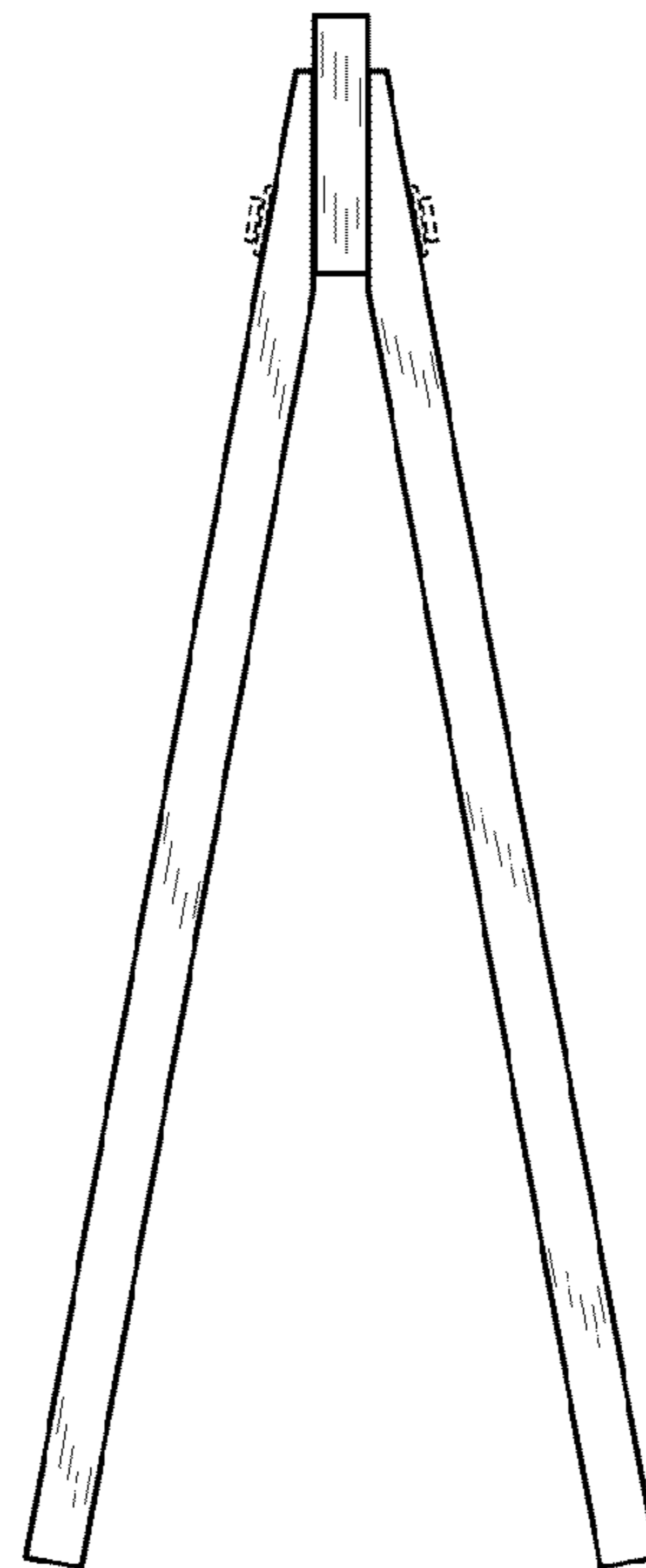


FIG. 3

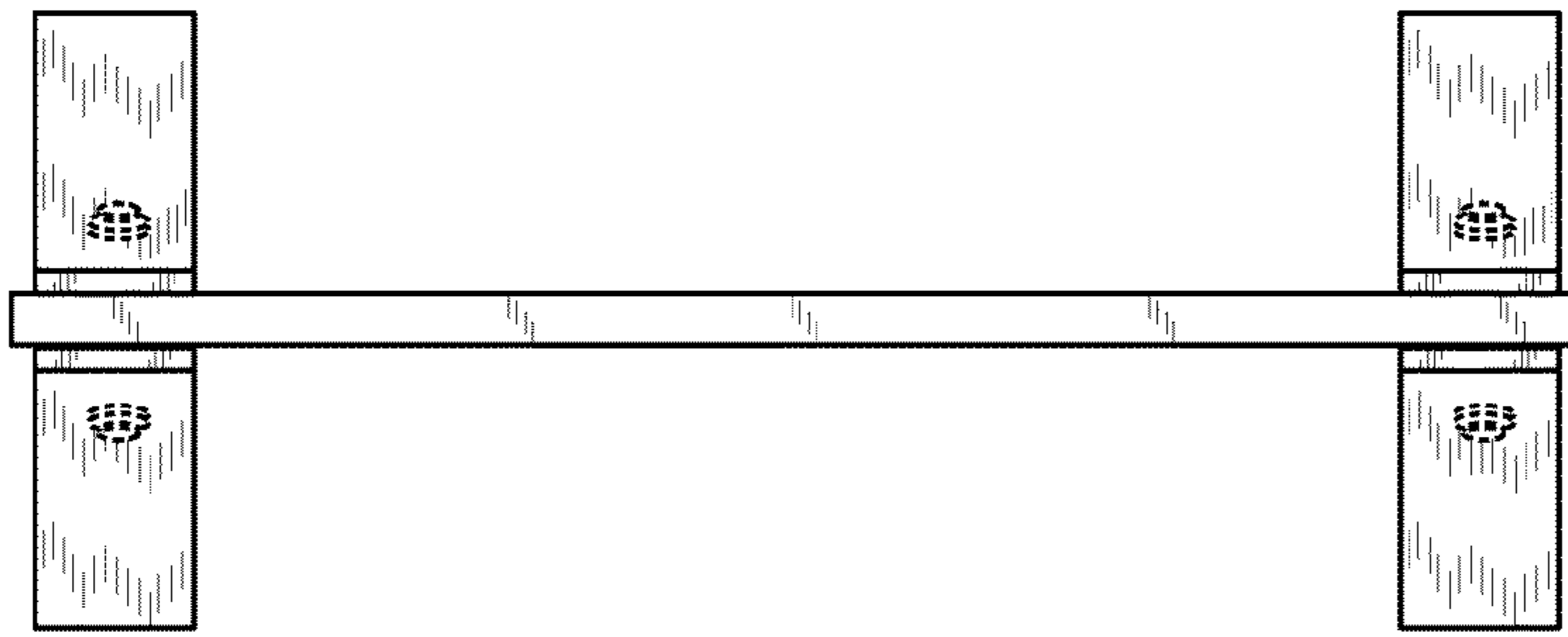


FIG. 4

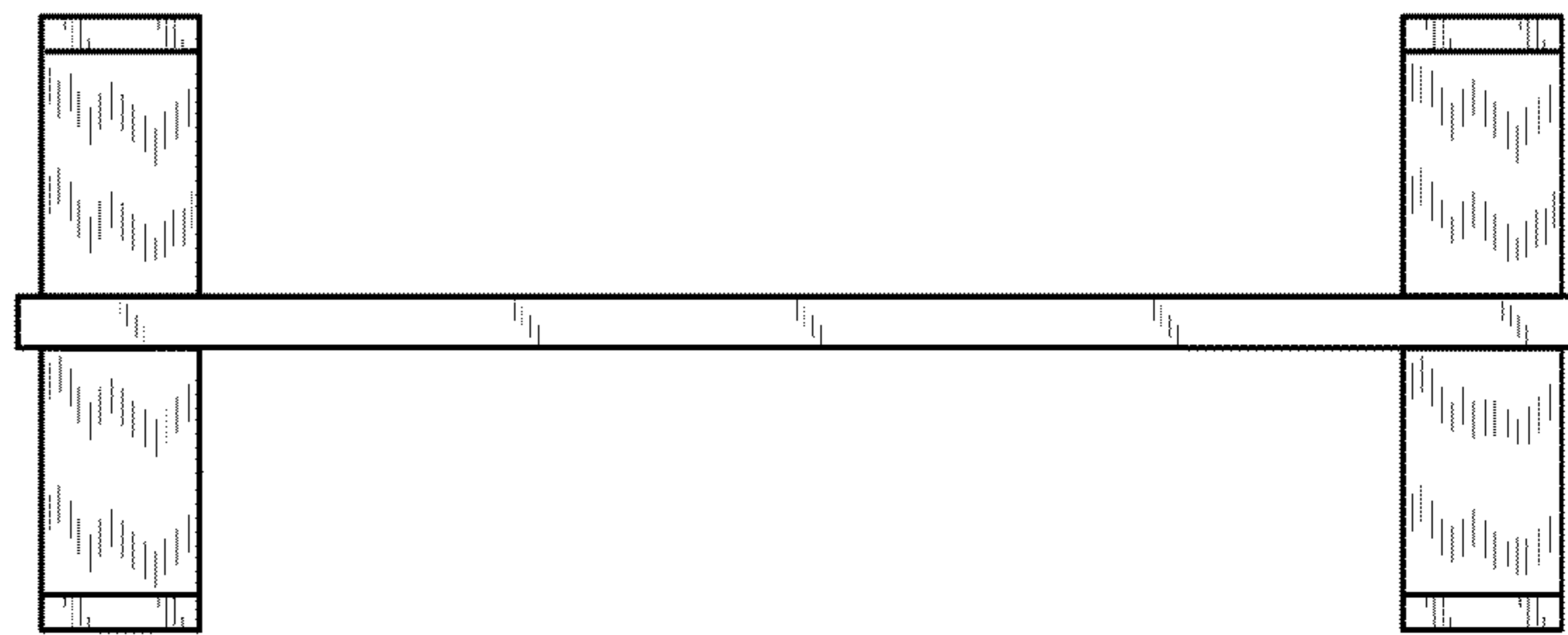


FIG. 5