



US00D693942S

(12) **United States Design Patent**
Varadiova

(10) **Patent No.:** **US D693,942 S**

(45) **Date of Patent:** **** Nov. 19, 2013**

(54) **RESTAURANT BUILDING**

(71) Applicant: **Dana Varadiova**, Boyds, MD (US)

(72) Inventor: **Dana Varadiova**, Boyds, MD (US)

(**) Term: **14 Years**

(21) Appl. No.: **29/454,014**

(22) Filed: **May 6, 2013**

(51) **LOC (9) Cl.** **25-03**

(52) **U.S. Cl.**
USPC **D25/33**

(58) **Field of Classification Search**
USPC D25/12, 13, 19, 31, 33; 52/80.1, 81.1,
52/79.4
See application file for complete search history.

(56) **References Cited**

U.S. PATENT DOCUMENTS

D208,460	S	*	9/1967	Marcott	D25/19
3,412,509	A	*	11/1968	Popil	52/2.17
D214,885	S	*	8/1969	Young	D25/31
D273,228	S	*	3/1984	Cotton	D25/1
D276,185	S	*	10/1984	Stewart, Jr.	D25/31
D280,439	S	*	9/1985	Sanford	D25/11
4,555,877	A	*	12/1985	Libra	52/79.4
5,860,258	A	*	1/1999	Faith et al.	52/236.2

6,324,792	B1	*	12/2001	DeGarie	52/80.1
6,484,454	B1	*	11/2002	Everhart	52/79.4
D490,906	S	*	6/2004	Small	D25/31

* cited by examiner

Primary Examiner — Eric Goodman

(74) *Attorney, Agent, or Firm* — Sinorica, LLC

(57) **CLAIM**

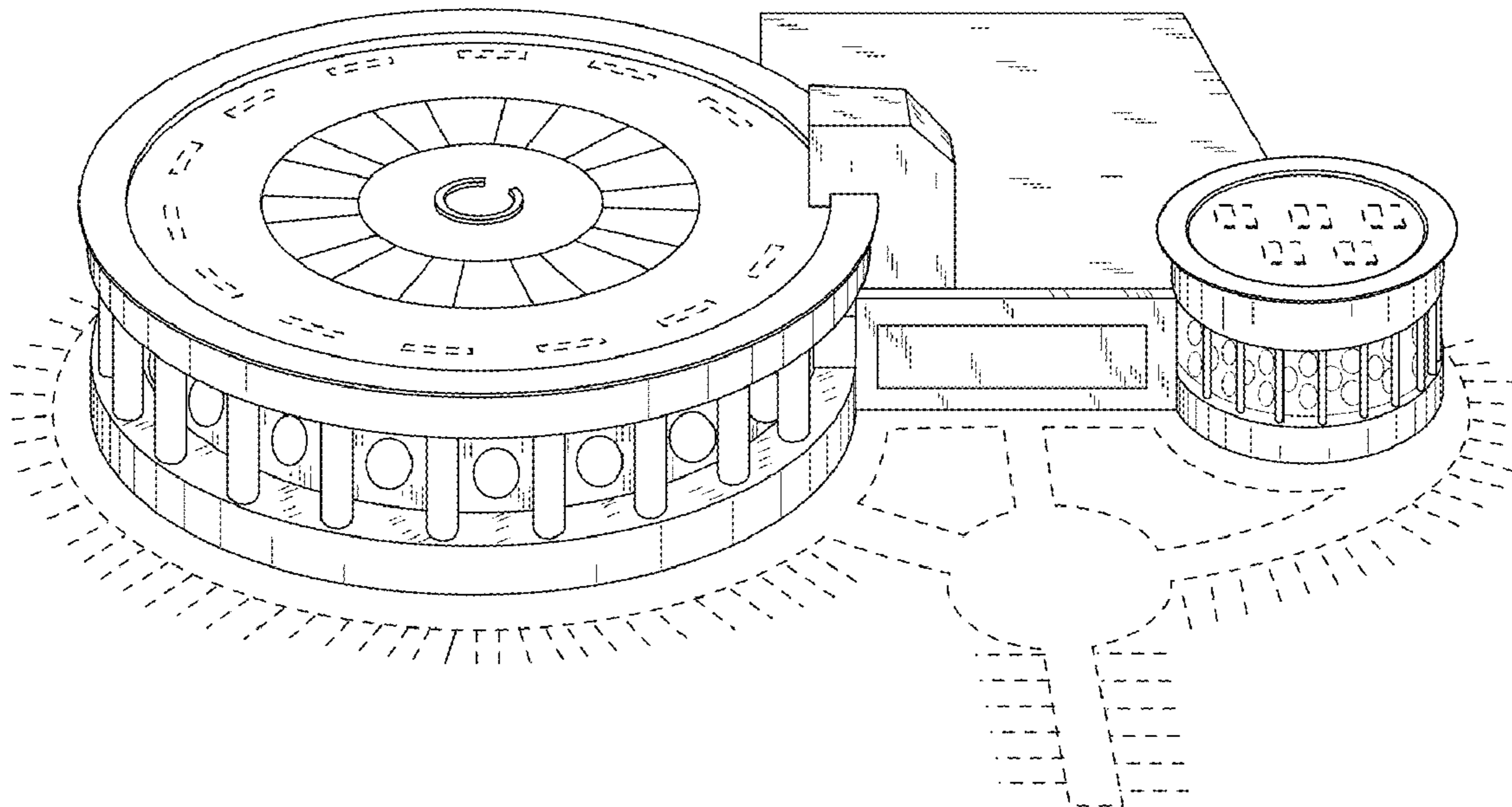
The ornamental design for a restaurant building, as shown and described.

DESCRIPTION

FIG. 1 is a perspective view of a restaurant building;
FIG. 2 is a front view thereof;
FIG. 3 is a rear view thereof;
FIG. 4 is a right view thereof;
FIG. 5 is a left view thereof;
FIG. 6 is a top view thereof; and,
FIG. 7 is an alternative perspective view thereof.

The broken line showing sidewalk and parking in FIG. 1 and FIG. 7 and the broken line showing benches and panels in FIG. 1, FIG. 6, and FIG. 7 is included for the purpose of illustrating environmental structure and forms no part of the claimed design.

1 Claim, 7 Drawing Sheets



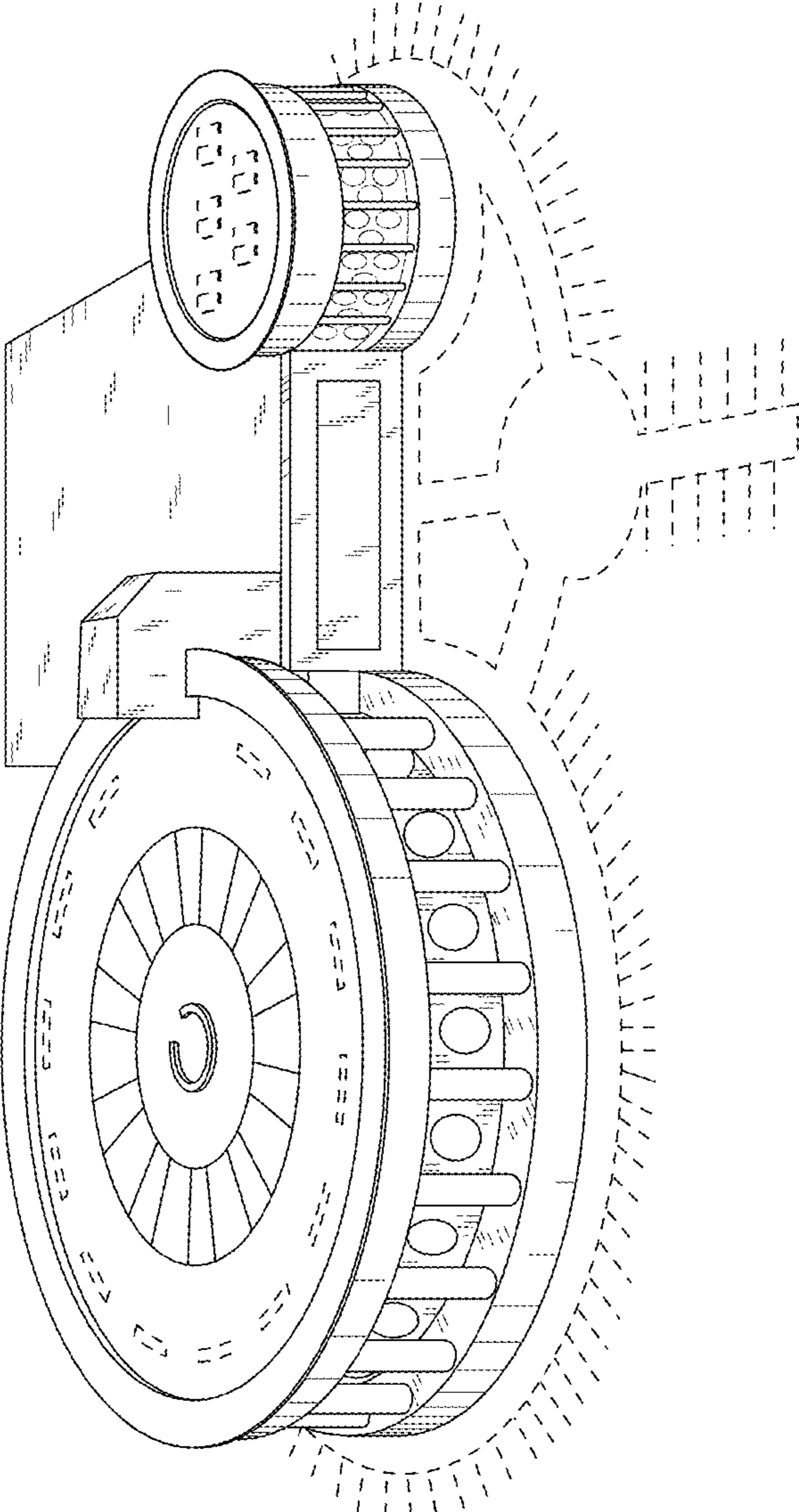


FIG. 1

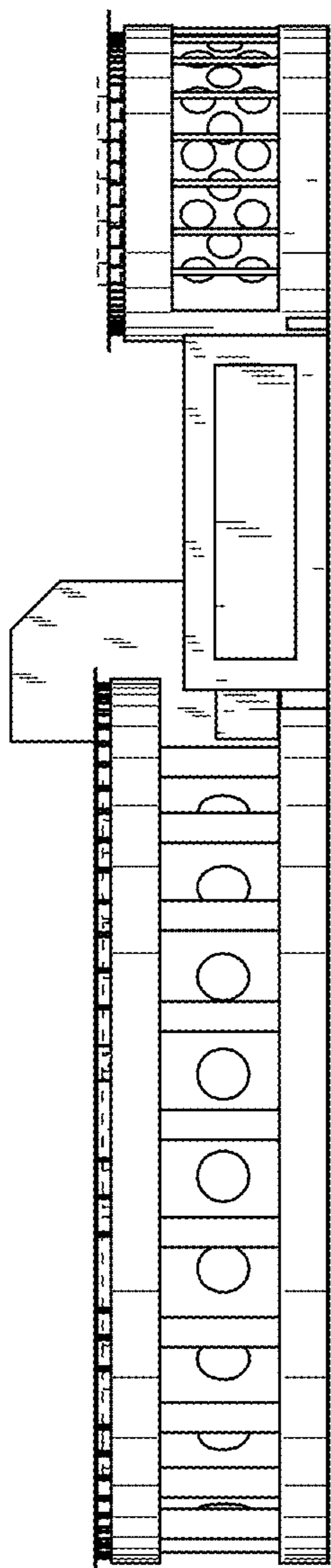


FIG. 2

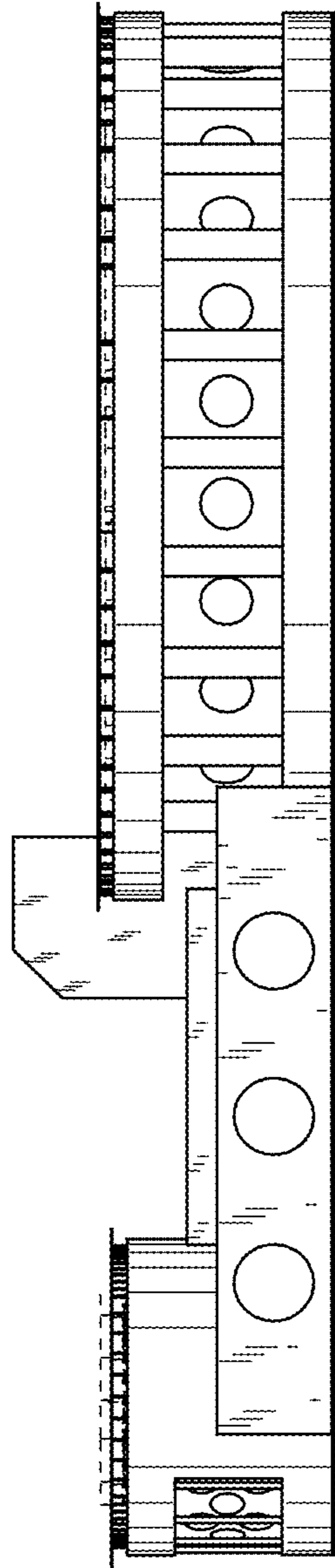


fig. 3

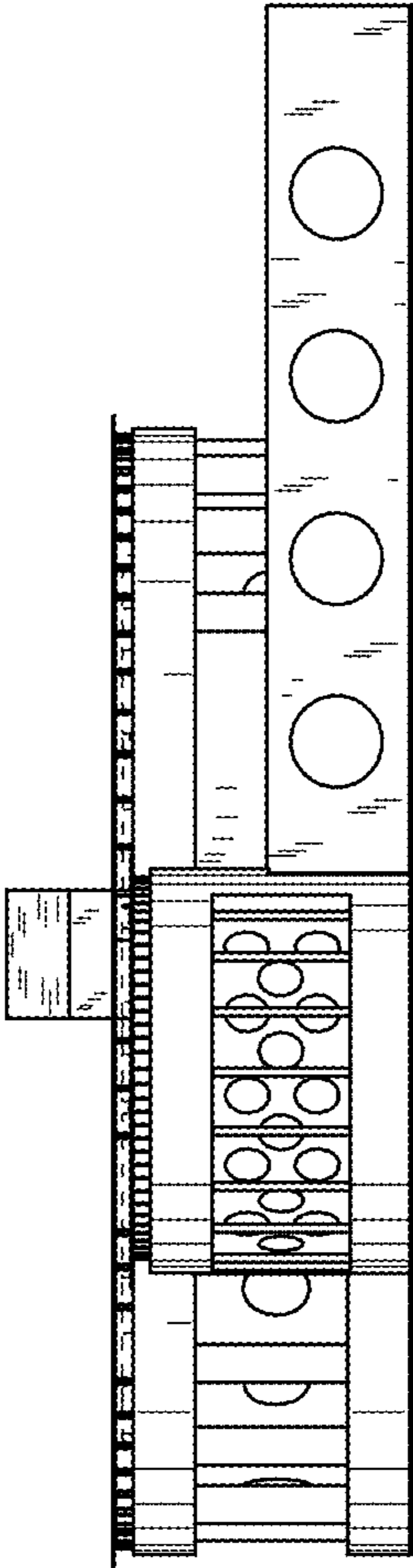


FIG. 4

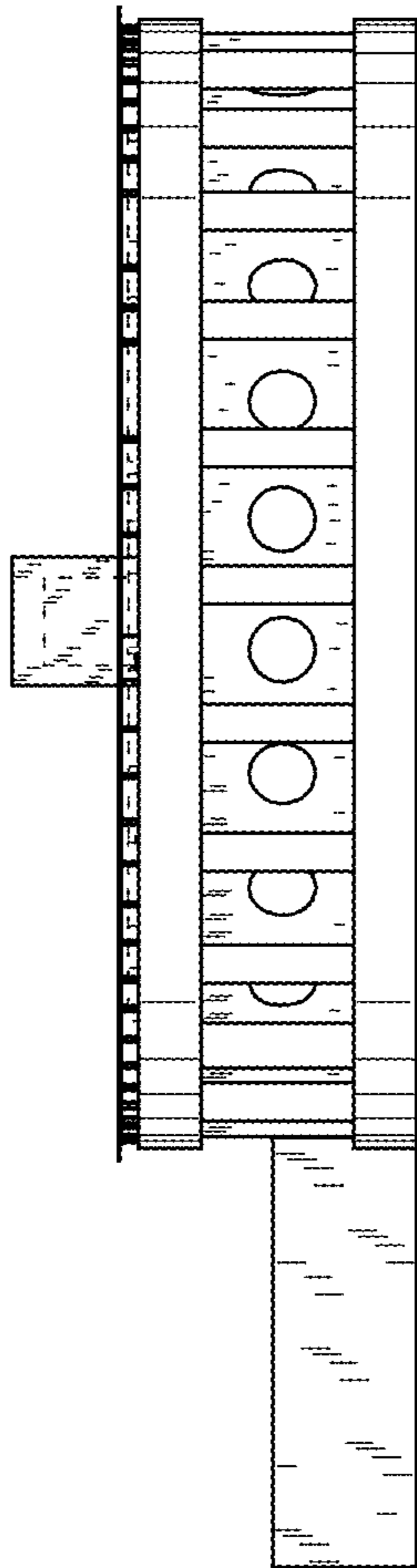


FIG. 5

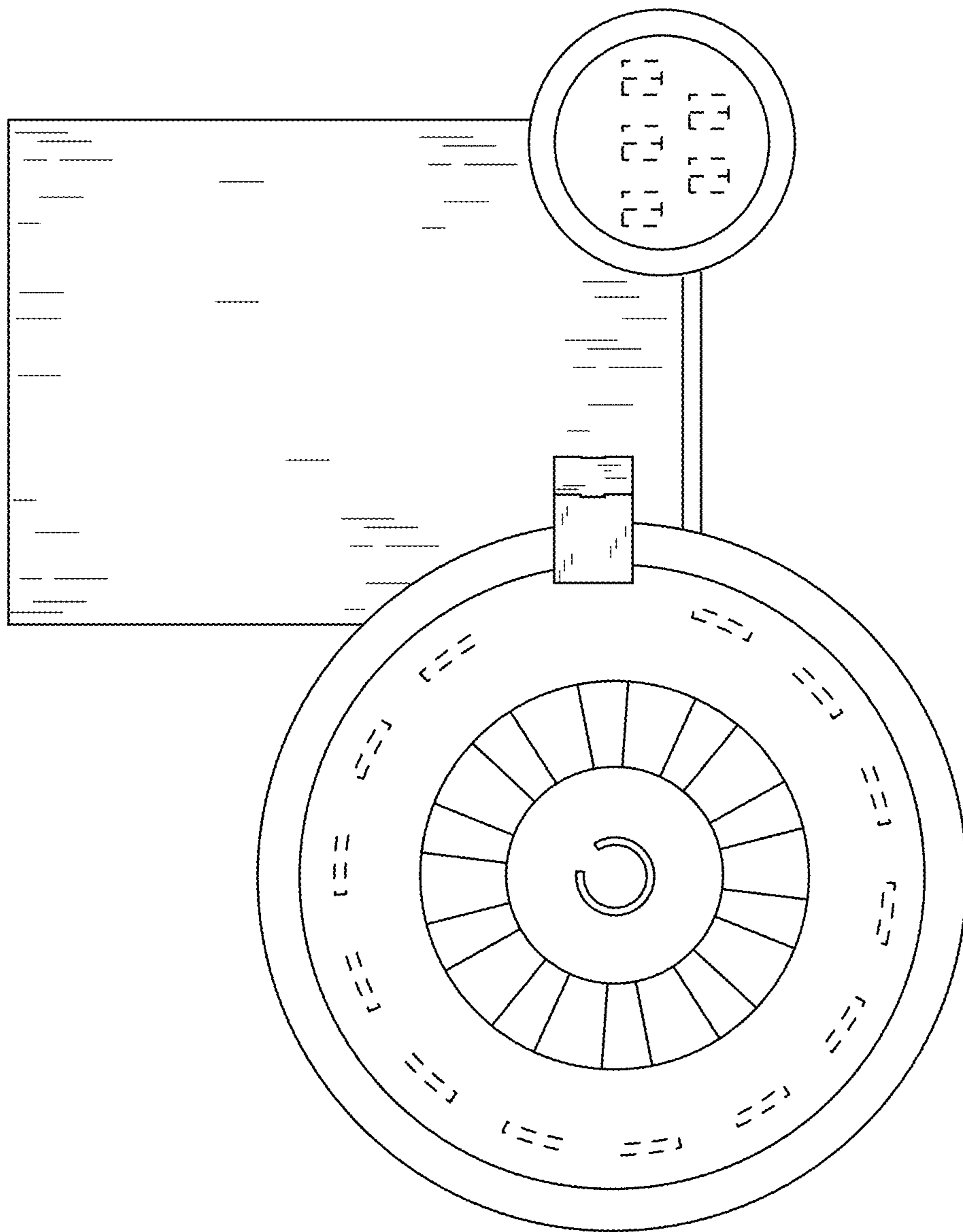


FIG. 6

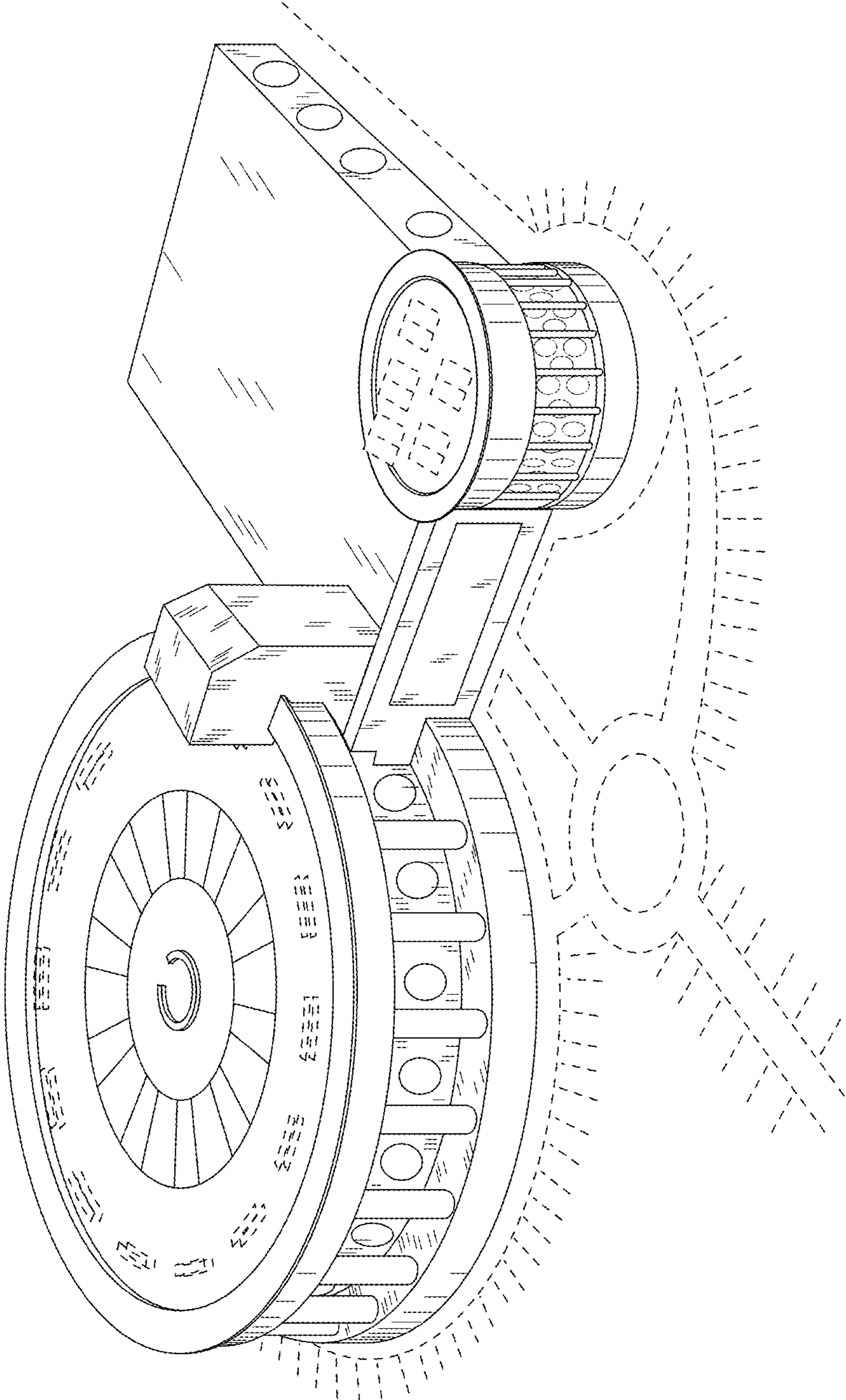


FIG. 7