



US00D693937S

(12) **United States Design Patent**
Steinman et al.

(10) **Patent No.:** **US D693,937 S**

(45) **Date of Patent:** **** Nov. 19, 2013**

(54) **TUBE FRAME**

(75) Inventors: **Christopher P. Steinman**, Sandy, UT (US); **Jeffrey S. Louis**, Akron, OH (US); **David Pettinato**, Schaumburg, IL (US); **Matthew Copithorne**, Framingham, MA (US); **Brian L Otts**, Warrior, AL (US); **Peter Demuylder**, Ebbing (BE); **James Guarrera**, New York, NY (US)

(73) Assignee: **Lifeline Scientific, Inc.**, Itasca, IL (US)

(**) Term: **14 Years**

(21) Appl. No.: **29/426,699**

(22) Filed: **Jul. 10, 2012**

(51) **LOC (9) Cl.** **24-01**

(52) **U.S. Cl.**
USPC **D24/216**

(58) **Field of Classification Search**
USPC D24/107, 123, 216, 224, 227, 229,
D24/230-232; D10/81; 62/78, 457.1, 457.2,
62/457.9; 435/1.1, 1.2, 1.3, 284.1, 307.1;
D6/456; 422/500, 547
See application file for complete search history.

(56) **References Cited**

U.S. PATENT DOCUMENTS

D300,245 S * 3/1989 Navarro et al. D24/229
D352,116 S * 11/1994 Kienholz D24/227

D470,594 S * 2/2003 Brassil et al. D24/216
D531,319 S * 10/2006 Schein et al. D24/216
D596,030 S * 7/2009 Liipola D9/456
8,128,740 B2 * 3/2012 Wright et al. 435/284.1
D661,190 S * 6/2012 Fahy D9/456
2007/0190636 A1 * 8/2007 Hassanein et al. 435/284.1
2008/0254504 A1 * 10/2008 Vom et al. 435/40.52
2010/0184127 A1 * 7/2010 Williamson et al. 435/40.52
2011/0033916 A1 * 2/2011 Hutzenlaub et al. 435/284.1

* cited by examiner

Primary Examiner — Anhdao Doan

(74) *Attorney, Agent, or Firm* — Oliff & Berridge, PLC

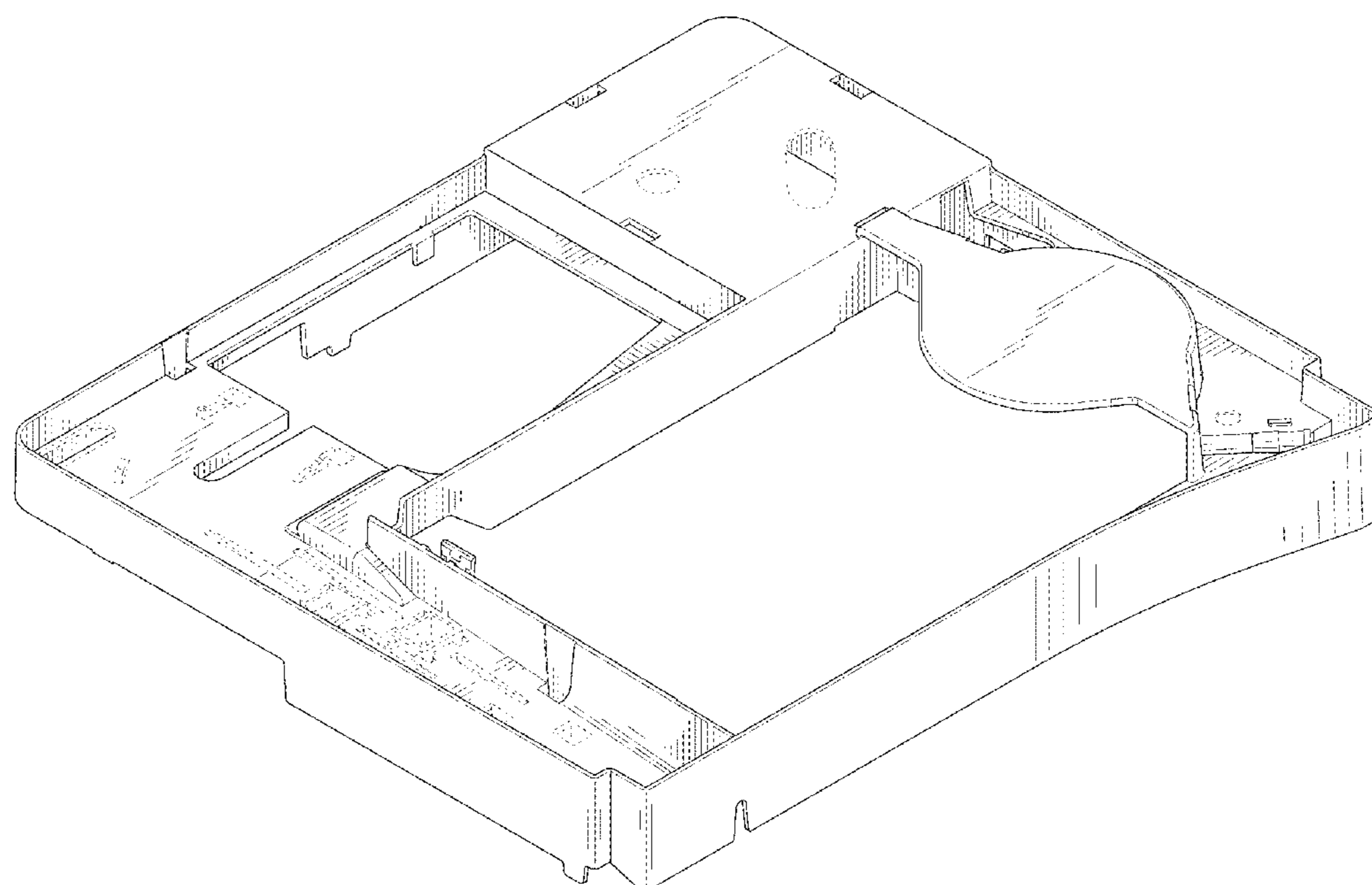
(57) **CLAIM**

The ornamental design for a tube frame, as shown and described.

DESCRIPTION

FIG. 1 is a top, front, right-side perspective view of a tube frame;
FIG. 2 is a front view thereof;
FIG. 3 is a top view thereof;
FIG. 4 is a right-side view thereof;
FIG. 5 is a left-side view thereof;
FIG. 6 is a rear view thereof;
FIG. 7 is a bottom view thereof; and,
FIG. 8 is a bottom, rear, left-side perspective view thereof.
The broken lines depict unclaimed portions only and form no part of the claimed design.

1 Claim, 5 Drawing Sheets



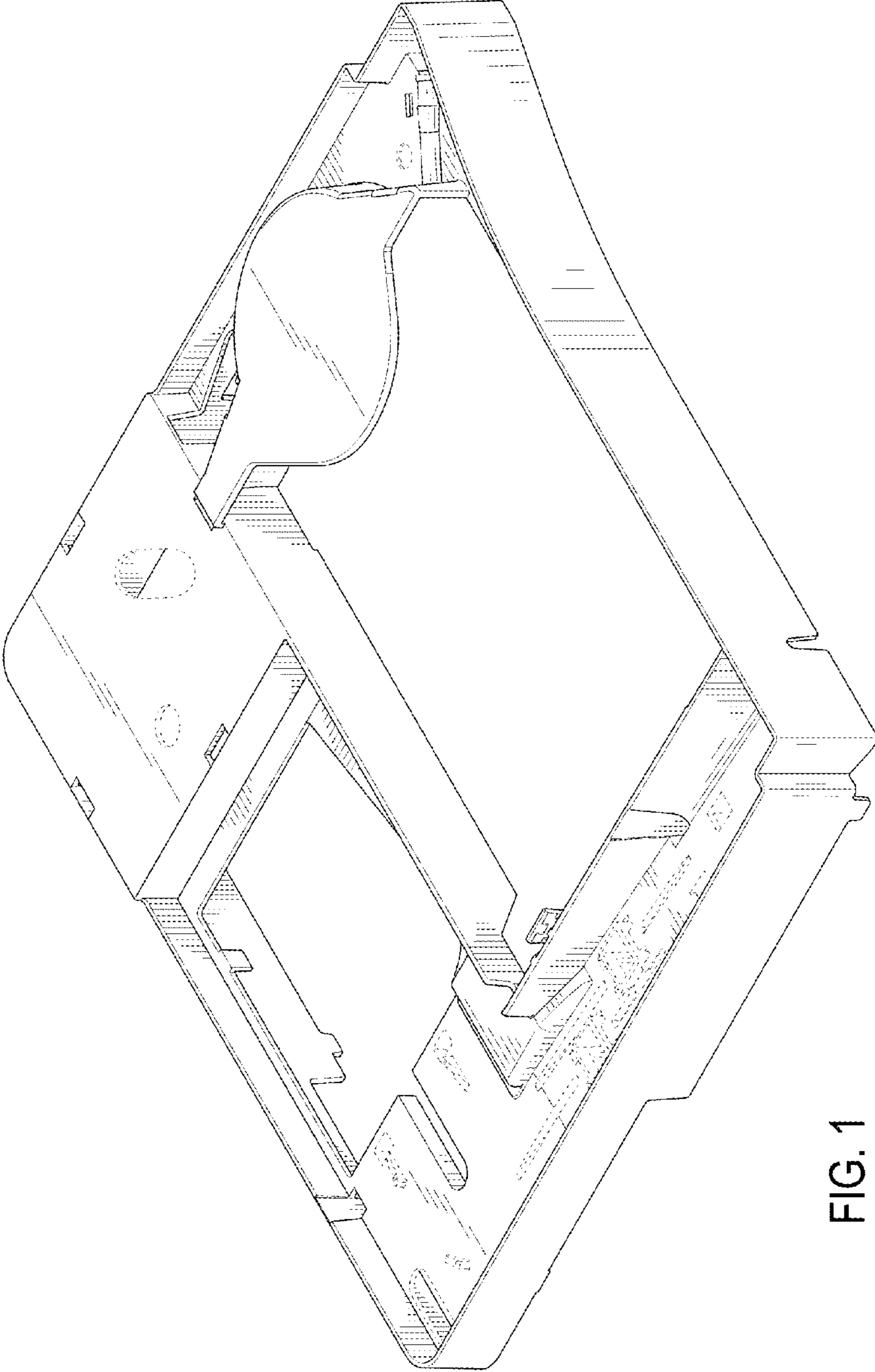


FIG. 1

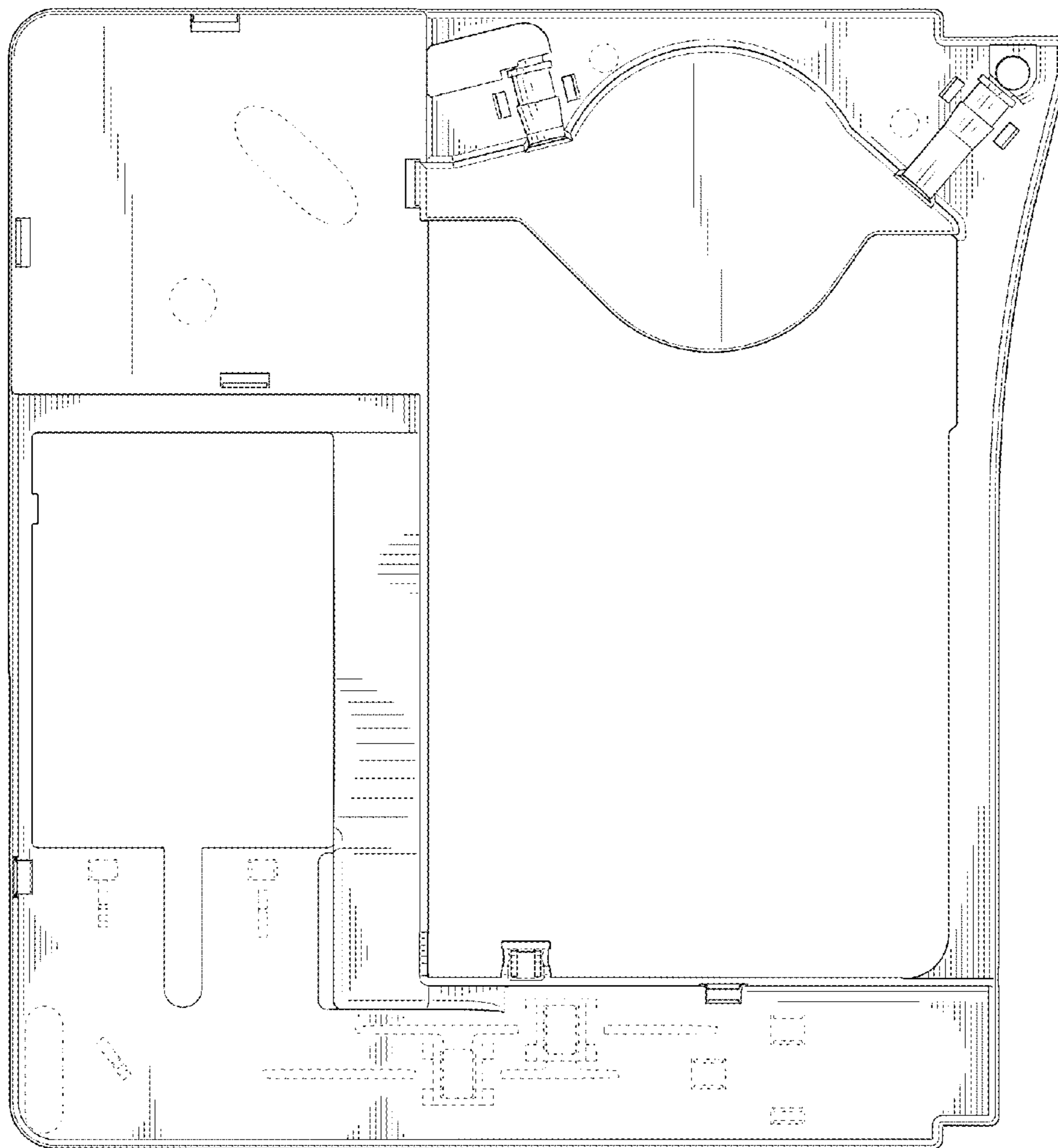


FIG. 3

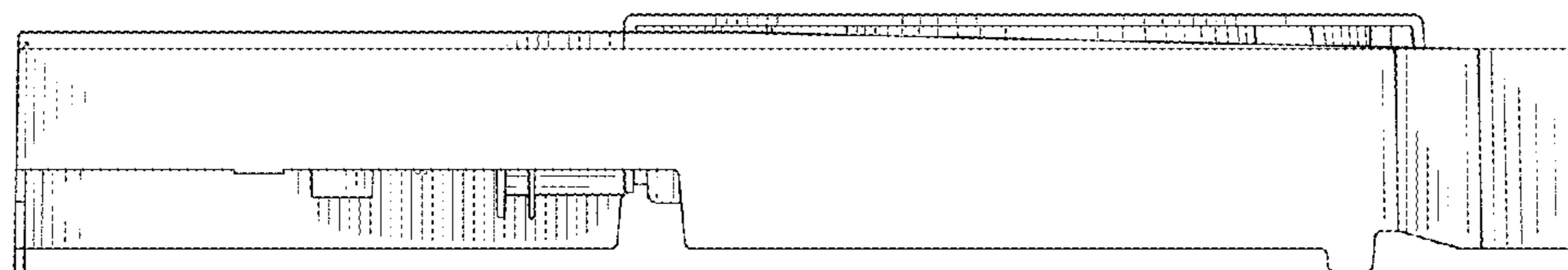


FIG. 2

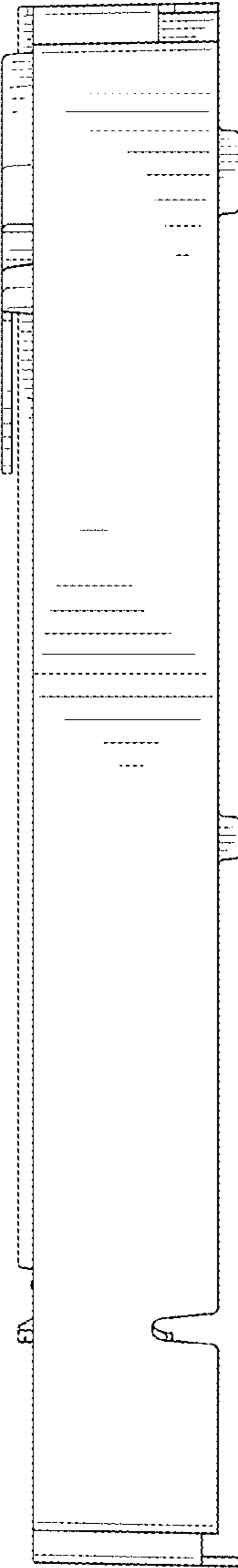


FIG. 4

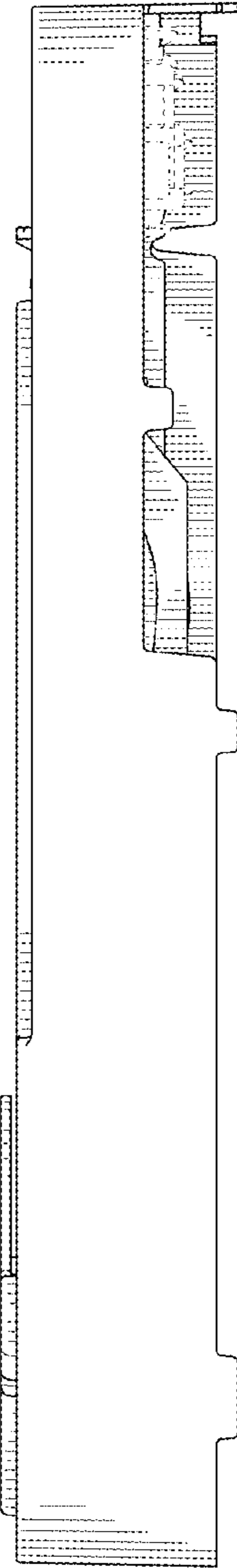


FIG. 5

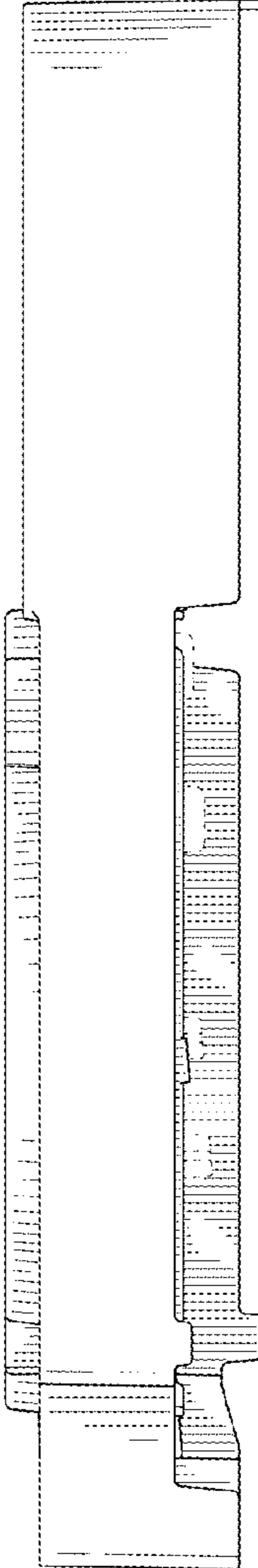


FIG. 6

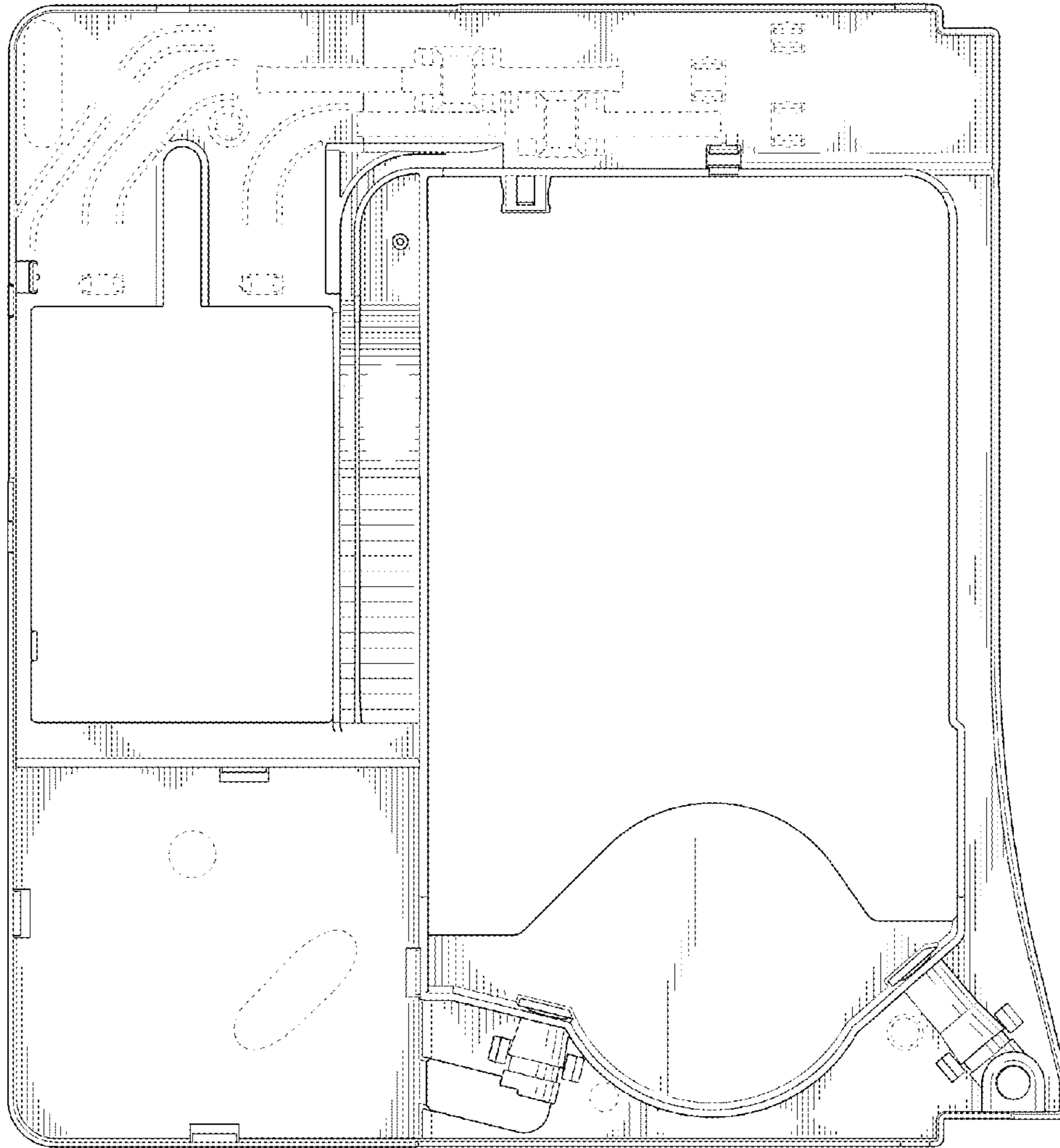


FIG. 7

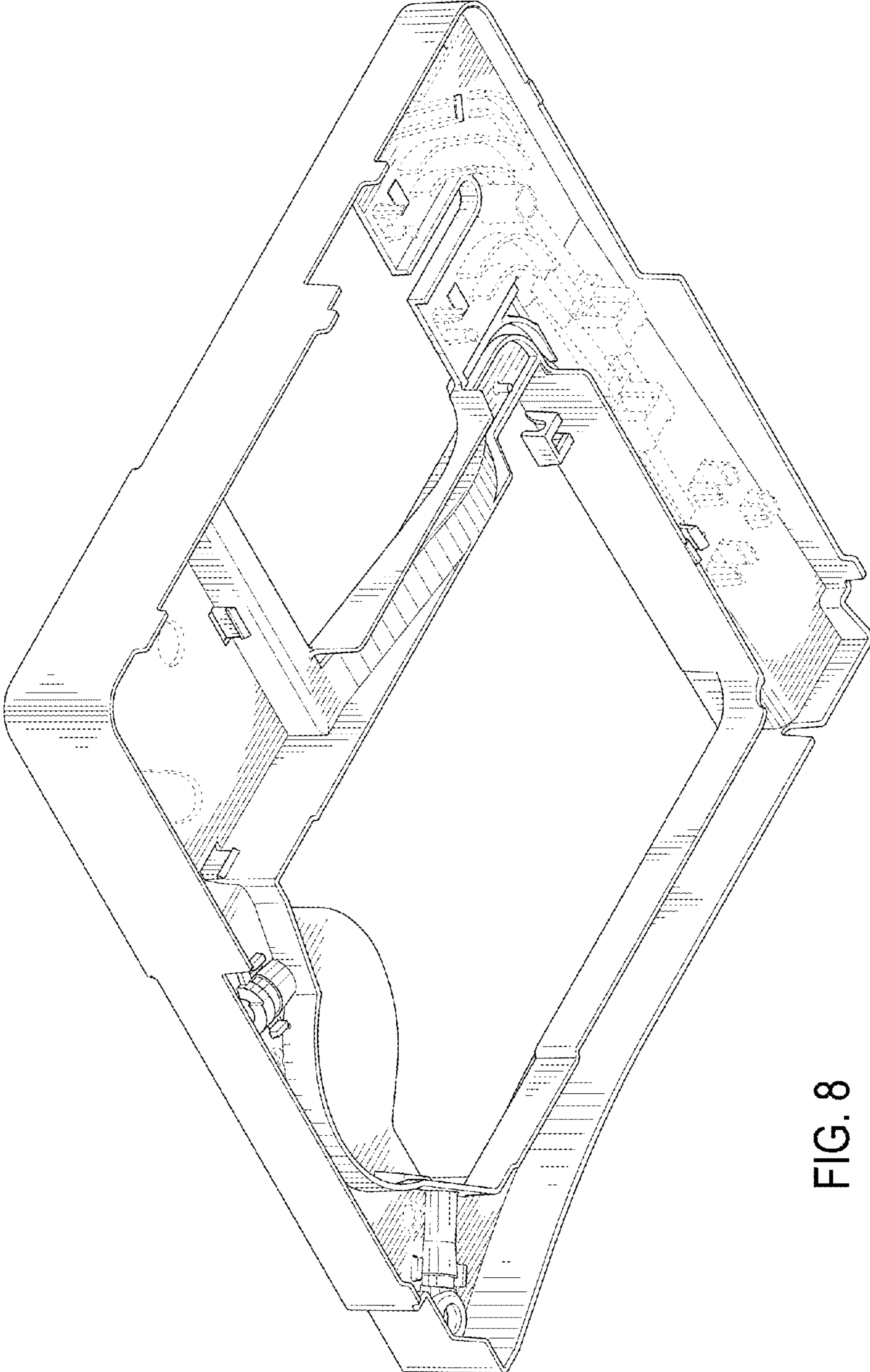


FIG. 8