



US00D693934S

(12) **United States Design Patent**
Lin

(10) **Patent No.:** **US D693,934 S**

(45) **Date of Patent:** **** Nov. 19, 2013**

(54) **MESSAGE ROLLER**

(71) Applicant: **Yung-Chih Lin**, Tainan (TW)

(72) Inventor: **Yung-Chih Lin**, Tainan (TW)

(**) Term: **14 Years**

(21) Appl. No.: **29/453,199**

(22) Filed: **Apr. 26, 2013**

(51) **LOC (9) Cl.** **28-03**

(52) **U.S. Cl.**
USPC **D24/215**

(58) **Field of Classification Search**
USPC D24/200, 211, 212, 213, 214, 215;
601/114, 120, 121, 124, 125, 130, 131,
601/134, 135, 136, 137
See application file for complete search history.

(56) **References Cited**

U.S. PATENT DOCUMENTS

4,109,649	A *	8/1978	Iyomasa	601/121
4,378,007	A *	3/1983	Kachadourian	601/121
D274,649	S *	7/1984	Shiu	D24/212
6,129,687	A *	10/2000	Powell et al.	601/15
6,398,694	B1 *	6/2002	Bountourakis	482/44

D497,457	S *	10/2004	Willinger	D30/160
D527,830	S *	9/2006	Chien	D24/211
D598,562	S *	8/2009	Chen	D24/211
D613,349	S *	4/2010	Metti	D21/662
D623,310	S *	9/2010	Cheng	D24/211
D637,244	S *	5/2011	Davis et al.	D21/662
D647,980	S *	11/2011	Davis et al.	D21/662
D660,450	S *	5/2012	Johnson	D24/215
D674,107	S *	1/2013	Prudent et al.	D24/211
D682,436	S *	5/2013	Lowsky	D24/194

* cited by examiner

Primary Examiner — Sandra Snapp

(57) **CLAIM**

The ornamental design for the massage roller, as shown and described.

DESCRIPTION

FIG. 1 is a perspective view of the massage roller showing my new design;

FIG. 2 is a front elevation view thereof;

FIG. 3 is a rear elevation view thereof;

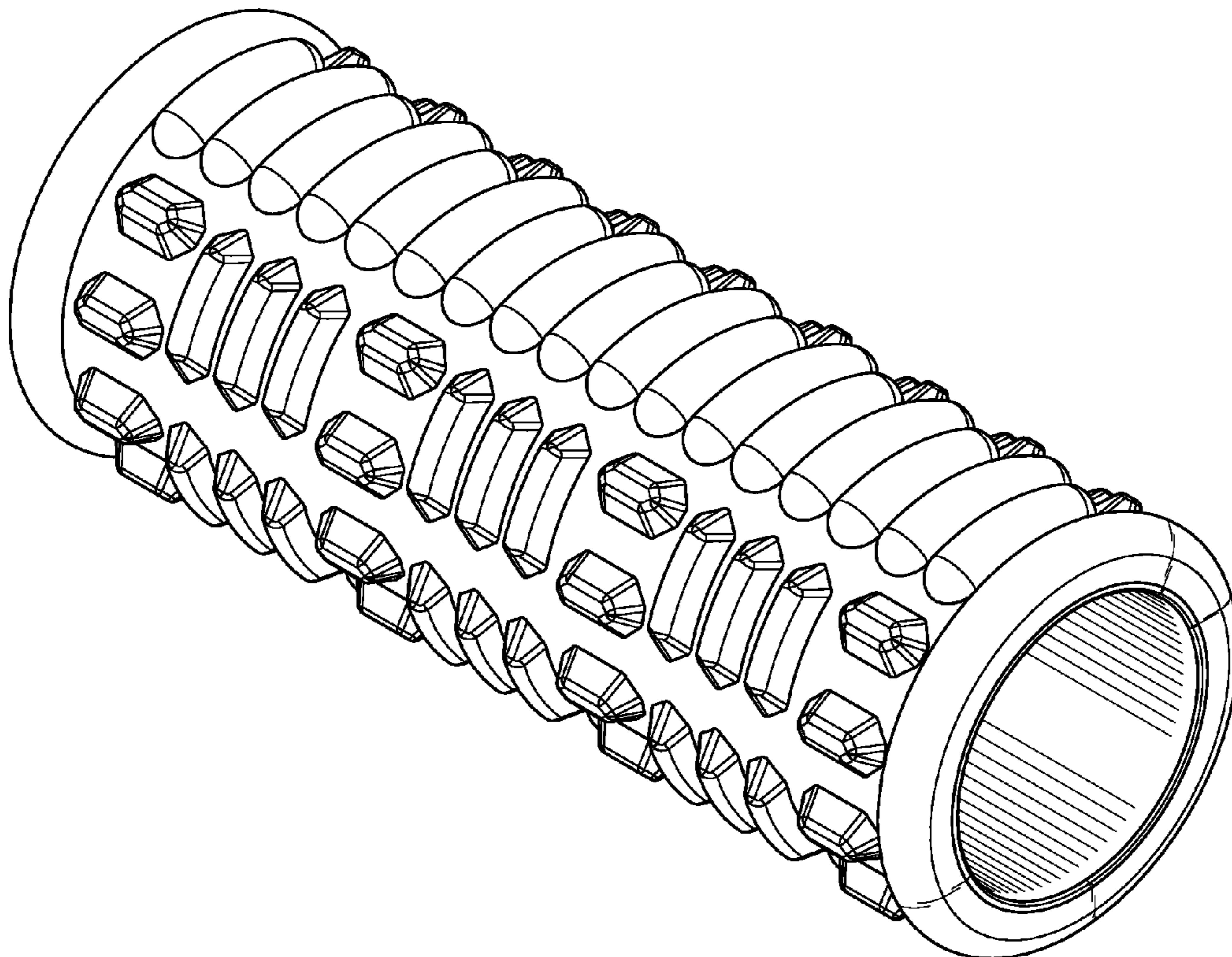
FIG. 4 is a left side elevation view thereof;

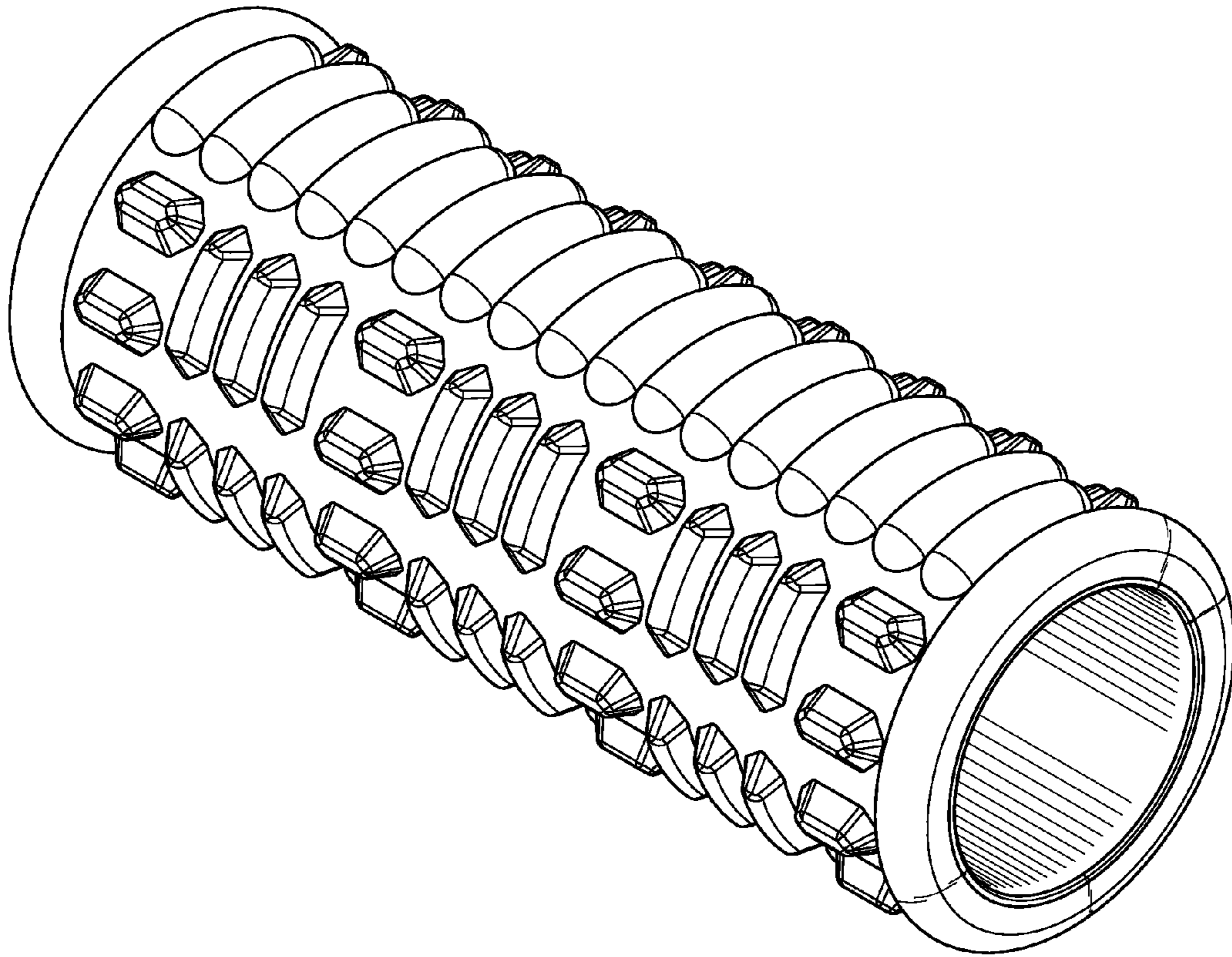
FIG. 5 is a right side elevation view thereof;

FIG. 6 is a top plan view thereof; and,

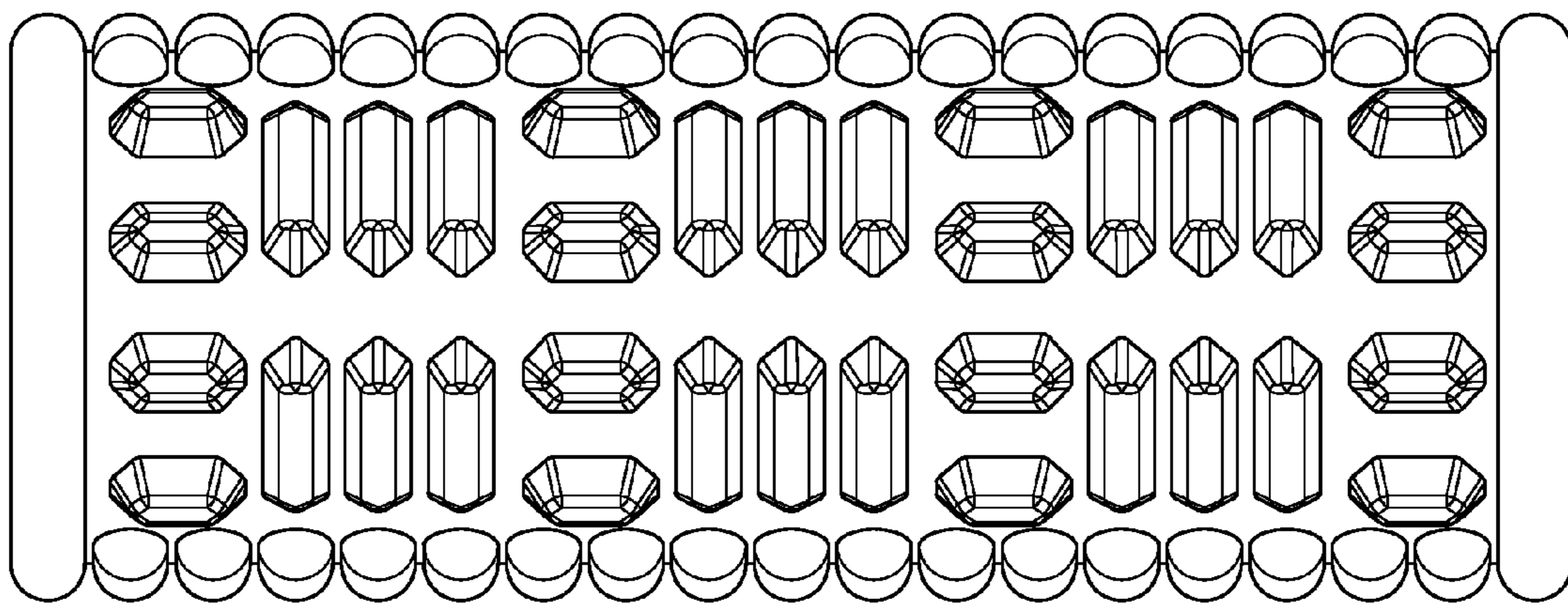
FIG. 7 is a bottom plan view thereof.

1 Claim, 7 Drawing Sheets

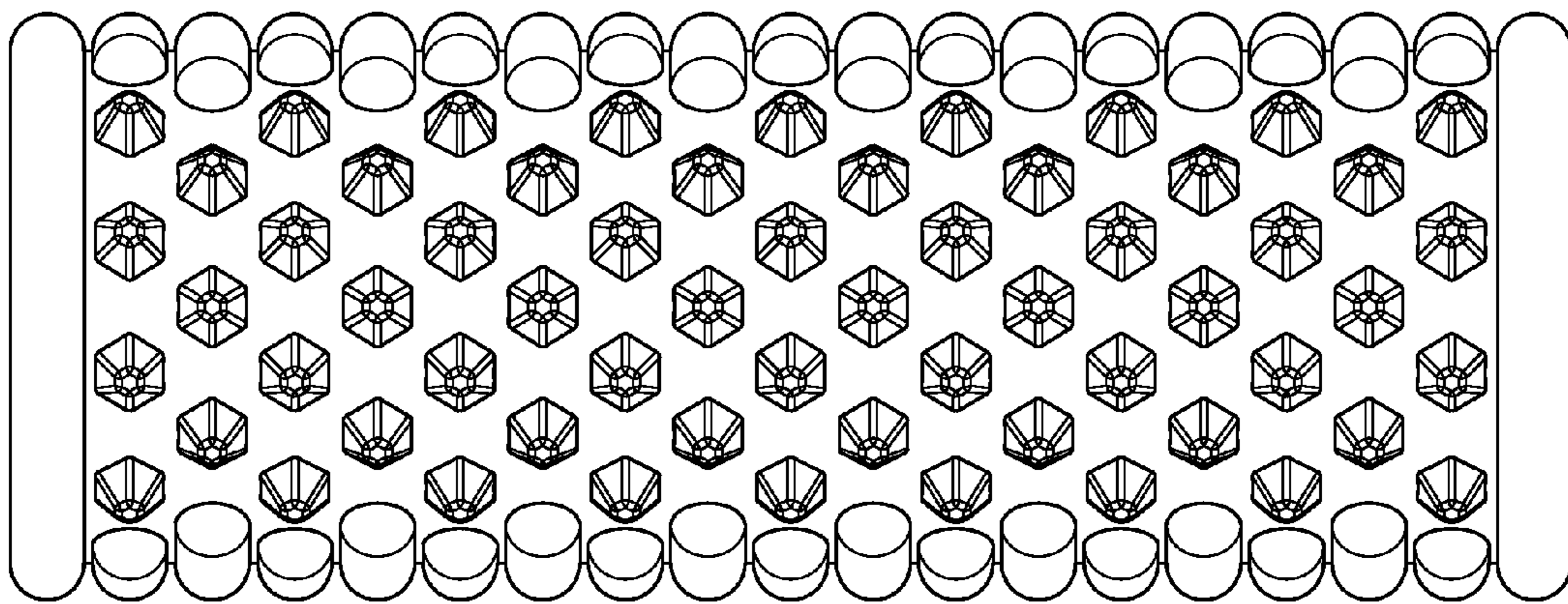




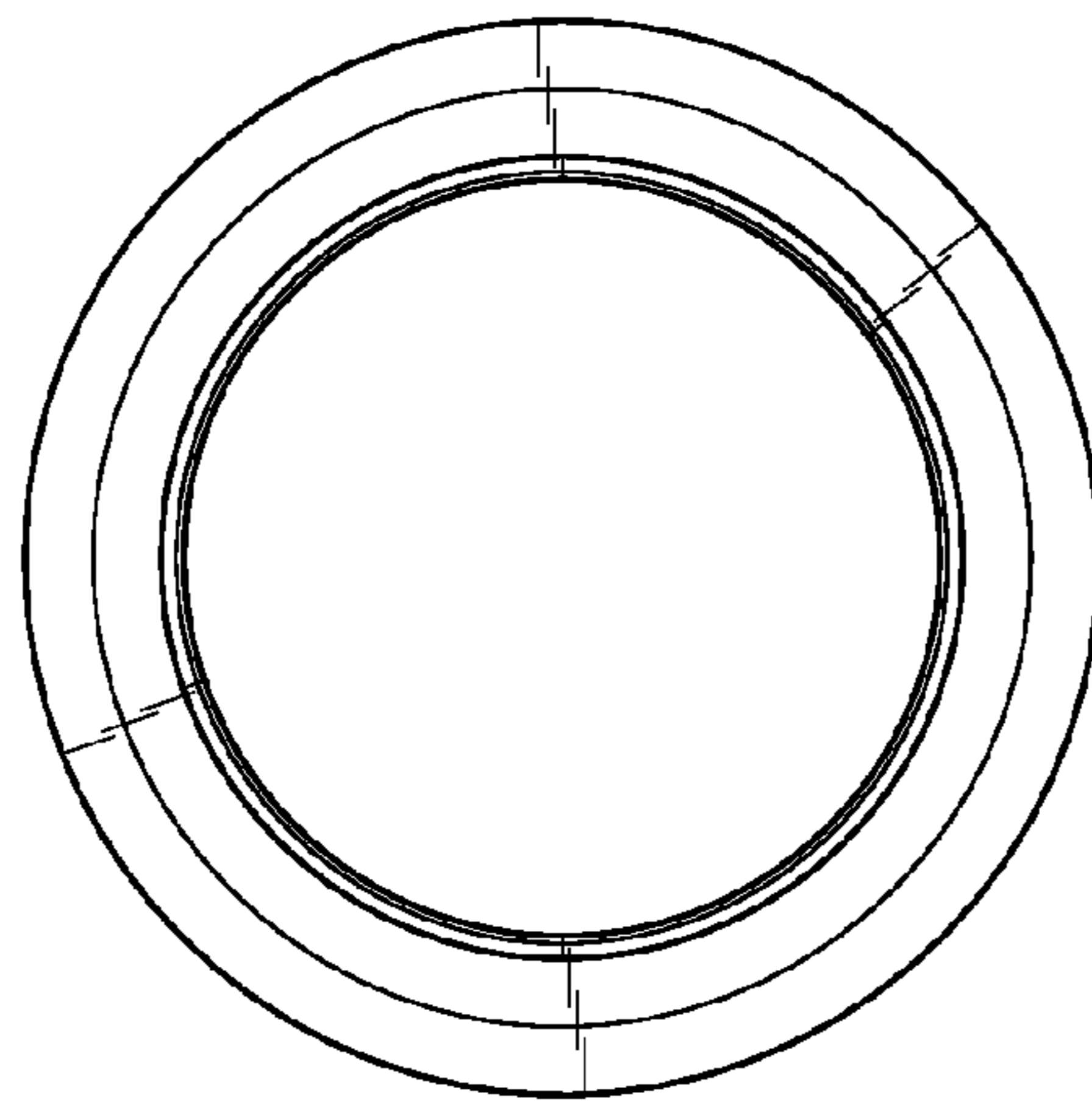
F I G . 1



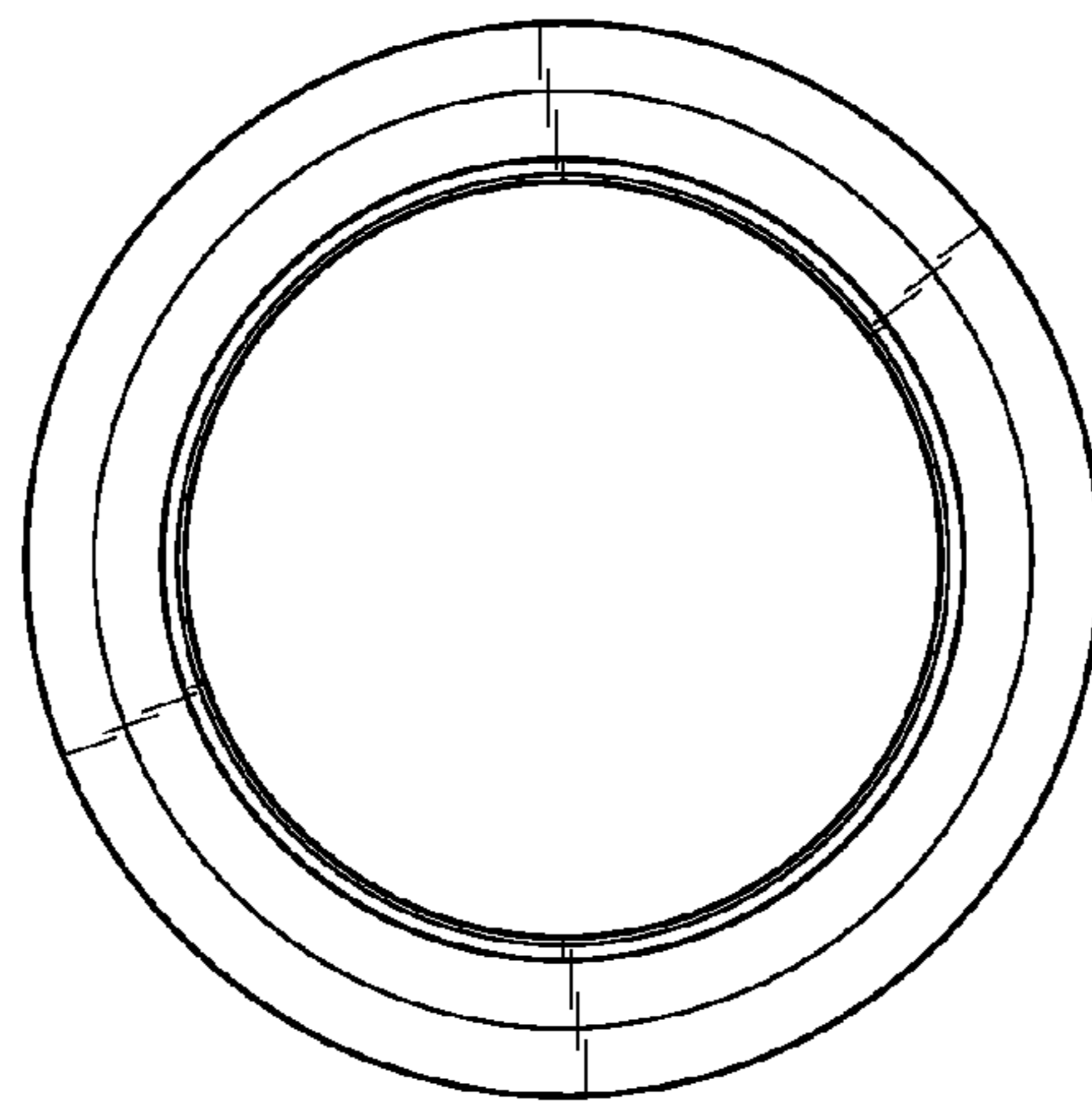
F I G . 2



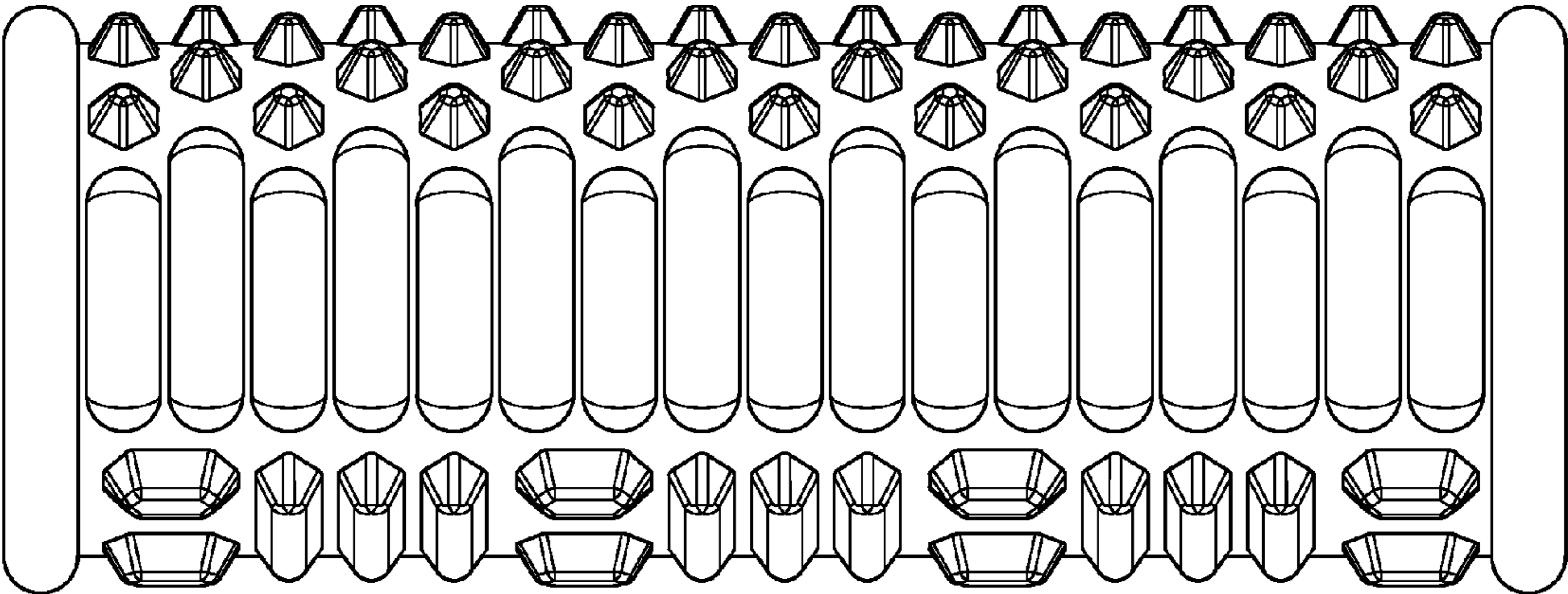
F I G . 3



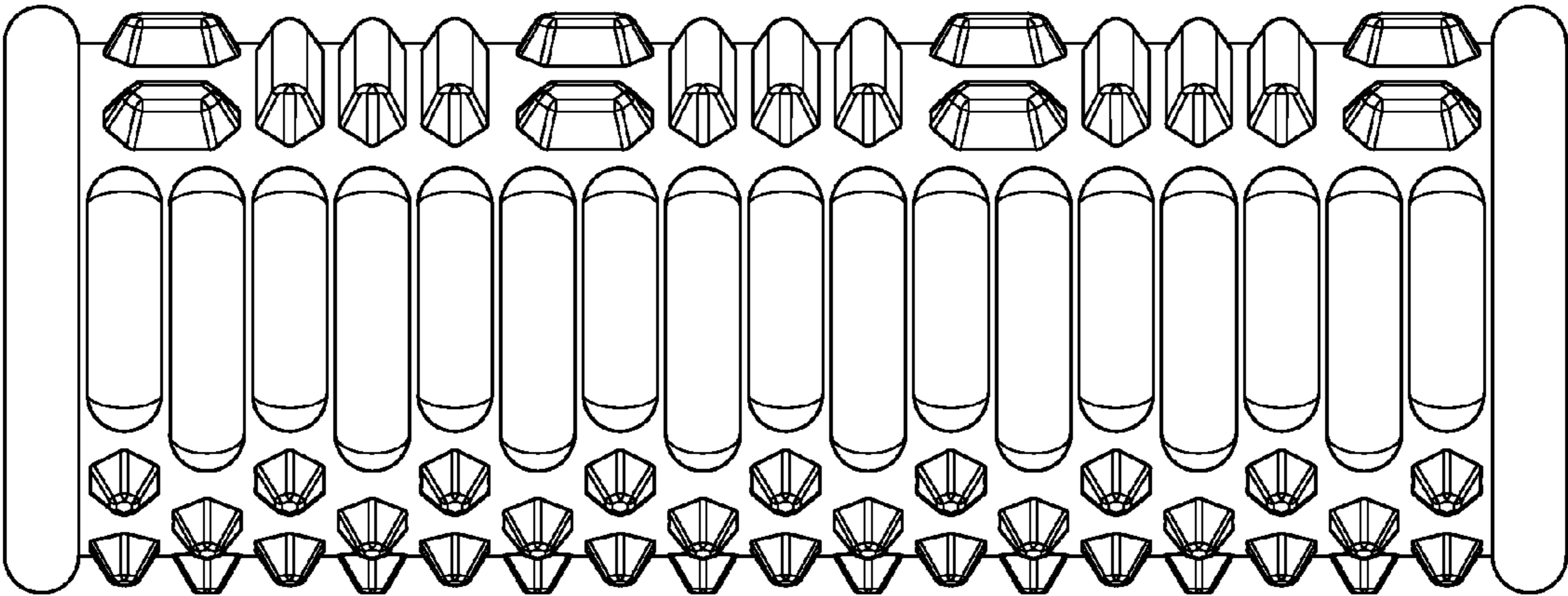
F I G . 4



F I G . 5



F I G . 6



F I G . 7