

US00D693927S

(12) **United States Design Patent**
Wilson et al.

(10) **Patent No.:** **US D693,927 S**
(45) **Date of Patent:** **** Nov. 19, 2013**

(54) **MEDICAL DEVICE**

(75) Inventors: **Scott Harold Wilson**, Chicago, IL (US);
Stephen Michael Christopher,
Chicago, IL (US); **Jon Godston**,
Chicago, IL (US)

(73) Assignee: **Aum Cardiovascular, Inc.**, Northfield,
MN (US)

(**) Term: **14 Years**

(21) Appl. No.: **29/423,151**

(22) Filed: **May 29, 2012**

(51) **LOC (9) Cl.** **24-01**

(52) **U.S. Cl.**
USPC **D24/167**

(58) **Field of Classification Search**
USPC D24/164–168, 186, 187, 107; D10/46,
D10/75, 98, 30, 31, 32, 38; 600/301,
600/481–483, 485, 490, 493–495, 500, 503,
600/509; 128/900

See application file for complete search history.

(56) **References Cited**

U.S. PATENT DOCUMENTS

D341,659 S *	11/1993	Homayoun et al.	D24/167
D411,012 S *	6/1999	Rose	D24/231
6,210,344 B1 *	4/2001	Perin et al.	600/528
D463,561 S *	9/2002	Fukatsu et al.	D24/165
D561,340 S *	2/2008	Kitamura et al.	D24/165
D599,909 S *	9/2009	Rinott et al.	D24/186

OTHER PUBLICATIONS

Image File Wrapper for Application No. PCT/US12/50122, International Filing date Aug. 9, 2012 inventor Marie A. Johnson.

* cited by examiner

Primary Examiner — Anhdao Doan

(74) *Attorney, Agent, or Firm* — Patterson Thuent Pedersen, P.A.

(57) **CLAIM**

The ornamental design for a medical device, as shown and described.

DESCRIPTION

FIG. 1 is a front perspective view of a medical device according to an embodiment of the invention.

FIG. 2 is a top plan view of the medical device depicted in FIG. 1.

FIG. 3 is a bottom plan view of the medical device depicted in FIG. 1.

FIG. 4 is a left side elevational view of the medical device depicted in FIG. 1.

FIG. 5 is a right side elevational view of the medical device depicted in FIG. 1.

FIG. 6 is a back elevational view of the medical device depicted in FIG. 1.

FIG. 7 is a front elevational view of the medical device depicted in FIG. 1; and,

FIG. 8 is a bottom perspective view of the medical device depicted in FIG. 1.

The broken lines in the drawing views are included for the purpose of illustrating portions of the medical device that form no part of the claimed design.

1 Claim, 4 Drawing Sheets

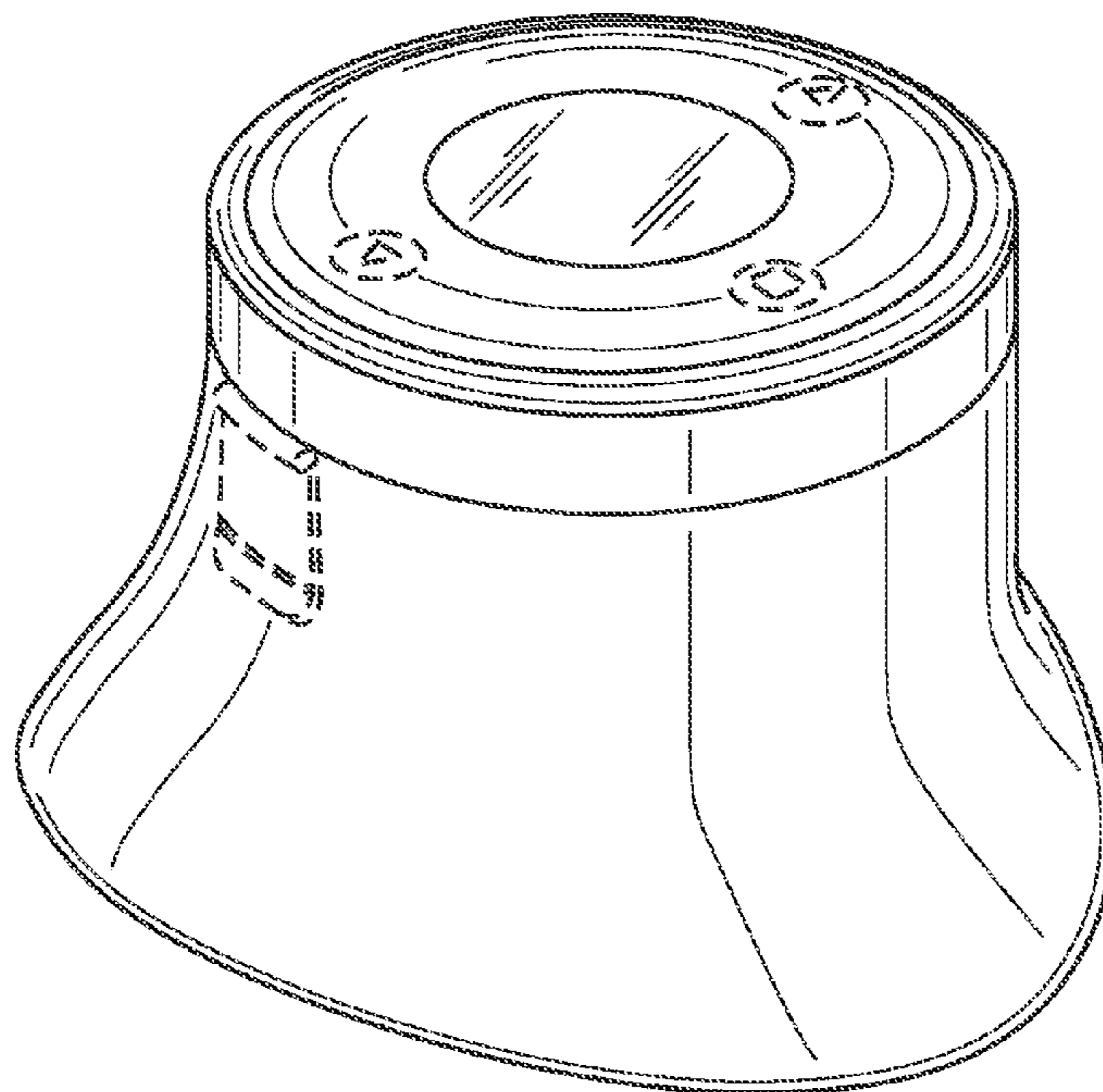


Fig. 1

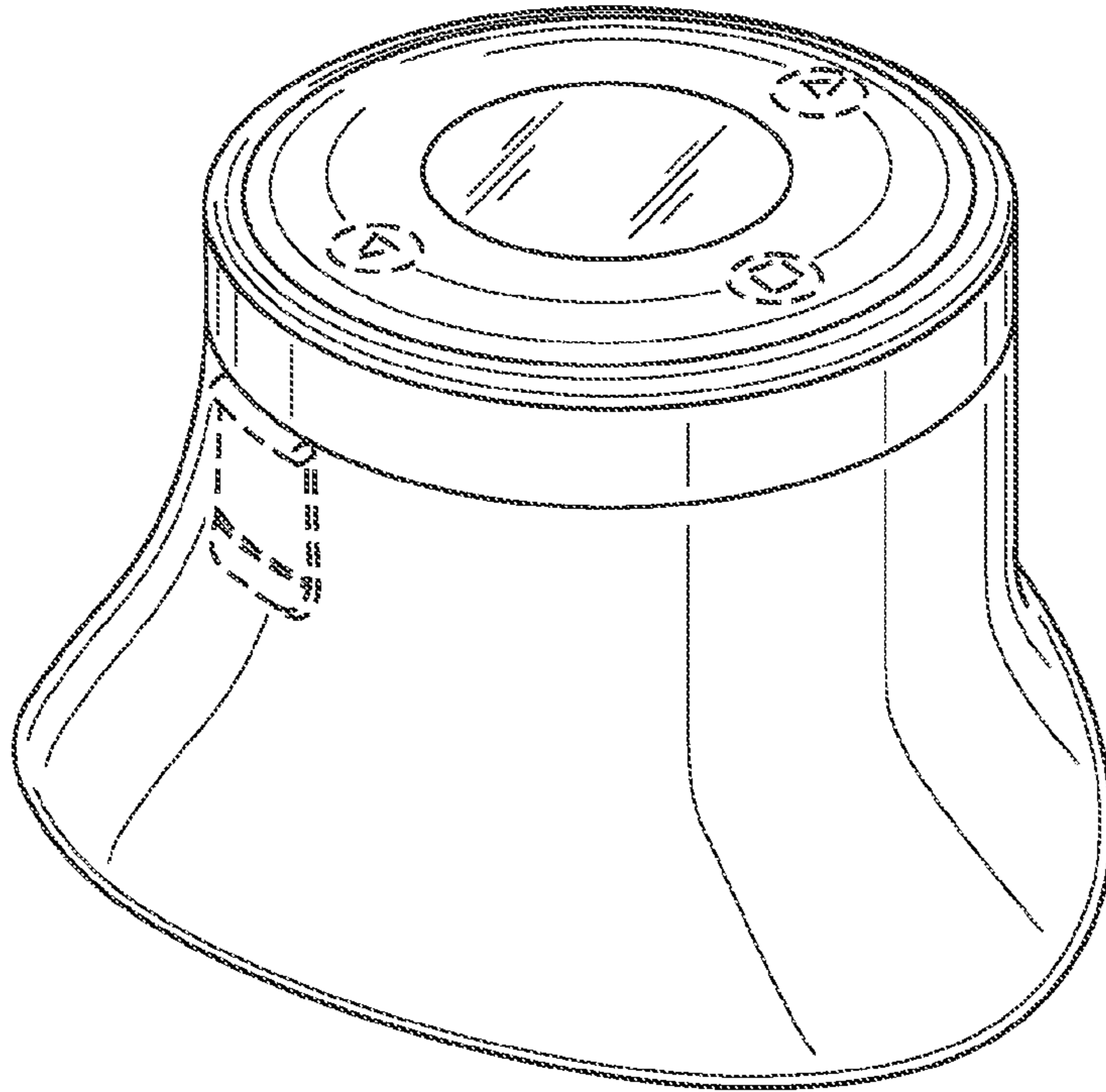


Fig. 2

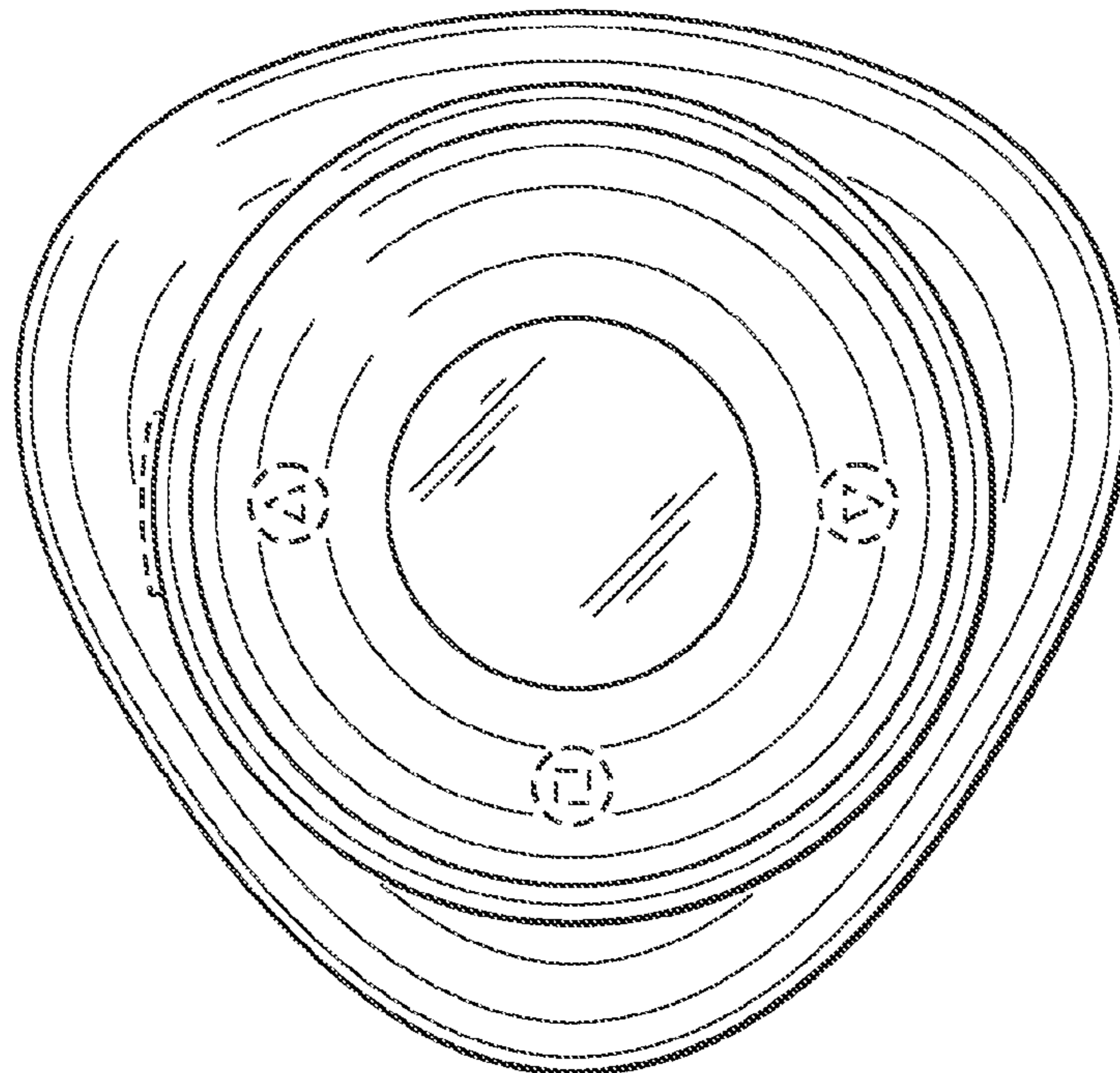


Fig. 3

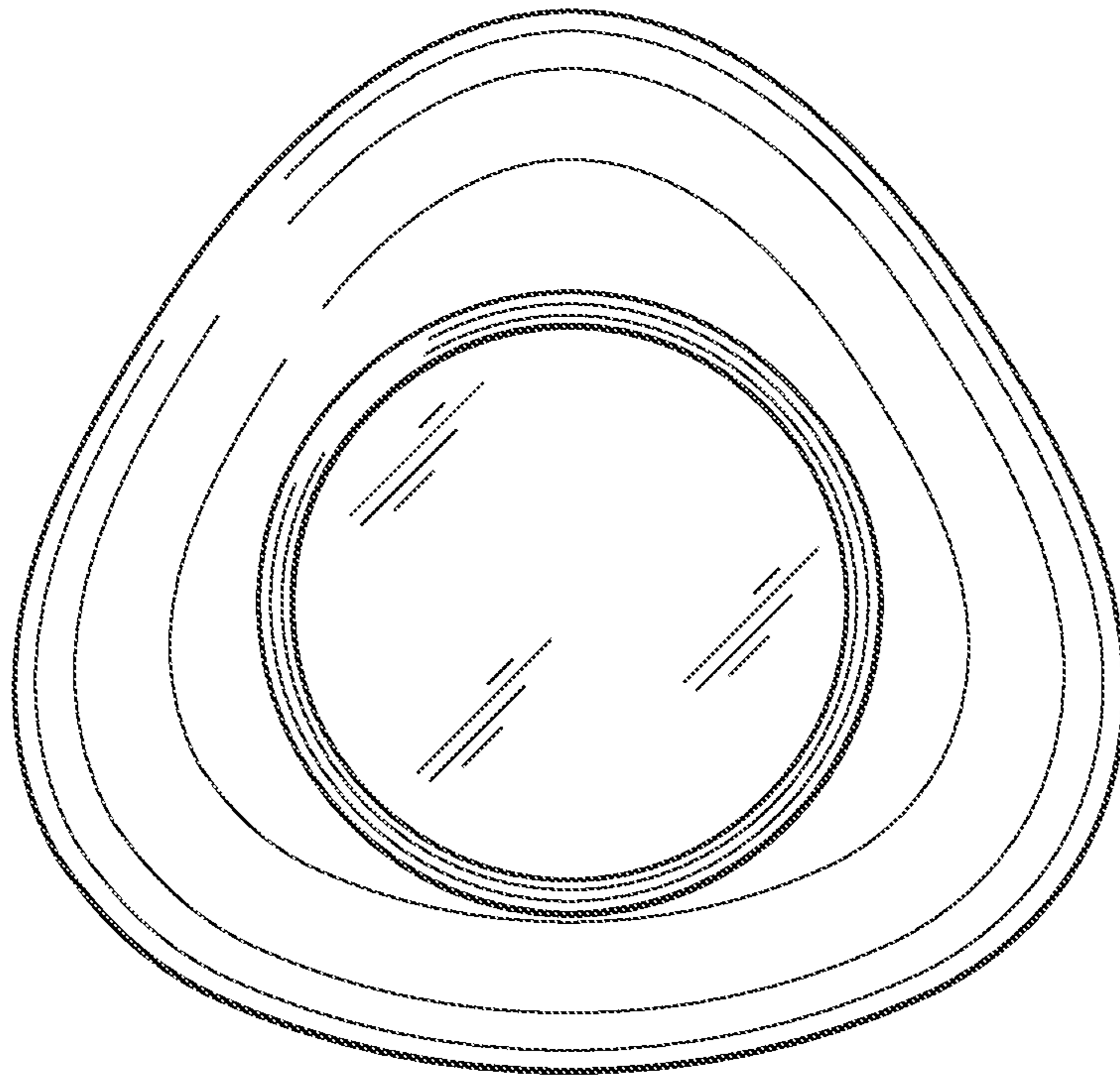


Fig. 4

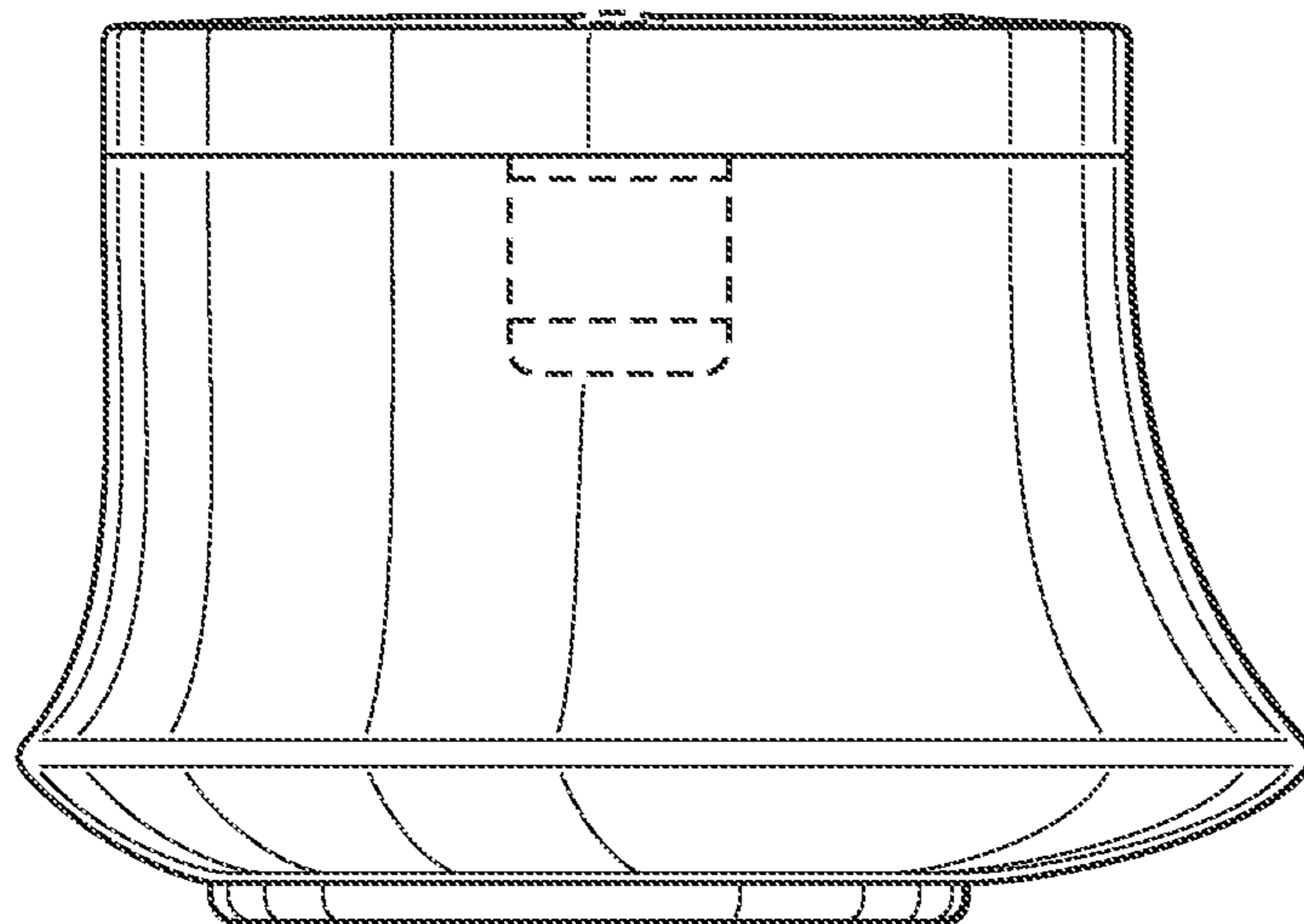


Fig. 5

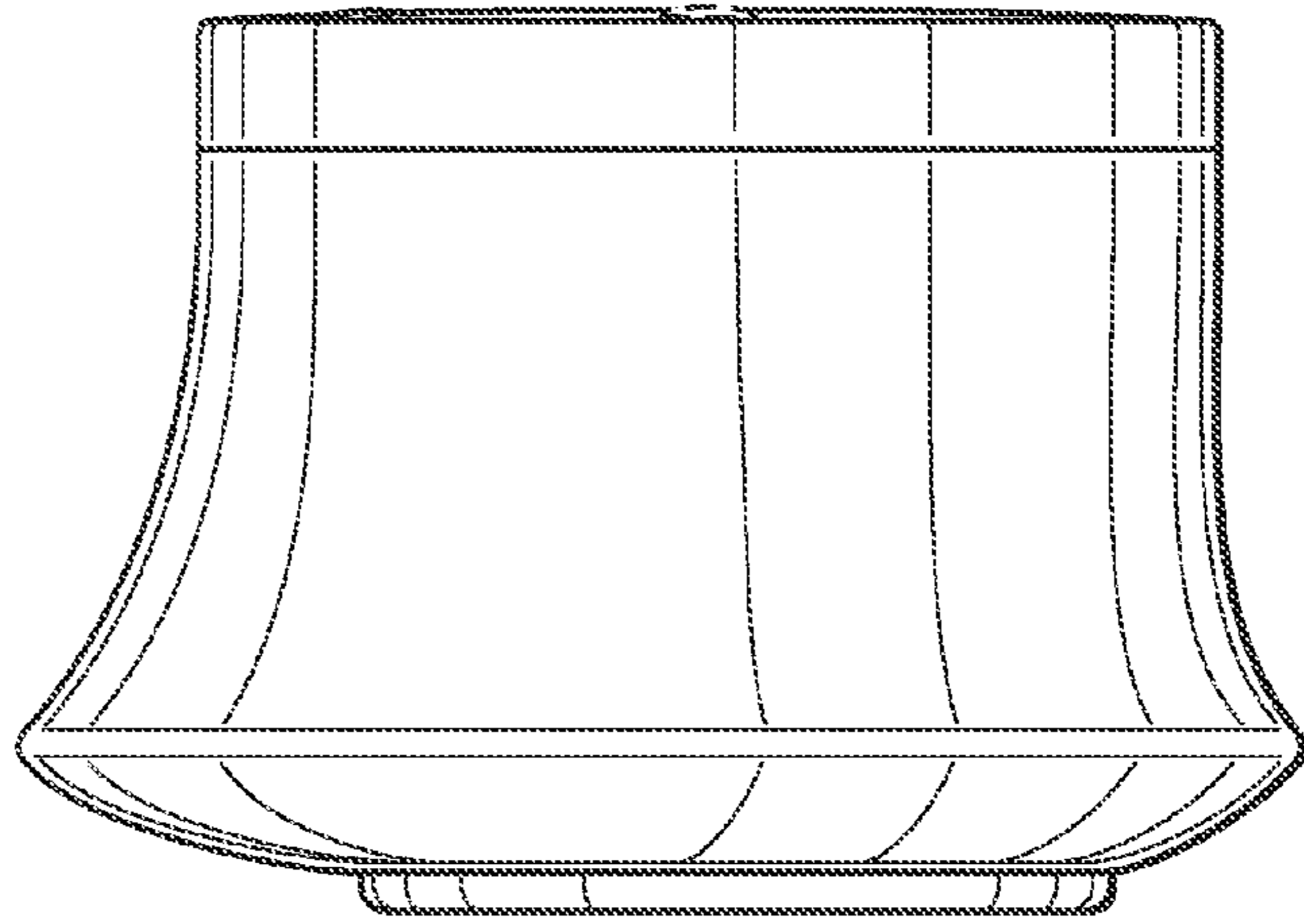


Fig. 6

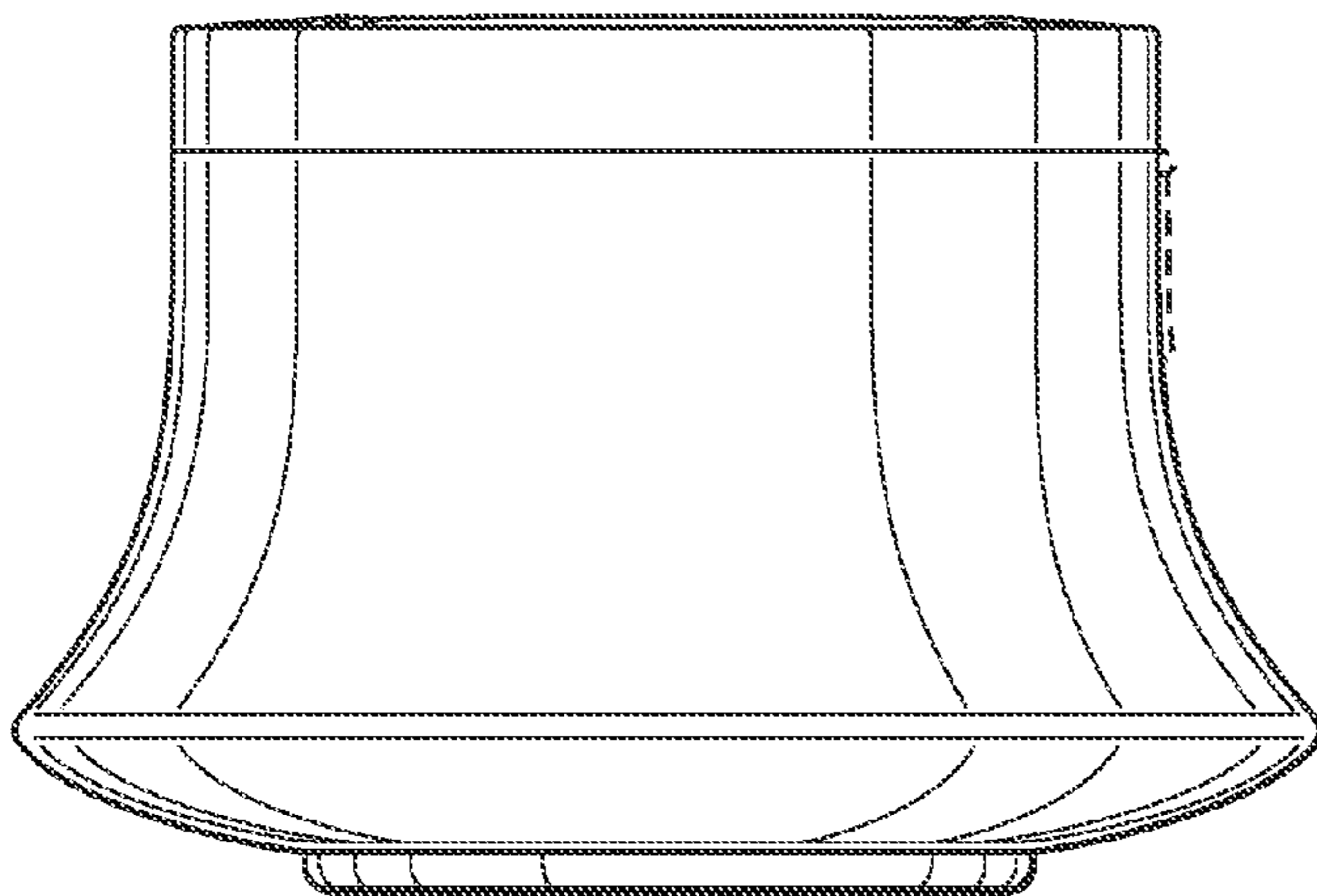


Fig. 7

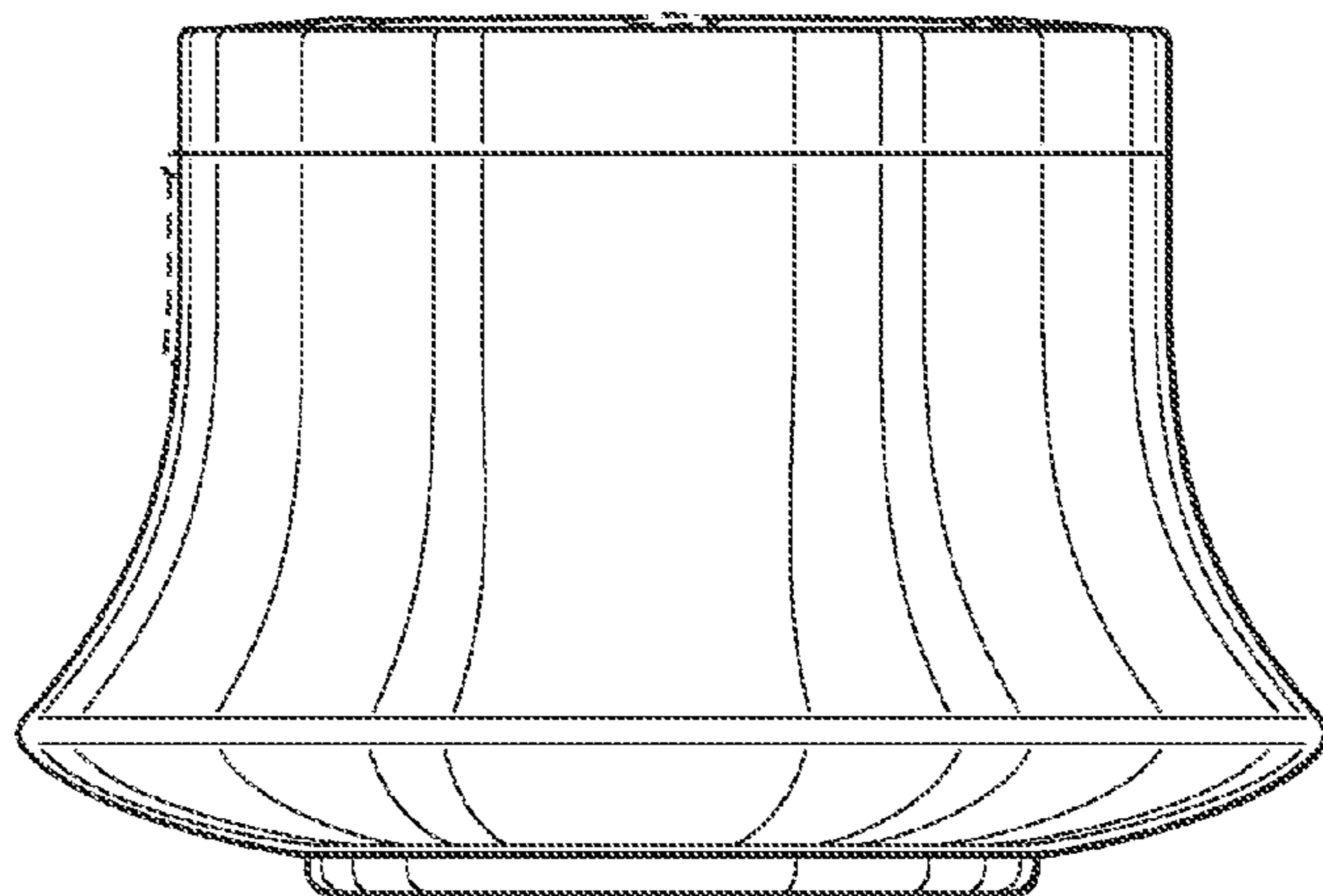


Fig. 8

