

US00D693926S

(12) **United States Design Patent**  
**Perkins et al.**

(10) **Patent No.:** **US D693,926 S**

(45) **Date of Patent:** **\*\* Nov. 19, 2013**

(54) **AIR VALVE**

(76) Inventors: **Matt Perkins**, Boise, ID (US); **Dale Perkins**, Twin Falls, ID (US)

(\*\*) Term: **14 Years**

(21) Appl. No.: **29/364,872**

(22) Filed: **Jun. 29, 2010**

**Related U.S. Application Data**

(63) Continuation-in-part of application No. 11/527,752, filed on Sep. 25, 2006, now abandoned.

(51) **LOC (9) Cl.** ..... **24-02**

(52) **U.S. Cl.**  
USPC ..... **D24/155**

(58) **Field of Classification Search**  
USPC ..... D24/155, 156, 133, 152, 154, 135,  
D24/144-146, 151, 110.6, 129; 623/23.54,  
623/23.7, 1.15, 903, 1.24, 23.68, 34, 38;  
604/9; 236/53, 54; 123/41.04; 181/237;  
D23/233; 251/84-88, 292; 137/136,  
137/144, 216

See application file for complete search history.

(56) **References Cited**

**U.S. PATENT DOCUMENTS**

1,586,015	A	5/1926	Underwood	
2,530,285	A	11/1950	Catrans	
2,533,404	A	12/1950	Sharp et al.	
2,790,180	A	4/1957	Hauser	
4,010,052	A	3/1977	Edwards	
4,106,745	A	8/1978	Carrow	
4,568,337	A *	2/1986	Treharne et al.	604/247
4,655,779	A	4/1987	Janowiak	
4,676,772	A *	6/1987	Hooven	604/9

4,854,840	A *	8/1989	Hunter	425/32
5,007,937	A	4/1991	Fishman et al.	
5,201,774	A	4/1993	Greene	
5,490,537	A	2/1996	Hill	
5,658,353	A	8/1997	Layton	
5,709,017	A	1/1998	Hill	
5,807,303	A	9/1998	Bays	
6,063,125	A *	5/2000	Arbogast et al.	623/34
6,287,345	B1	9/2001	Slemker et al.	
6,334,876	B1	1/2002	Perkins	
6,361,568	B1	3/2002	Hoerner	
6,508,842	B1	1/2003	Caspers	
6,544,292	B1	4/2003	Laghi	
6,613,096	B1 *	9/2003	Shirvis	623/34
6,626,952	B2	9/2003	Janusson et al.	

(Continued)

*Primary Examiner* — Ian Simmons

*Assistant Examiner* — Charles Hanson

(74) *Attorney, Agent, or Firm* — Pedersen and Company, PLLC; Ken J. Pedersen; Barbara S. Pedersen

(57) **CLAIM**

The ornamental design for an air valve, as shown and described.

**DESCRIPTION**

FIG. 1 is a side perspective view of the invented design for an air valve.

FIG. 2 is a front view of the air valve of FIG. 1.

FIG. 3 is a rear view of the air valve of FIG. 1.

FIG. 4 is a right side view of the air valve of FIG. 1.

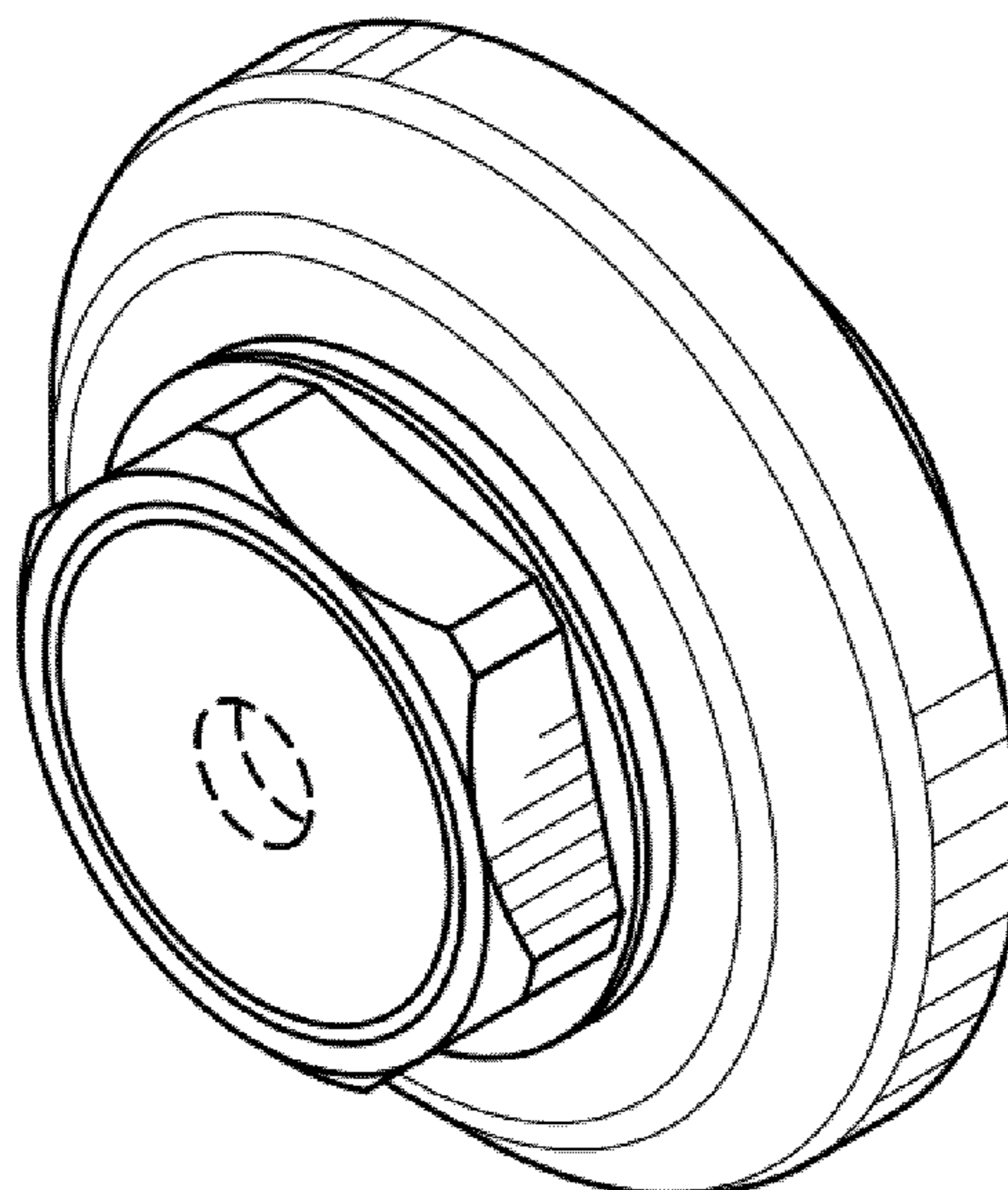
FIG. 5 is a left side view of the air valve of FIG. 1.

FIG. 6 is a top view of the air valve of FIG. 1; and,

FIG. 7 is a bottom view of the air valve of FIG. 1.

The broken line showing is included for the purpose of illustrating environment and forms no part of the claimed design.

**1 Claim, 1 Drawing Sheet**



(56)

References Cited

U.S. PATENT DOCUMENTS

6,706,364	B2	3/2004	Janusson et al.	8,282,686	B2 *	10/2012	McKinney	623/34
6,761,742	B2	7/2004	Caspers	2004/0181290	A1	9/2004	Caspers	
6,797,008	B1	9/2004	Arbogast et al.	2004/0260403	A1	12/2004	Patterson et al.	
7,108,722	B2 *	9/2006	Wagman	2007/0005149	A1	1/2007	Egilsson et al.	
7,448,407	B2	11/2008	Alley et al.	2007/0112440	A1 *	5/2007	Perkins et al.	623/34
RE42,395	E *	5/2011	Wright et al.	2009/0198346	A1 *	8/2009	Perkins et al.	623/33
7,993,413	B2 *	8/2011	Perkins et al.	2010/0087931	A1	4/2010	Bogue	
D651,712	S *	1/2012	Gao	2010/0249950	A1 *	9/2010	Bielefeld	623/36
				2011/0295386	A1 *	12/2011	Perkins et al.	623/34
				2011/0307080	A1 *	12/2011	Perkins et al.	623/34

\* cited by examiner

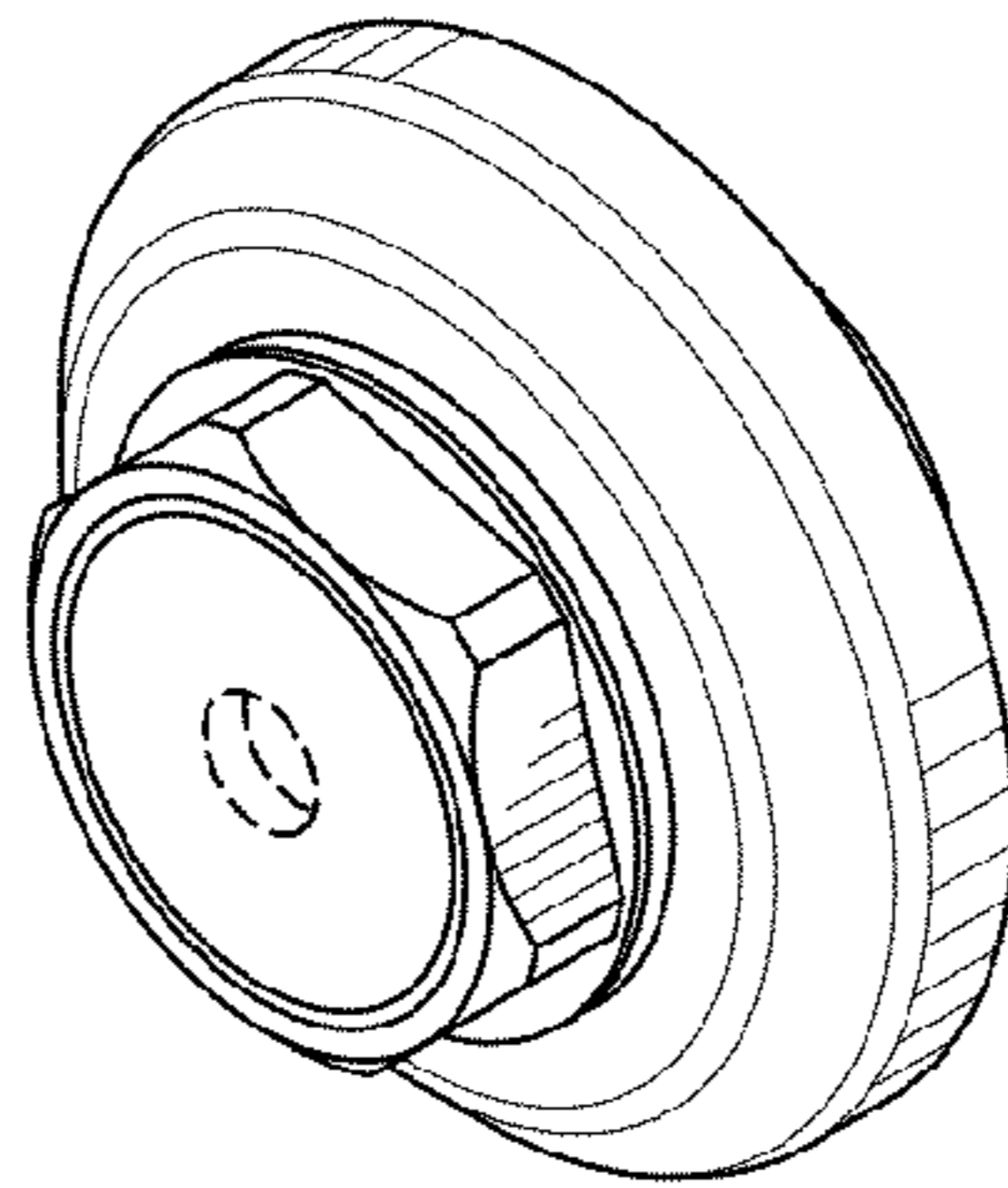


Fig. 1

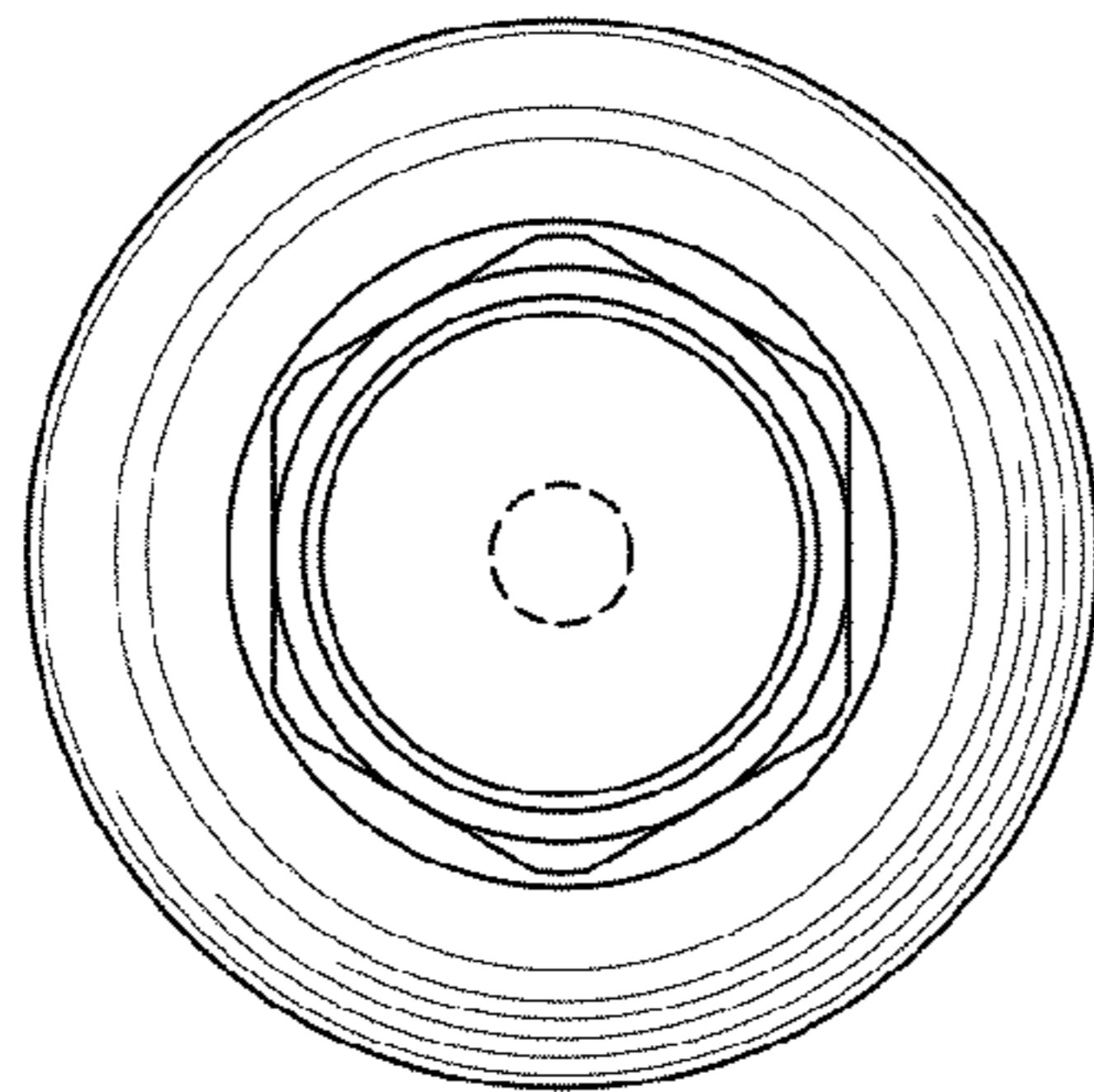


Fig. 2

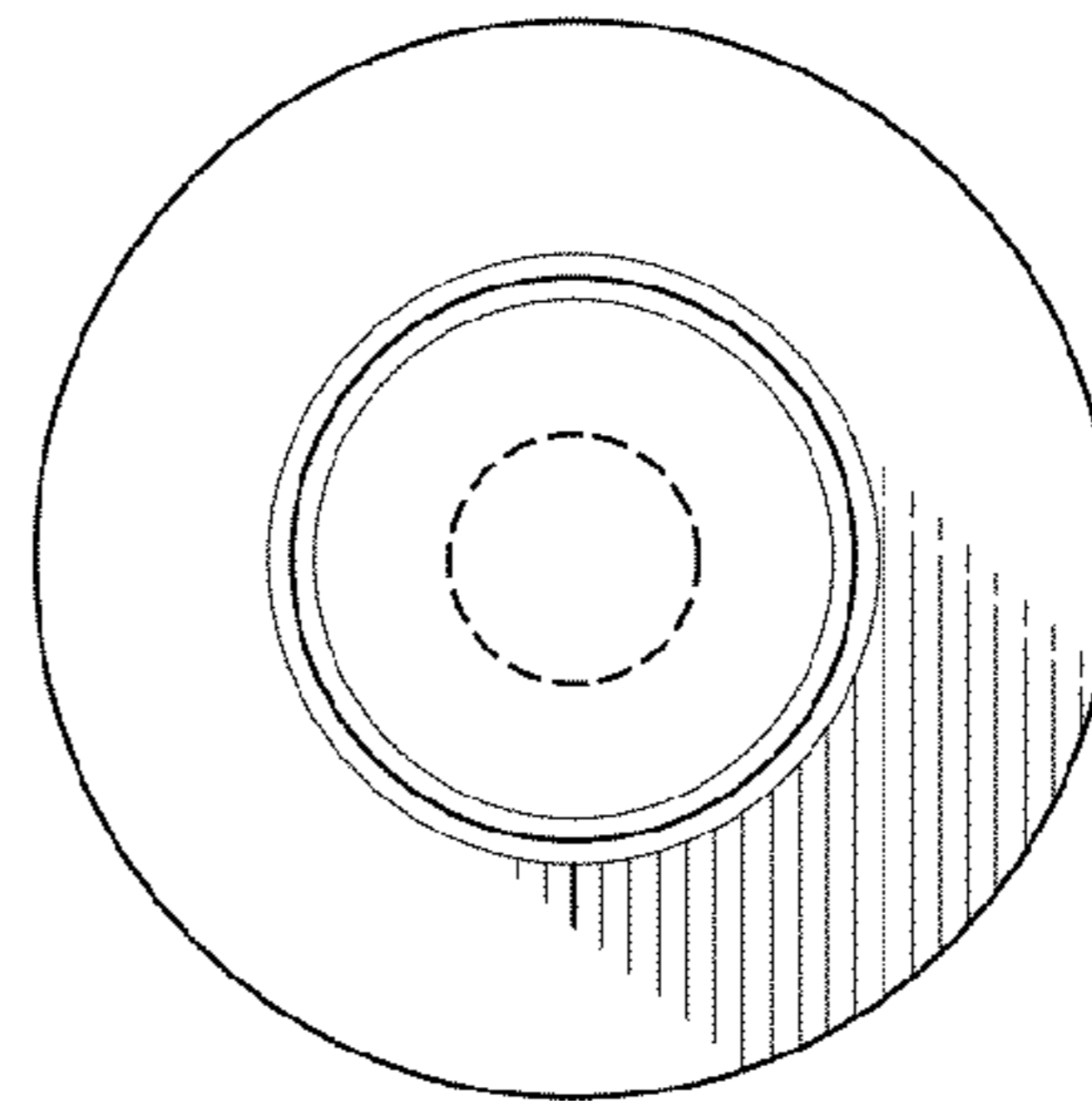


Fig. 3

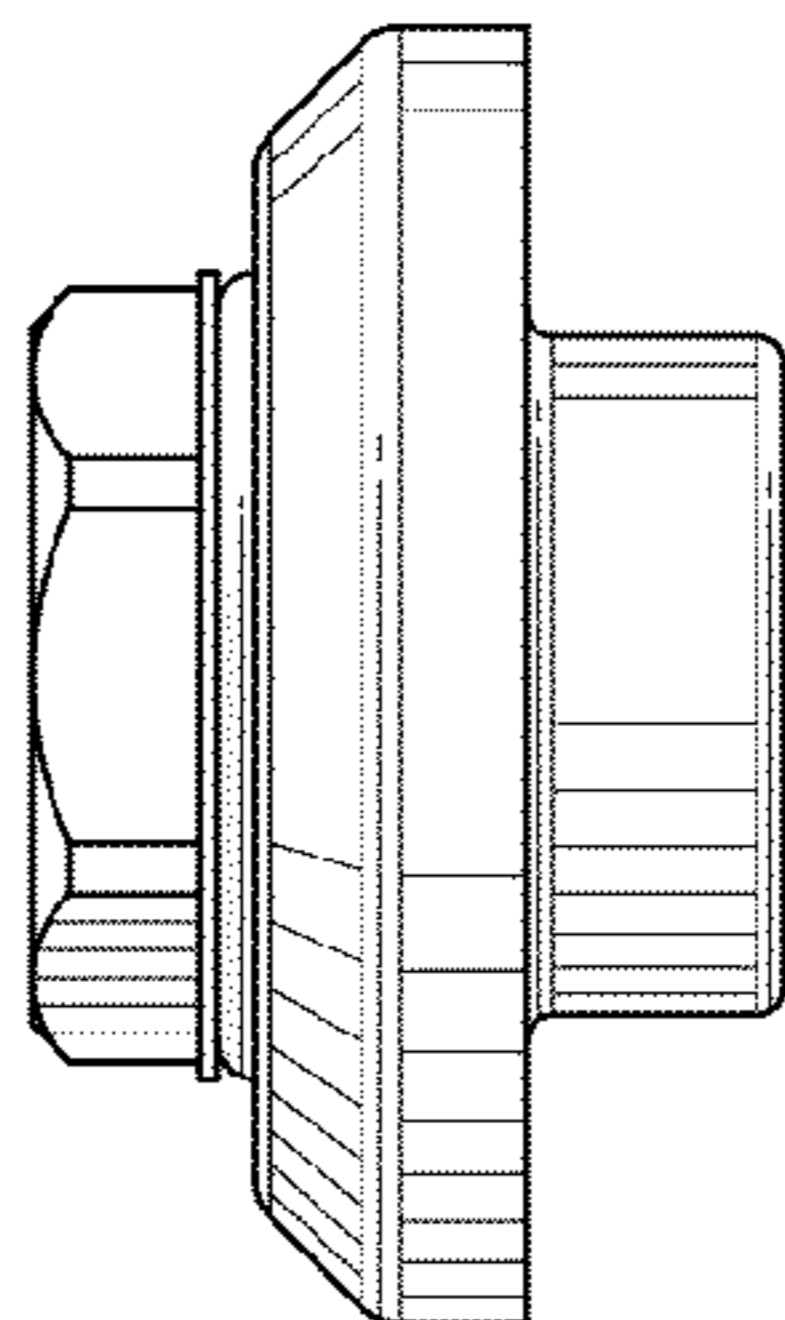


Fig. 4

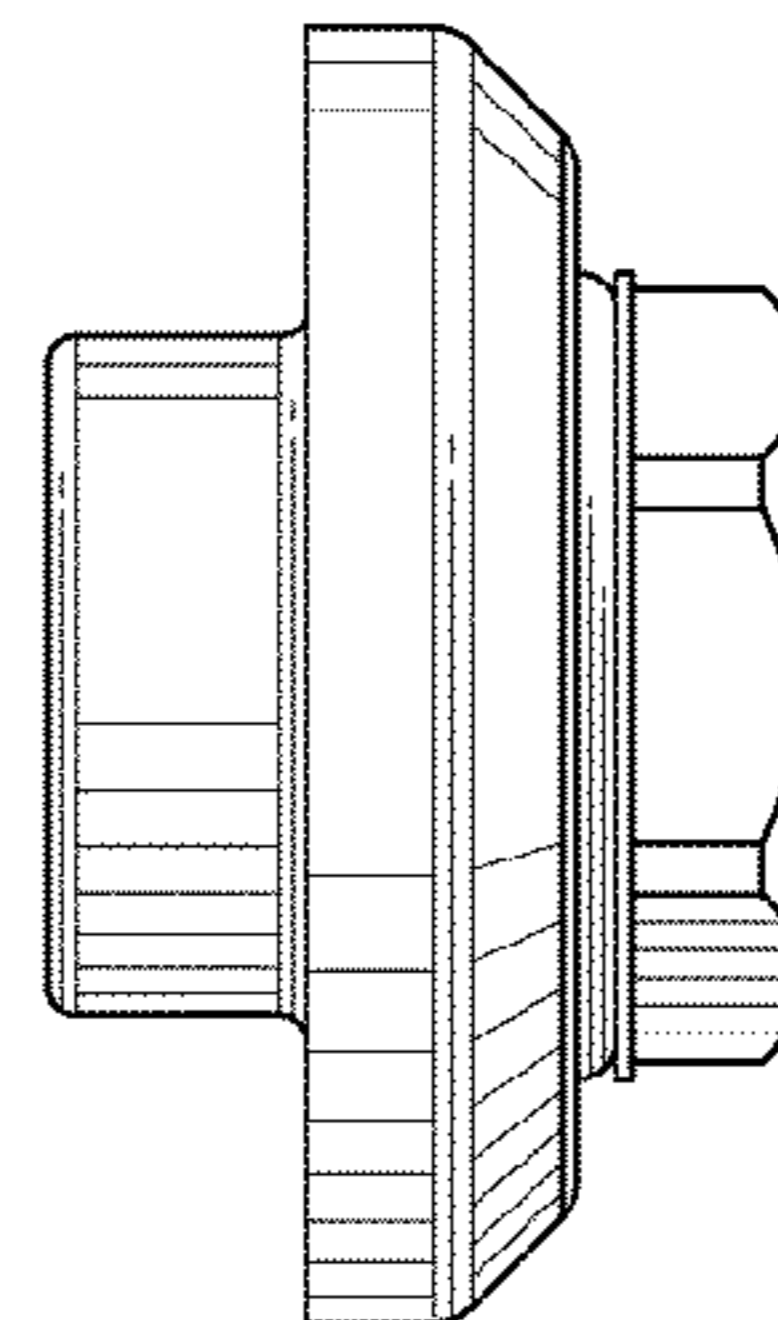


Fig. 5

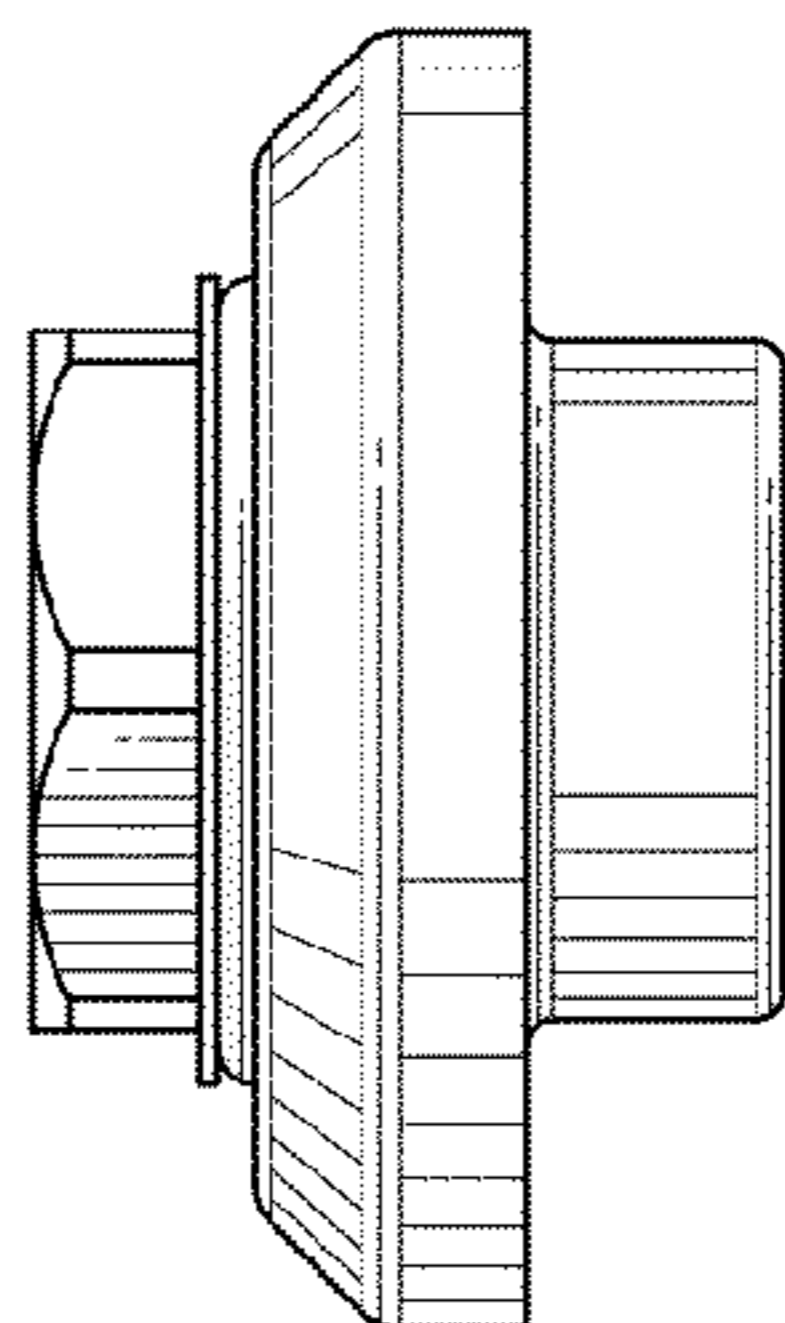


Fig. 6

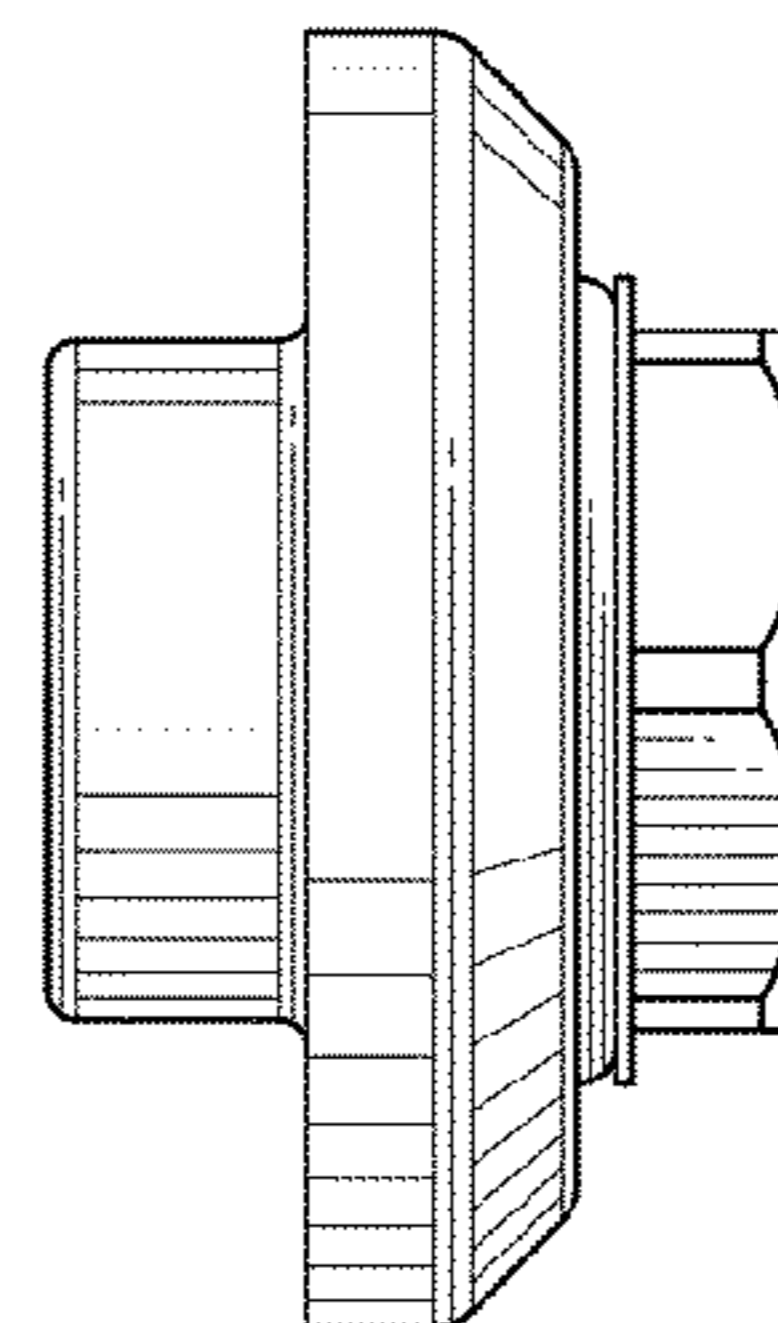


Fig. 7