

US00D693925S

(12) **United States Design Patent**
Hunt et al.

(10) **Patent No.:** **US D693,925 S**

(45) **Date of Patent:** **** Nov. 19, 2013**

- (54) **SURGICAL STAPLE CARTRIDGE**
- (75) Inventors: **John V. Hunt**, Cincinnati, OH (US);
Siliang Chen, Shanghai (CN); **Peter B. Madson**, Shanghai (CN); **Zhang Yang**, Shanghai (CN); **Shan Wan**, Mason, OH (US)
- (73) Assignee: **Ethicon Endo-Surgery, Inc.**, Cincinnati, OH (US)

4,523,707	A *	6/1985	Blake et al.	227/19
D284,402	S *	6/1986	Hunt	D24/145
D284,403	S *	6/1986	Green	D24/145
4,619,262	A *	10/1986	Taylor	227/177.1
4,645,111	A *	2/1987	Larrabee et al.	227/19
4,662,555	A *	5/1987	Thornton	227/19
4,664,305	A *	5/1987	Blake et al.	227/19
D299,270	S *	1/1989	Green et al.	D24/145
4,951,860	A *	8/1990	Peters et al.	227/177.1
D320,272	S *	9/1991	Green	D24/145
6,601,748	B1 *	8/2003	Fung et al.	227/176.1
7,048,171	B2 *	5/2006	Thornton et al.	227/176.1

(**) Term: **14 Years**

* cited by examiner

(21) Appl. No.: **29/423,500**

Primary Examiner — Wan Laymon

(22) Filed: **Jun. 1, 2012**

(57) **CLAIM**

(51) **LOC (9) Cl.** **24-02**

The ornamental design for a surgical staple cartridge, as shown and described.

(52) **U.S. Cl.**

DESCRIPTION

USPC **D24/145**

(58) **Field of Classification Search**

USPC D24/145, 143; 606/75, 213, 219;
227/175.1–175.3, 176.1, 177.1, 180.1,
227/181.1, 19, 902

See application file for complete search history.

FIG. 1 is a front end view of the surgical staple cartridge.
FIG. 2 is a rear end view thereof.
FIG. 3 is a left side view thereof.
FIG. 4 is a right side view thereof.
FIG. 5 is a top plan view thereof.
FIG. 6 is a bottom plan view thereof; and,
FIG. 7 is a perspective view thereof.

(56) **References Cited**

U.S. PATENT DOCUMENTS

4,179,057	A *	12/1979	Becht et al.	227/19
D271,418	S *	11/1983	Campbell et al.	D24/145
D272,647	S *	2/1984	Warman et al.	D24/145

The broken lines shown in the figures represent portions of the surgical staple cartridge that form no part of the claimed design.

1 Claim, 7 Drawing Sheets

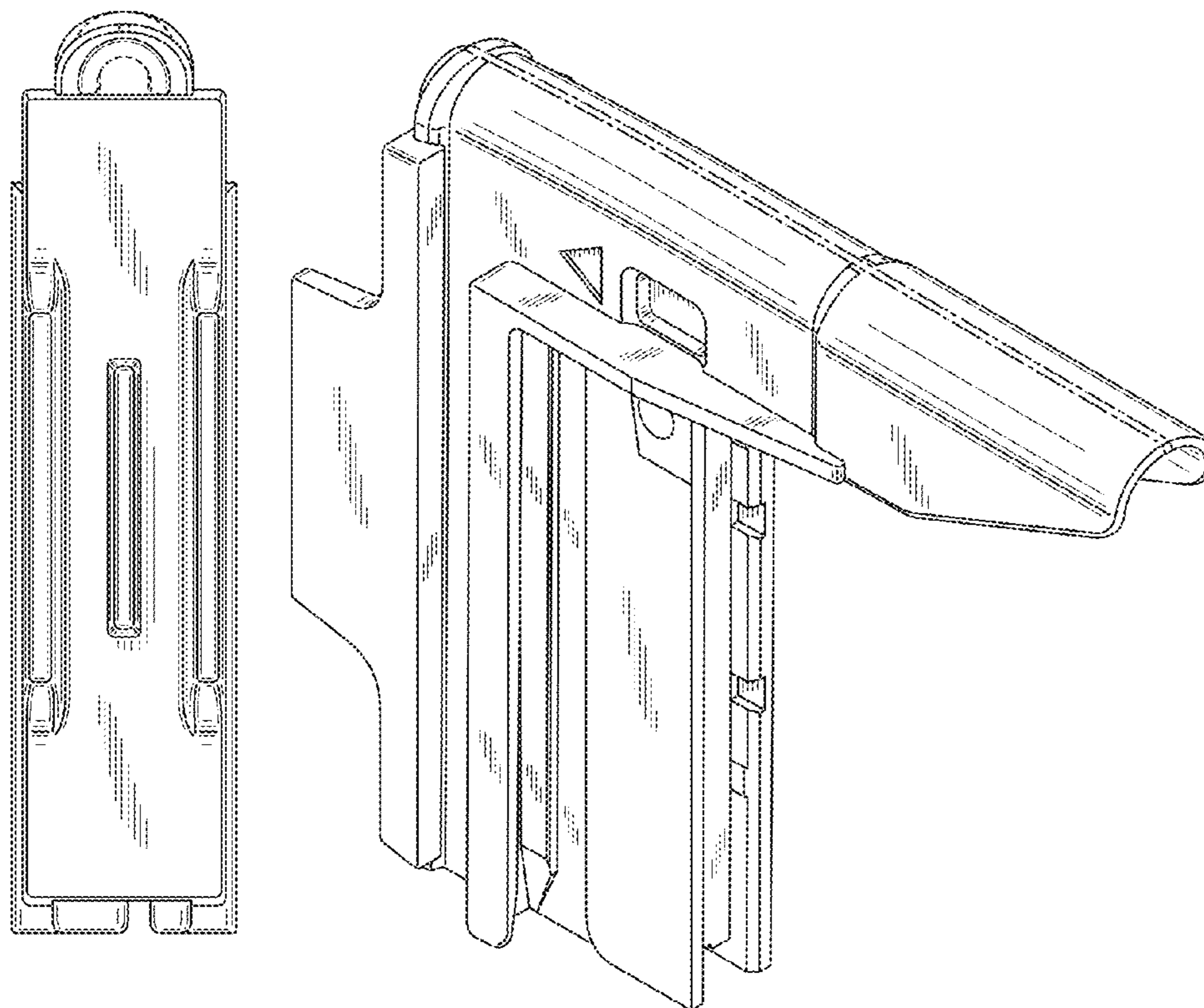


FIG. 1

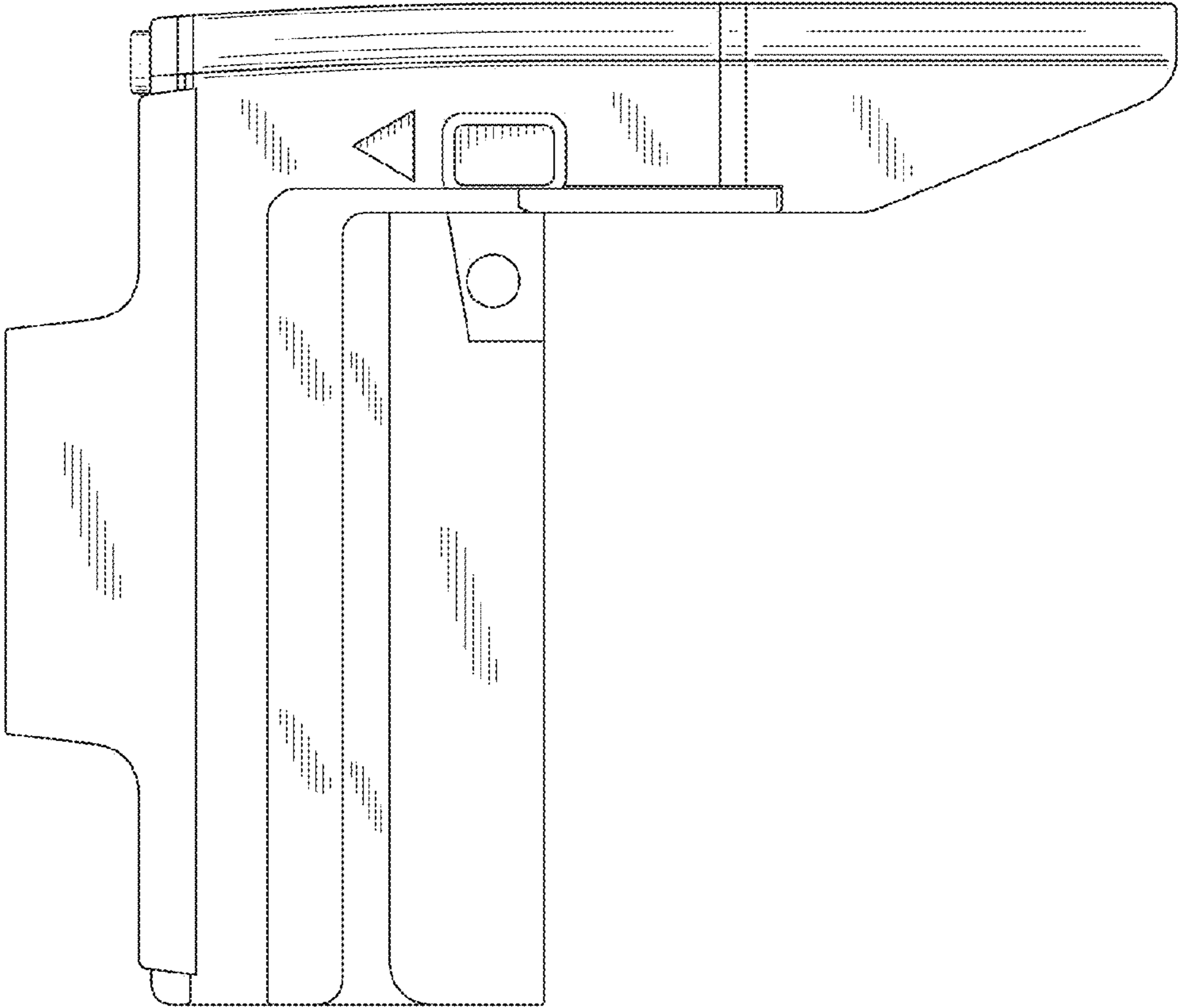


FIG. 2

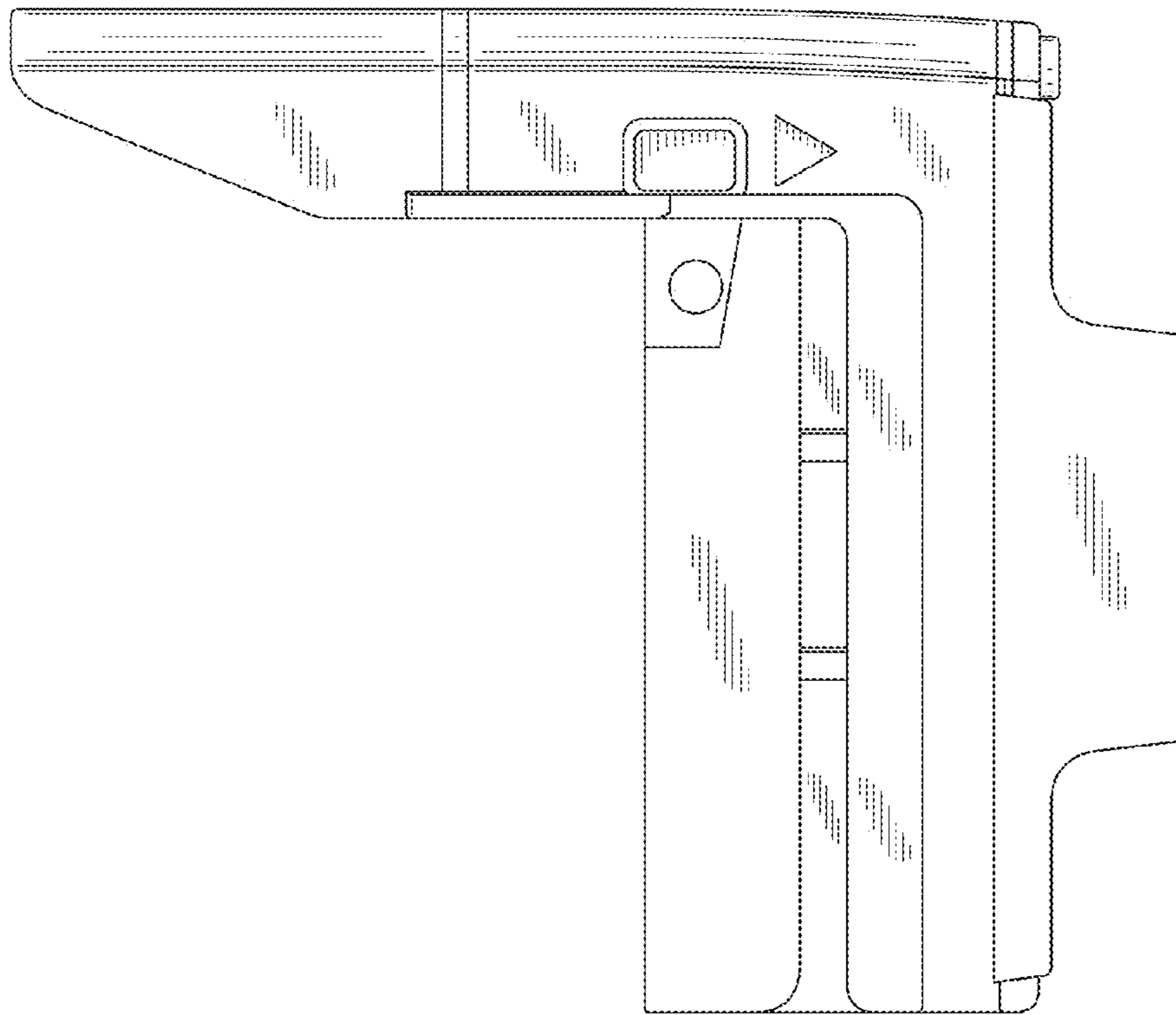


FIG. 3

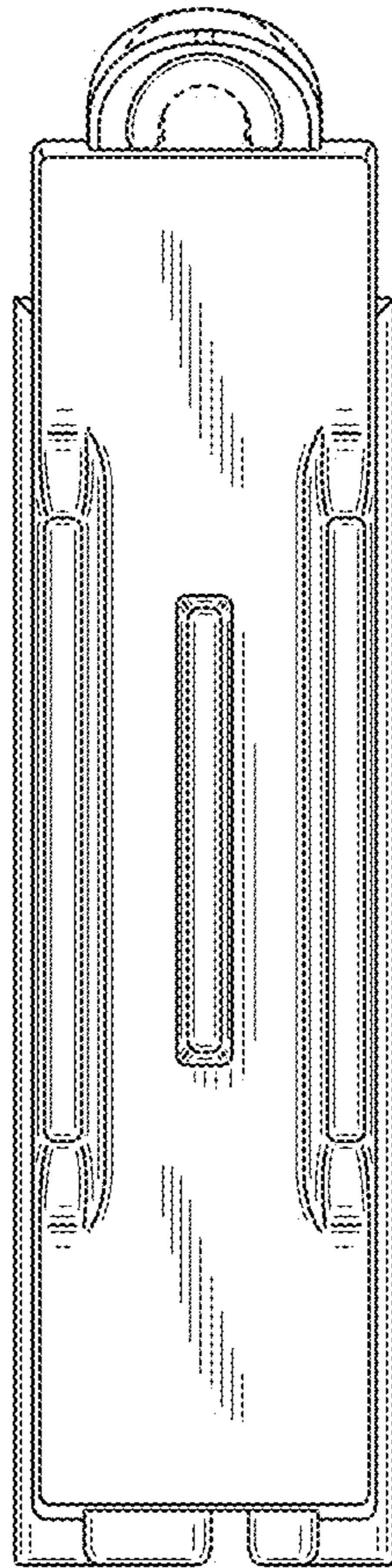


FIG. 4

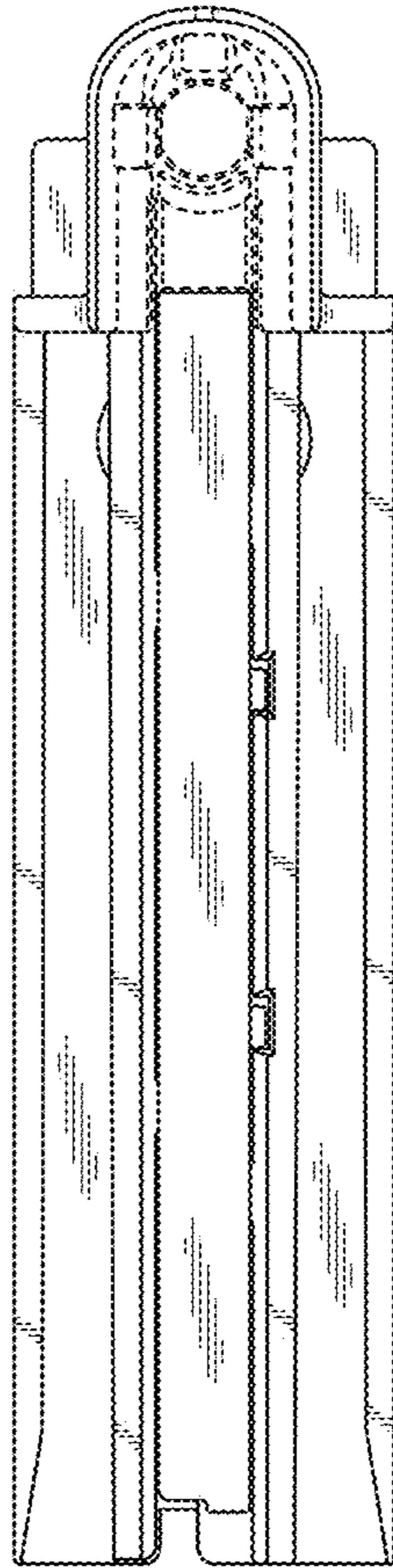


FIG. 5

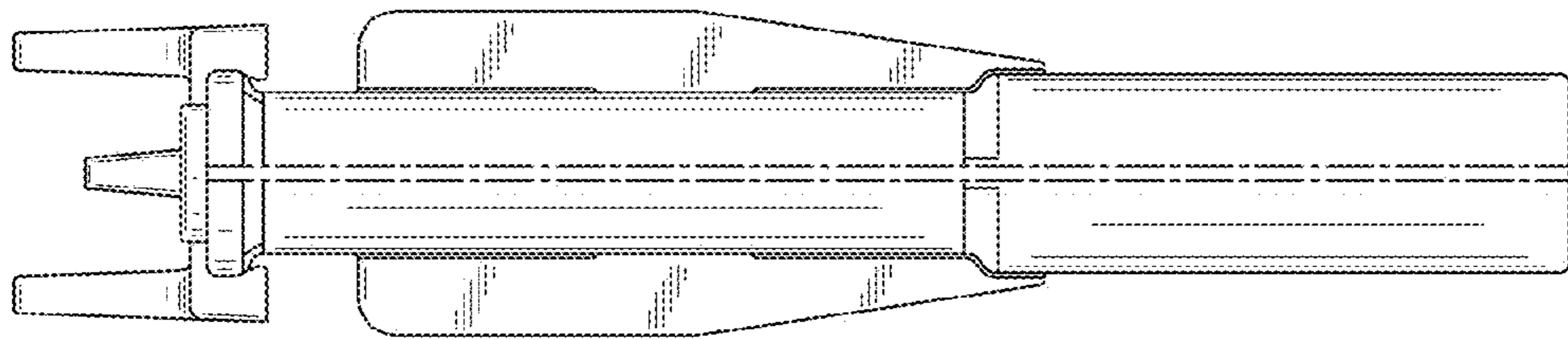


FIG. 6

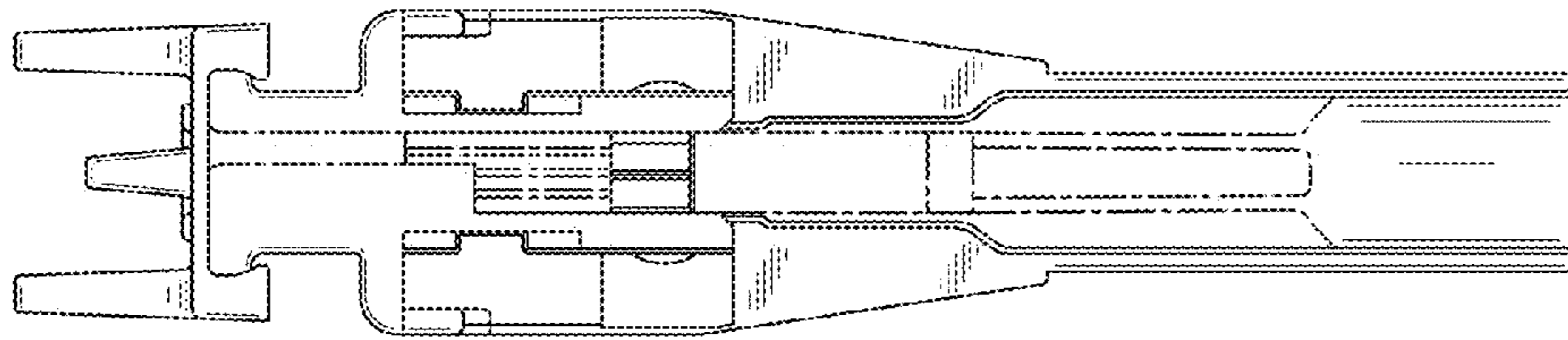


FIG. 7

