



US00D693923S

(12) **United States Design Patent**
Hernandez et al.

(10) **Patent No.:** **US D693,923 S**
(45) **Date of Patent:** **** Nov. 19, 2013**

(54) **VISUAL AID TRANSDUCER PROTECTOR**

(75) Inventors: **Irving Hernandez**, Tamaulipas (MX);
Yim Christopher Chau, Mission, TX
(US)

(73) Assignee: **Fresenius Medical Care Holdings, Inc.**,
Waltham, MA (US)

(**) Term: **14 Years**

(21) Appl. No.: **29/387,718**

(22) Filed: **Mar. 17, 2011**

(51) **LOC (9) Cl.** **24-02**

(52) **U.S. Cl.**
USPC **D24/129**

(58) **Field of Classification Search**
USPC D24/129, 108; 604/29, 32, 30, 523,
604/533, 535, 538, 905, 248; 285/148.19,
285/148.21; 210/321.6, 456; D23/261;
204/192.12, 298.11

See application file for complete search history.

(56) **References Cited**

U.S. PATENT DOCUMENTS

4,077,882	A	3/1978	Gangemi	
4,113,627	A	9/1978	Leason	
4,411,792	A *	10/1983	Babb	210/651
4,539,998	A	9/1985	McCord et al.	
D298,596	S *	11/1988	Suttles	D6/516
5,171,216	A *	12/1992	Dasse et al.	604/533
5,269,917	A	12/1993	Stankowski	
5,443,723	A	8/1995	Stankowski	
5,500,003	A	3/1996	Guala et al.	
5,798,041	A *	8/1998	Zuk, Jr.	210/456
5,980,702	A *	11/1999	Parker	204/298.11
6,086,762	A	7/2000	Guala	
D437,052	S *	1/2001	Newsom	D24/129
D439,663	S *	3/2001	Guala	D24/129
6,536,278	B1	3/2003	Scagliarini	
6,652,509	B1 *	11/2003	Helgren et al.	604/535
D495,050	S *	8/2004	Guala	D24/129
6,997,914	B2 *	2/2006	Smith et al.	604/533
7,179,378	B2	2/2007	Guala	

D540,944	S *	4/2007	Guala	D24/129
D580,009	S *	11/2008	LeJeune	D23/209
8,440,085	B2 *	5/2013	Bormann et al.	210/321.6
2001/0000061	A1	3/2001	Myers	
2004/0173516	A1	9/2004	Guala	
2004/0237785	A1	12/2004	Neri	
2005/0132826	A1	6/2005	Tuegels	
2005/0279692	A1	12/2005	Caleffi	
2006/0282036	A1	12/2006	Gatti et al.	
2008/0221499	A1	9/2008	Ardans et al.	

FOREIGN PATENT DOCUMENTS

JP	2001129079	A	5/2001
JP	2004337287	A	12/2004
WO	2009031171	A1	3/2009

* cited by examiner

Primary Examiner — David Muller

(74) *Attorney, Agent, or Firm* — Kilyk & Bowersox,
P.L.L.C.

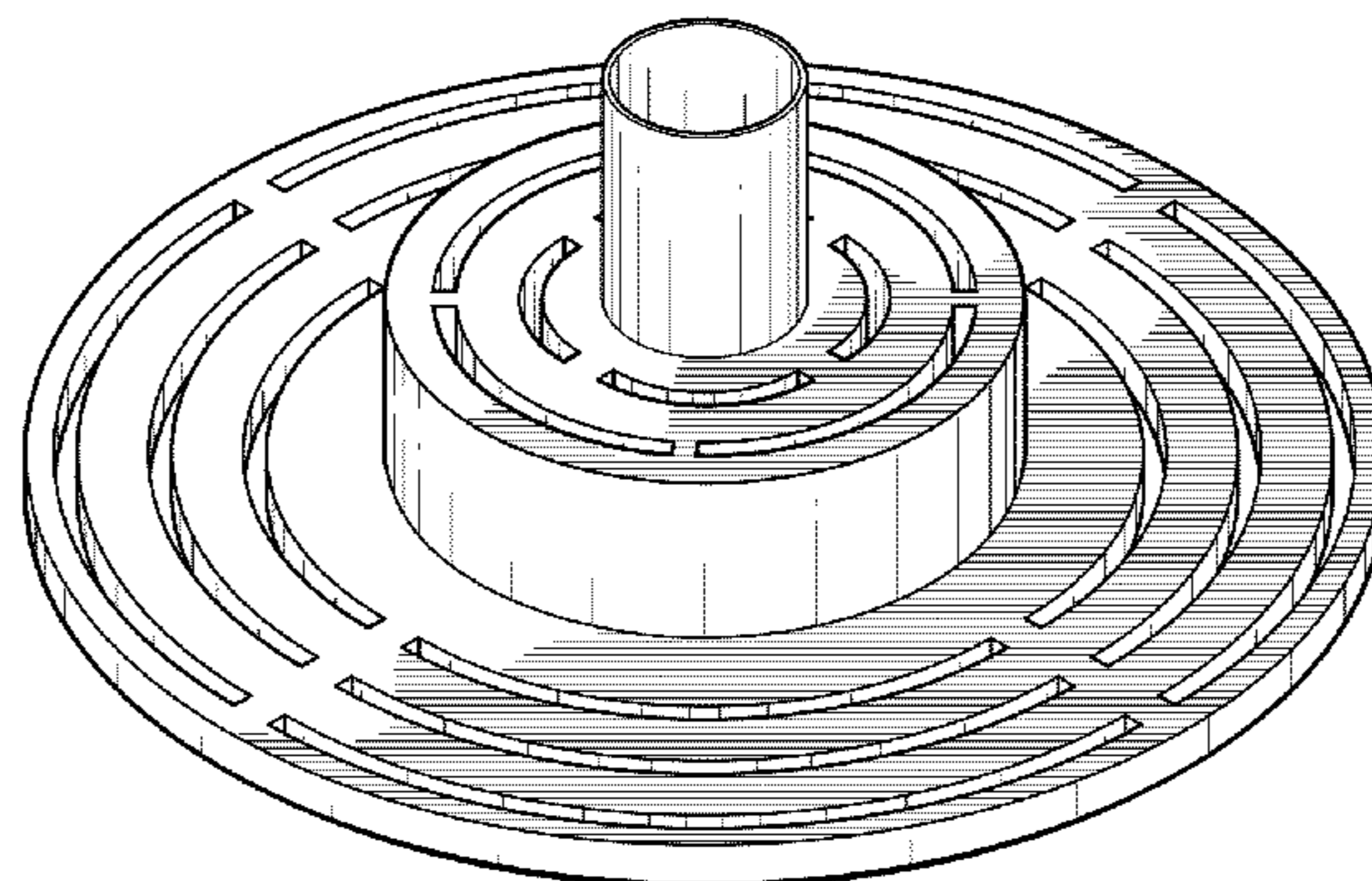
(57) **CLAIM**

The ornamental design for a visual aid transducer protector,
as shown and described.

DESCRIPTION

FIG. 1 is a top perspective view of our visual aid transducer protector design;
 FIG. 2 is a left side view of the visual aid transducer protector shown in FIG. 1;
 FIG. 3 is a front view of the visual aid transducer protector shown in FIG. 1;
 FIG. 4 is a right side view of the visual aid transducer protector shown in FIG. 1;
 FIG. 5 is a back view of the visual aid transducer protector shown in FIG. 1;
 FIG. 6 is a top view of the visual aid transducer protector shown in FIG. 1;
 FIG. 7 is a bottom view of the visual aid transducer protector shown in FIG. 1; and,
 FIG. 8 is a bottom perspective view of the visual aid transducer protector shown in FIG. 1.

1 Claim, 4 Drawing Sheets



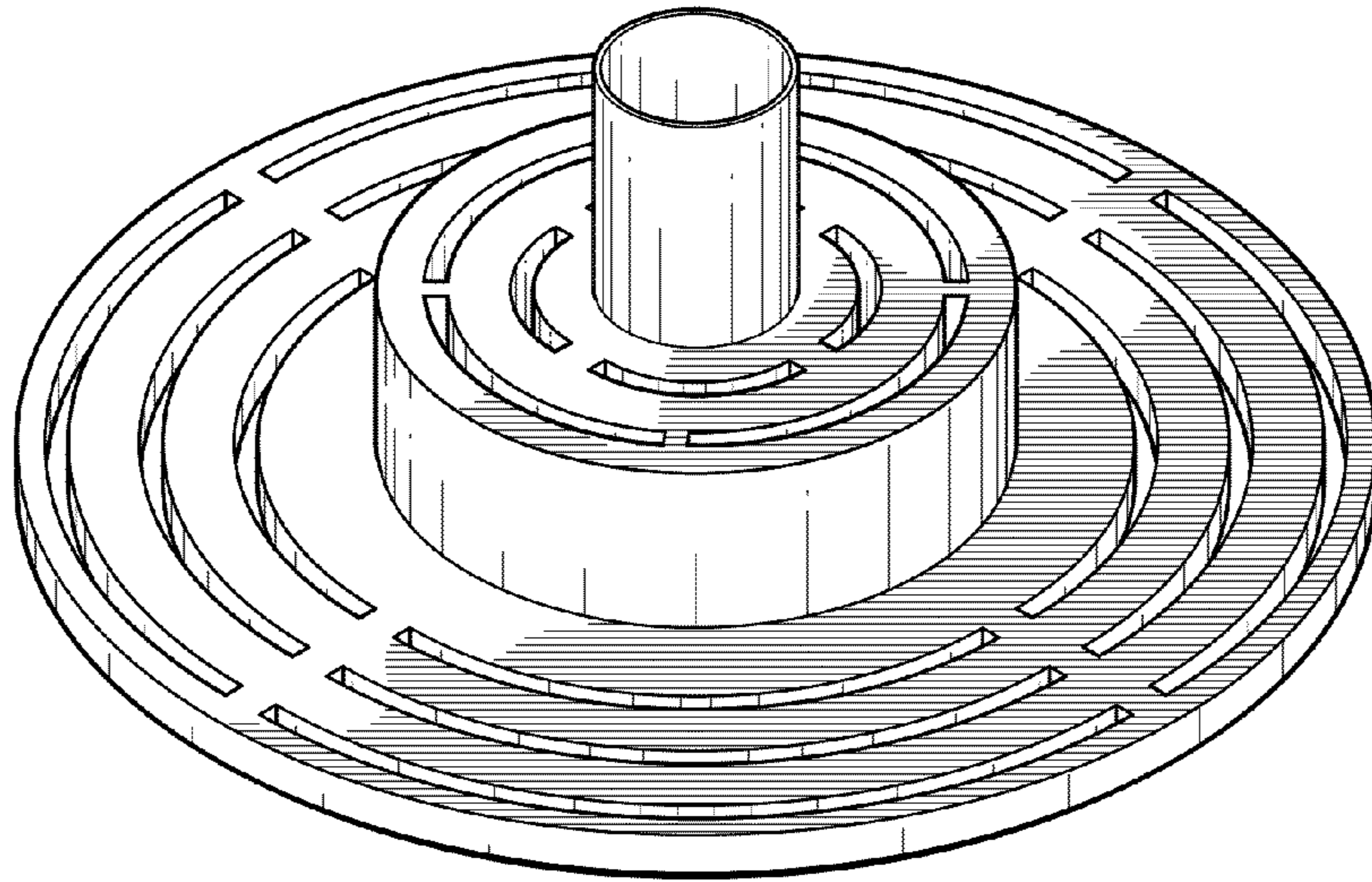


FIG. 1

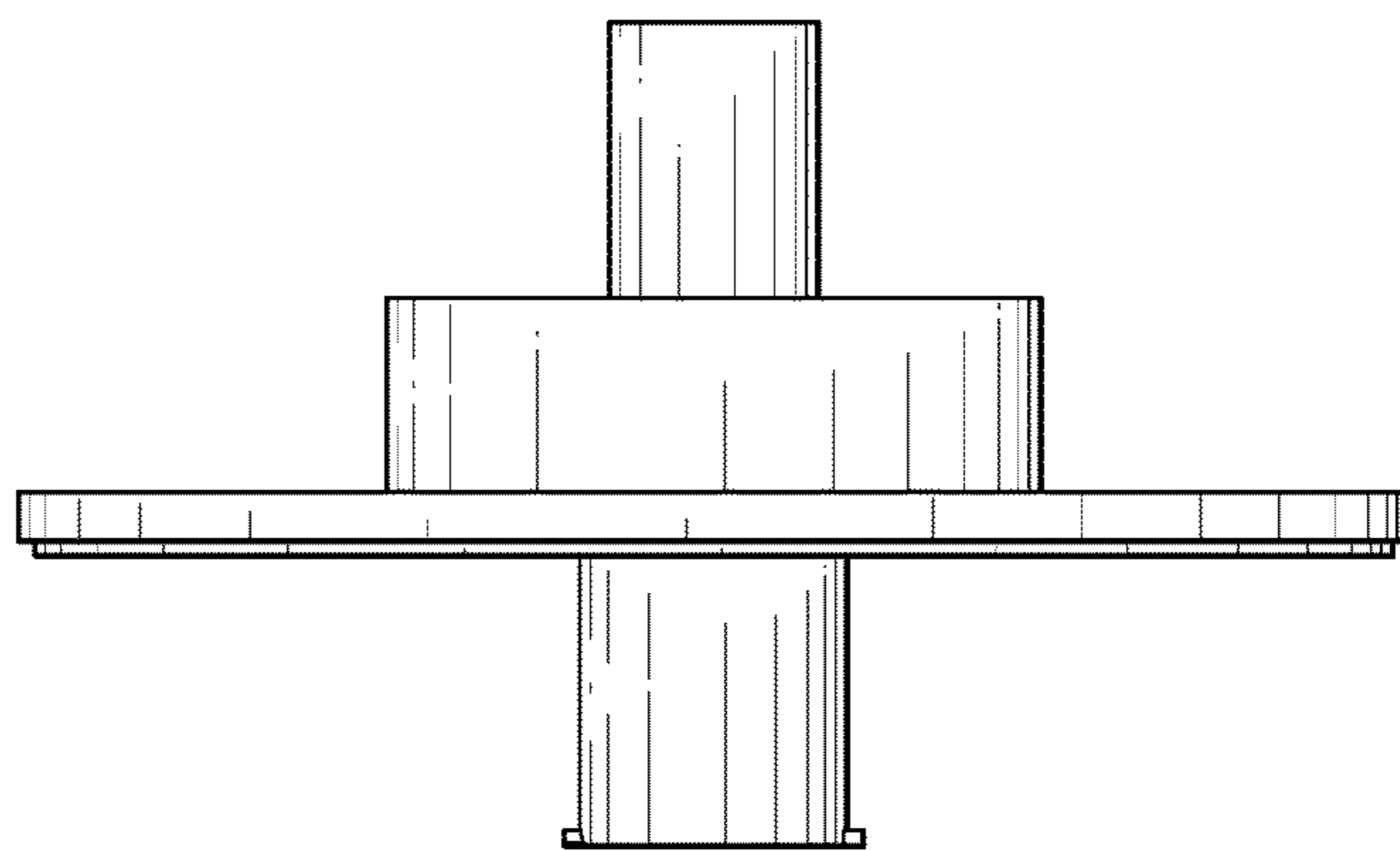


FIG. 2

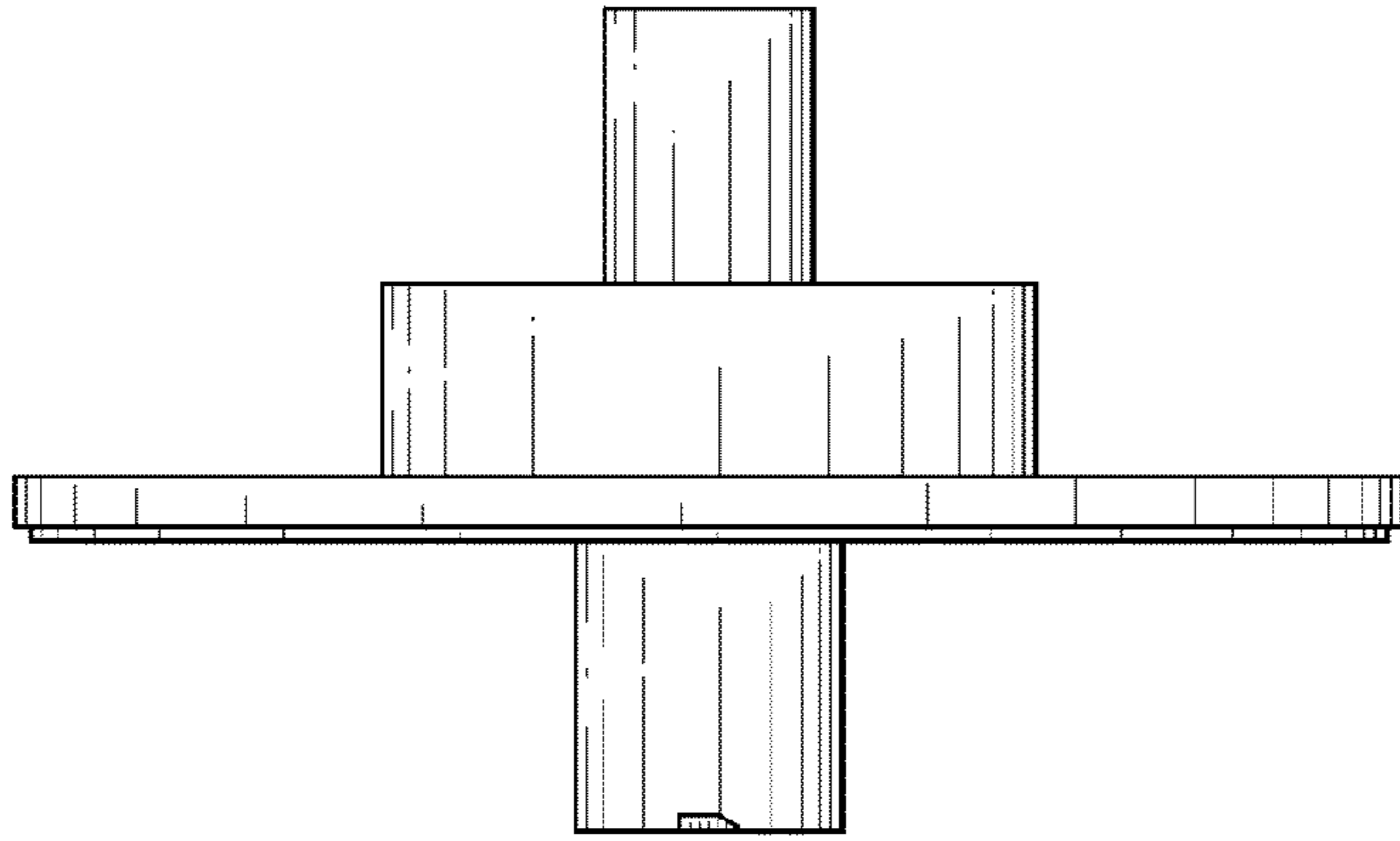


FIG. 3

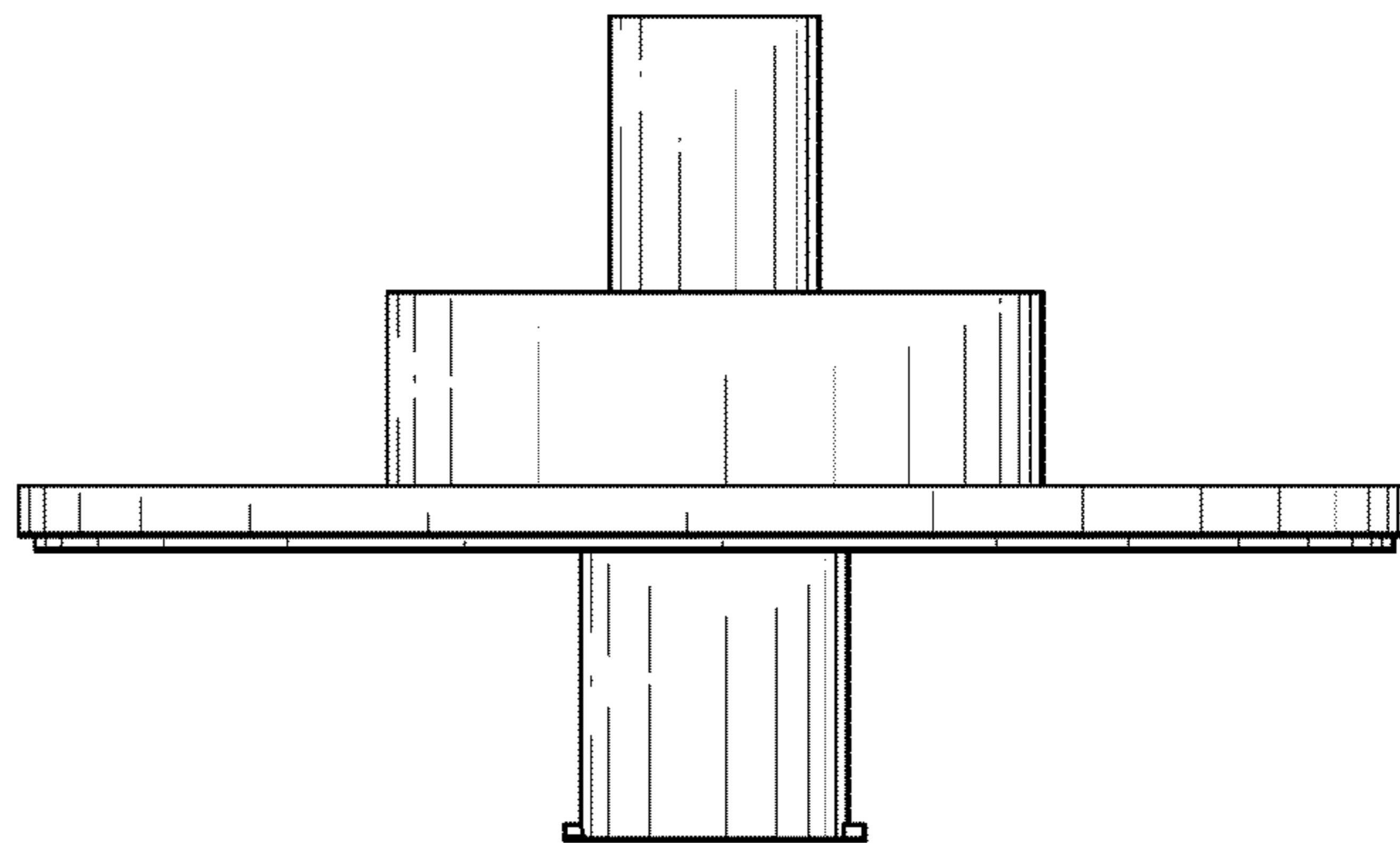


FIG. 4

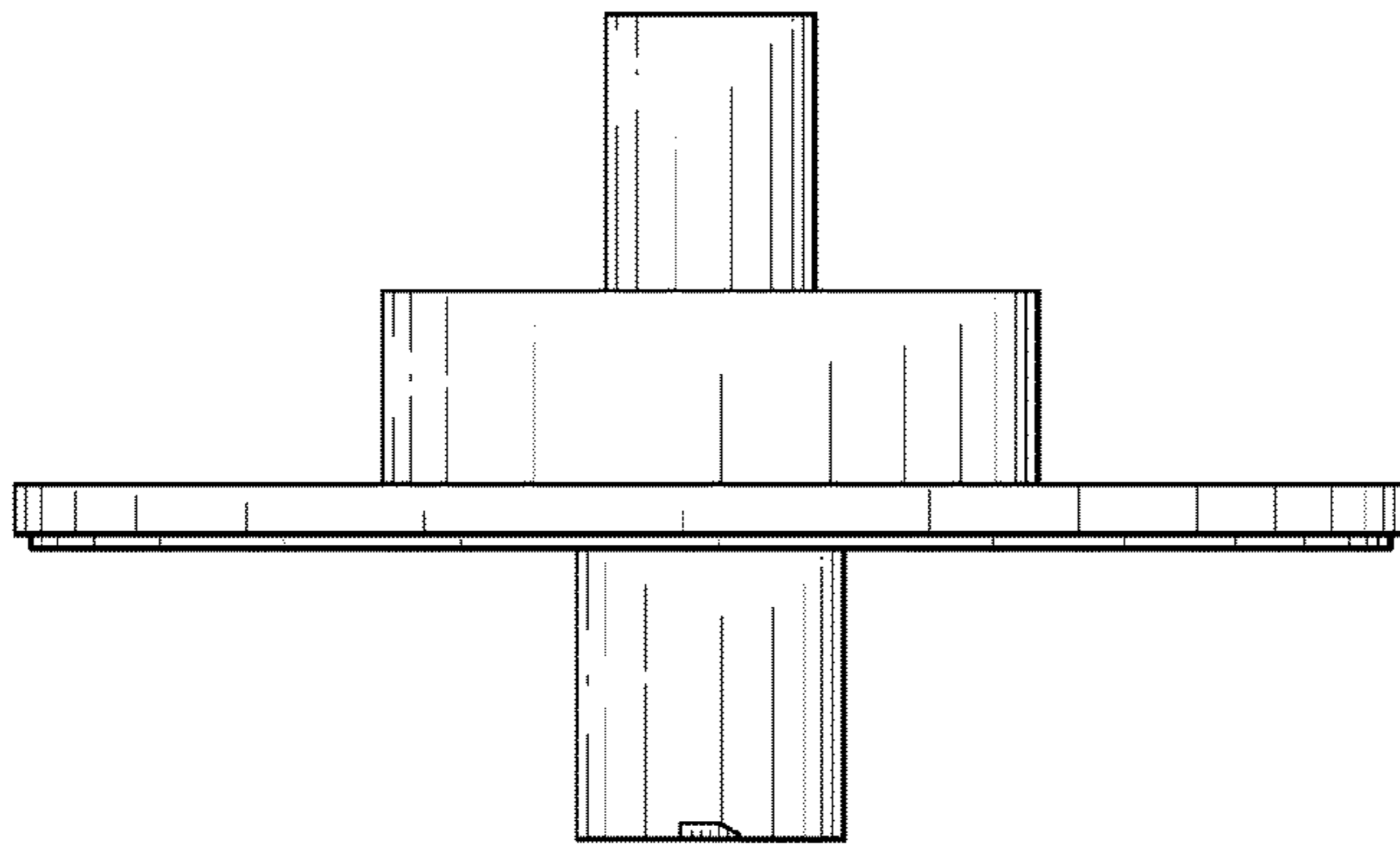


FIG. 5

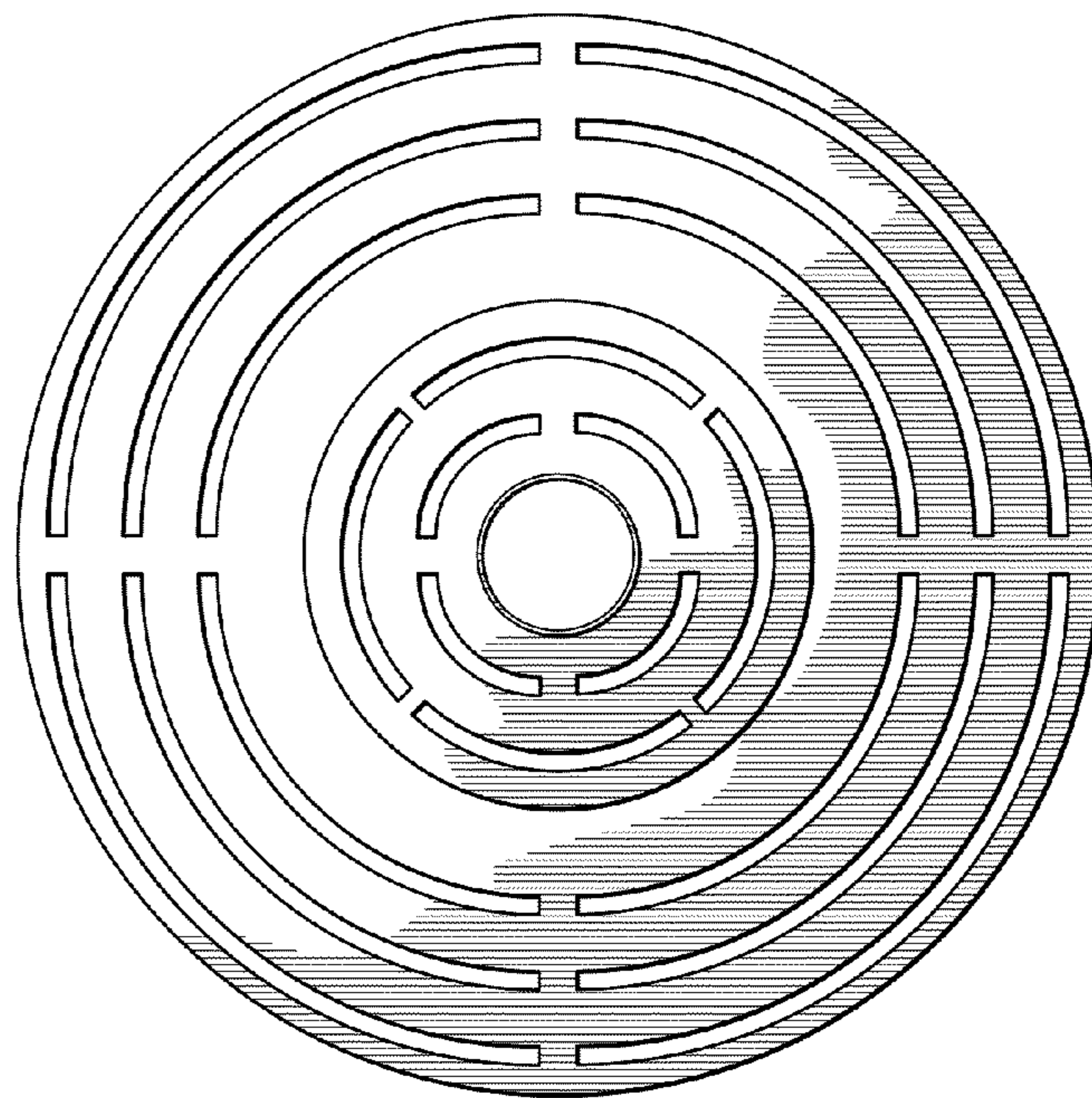


FIG. 6



FIG. 7

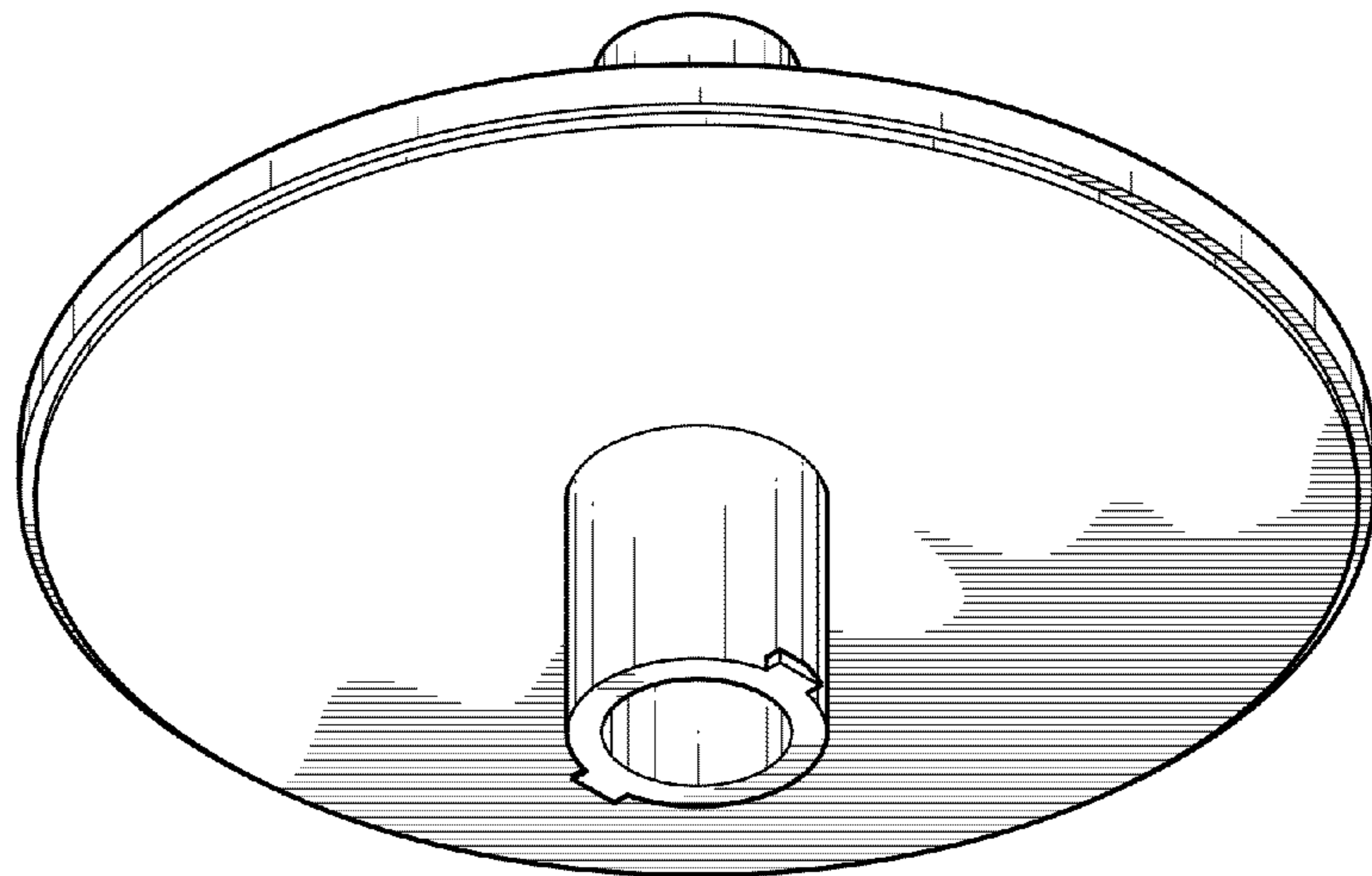


FIG. 8