

US00D693920S

(12) **United States Design Patent**
Miller et al.

(10) **Patent No.:** **US D693,920 S**
(45) **Date of Patent:** **** Nov. 19, 2013**

- (54) **AIRWAY DEVICE**
- (71) Applicants: **Intersurgical AG**, Vaduz (LI);
Muhammad Aslam Nasir, Caddington (GB)
- (72) Inventors: **Andrew Miller**, Berkshire (GB);
Muhammed Aslam Nasir, Bedfordshire (GB)
- (73) Assignees: **Intersurgical AG** (LI); **Muhammed Aslam Nasir** (GB)

3,995,643 A	12/1976	Merav	128/351
4,509,514 A	4/1985	Brain	128/207.15
4,919,126 A	4/1990	Baildon	128/207.14
4,995,388 A	2/1991	Brain	128/207.15
5,054,483 A	10/1991	Marten et al.	128/207.14
5,174,283 A	12/1992	Parker	128/200.26

(Continued)

FOREIGN PATENT DOCUMENTS

AU	B-52036/90	9/1990	A61M 16/04
AU	B-45803/93	2/1994	A61M 16/04

(Continued)

OTHER PUBLICATIONS

Office Action issued in U.S. Appl. No. 29/353,658 dated Aug. 19, 2011 (10 pgs).

(Continued)

- (**) Term: **14 Years**
- (21) Appl. No.: **29/449,900**
- (22) Filed: **Mar. 15, 2013**

Related U.S. Application Data

- (62) Division of application No. 29/407,461, filed on Nov. 29, 2011.

Foreign Application Priority Data

- (30) Jun. 8, 2011 (EP) 001874991-001/003
- (51) **LOC (9) Cl.** **29-02**
- (52) **U.S. Cl.**
USPC **D24/110.5**
- (58) **Field of Classification Search**
USPC D24/110, 110.5; 128/200.26, 207.14,
128/207.15; 604/104
See application file for complete search history.

References Cited

U.S. PATENT DOCUMENTS

2,099,127 A	11/1937	Leech	128/207.15
3,616,799 A	11/1971	Sparks	128/351
3,734,100 A	5/1973	Walker et al.	128/351
3,968,800 A	7/1976	Vilasi	128/343

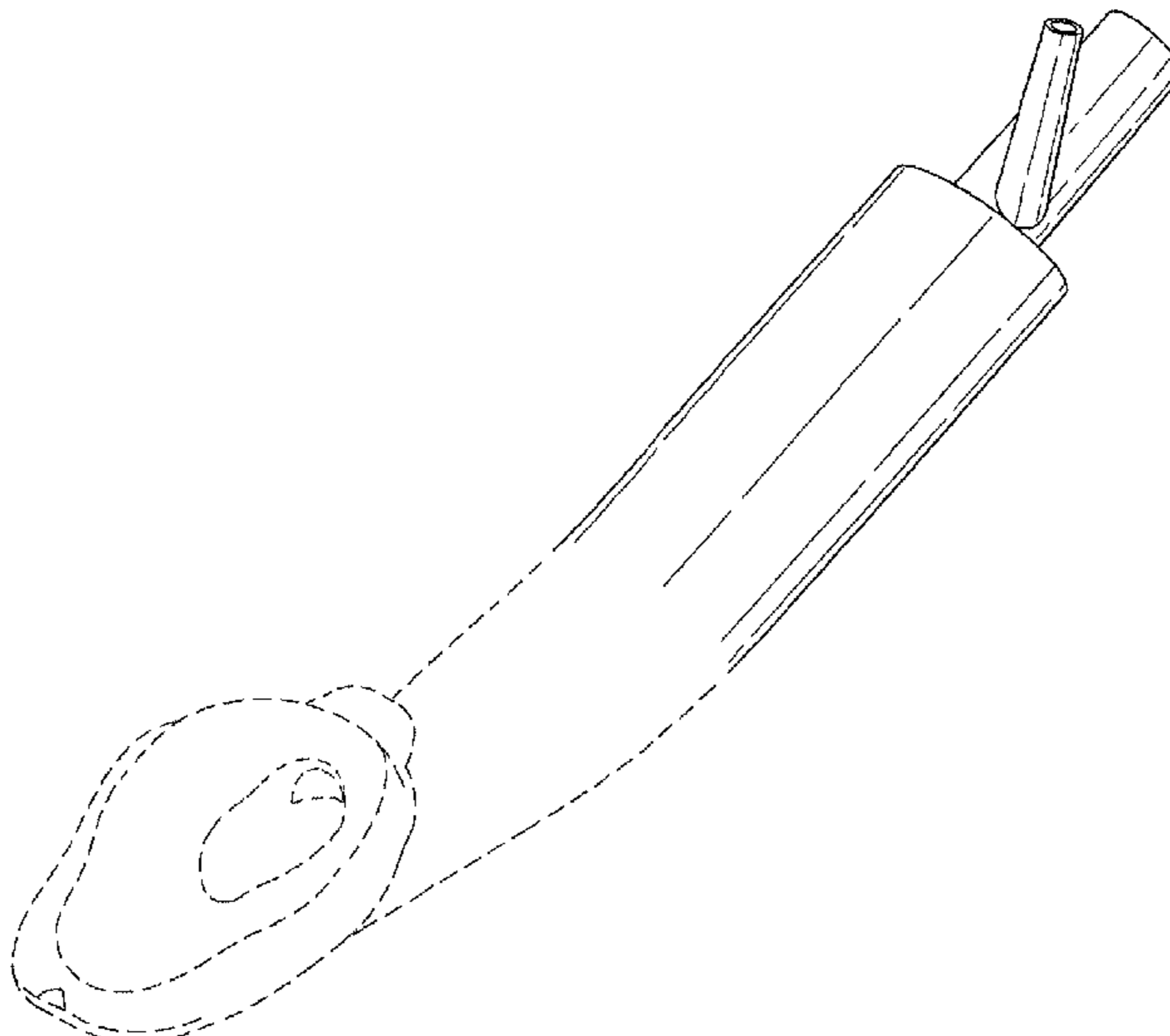
Primary Examiner — Ian Simmons
Assistant Examiner — Richelle Shelton
(74) *Attorney, Agent, or Firm* — Hayes Soloway, P.C.

- (57) **CLAIM**
The ornamental design for a airway device, as shown and described.

DESCRIPTION

FIG. 1 is a front view of the airway device showing our new design;
FIG. 2 is a rear elevation view thereof;
FIG. 3 is a side elevation view thereof;
FIG. 4 is a top plan view thereof;
FIG. 5 is a top perspective view thereof;
FIG. 6 is a bottom perspective view thereof; and,
FIG. 7 is a bottom plan view thereof.
The broken line showing of portions of the article is included for the purpose of illustrating structural environment and forms no part of the claimed design.

1 Claim, 2 Drawing Sheets



(56)

References Cited

U.S. PATENT DOCUMENTS

5,241,956 A 9/1993 Brain 128/207.15
 5,249,571 A 10/1993 Brain 128/207.14
 5,282,464 A 2/1994 Brain 128/207.15
 5,285,778 A 2/1994 Mackin 128/207.15
 5,297,547 A 3/1994 Brain 128/207.15
 5,303,697 A 4/1994 Brain 128/200.26
 5,305,743 A 4/1994 Brain 128/207.15
 5,322,062 A 6/1994 Servas 128/207.14
 5,355,879 A 10/1994 Brain 128/207.15
 5,391,248 A 2/1995 Brain 156/242
 5,477,851 A 12/1995 Callaghan et al. 128/207.15
 5,584,290 A 12/1996 Brain 128/207.15
 5,623,921 A 4/1997 Kinsinger et al. 128/200.26
 5,632,271 A 5/1997 Brain 128/207.15
 5,655,519 A 8/1997 Alfery 128/200.26
 5,682,880 A 11/1997 Brain 128/207.15
 5,711,293 A 1/1998 Brain 128/200.24
 5,791,341 A 8/1998 Bullard 128/207.15
 5,865,176 A 2/1999 O'Neil 128/207.15
 5,878,745 A 3/1999 Brain 128/207.15
 5,881,726 A 3/1999 Neame 128/207.15
 5,896,858 A 4/1999 Brain 128/207.15
 5,915,383 A 6/1999 Pagan 128/207.15
 5,921,988 A 7/1999 Legrand 606/87
 5,937,859 A 8/1999 Augustine et al. 128/207.15
 5,937,860 A 8/1999 Cook 128/207.15
 5,964,217 A 10/1999 Christopher 128/200.26
 5,976,072 A 11/1999 Greenberg 600/120
 5,979,445 A 11/1999 Neame et al. 128/207.15
 5,988,167 A 11/1999 Kamen 128/207.15
 6,003,514 A 12/1999 Pagan 128/207.15
 6,055,984 A 5/2000 Brain 128/207.14
 6,070,581 A 6/2000 Augustine et al. 128/207.15
 6,079,409 A 6/2000 Brain 128/200.26
 D429,811 S 8/2000 Bermudez D24/110.5
 6,095,144 A 8/2000 Pagan 128/207.15
 6,152,136 A 11/2000 Pagan 128/207.15
 6,216,696 B1 4/2001 van den Berg 128/207.14
 6,280,675 B1 8/2001 Legrand 264/262
 6,311,688 B1 11/2001 Augustine et al. 128/200.26
 6,318,367 B1 11/2001 Mongeon 128/207.15
 6,439,232 B1 8/2002 Brain 128/207.15
 6,474,332 B2 11/2002 Arndt 128/200.26
 6,536,437 B1 3/2003 Dragisic 128/207.18
 6,604,525 B2 8/2003 Pagan 128/207.15
 6,631,720 B1 10/2003 Brain 128/207.14
 6,679,263 B2 1/2004 Luchetti et al. 128/207.15
 6,698,430 B2 3/2004 Van Landuyt 128/207.15
 6,705,318 B1 3/2004 Brain 128/207.14
 6,792,948 B2 9/2004 Brain 128/207.14
 6,799,574 B1 10/2004 Collins 128/207.15
 6,877,512 B2 4/2005 Imai et al. 128/207.15
 6,918,388 B2 7/2005 Brain 128/200.26
 6,918,391 B1 7/2005 Moore 128/842
 6,971,382 B1 12/2005 Corso 128/200.26
 7,004,169 B2 2/2006 Brain 128/207.14
 D518,572 S * 4/2006 Nasir D24/110.5
 D518,890 S 4/2006 Nasir D24/110.5
 7,040,312 B2 5/2006 Alfery et al. 128/200.26
 7,047,973 B2 5/2006 Chang 128/207.15
 7,096,868 B2 8/2006 Tateo et al. 128/207.15
 7,134,431 B2 11/2006 Brain 128/200.26
 7,140,368 B1 11/2006 Collins 128/207.14
 7,263,998 B2 9/2007 Miller 128/207.15
 RE39,938 E 12/2007 Brain 128/207.15
 7,305,985 B2 12/2007 Brain 128/200.26
 7,506,648 B2 3/2009 Brain 128/207.15
 D611,138 S 3/2010 Nasir D24/110.5
 D615,188 S 5/2010 Nasir D24/110.5
 D618,788 S 6/2010 Dubach D24/110.5
 7,762,261 B1 7/2010 Fortuna 128/207.14
 7,806,119 B2 10/2010 Nasir 128/205.25
 7,896,007 B2 3/2011 Brain 128/207.15
 8,001,964 B2 8/2011 McDonald et al. 128/200.26
 2001/0015207 A1 8/2001 Pagan 128/207.15

2002/0010417 A1 1/2002 Bertram 604/96.01
 2002/0010617 A1 1/2002 Hamaguchi et al. 705/10
 2002/0078961 A1 6/2002 Collins 128/207.15
 2002/0112728 A1 8/2002 Landuyt 128/207.15
 2002/0170556 A1 11/2002 Gaitini 128/200.14
 2003/0037790 A1 2/2003 Brain 128/207.14
 2003/0066532 A1 4/2003 Gobel 128/207.15
 2003/0101998 A1 6/2003 Zocca et al. 128/207.15
 2003/0136413 A1 7/2003 Brain et al. 128/207.15
 2003/0172925 A1 9/2003 Zocca et al. 128/202.22
 2003/0172933 A1 9/2003 Nimmo 128/207.14
 2004/0020488 A1 2/2004 Kniewasser 128/204.18
 2004/0020491 A1 2/2004 Fortuna 128/207.15
 2005/0051173 A1 3/2005 Brain 128/207.14
 2005/0051175 A1 3/2005 Brain 128/207.14
 2005/0066975 A1 3/2005 Brain 128/207.15
 2005/0081861 A1 4/2005 Nashir 128/207.14
 2005/0103345 A1 5/2005 Brain 128/207.15
 2006/0081245 A1 4/2006 Gould 128/200.26
 2006/0207601 A1 9/2006 Nasir 128/207.14
 2008/0142017 A1 6/2008 Brain 128/207.15
 2008/0308109 A1 12/2008 Brain 128/207.14
 2010/0126512 A1 5/2010 Nasir 128/207.14
 2010/0242957 A1 * 9/2010 Fortuna 128/202.22

FOREIGN PATENT DOCUMENTS

AU 20076743 5/2001 A61M 16/04
 GB 2 323 292 9/1998
 GB 2 465 453 5/2010
 JP 3-236858 10/1991
 JP 6/277286 10/1994
 JP 2007-509154 4/2007
 WO WO 03018094 3/2003 A61M 16/04
 WO WO 2005/041864 5/2005

OTHER PUBLICATIONS

International Search Report and Written Opinion issued in Applicant's corresponding UK Patent Application Serial No. GB0817776.8.
 International Search Report and Written Opinion issued in corresponding application No. PCT/GB2011/051203, dated Jul. 12, 2011 (14 pgs).
 UK Search Report issued in corresponding application No. GB1110775.2, dated Oct. 18, 2011 (8 pgs).
 US Official Action dated Feb. 14, 2013, issued in U.S. Appl. No. 29/407,461 (21 pgs).
 International Search Report and Written Opinion issued in corresponding application No. PCT/GB2011/051203, dated Dec. 7, 2011 (15 pgs).
 Combined Search and Examination Report issued in corresponding application No. GB1110775.2, dated Oct. 18, 2011 (8 pgs).
 Combined Search and Examination Report issued in corresponding application No. GB0718849.3, dated Oct. 29, 2007 (4 pgs).
 Combined Search and Examination Report issued in corresponding application No. GB0502519.2, dated Sep. 13, 2005 (6 pgs).
 Extended European Search Report and Written Opinion issued in corresponding EPO application No. 07019251.3, dated Feb. 1, 2008 (8 pgs).
 First Office Action issued in corresponding Chinese application No. 200480023382.4, dated Aug. 22, 2008 (15 pgs).
 International Search Report and Written Opinion issued in corresponding PCT application No. PCT/GB2009/051574, dated Jun. 7, 2010 (28 pgs).
 Combined Search and Examination Report issued in corresponding application No. GB1019839.8, dated Dec. 1, 2010 (2 pgs).
 Combined Search and Examination Report issued in corresponding application No. GB 0418050.1, dated Nov. 29, 2004 (7 pgs).
 Examination Report issued in corresponding application No. 09 756 353.0-1257, dated Aug. 17, 2012 (5 pgs).
 Further examination as result of telephone conversation with examiner issued in corresponding EPO application No. 03 787 902.0 (1 pg).

(56)

References Cited

OTHER PUBLICATIONS

Letter from IP Australia regarding third party application for re-examination dated Sep. 21, 2011 involving corresponding application No. 2008207412 (2 pgs).

Invitation to Pay Additional Fees with International Search Report issued in corresponding application No. PCT/GB2004/003481, dated Nov. 12, 2004 (8 pgs).

Notice for Reasons for Rejection issued in corresponding Japanese application No. 2006/523053, dated Nov. 8, 2010, with English translation (4 pgs).

International Search Authority issued in corresponding PCT application PCT/GB03/03577 dated, Dec. 9, 2003 (5 pgs).

International Search Report issued in corresponding PCT application PCT/GB03/03577 dated Aug. 14, 2003 (9 pgs).

Office Action issued in related U.S. Appl. No. 13/403,806, dated Apr. 25, 2013 (6 pgs).

Notice of Allowance issued in related U.S. Appl. No. 29/407,461, dated Jun. 12, 2013 (26 pgs).

* cited by examiner

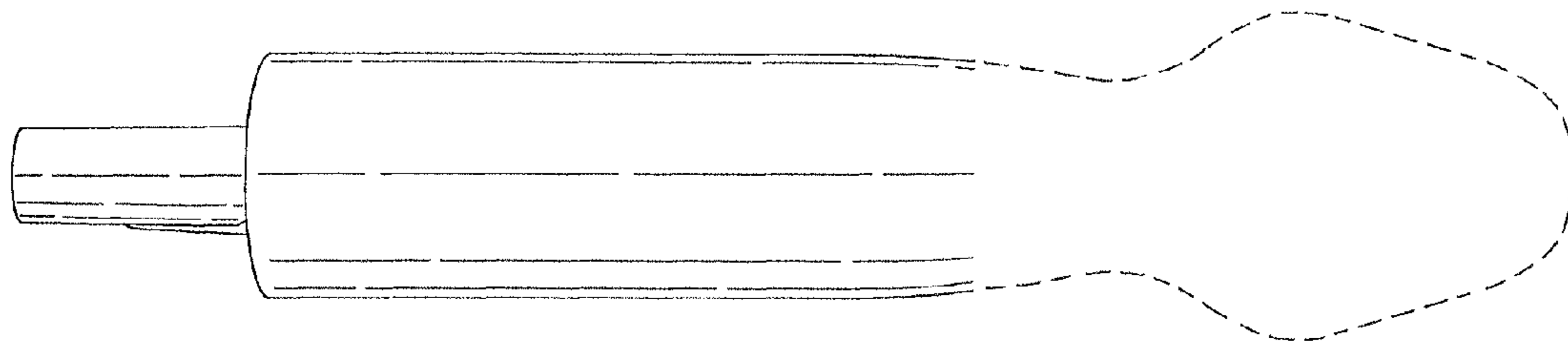


FIG. 4

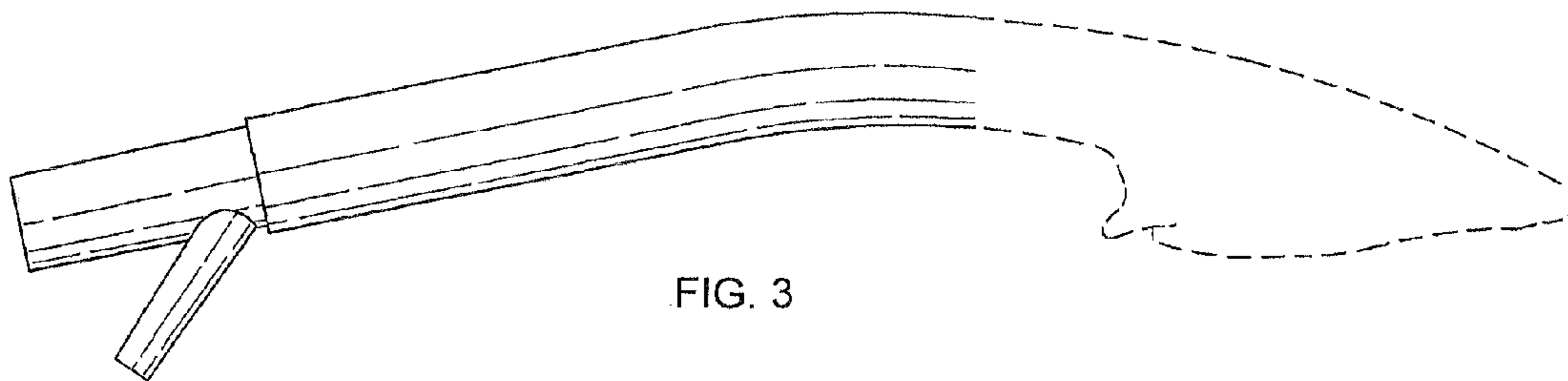


FIG. 3

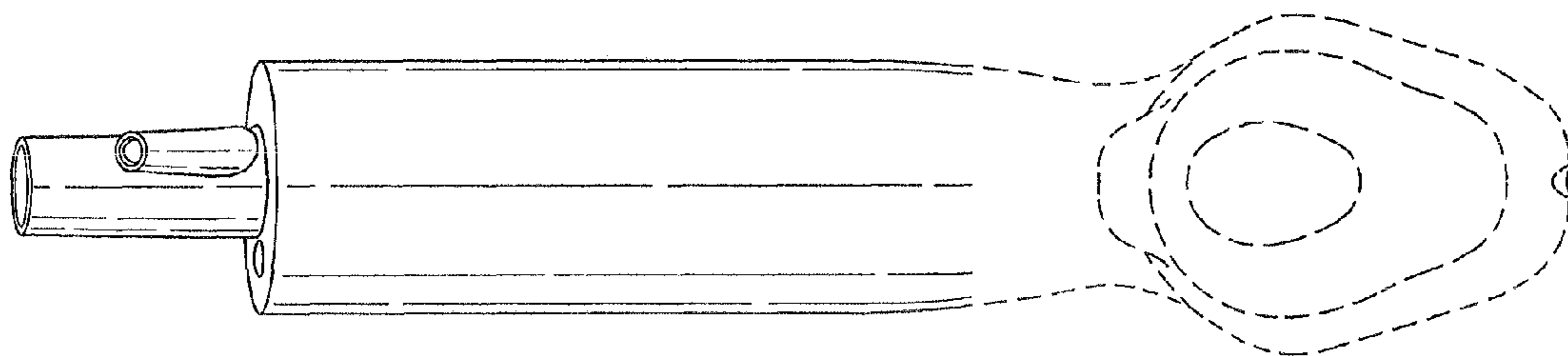


FIG. 7

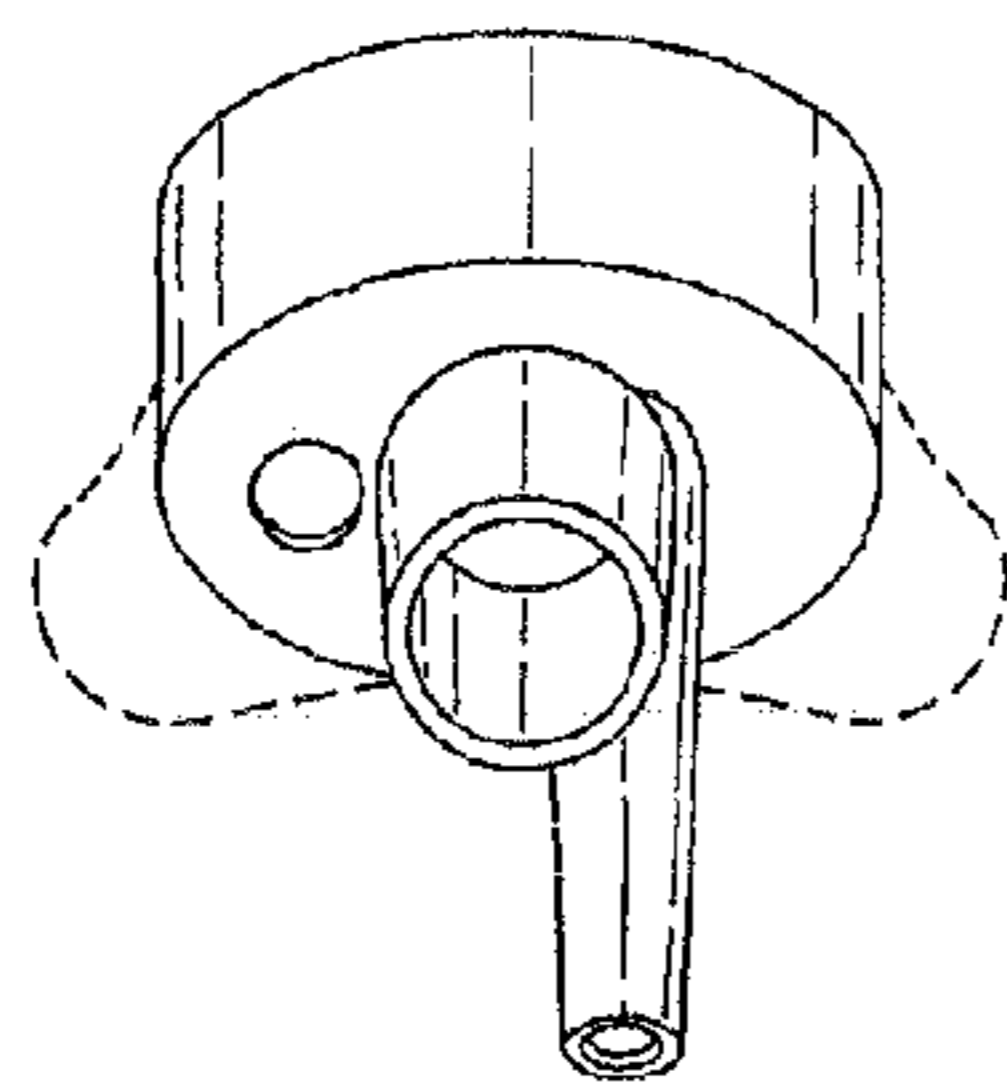


FIG. 2

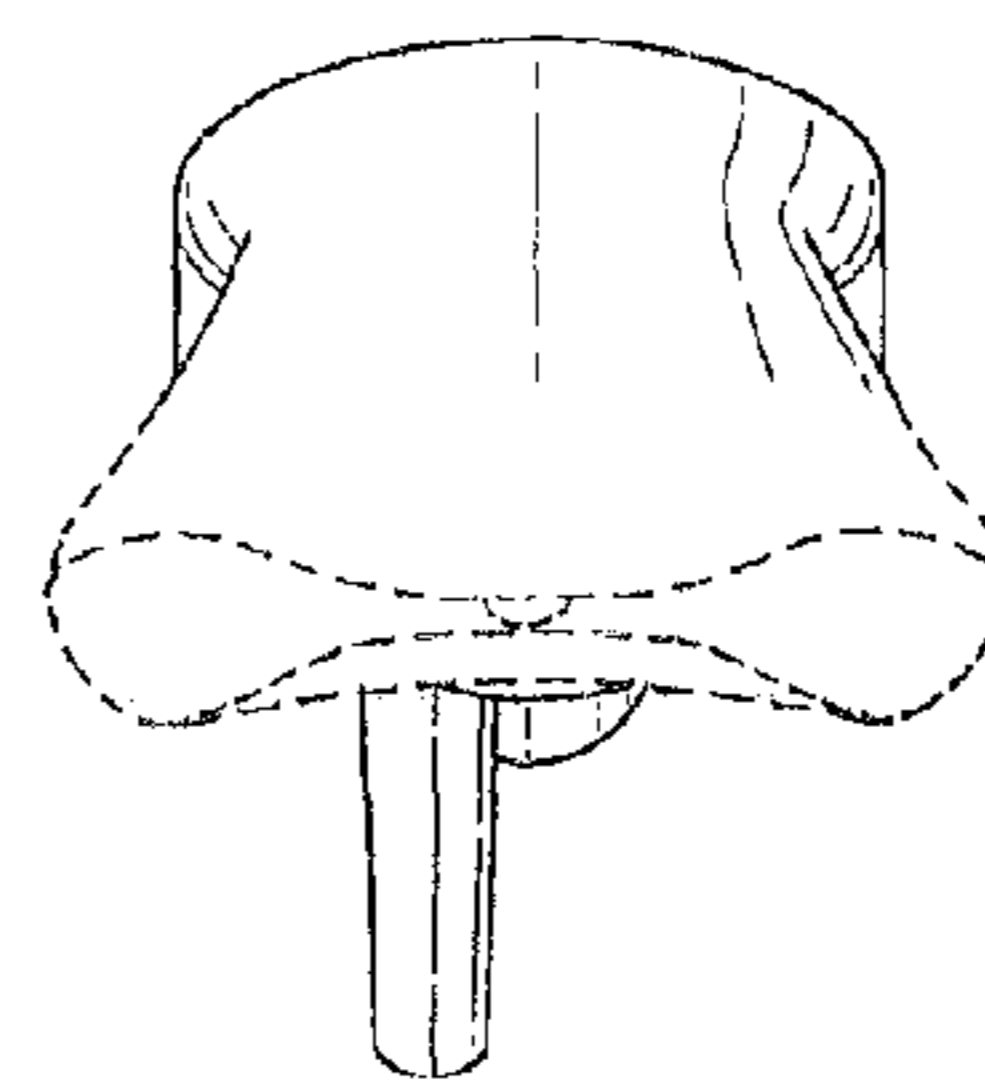


FIG. 1

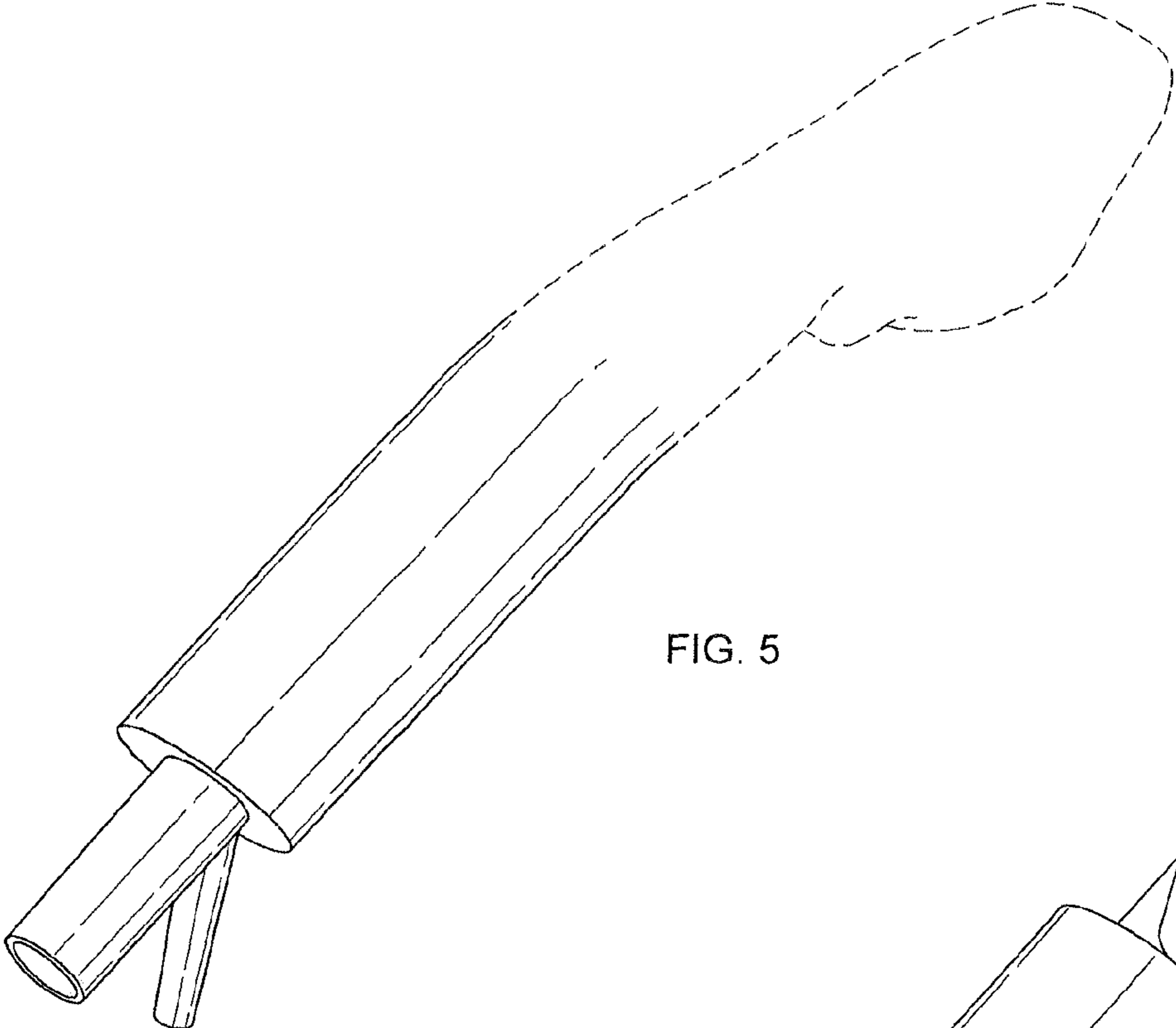


FIG. 5

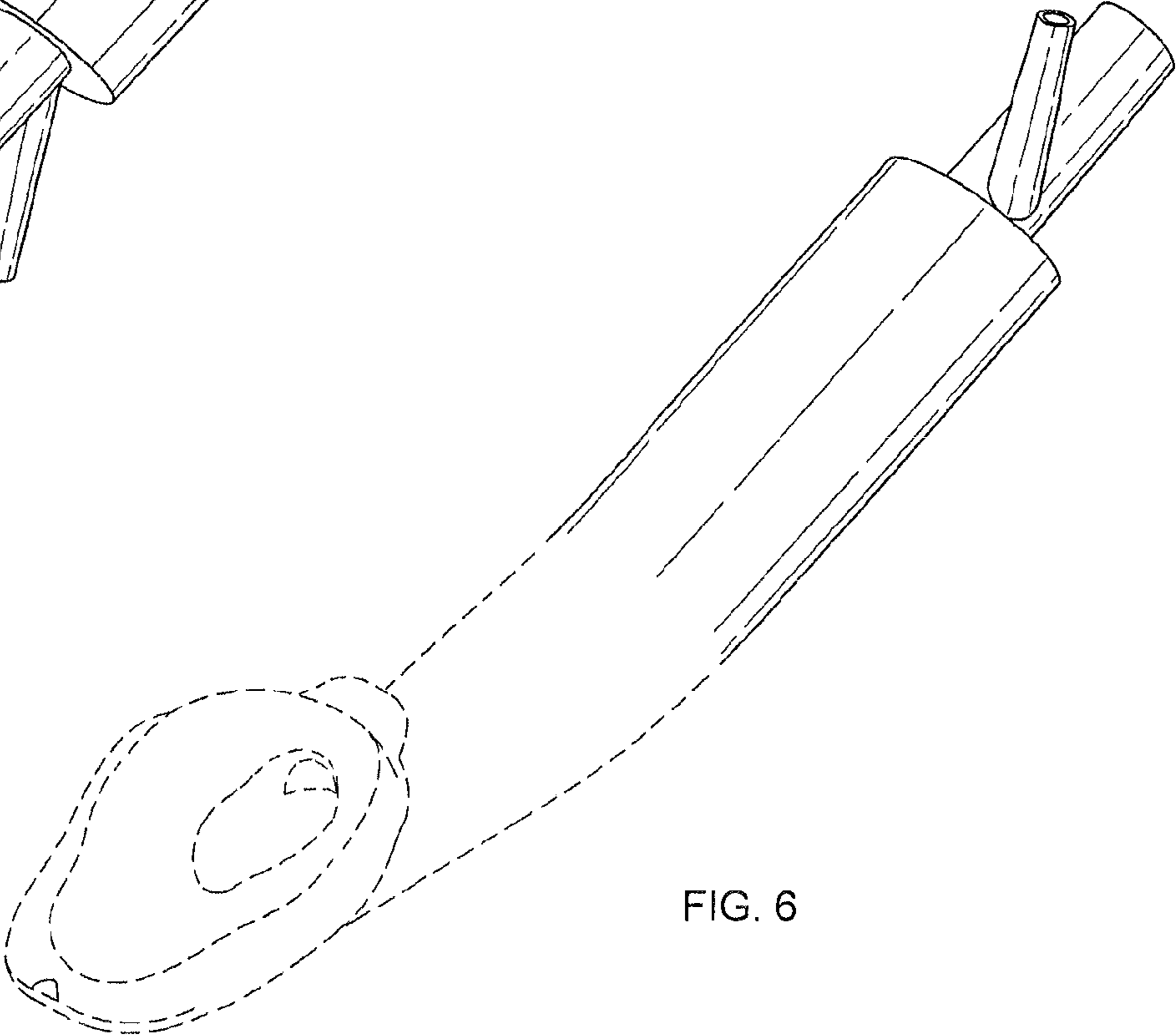


FIG. 6