



US00D693915S

(12) **United States Design Patent**
Bisla et al.

(10) **Patent No.:** **US D693,915 S**

(45) **Date of Patent:** **** Nov. 19, 2013**

(54) **NOVELTY SPORTS FAN**

(75) Inventors: **Jagdip S. Bisla**, Fresno, CA (US);
Robby Chima, Fresno, CA (US)

(73) Assignee: **Jagdip S. Bisla**, Fresno, CA (US)

(**) Term: **14 Years**

(21) Appl. No.: **29/416,828**

(22) Filed: **Mar. 27, 2012**

(51) **LOC (9) Cl.** **23-04**

(52) **U.S. Cl.**
USPC **D23/370**; D23/381

(58) **Field of Classification Search**
USPC D23/314, 332, 342, 355, 370, 381, 386,
D23/411, 412, 413, 414, 378, 382; D26/32,
D26/57, 59, 73, 94, 125, 145, 146, 147,
D26/156; D21/710, 712, 713; 415/90,
415/121.2, 181, 182.1, 208.2, 209.2, 211.2;
416/110, 206, 240, 244 R, 246, 247 R
See application file for complete search history.

(56) **References Cited**

U.S. PATENT DOCUMENTS

3,624,939	A	*	12/1971	Gossard	40/721
4,164,284	A	*	8/1979	Witt et al.	206/217
D292,823	S	*	11/1987	St. Clair	D23/382
D320,476	S	*	10/1991	Mele	D29/103
D341,878	S	*	11/1993	Cich, Jr.	D23/335
D373,185	S	*	8/1996	Tseng	D23/377
D376,641	S	*	12/1996	Bucher	D23/377
D379,222	S	*	5/1997	Kuo	D23/411
D382,953	S	*	8/1997	Kuo	D23/377
D390,649	S	*	2/1998	Pearce et al.	D23/377
D398,386	S	*	9/1998	Chan	D23/324
D400,668	S	*	11/1998	Bloom	D23/379
D417,496	S	*	12/1999	Chang et al.	D23/377
D420,733	S	*	2/2000	Chen	D23/377

D421,762	S	*	3/2000	Shirley et al.	D16/227
D428,133	S	*	7/2000	Chen	D23/411
D428,649	S	*	7/2000	Chen	D23/411
D456,885	S	*	5/2002	Schmitt	D23/328
D463,542	S	*	9/2002	Marchiano et al.	D23/382
D465,840	S	*	11/2002	Marchiano et al.	D23/382
D482,437	S	*	11/2003	Marchiano et al.	D23/382
D561,852	S	*	2/2008	Frey	D21/710

* cited by examiner

Primary Examiner — Caron D Veynar

Assistant Examiner — Martie K Holtje

(74) *Attorney, Agent, or Firm* — Blue Capital Law Firm, P.C.

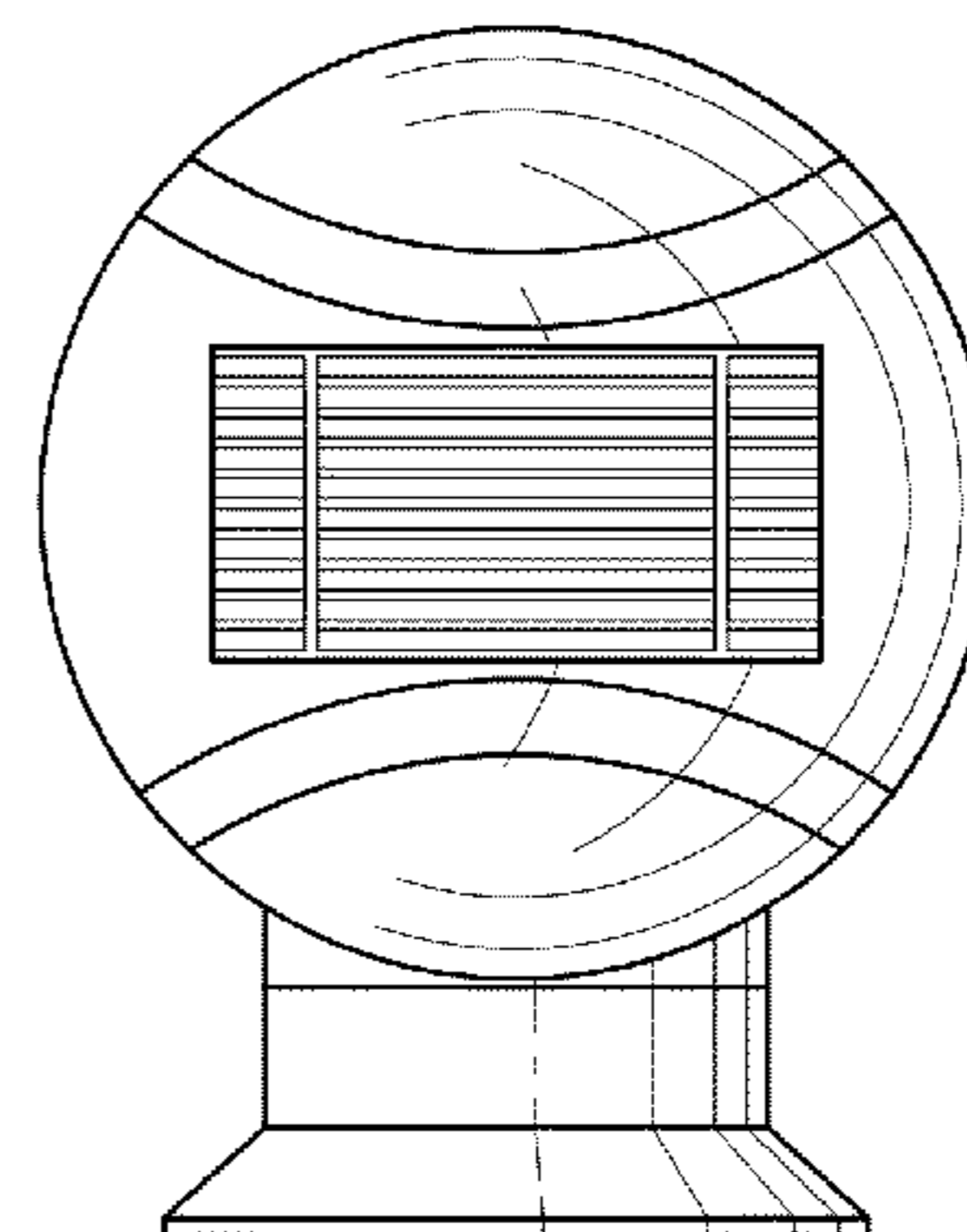
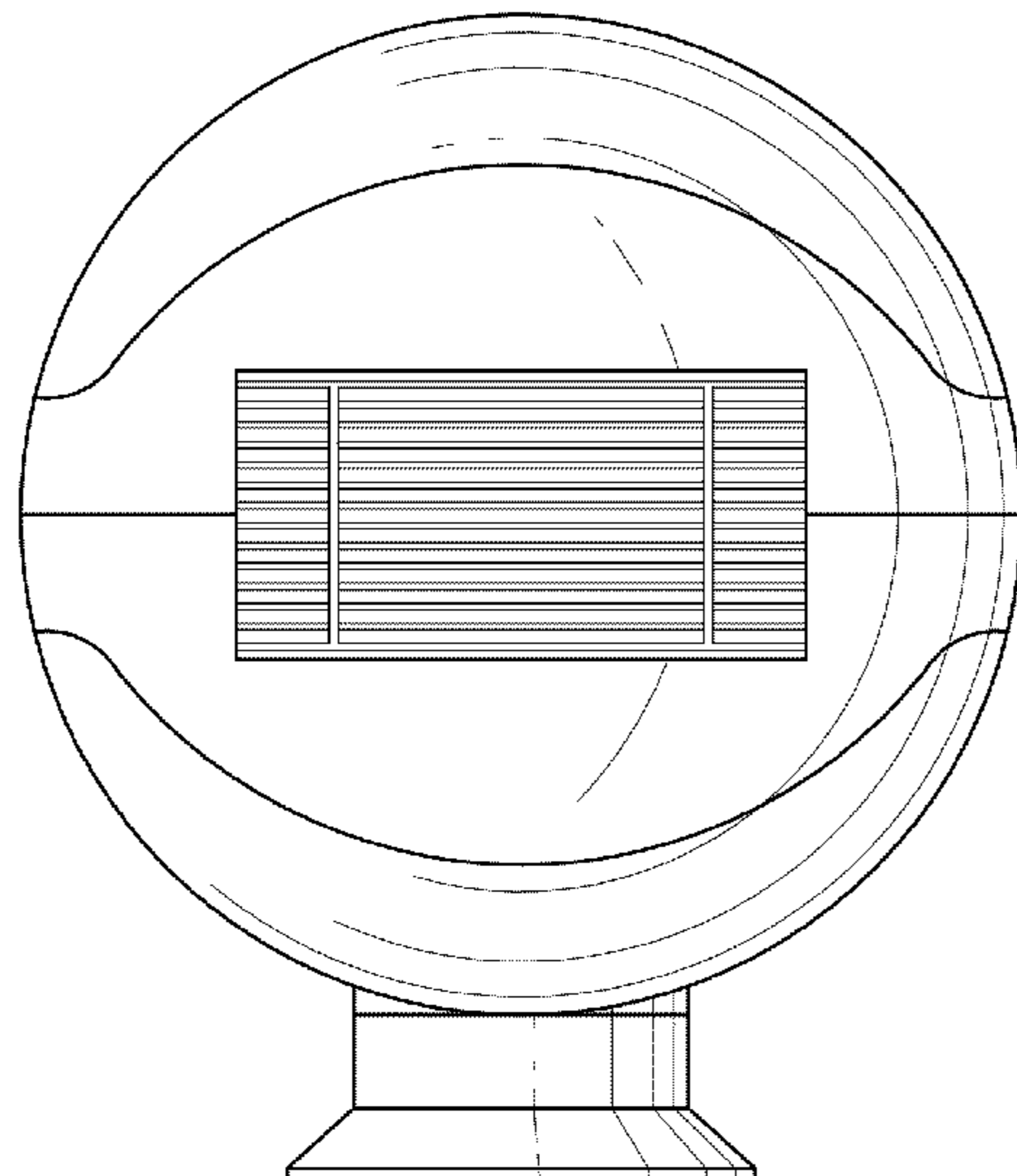
(57) **CLAIM**

The ornamental design for a novelty sports fan, as shown and described.

DESCRIPTION

FIG. 1 is a left front perspective view of a novelty sports fan showing our new design;
 FIG. 2 is a left side elevational view thereof;
 FIG. 3 is a front elevational view thereof;
 FIG. 4 is a rear elevational view thereof;
 FIG. 5 is a left front perspective view of a second embodiment of our design of FIG. 1;
 FIG. 6 is a left side elevational view of FIG. 5;
 FIG. 7 is a front elevational view of FIG. 5; and
 FIG. 8 is a rear elevational view of FIG. 5;
 FIG. 9 is a left front perspective view of a third embodiment of our design of FIG. 1;
 FIG. 10 is a left side elevational view of FIG. 9;
 FIG. 11 is a front elevational view of FIG. 9; and,
 FIG. 12 is a rear elevational view of FIG. 9.
 The broken line showing of structural elements is included for the purpose of illustrating portions of the novelty sports fan that form no part of the claimed design.

1 Claim, 5 Drawing Sheets



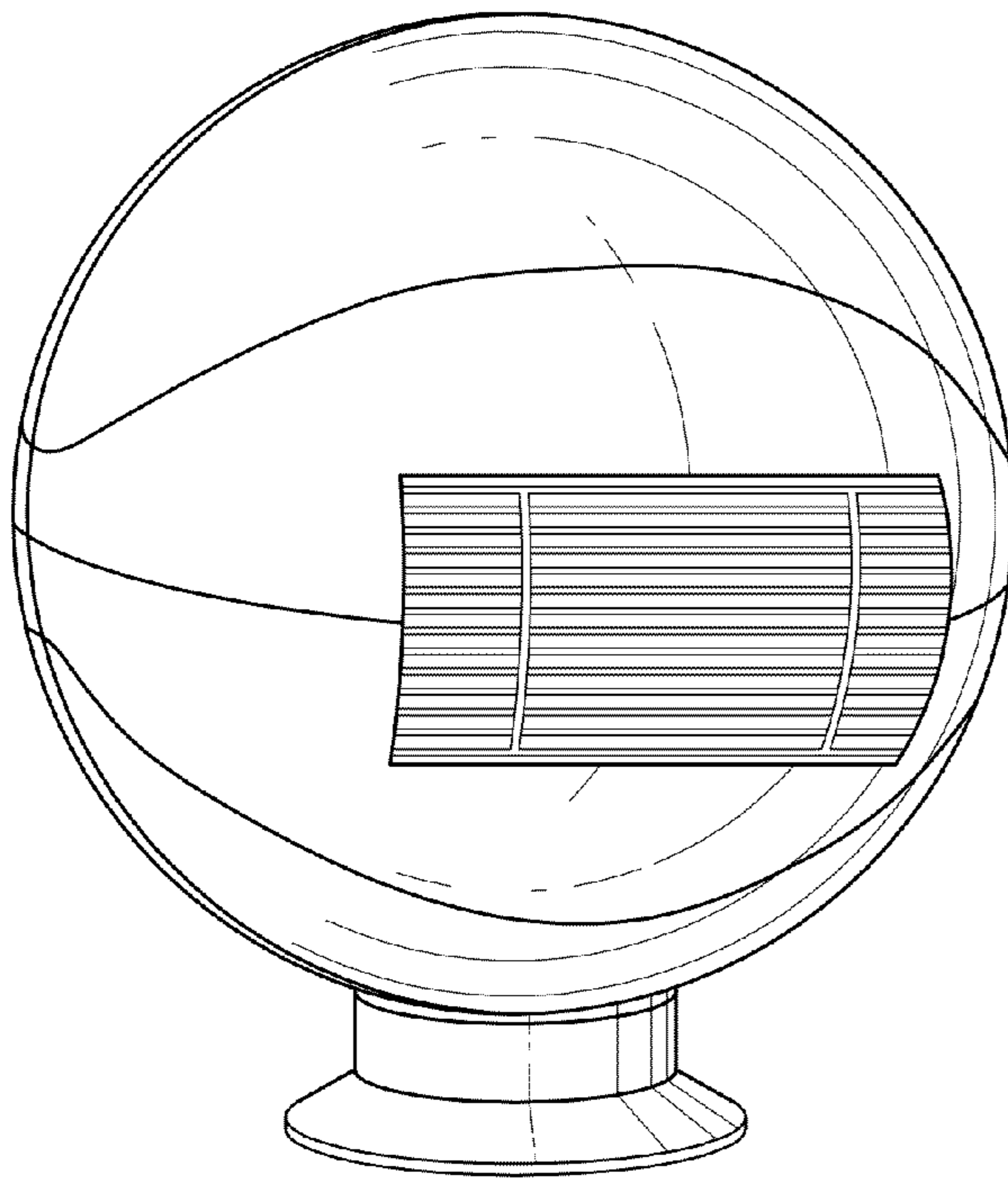


FIG. 1

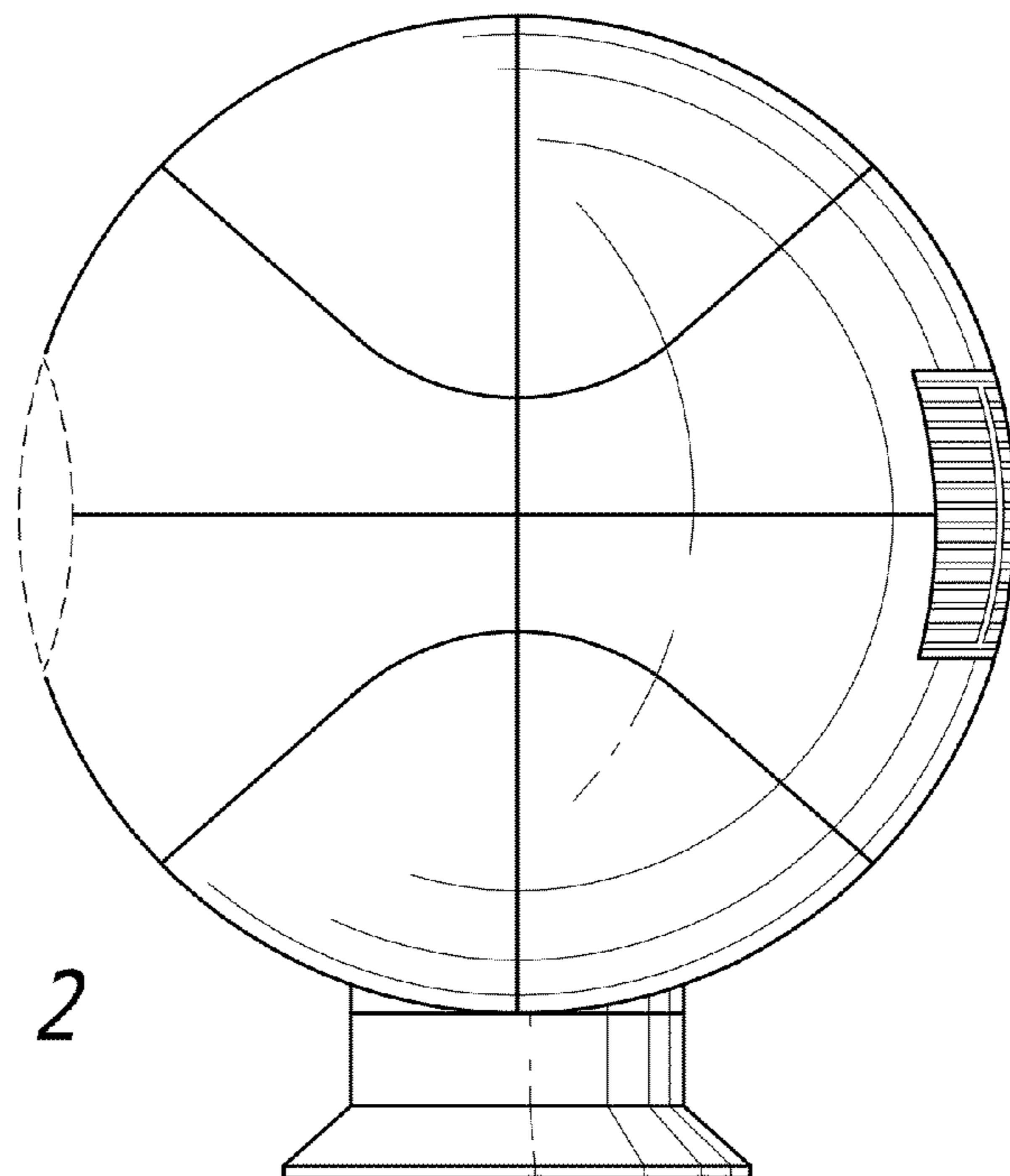


FIG. 2

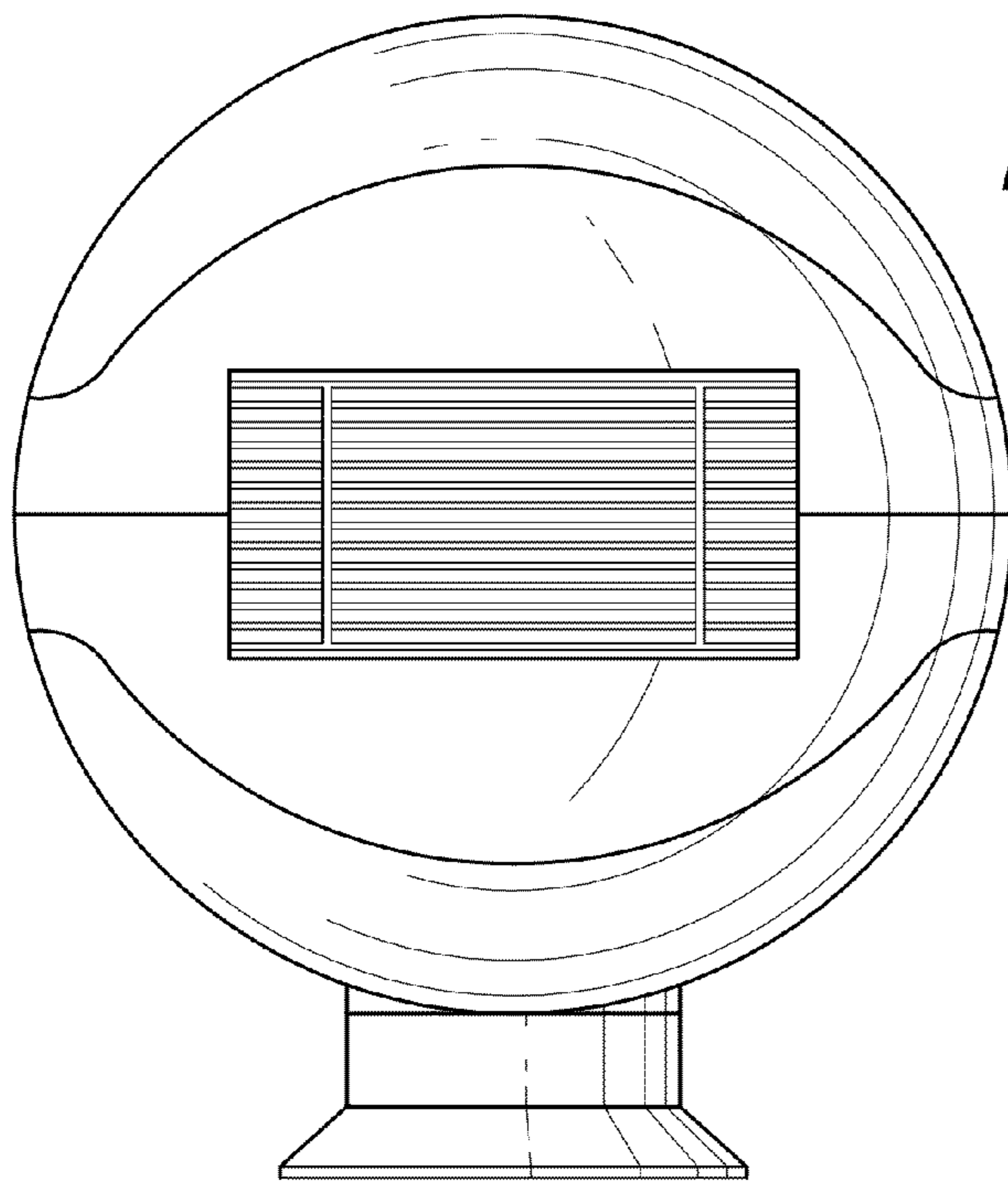


FIG. 3

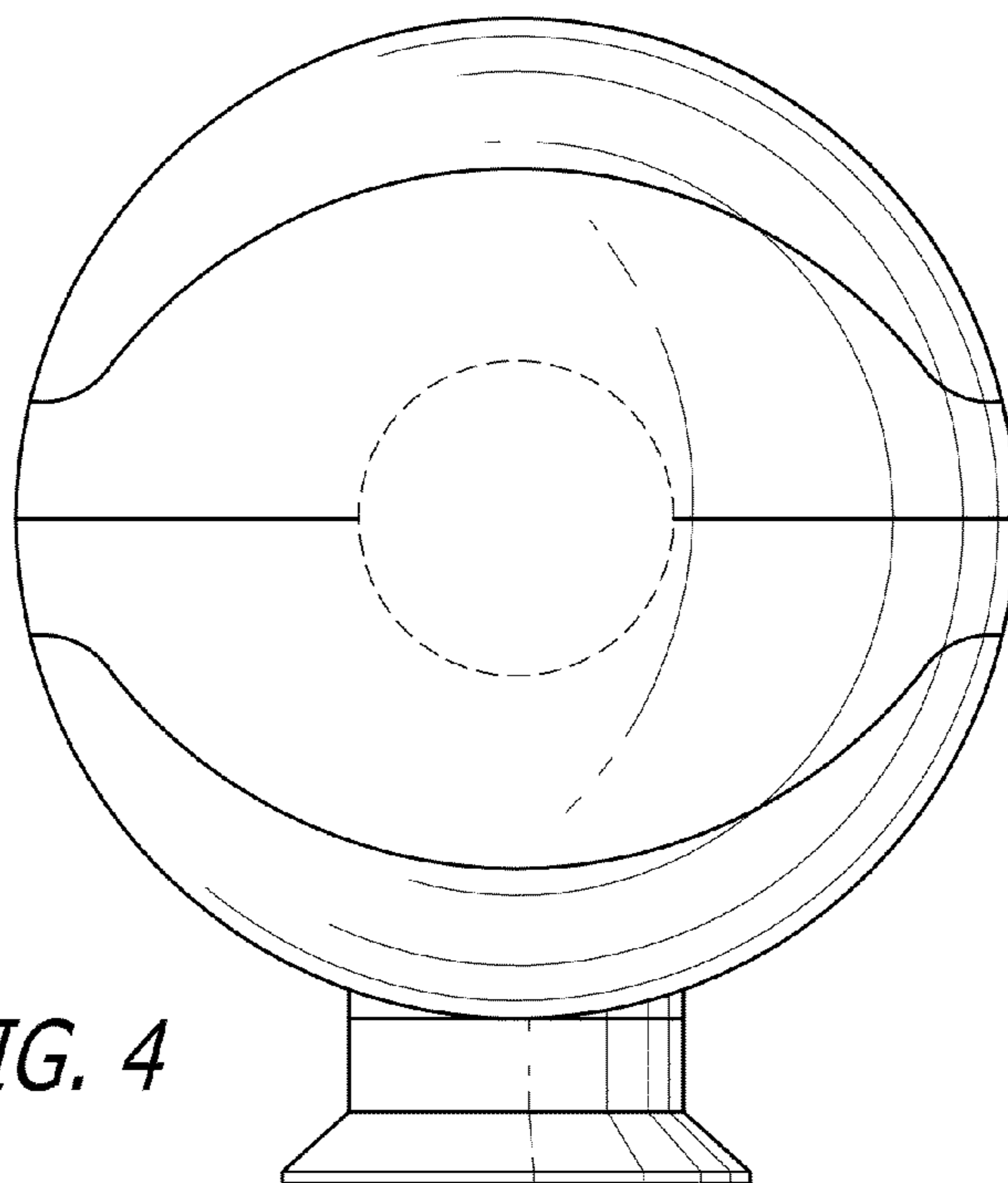


FIG. 4

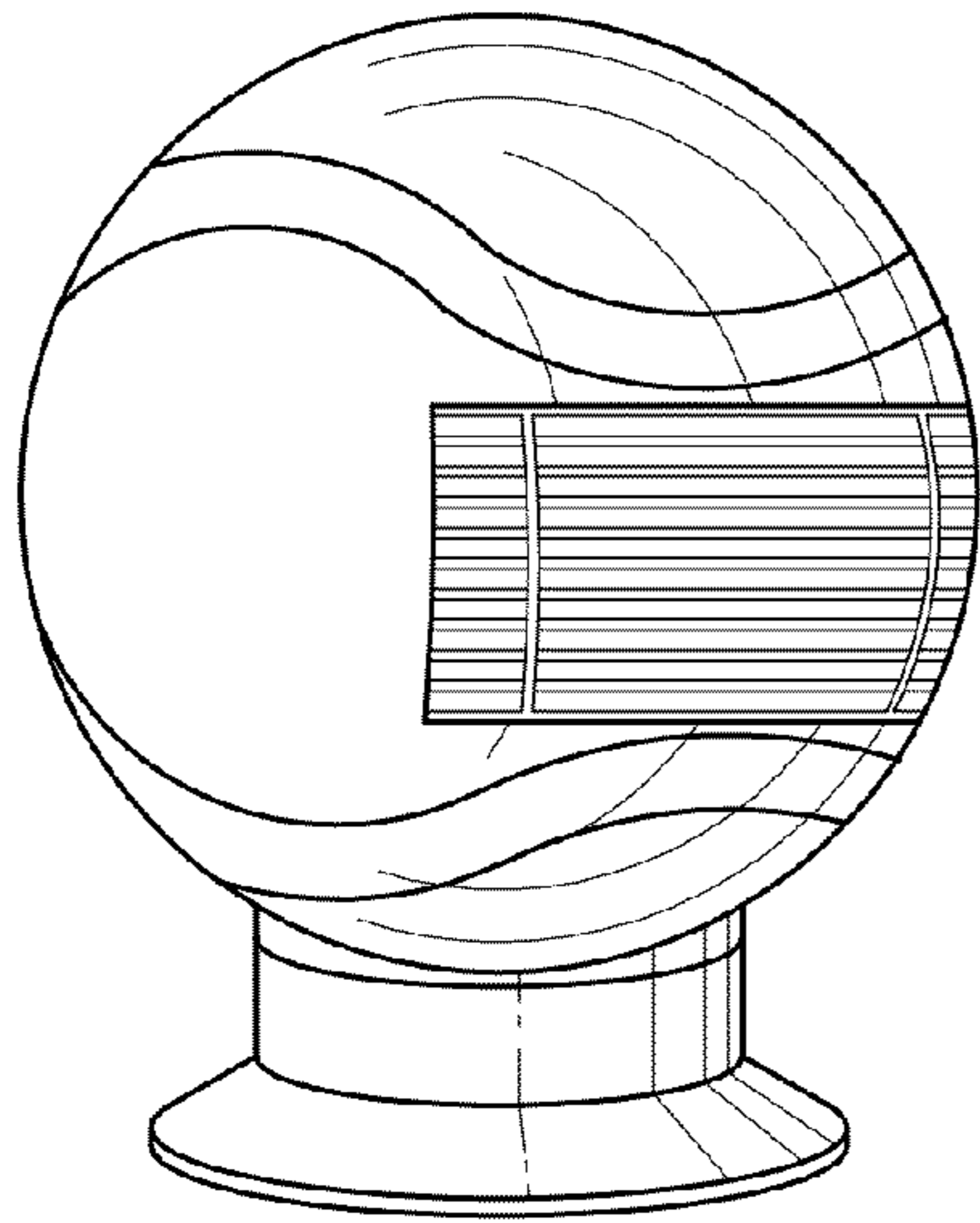


FIG. 5

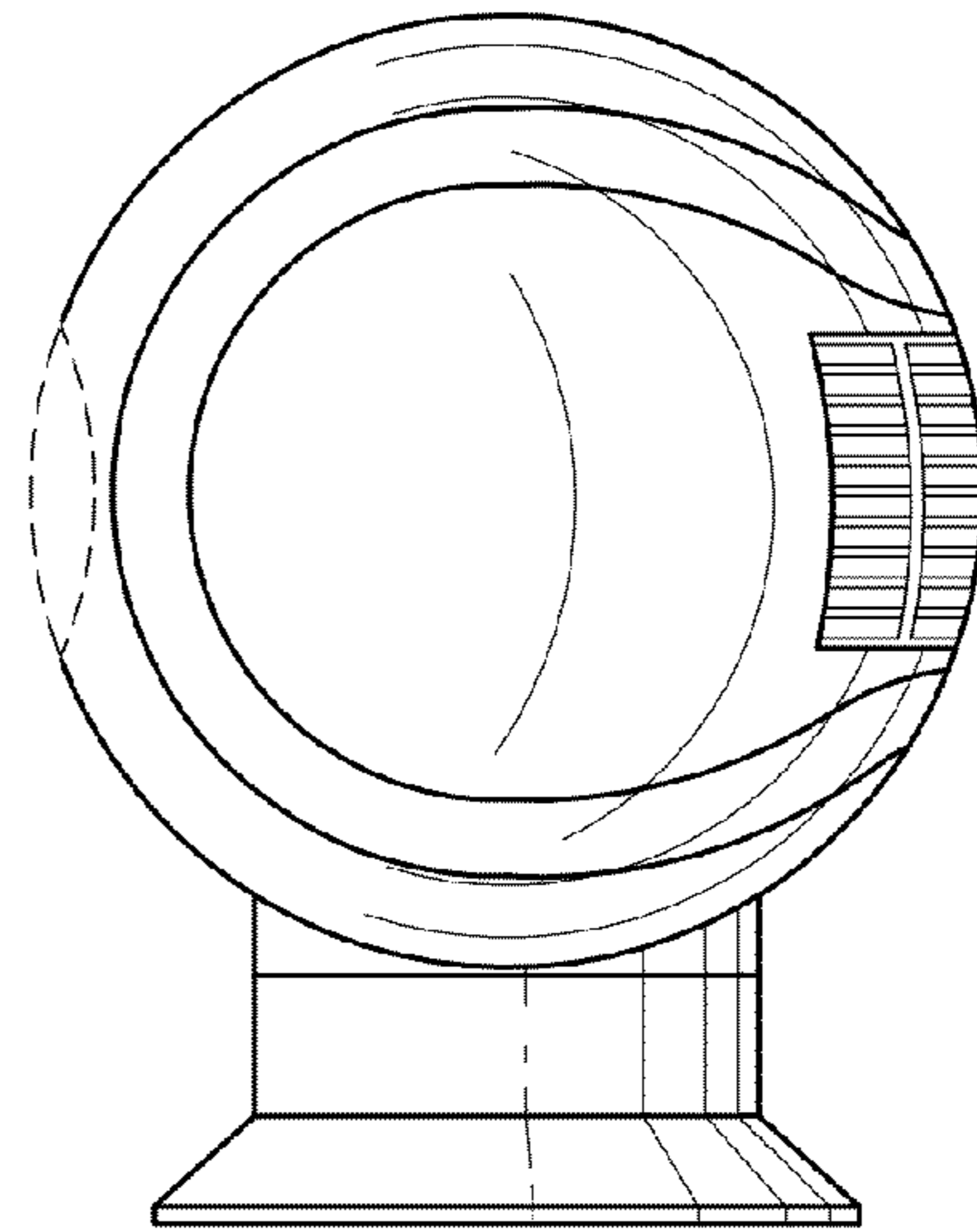


FIG. 6

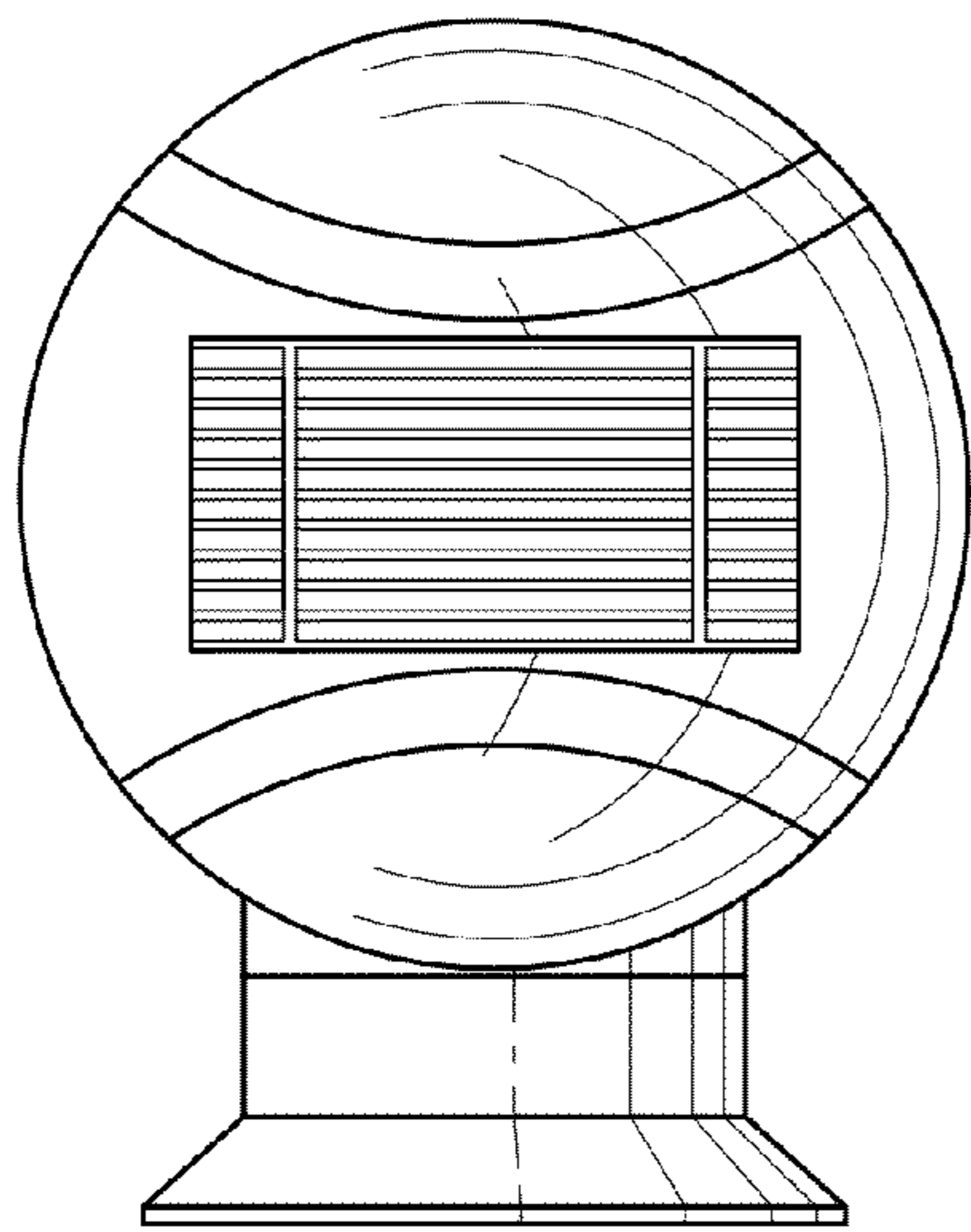


FIG. 7

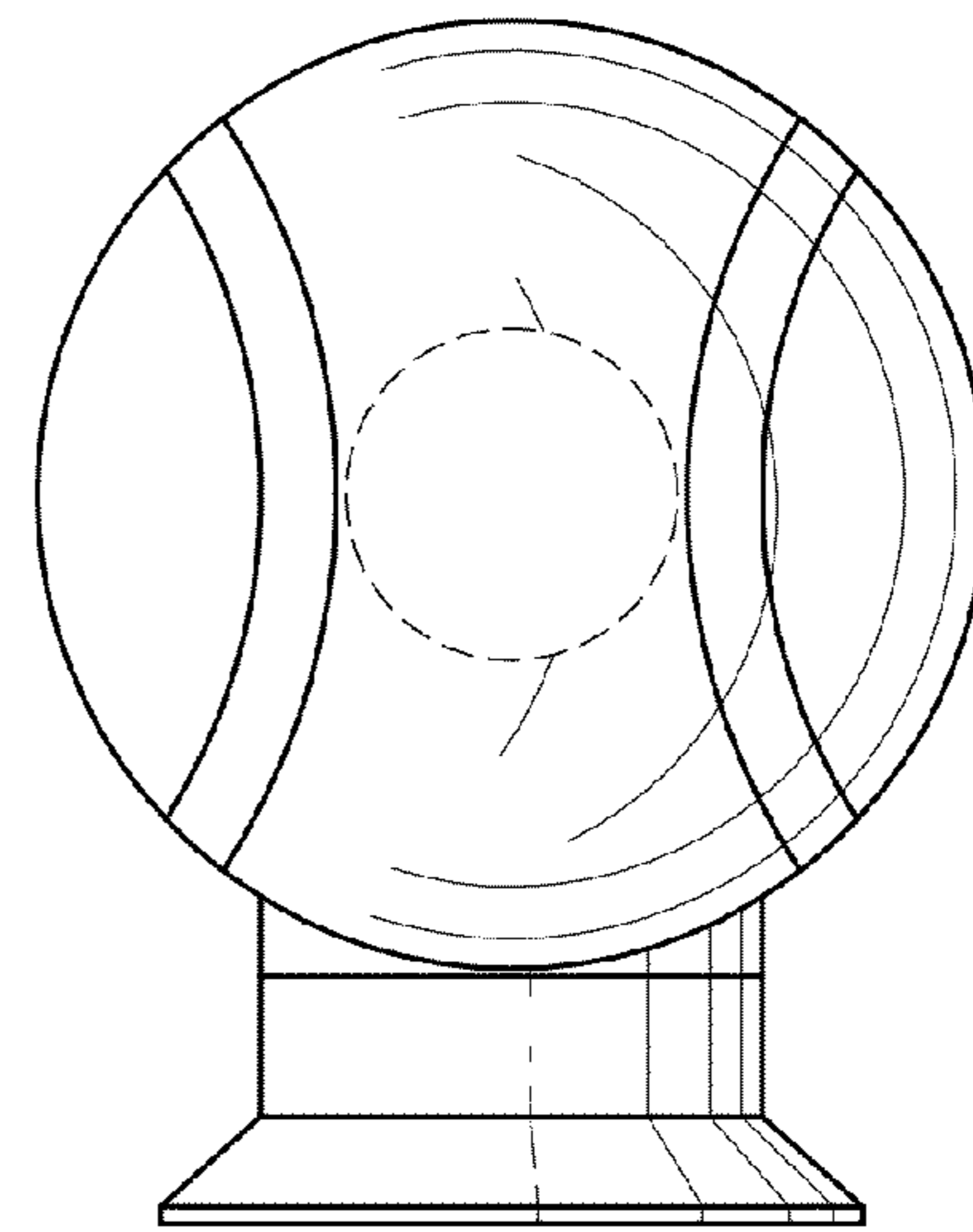


FIG. 8

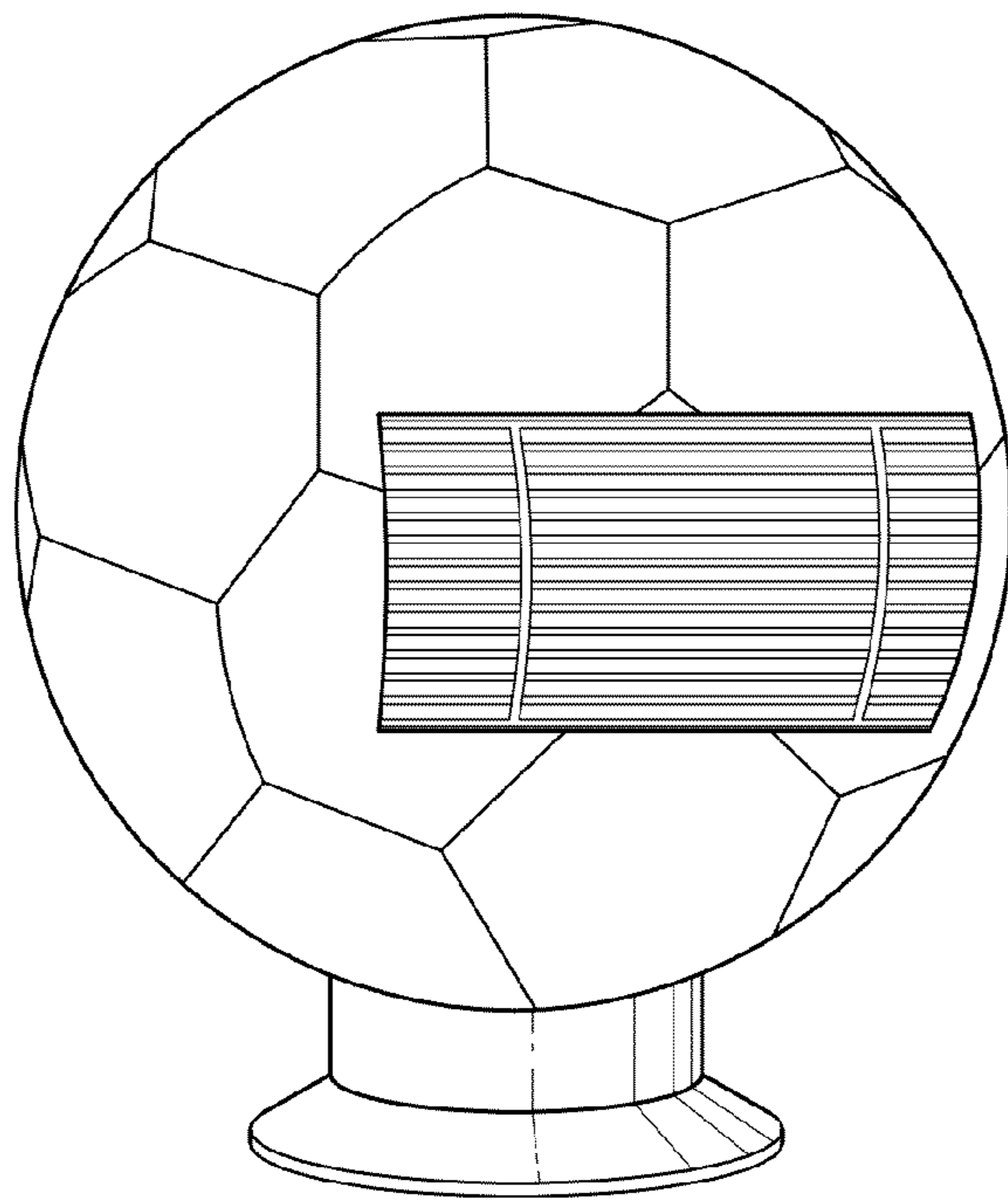


FIG. 9

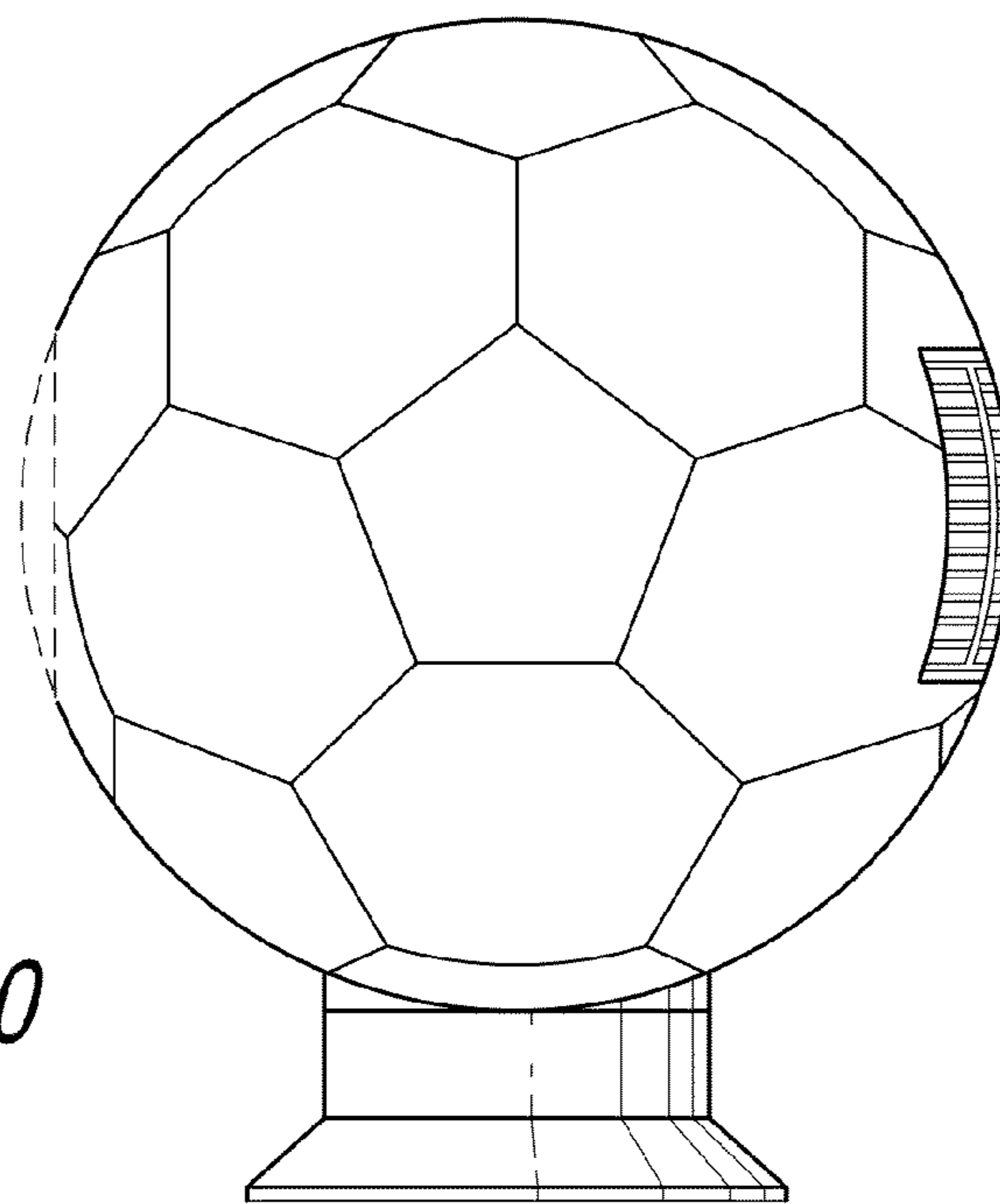


FIG. 10

FIG. 11

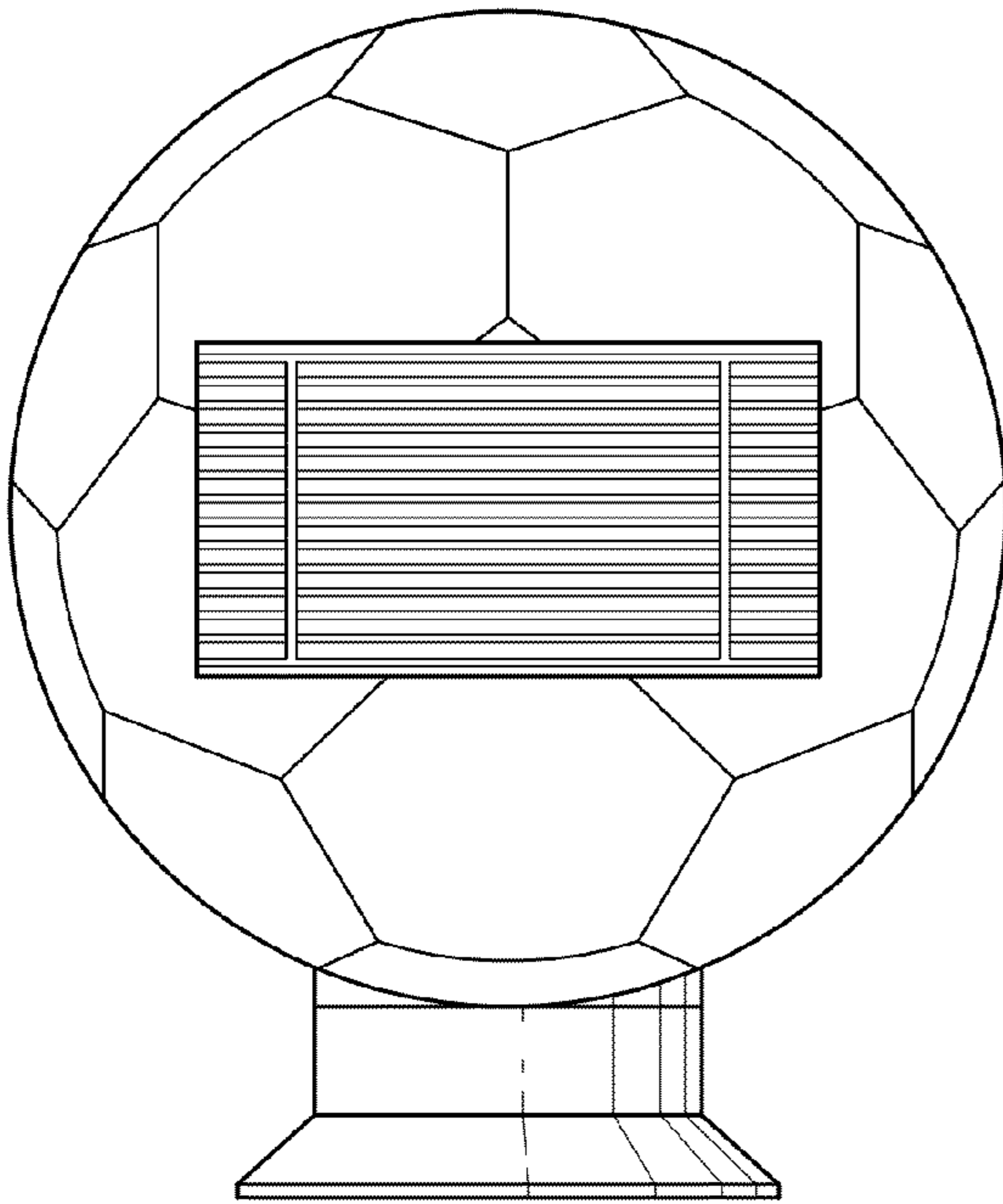


FIG. 12

