



US00D693912S

(12) **United States Design Patent**  
**Fullerton, Jr. et al.**

(10) **Patent No.:** **US D693,912 S**  
(45) **Date of Patent:** **\*\* Nov. 19, 2013**

- (54) **TOILET LID**
- (71) Applicant: **Kohler Co.**, Kohler, WI (US)
- (72) Inventors: **Benjamin B. Fullerton, Jr.**,  
Oconomowoc, WI (US); **Michael R. Bates**, Kohler, WI (US)
- (73) Assignee: **Kohler Co.**, Kohler, WI (US)
- (\*\*) Term: **14 Years**
- (21) Appl. No.: **29/453,944**
- (22) Filed: **May 3, 2013**

- 5,361,425 A 11/1994 Armanno, Sr.
- RE38,191 E 7/2003 Otte
- D593,655 S 6/2009 De Lay
- D618,325 S 6/2010 Deng
- 8,091,152 B1 1/2012 Rucker et al.
- 8,312,571 B2 11/2012 Vierkant, III et al.
- 2007/0294810 A1 12/2007 Vierkant et al.

*Primary Examiner* — Robert Delehanty  
(74) *Attorney, Agent, or Firm* — Foley & Lardner LLP

(57) **CLAIM**  
We claim the ornamental design for a toilet lid, as shown and described.

**DESCRIPTION**

FIG. 1 is a perspective view of an another embodiment of the claimed design;  
 FIG. 2 is a perspective view of the design of FIG. 1;  
 FIG. 3 is a top plan view of the design of FIG. 1;  
 FIG. 4 is a bottom plan view of the design of FIG. 1;  
 FIG. 5 is a right side plan view of the design of FIG. 1;  
 FIG. 6 is a front plan view of the design of FIG. 1;  
 FIG. 7 is a rear plan view of the design of FIG. 1;  
 FIG. 8 is a cross-sectional view illustrating the profile taken through line 8-8 as shown in FIG. 3.  
 FIG. 9 is a cross-sectional view illustrating the profile taken through line 9-9 as shown in FIG. 5; and,  
 FIG. 10 is a cross-sectional view illustrating the profile taken through line 10-10 as shown in FIG. 3.  
 The ornamental design which is claimed is shown in solid lines in the drawings. The broken lines in the drawings are for illustrative purposes only and form no part of the claimed design. The dash-dot lines in the drawings define boundaries of the claimed design and form no part thereof.

**Related U.S. Application Data**

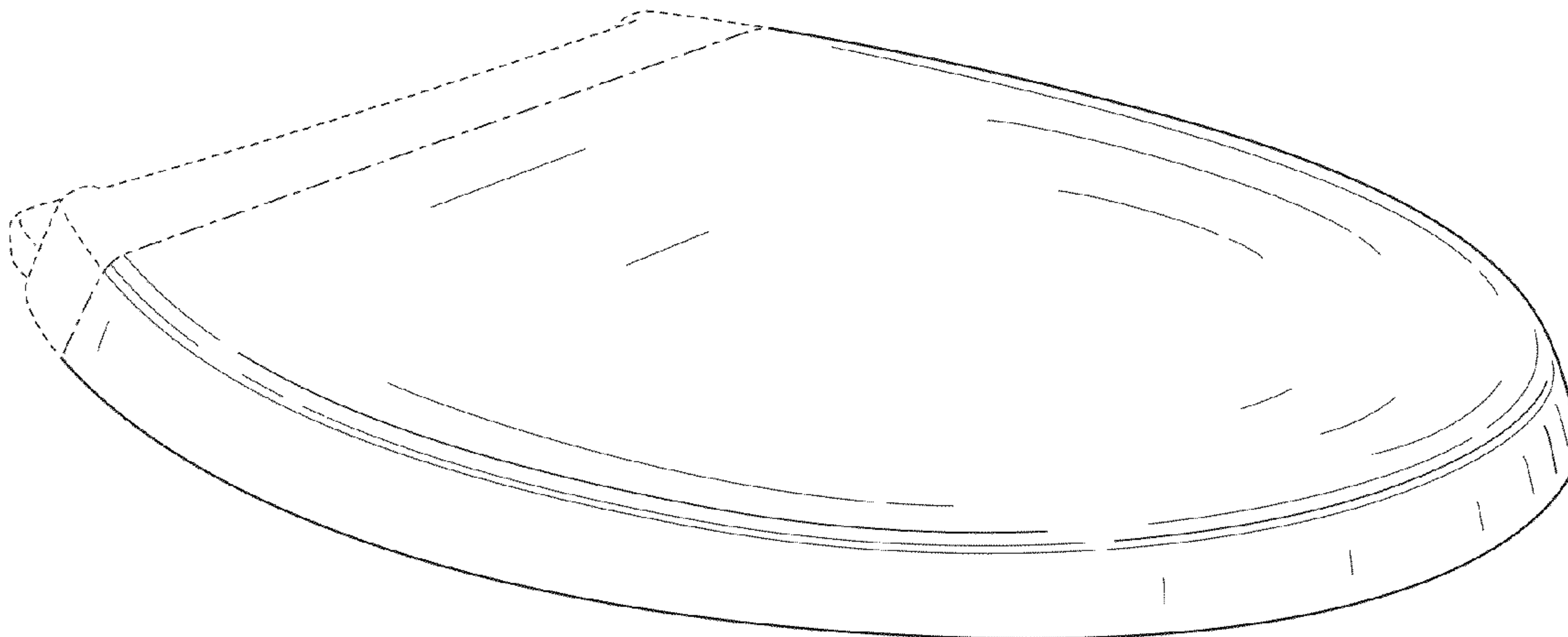
- (62) Division of application No. 29/443,597, filed on Jan. 18, 2013.
- (51) **LOC (9) Cl.** ..... **23-02**
- (52) **U.S. Cl.**  
USPC ..... **D23/311**
- (58) **Field of Classification Search**  
USPC ..... D23/295, 311; 4/234, 237, 239, 242.1  
See application file for complete search history.

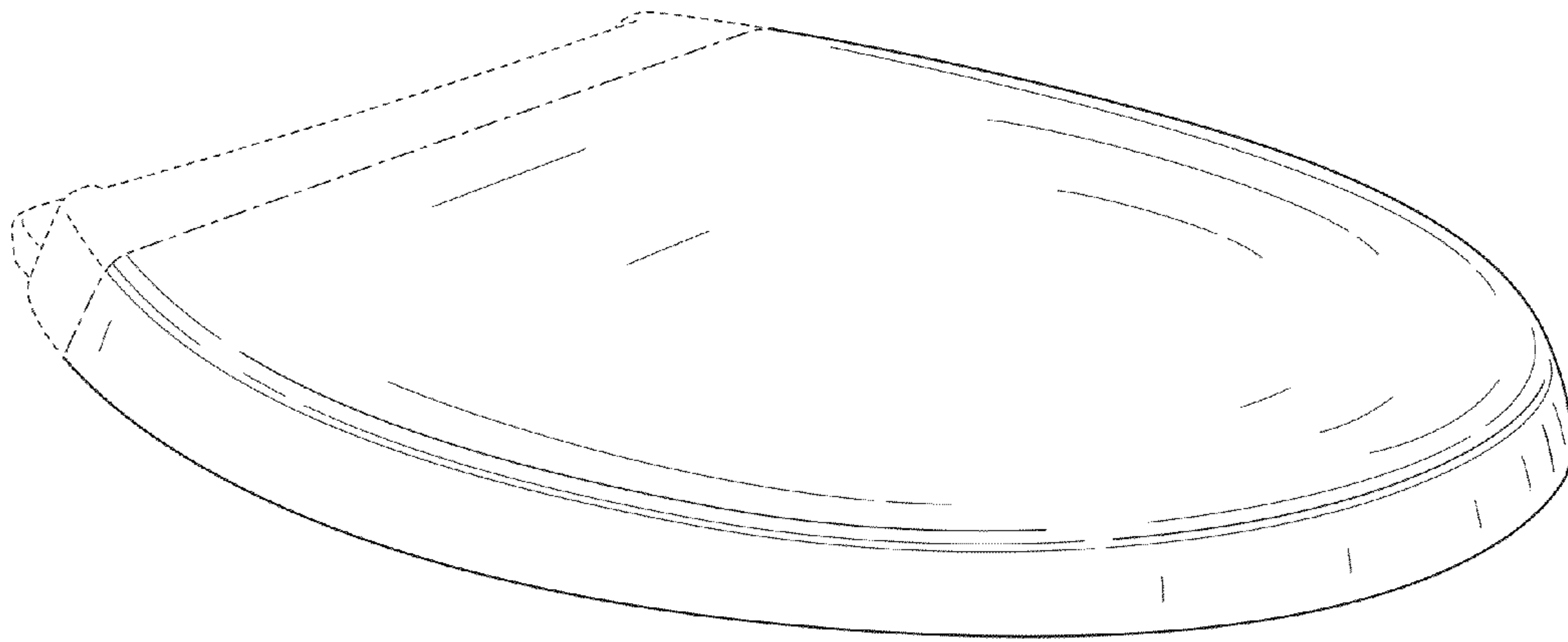
**References Cited**

**U.S. PATENT DOCUMENTS**

- 2,114,551 A 4/1938 Winding
- 2,751,604 A 6/1956 Young
- 3,072,925 A 1/1963 Nyman
- 3,593,349 A 7/1971 Bungo
- 4,461,046 A 7/1984 Adams
- 4,747,167 A 5/1988 Adams
- 4,970,730 A 11/1990 Stain et al.
- D338,951 S 8/1993 Witzig

**1 Claim, 7 Drawing Sheets**





*FIG. 1*

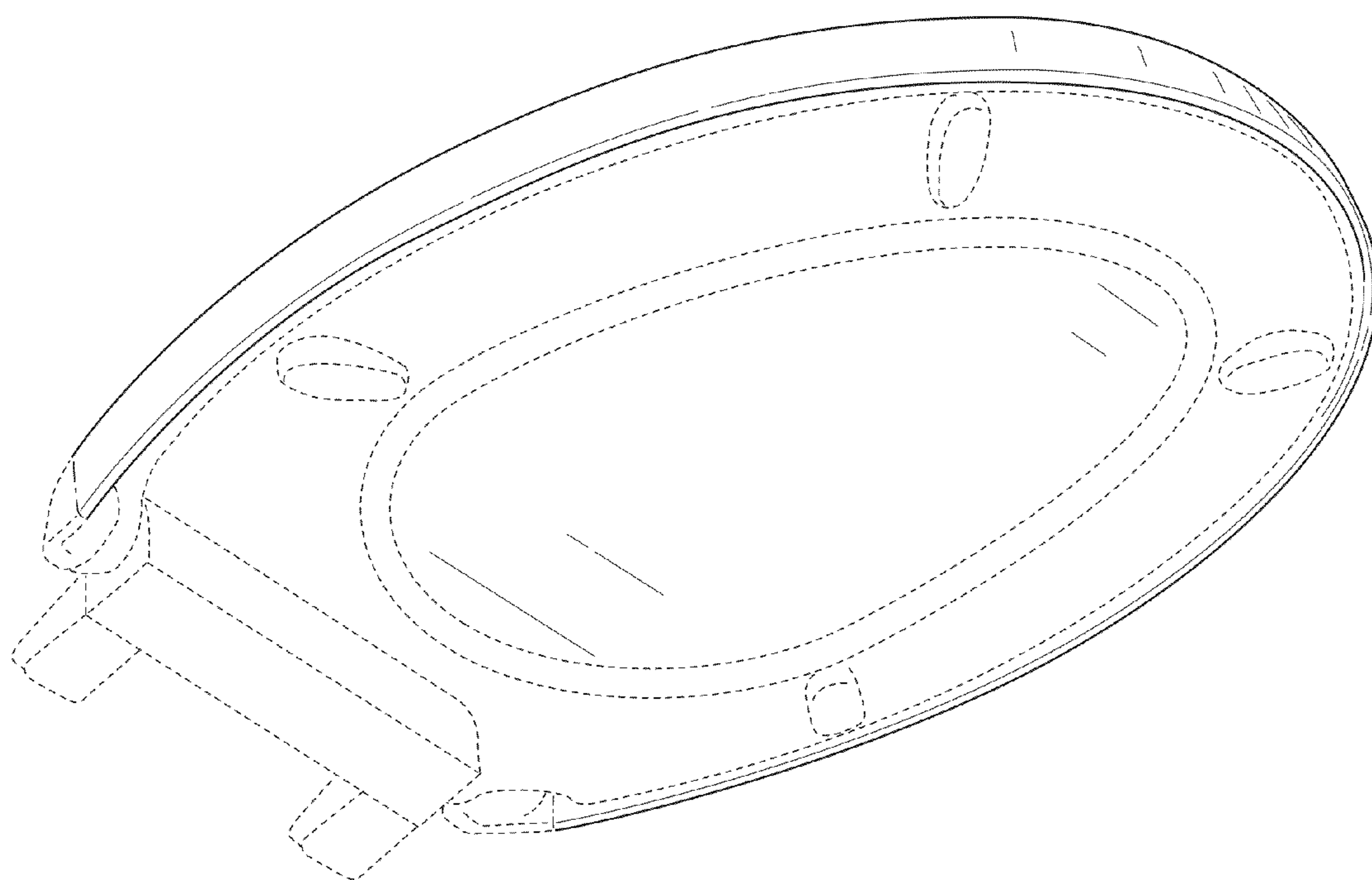


FIG. 2

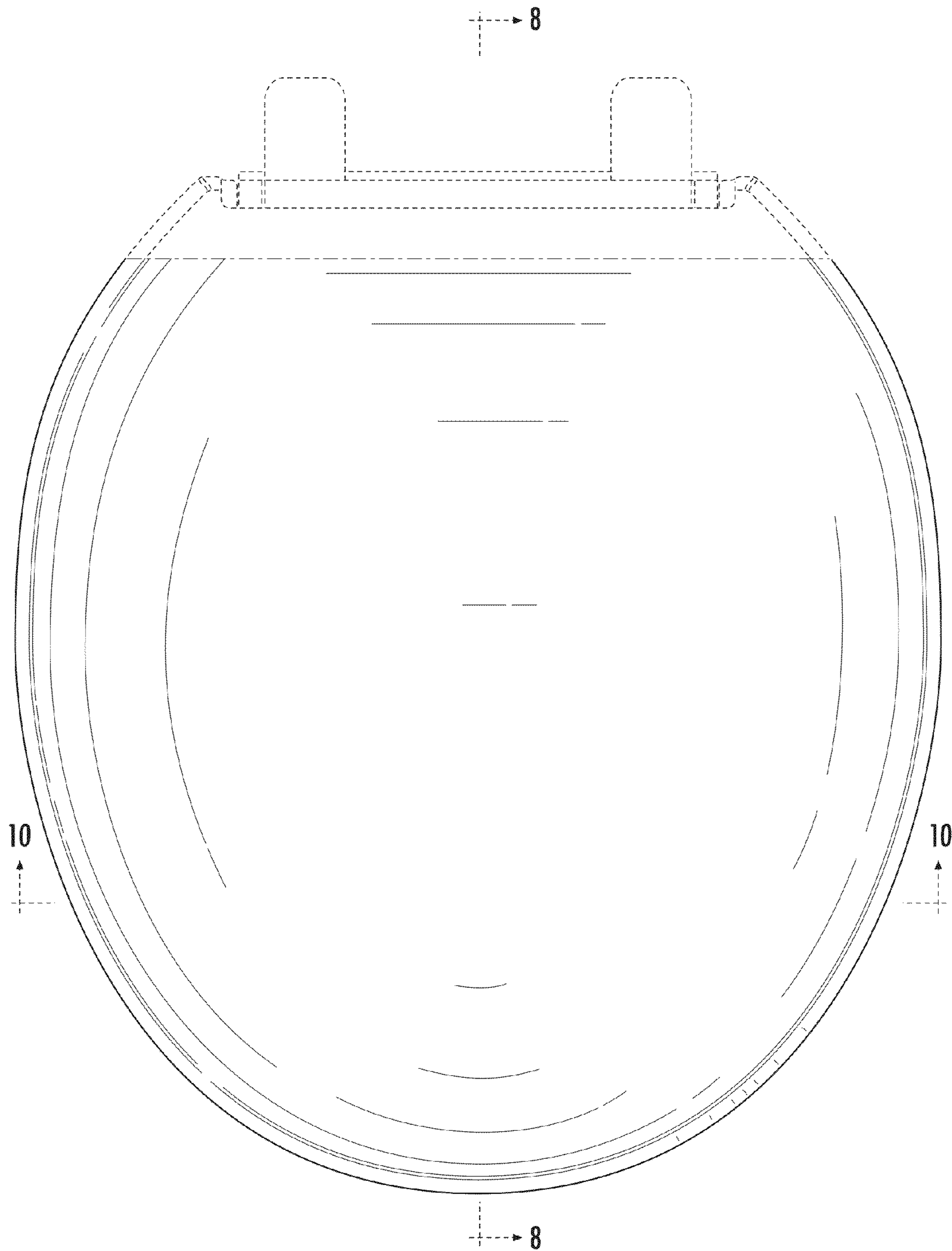


FIG. 3

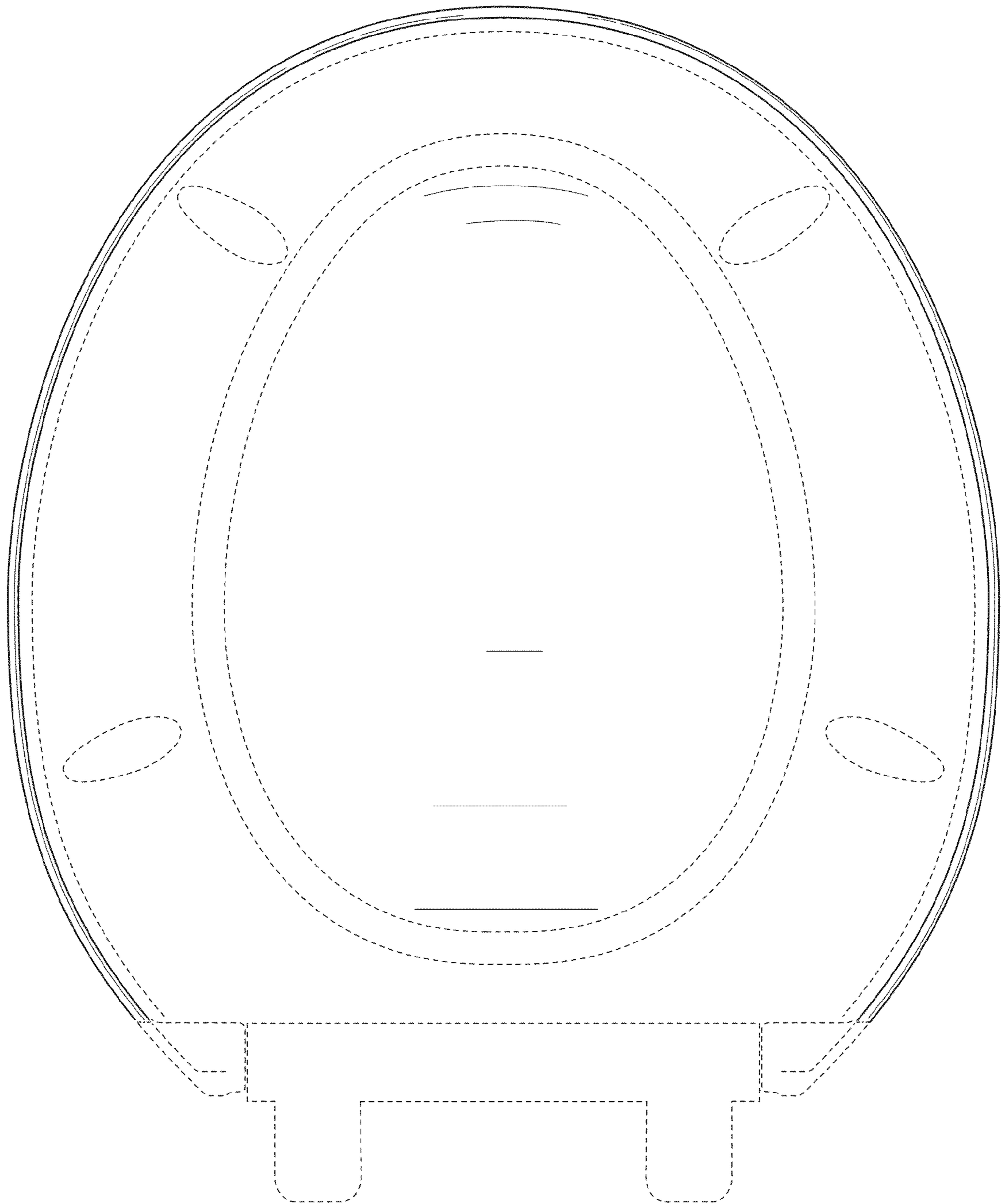


FIG. 4

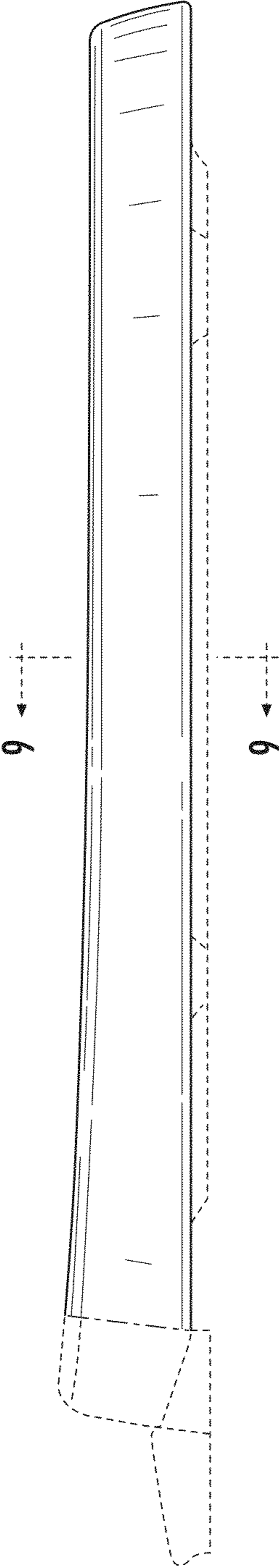


FIG. 5

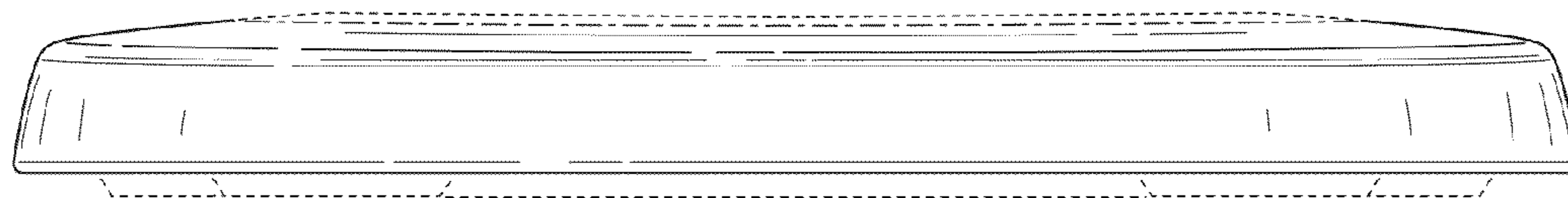


FIG. 6

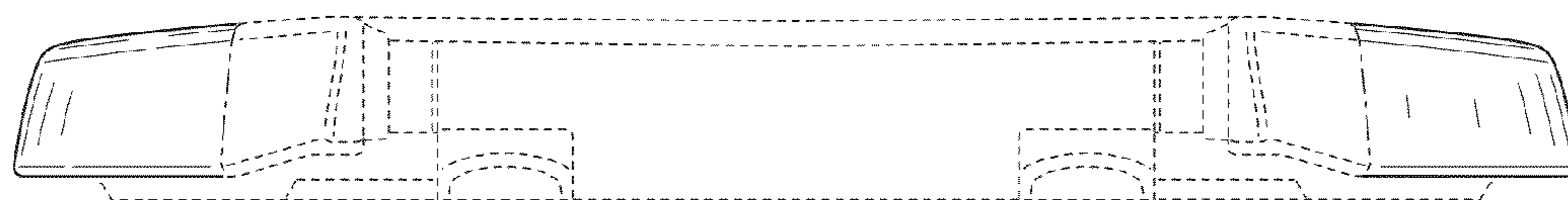


FIG. 7

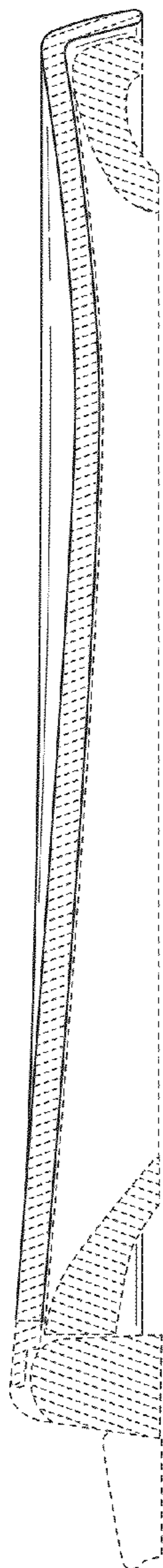


FIG. 8

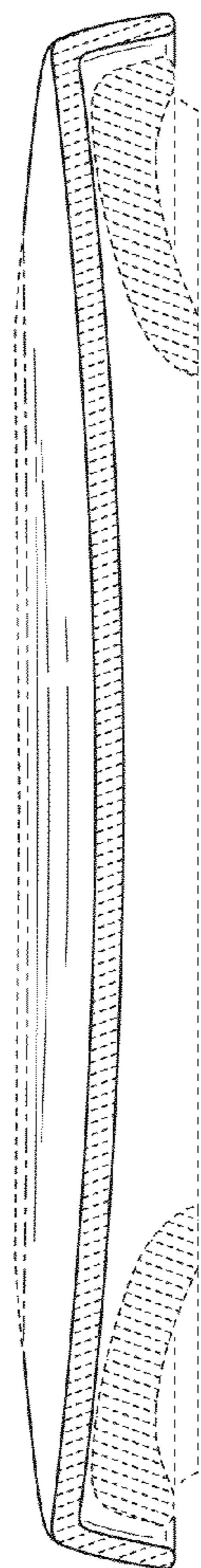


FIG. 9

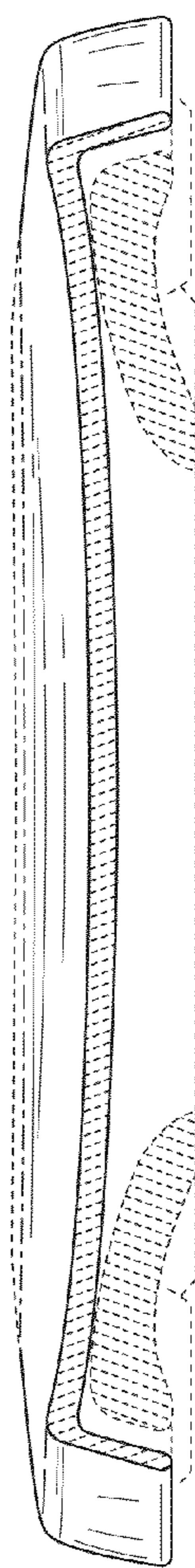


FIG. 10