



US00D693911S

(12) **United States Design Patent**
Adams

(10) **Patent No.:** **US D693,911 S**

(45) **Date of Patent:** **** Nov. 19, 2013**

(54) **SHOWER RECEPTOR**

(74) *Attorney, Agent, or Firm* — Foley & Lardner LLP

(71) Applicant: **Kohler Co.**, Kohler, WI (US)

(57) **CLAIM**

I claim the ornamental design for a shower receptor, as shown and described.

(72) Inventor: **John K. Adams**, Sheboygan, WI (US)

(73) Assignee: **Kohler Co.**, Kohler, WI (US)

(**) Term: **14 Years**

DESCRIPTION

(21) Appl. No.: **29/453,433**

FIG. 1 is a top perspective view of an embodiment of the claimed design;

FIG. 2 is another top perspective view of the claimed design of FIG. 1;

(22) Filed: **Apr. 29, 2013**

FIG. 3 is a front elevation view of the claimed design of FIG. 1;

Related U.S. Application Data

(62) Division of application No. 29/436,254, filed on Nov. 2, 2012, now Pat. No. Des. 682,999, which is a division of application No. 29/413,020, filed on Feb. 9, 2012, now Pat. No. Des. 672,850.

FIG. 4 is a rear elevation view of the claimed design of FIG. 1;

FIG. 5 is a right-side elevation view of the claimed design of FIG. 1;

(51) **LOC (9) Cl.** **23-02**

(52) **U.S. Cl.**
USPC **D23/304**

FIG. 6 is a left-side elevation view of the claimed design of FIG. 1;

FIG. 7 is a top plan view of the claimed design of FIG. 1;

FIG. 8 is a bottom plan view of the claimed design of FIG. 1;

(58) **Field of Classification Search**
USPC D23/275, 283, 303-304; 4/663, 552,
4/596, 900
See application file for complete search history.

FIG. 9 is a cross-sectional view of the claimed design of FIG. 1 taken along line 9-9 of FIG. 7;

FIG. 10 is a cross-sectional view of the claimed design of FIG. 1 taken along line 10-10 of FIG. 7;

FIG. 11 is a cross-sectional view of the claimed design of FIG. 1 taken along line 11-11 of FIG. 7;

(56) **References Cited**

U.S. PATENT DOCUMENTS

| | | |
|------------|---------|----------------|
| D351,019 S | 9/1994 | Moore et al. |
| D596,721 S | 7/2009 | Hisey |
| D596,722 S | 7/2009 | Hisey |
| D611,129 S | 3/2010 | Hisey |
| D613,839 S | 4/2010 | Hisey |
| D614,750 S | 4/2010 | Hoernig et al. |
| D629,088 S | 12/2010 | Yoo et al. |

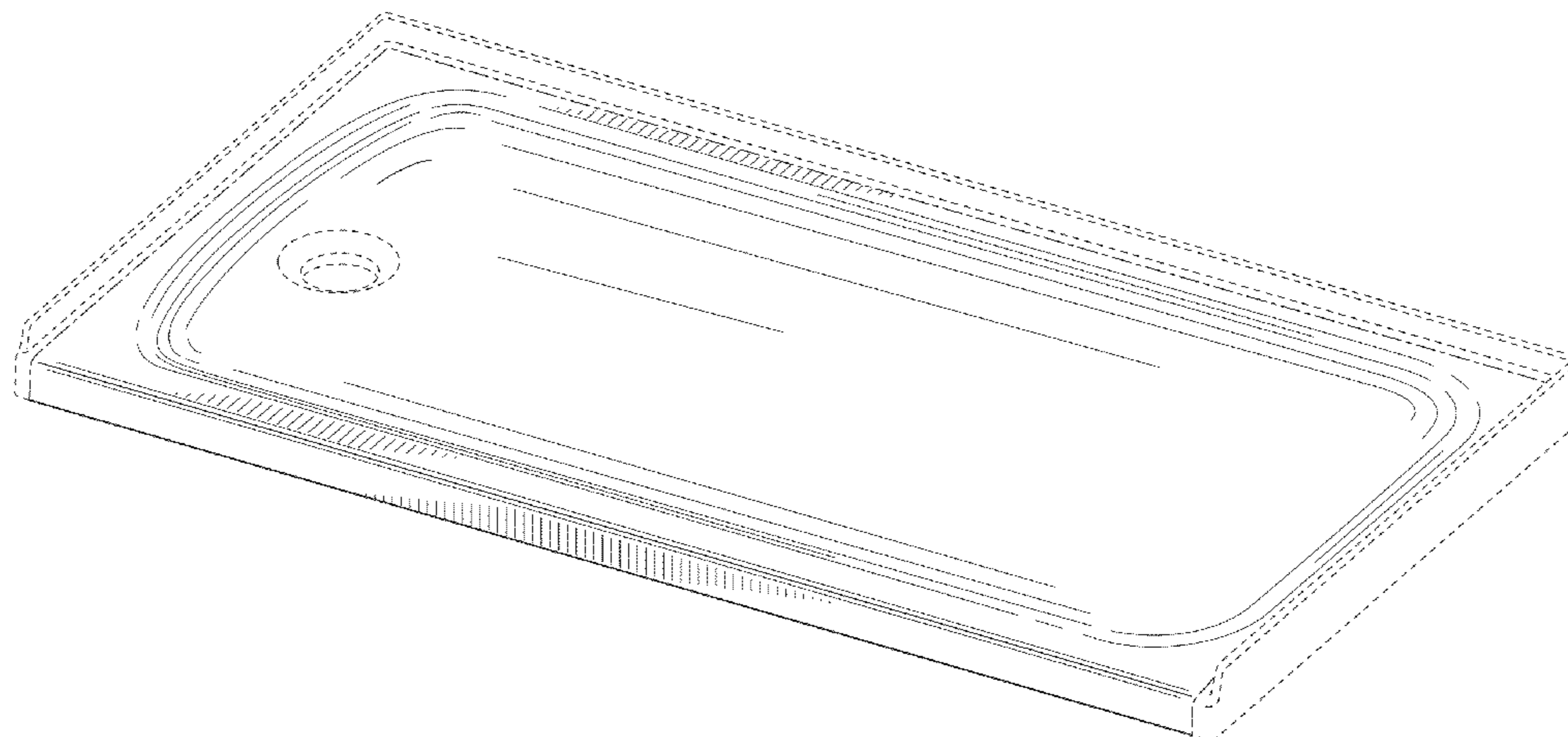
FIG. 12 is a detailed cross-sectional view of the claimed design of FIG. 1; and,

FIG. 13 is another detailed cross-sectional view of the claimed design of FIG. 1.

The ornamental design which is claimed is shown in solid lines in the drawings. The broken lines in the drawings are for illustrative purposes only and form no part of the claimed design.

Primary Examiner — Robert Delehanty

1 Claim, 8 Drawing Sheets



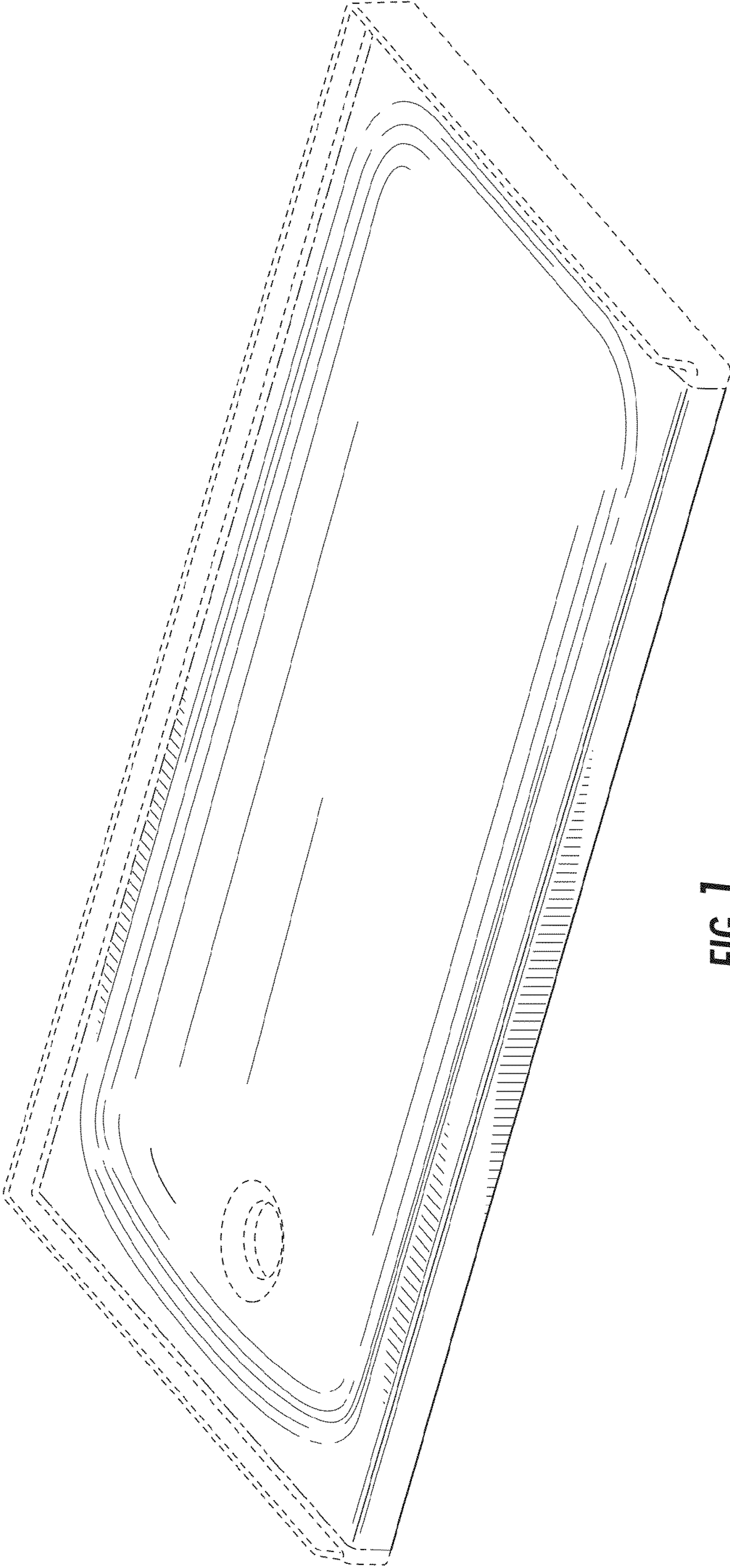


FIG. 1

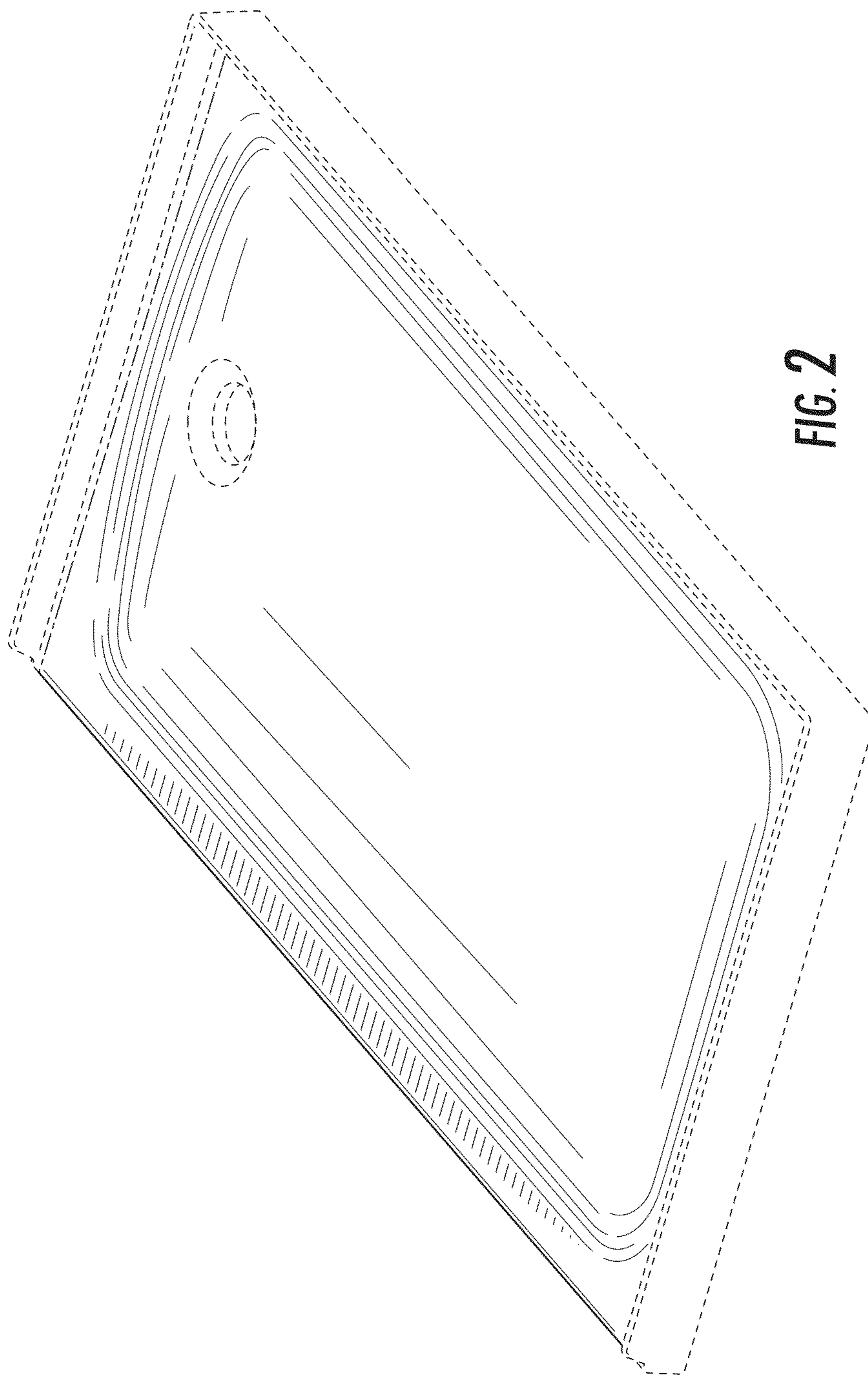


FIG. 2

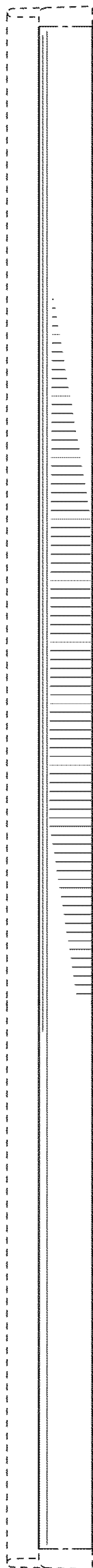


FIG. 3

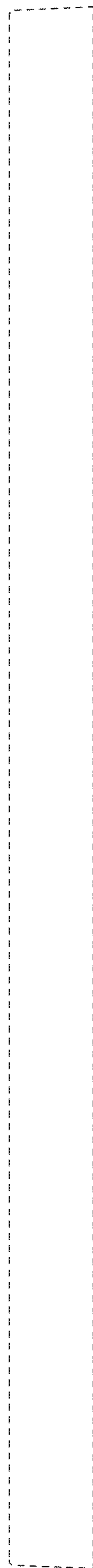


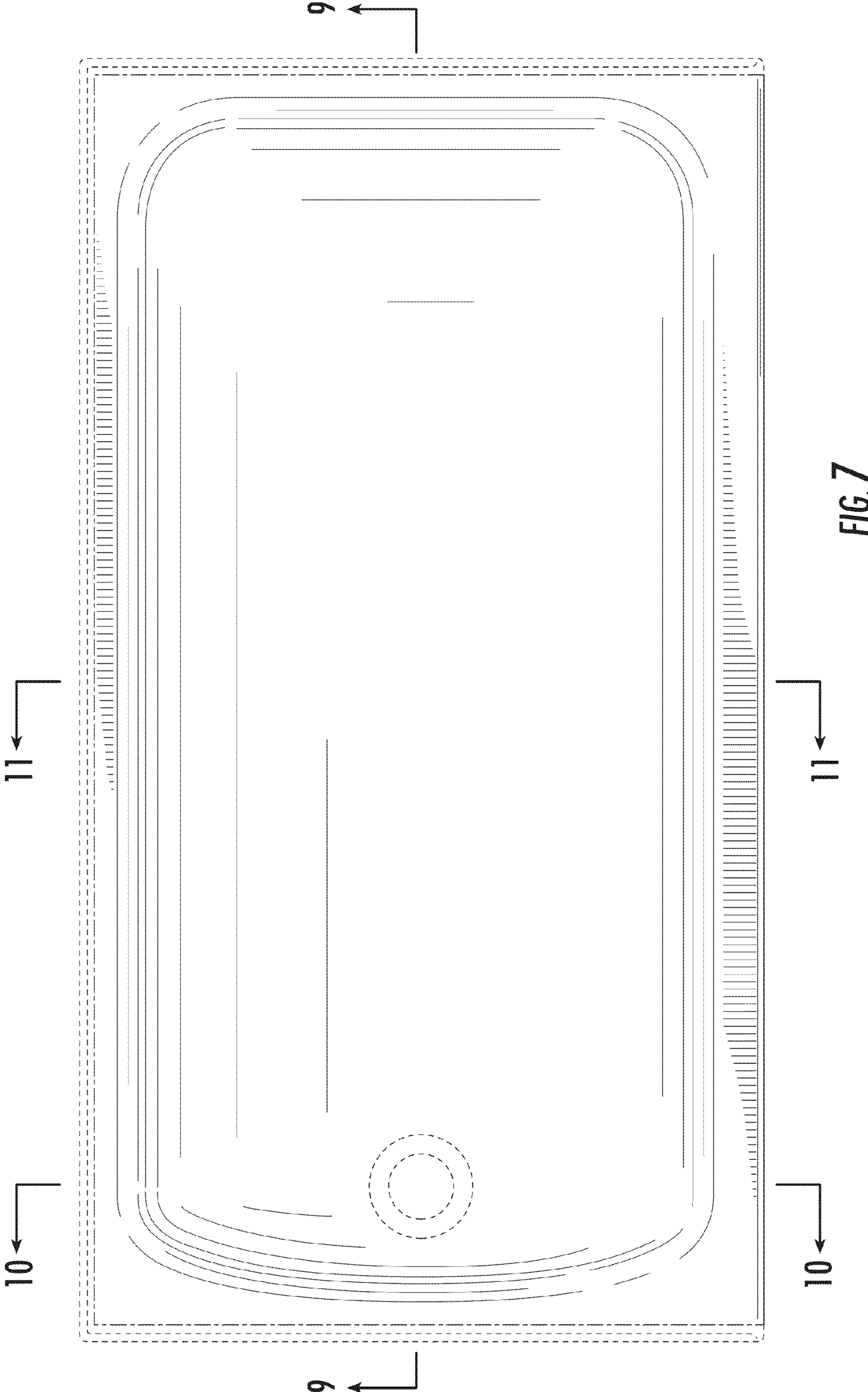
FIG. 4



FIG. 5



FIG. 6



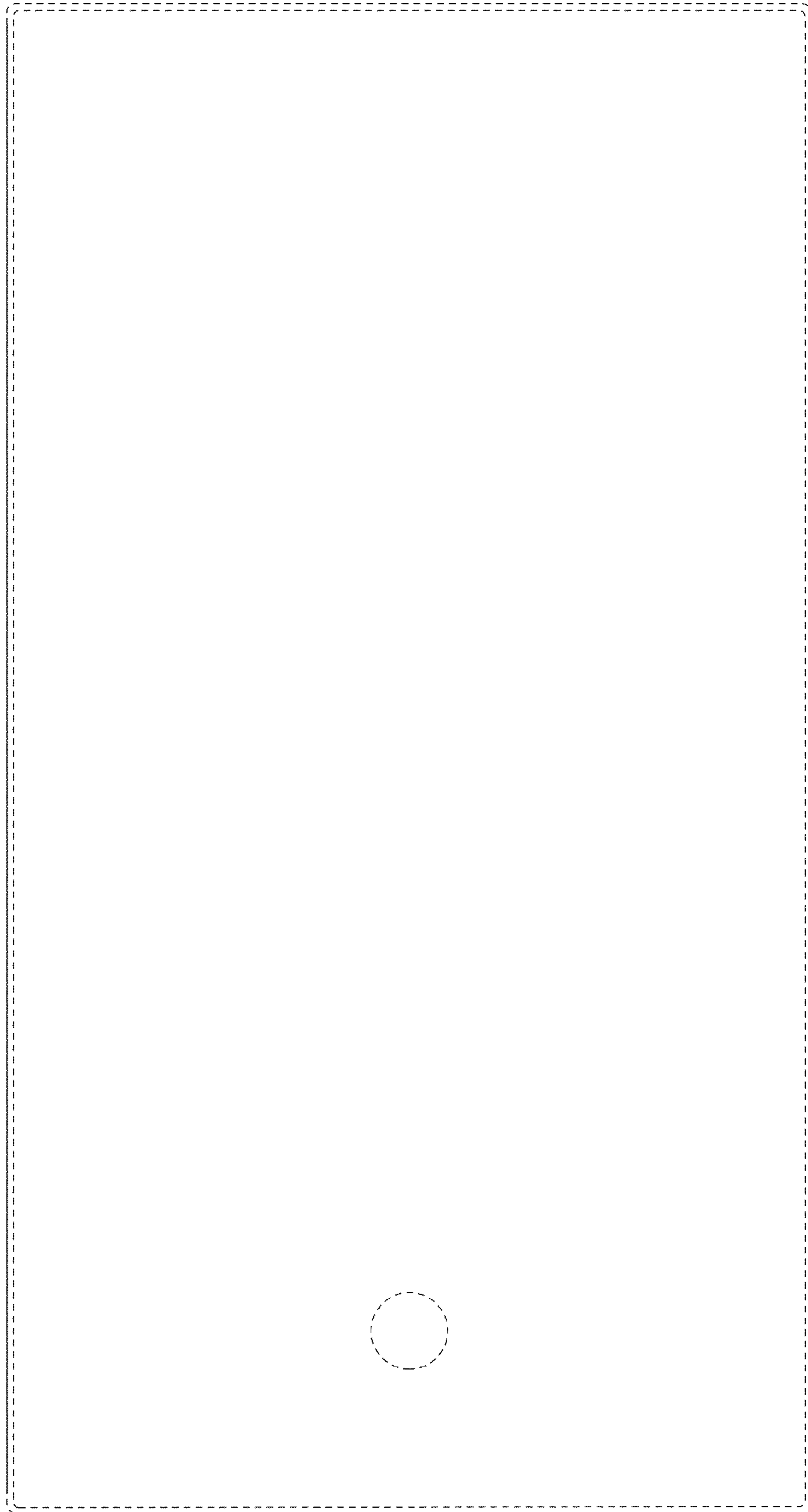


FIG. 8

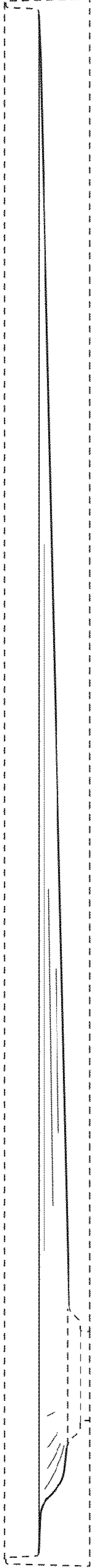


FIG. 9

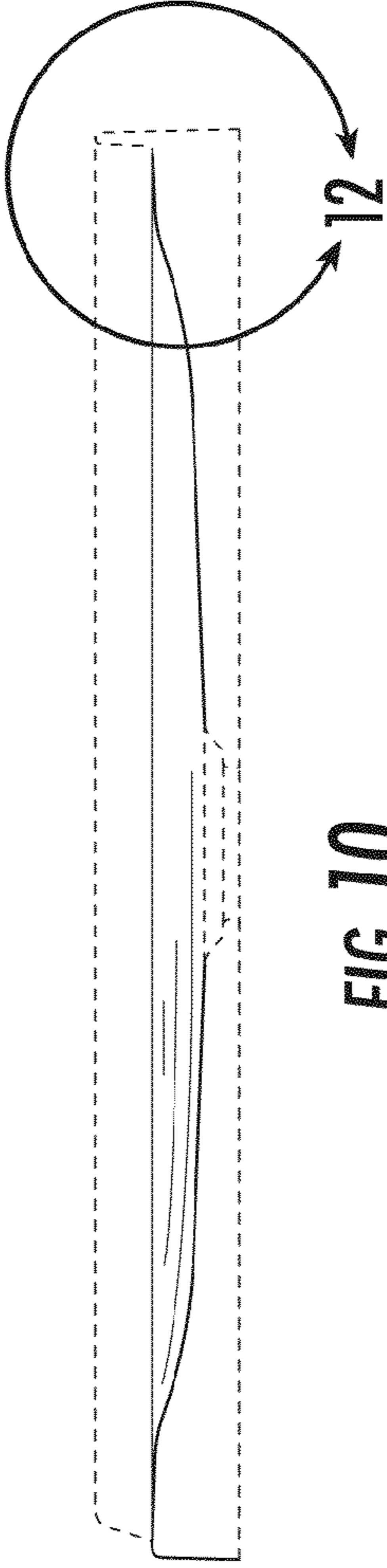


FIG. 10

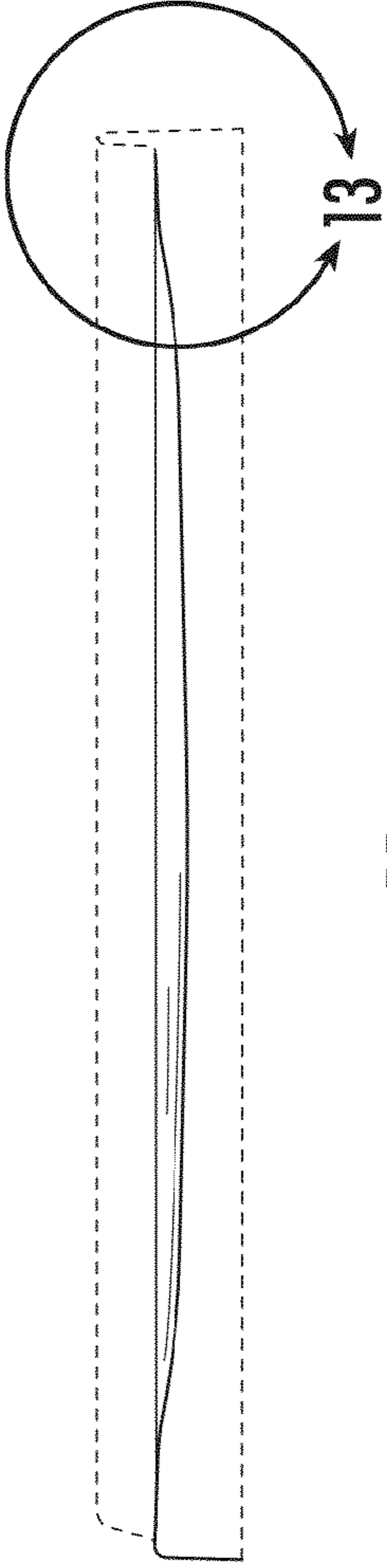


FIG. 11

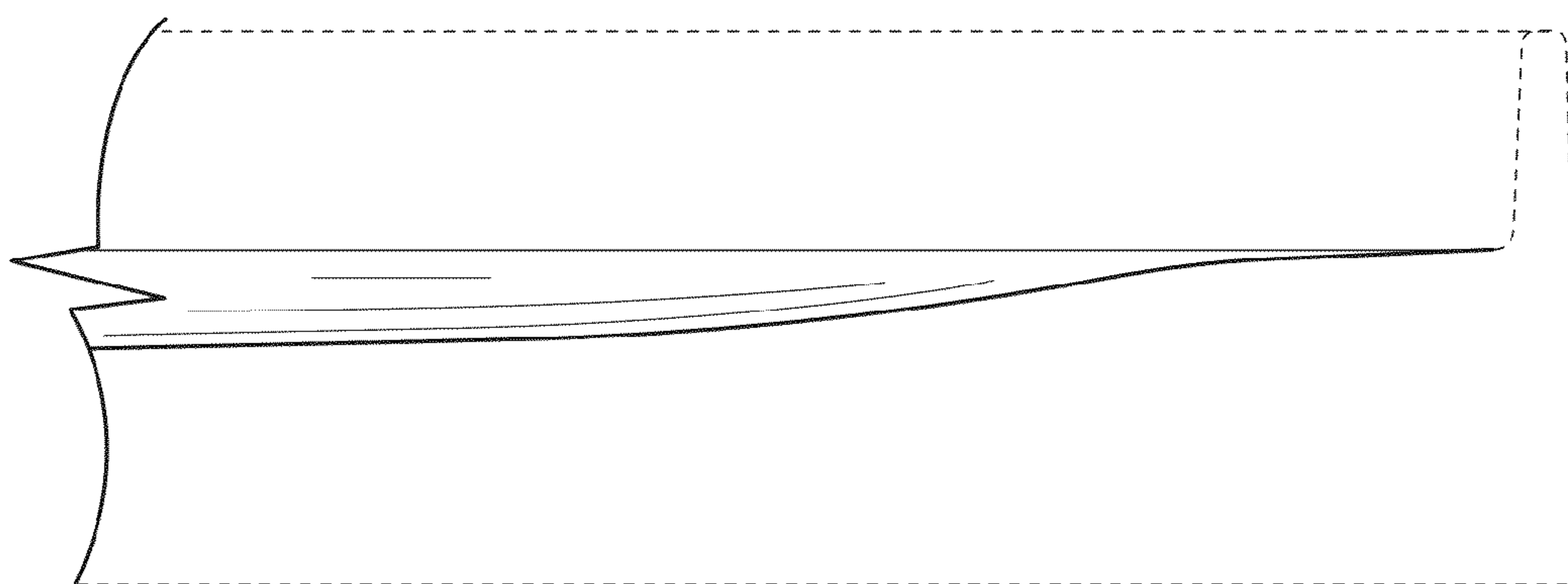


FIG. 12

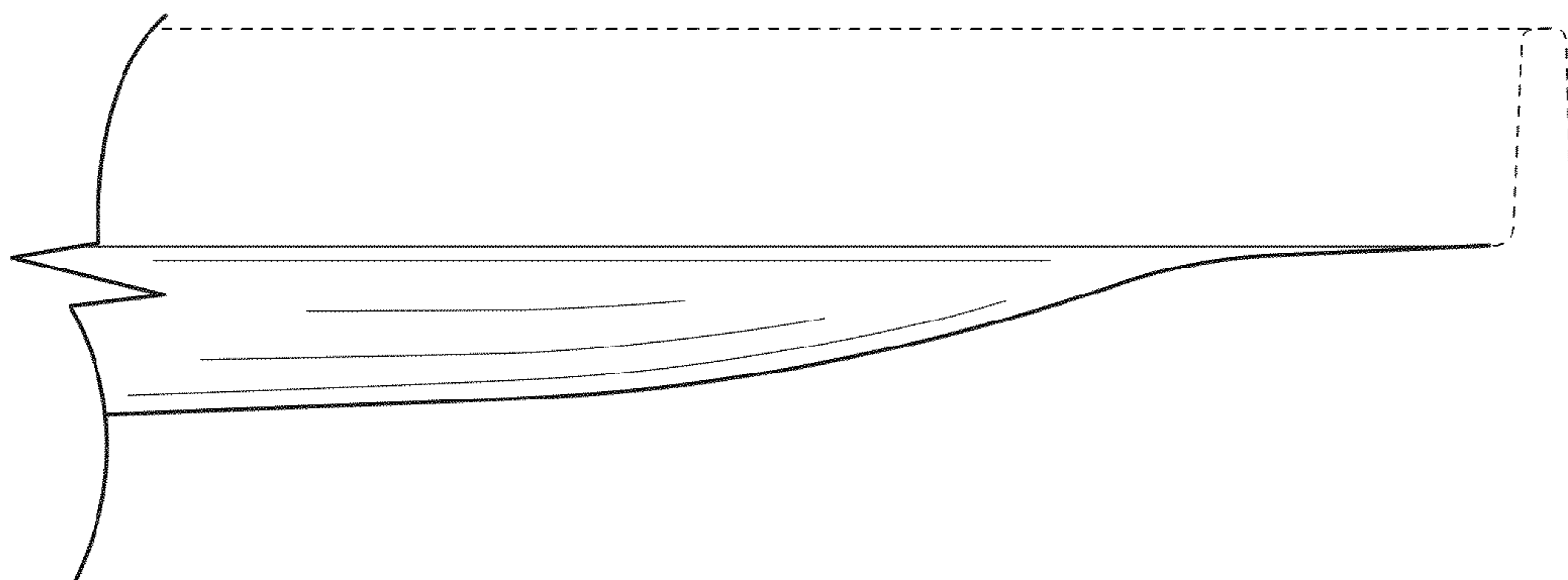


FIG. 13