



US00D693910S

(12) **United States Design Patent**  
**Bates et al.**

(10) **Patent No.:** **US D693,910 S**  
(45) **Date of Patent:** **\*\* Nov. 19, 2013**

(54) **TOILET**

- (71) Applicant: **Kohler Co.**, Kohler, WI (US)
- (72) Inventors: **Michael Bates**, Kohler, WI (US);  
**Herbert V. Kohler, Jr.**, Kohler, WI (US)
- (73) Assignee: **Kohler Co.**, Kohler, WI (US)
- (\*\*) Term: **14 Years**

(21) Appl. No.: **29/448,058**

(22) Filed: **Mar. 8, 2013**

(51) **LOC (9) Cl.** ..... **23-02**

(52) **U.S. Cl.**  
USPC ..... **D23/295**

(58) **Field of Classification Search**  
USPC ..... D23/295, 301, 309, 300, 311; 4/300,  
4/420, 234, 237, 239, 242.1  
See application file for complete search history.

(56) **References Cited**

**U.S. PATENT DOCUMENTS**

|              |     |         |                 |         |
|--------------|-----|---------|-----------------|---------|
| 5,926,863    | A   | 7/1999  | Arita et al.    |         |
| 6,986,176    | B1  | 1/2006  | Lin             |         |
| 7,325,258    | B2  | 2/2008  | Asada et al.    |         |
| 7,661,153    | B2  | 2/2010  | Nakamura et al. |         |
| D621,487     | S * | 8/2010  | Toyohara        | D23/300 |
| 7,827,628    | B2  | 11/2010 | Ichiki et al.   |         |
| 8,037,552    | B2  | 10/2011 | Ichiki et al.   |         |
| D653,315     | S * | 1/2012  | Yoshioka        | D23/301 |
| D658,277     | S * | 4/2012  | Iranyi et al.   | D23/295 |
| 2008/0271234 | A1  | 11/2008 | Okada et al.    |         |
| 2010/0186158 | A1  | 7/2010  | Morita et al.   |         |

**FOREIGN PATENT DOCUMENTS**

|    |          |        |
|----|----------|--------|
| JP | D1335527 | 6/2009 |
| JP | D1382322 | 3/2010 |
| JP | D1336299 | 7/2011 |

**OTHER PUBLICATIONS**

<http://www.sz-wholesaler.com/usering/1172/1187sw1/wall---hung-toilet-528.jpg> (1 pg).  
Wall Hung Toilet—Wall Hung Toilet Distributor; <http://www.sz-wholesaler.com/p/1172/1187-1/wall-hung-toilet-615932.html> (2 pgs).  
Toilet Accessories—and More Toilet Accessories Distributor Information; <http://www.sz-wholesaler.com/cn-cat/1172/1187/toilet-accessories-27.html> (4 pgs).  
Duravit wall-hung toilet on the Geberit frame system with tank, etc.; Dec. 14, 2010 (3 pgs).

(Continued)

*Primary Examiner* — Robert Delehanty

(74) *Attorney, Agent, or Firm* — Foley & Lardner LLP

(57) **CLAIM**

We claim the ornamental design for a toilet, as shown and described.

**DESCRIPTION**

FIG. 1 is a perspective view of an embodiment of the claimed design;

FIG. 2 is a front view of the embodiment of the claimed design shown in FIG. 1;

FIG. 3 is a rear view of the embodiment of the claimed design shown in FIG. 1;

FIG. 4 is a side view of the embodiment of the claimed design shown in FIG. 1;

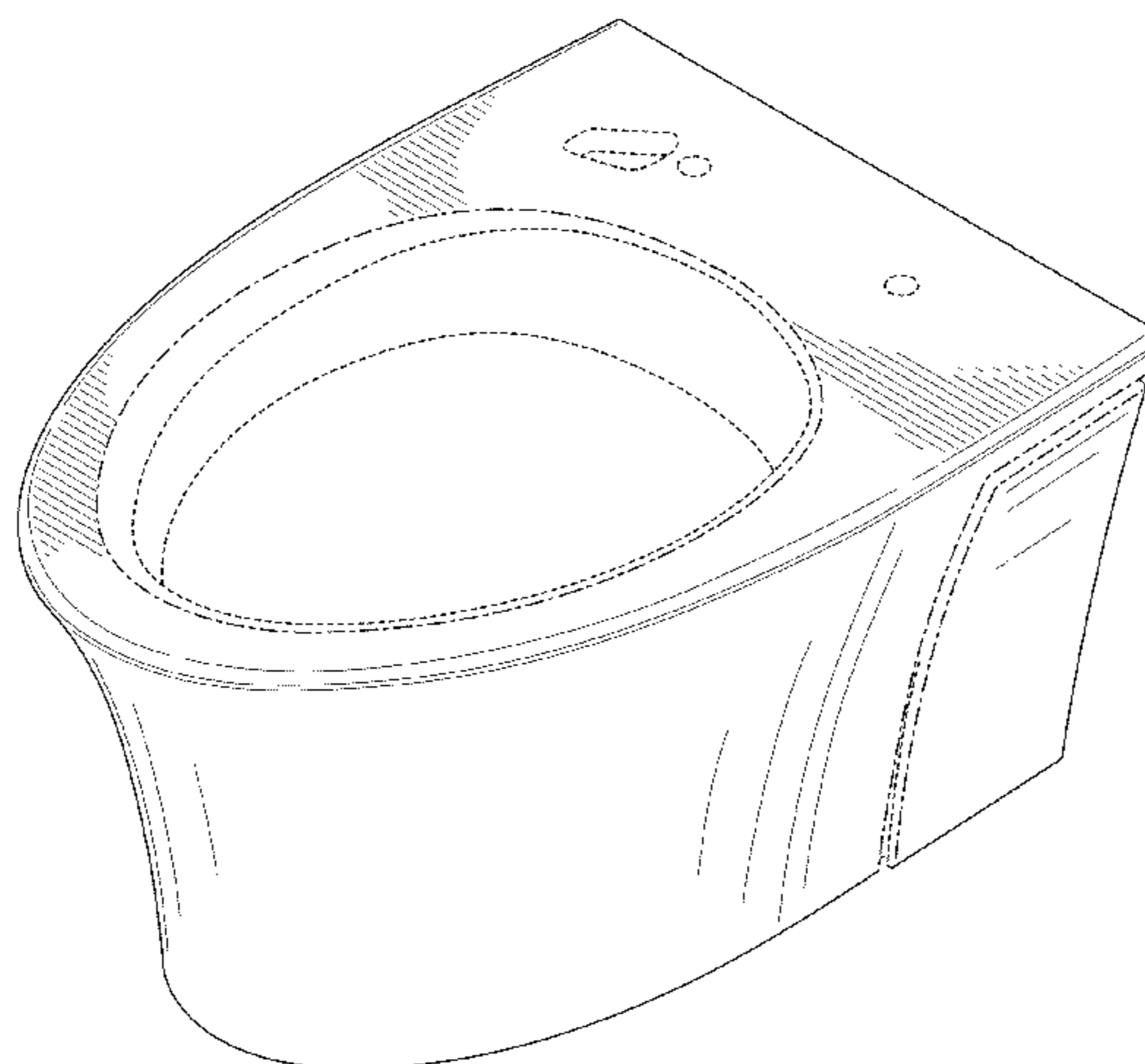
FIG. 5 is another side view of the embodiment of the claimed design shown in FIG. 1;

FIG. 6 is a top view of the embodiment of the claimed design shown in FIG. 1; and,

FIG. 7 is a bottom view of the embodiment of the claimed design shown in FIG. 1.

The ornamental design which is claimed is shown in solid lines in the drawings. The broken lines in the drawings are for illustrative purposes only and form no part of the claimed design.

**1 Claim, 7 Drawing Sheets**



(56)

**References Cited**

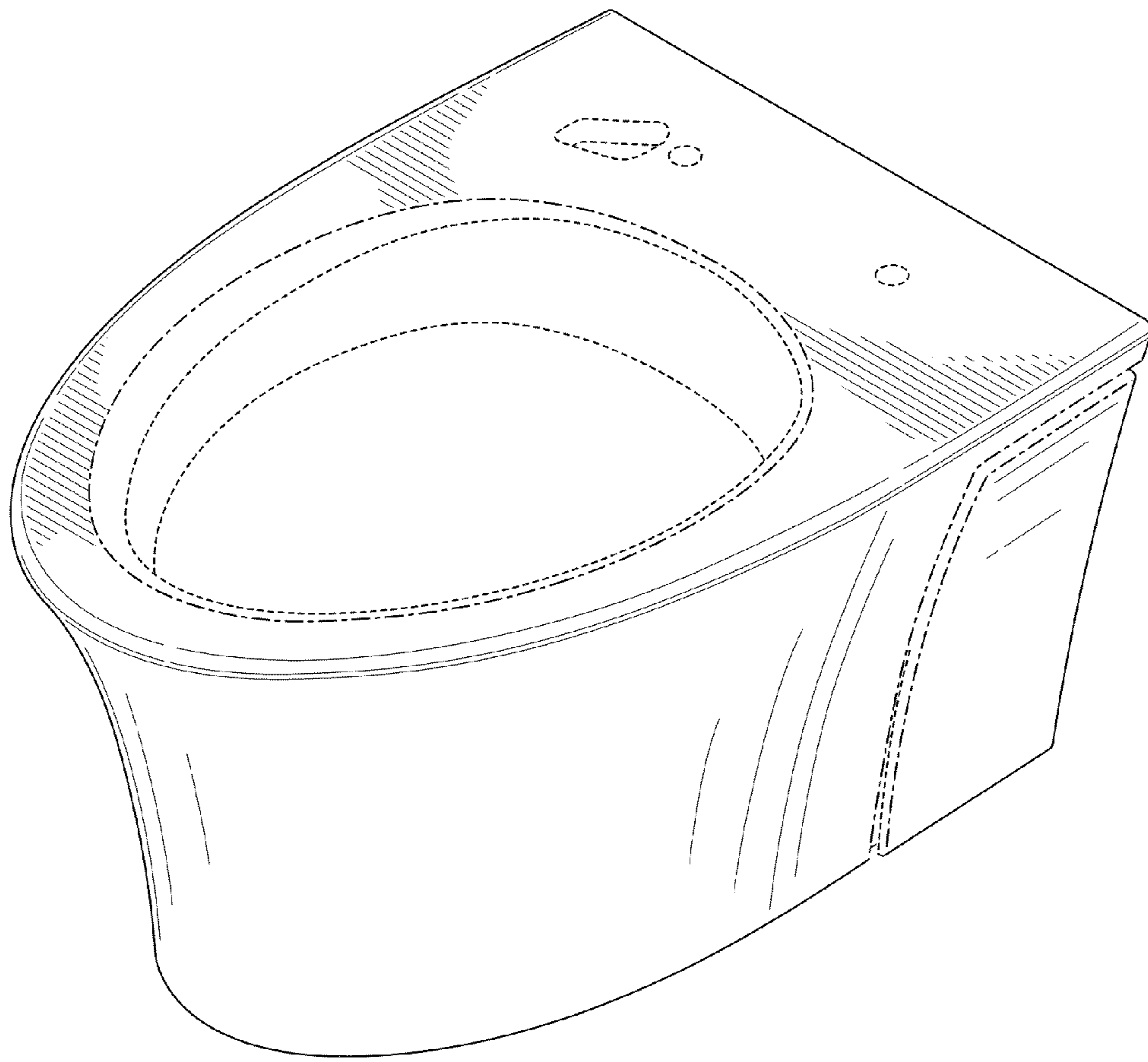
OTHER PUBLICATIONS

Installation Instructions Care and Maintenance; Porcher Solutions;  
Wall Hung Dual Flush Toilet with Seat Model 47010-11 (4 pgs).

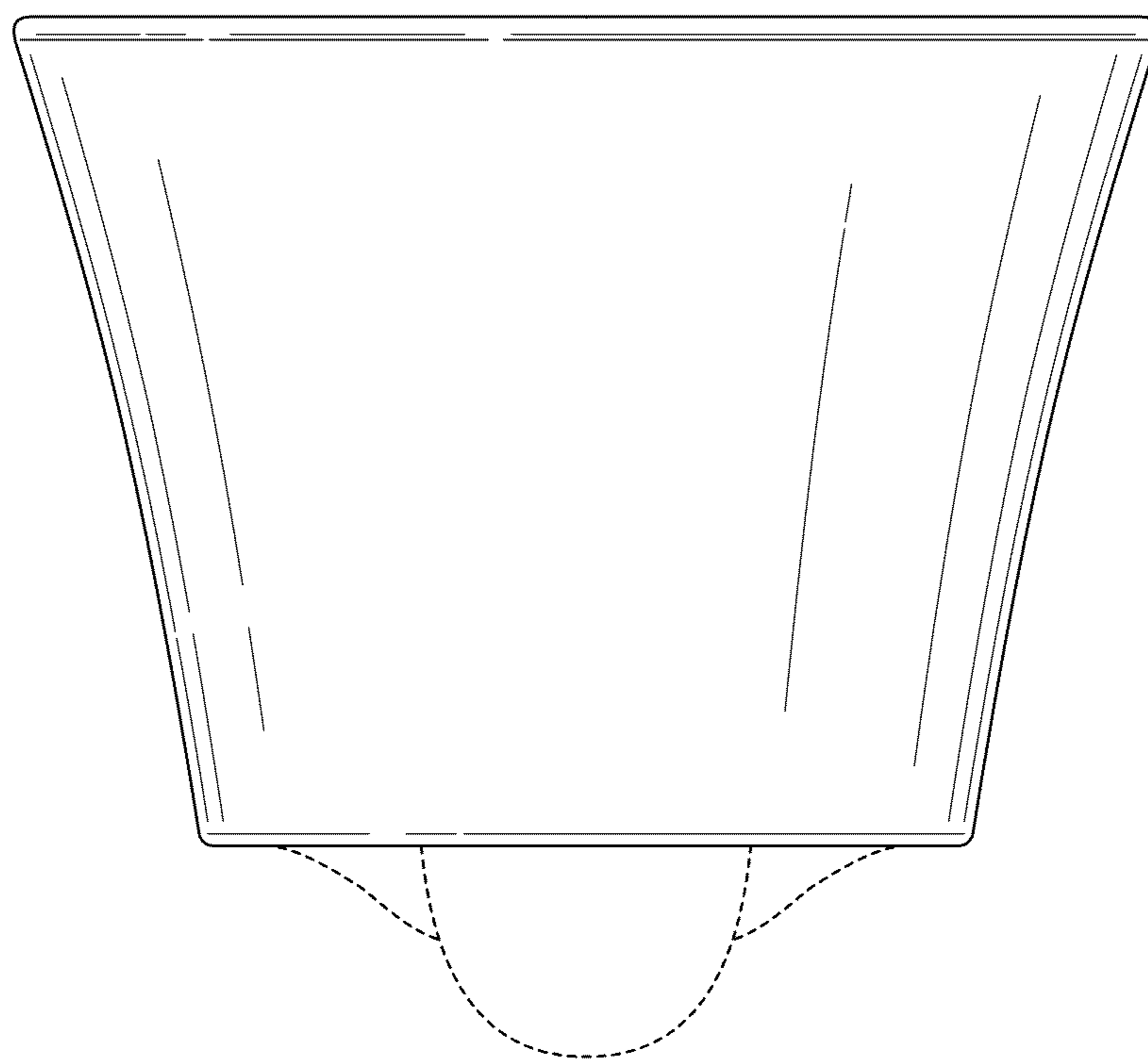
Porcher Solutions; Wall Mounted Dual Flush Water Closet with  
Standard Carrier; 97010-11—Standard Carrier Kit (2 pgs).

Faucet.com; Porcher 97010-11.001 White Solutions 1.6 to .8 GPF  
Wall Mounted Dual Flush Toilet (2 pgs).

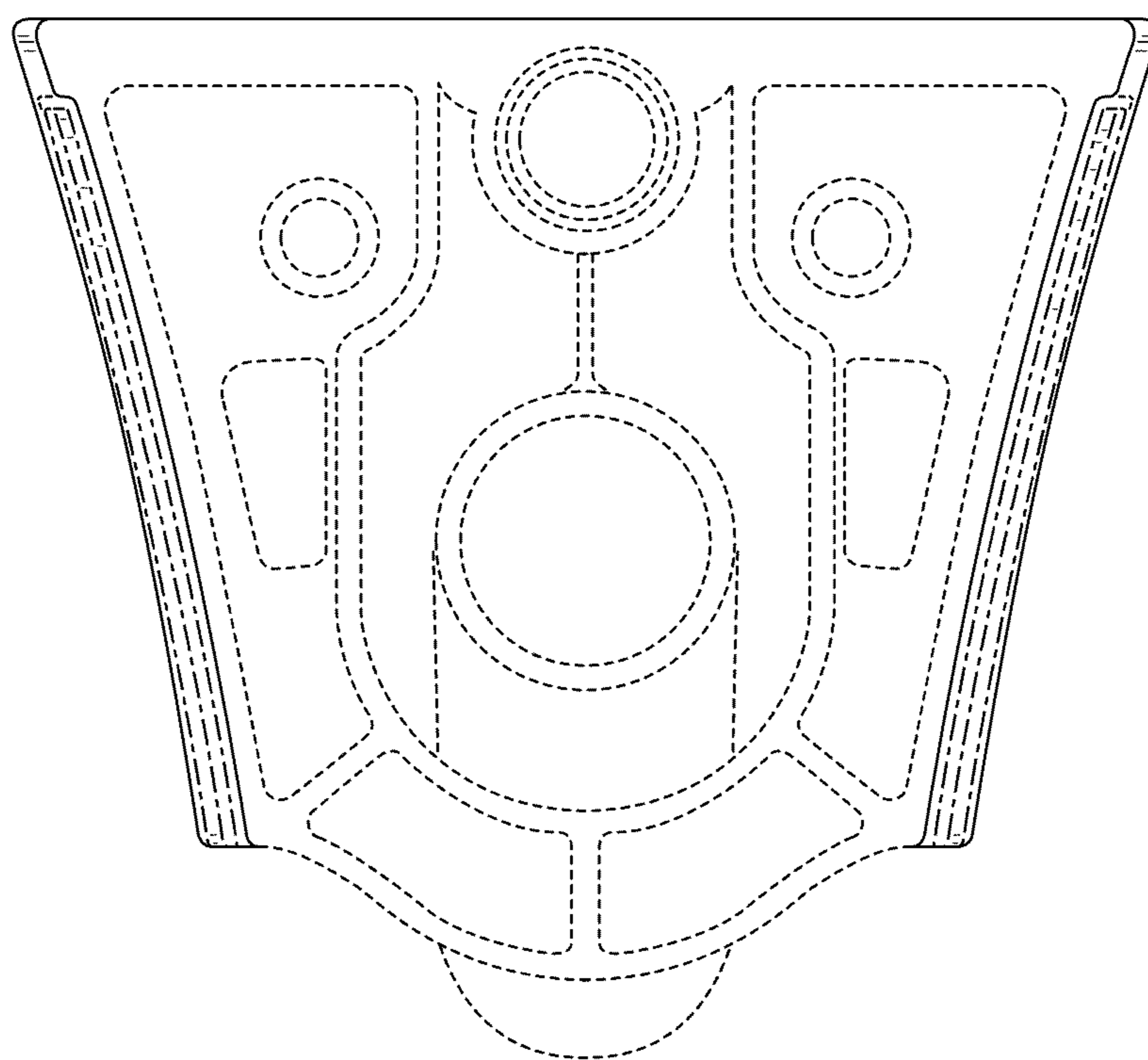
\* cited by examiner



**FIG. 1**



**FIG. 2**



**FIG. 3**

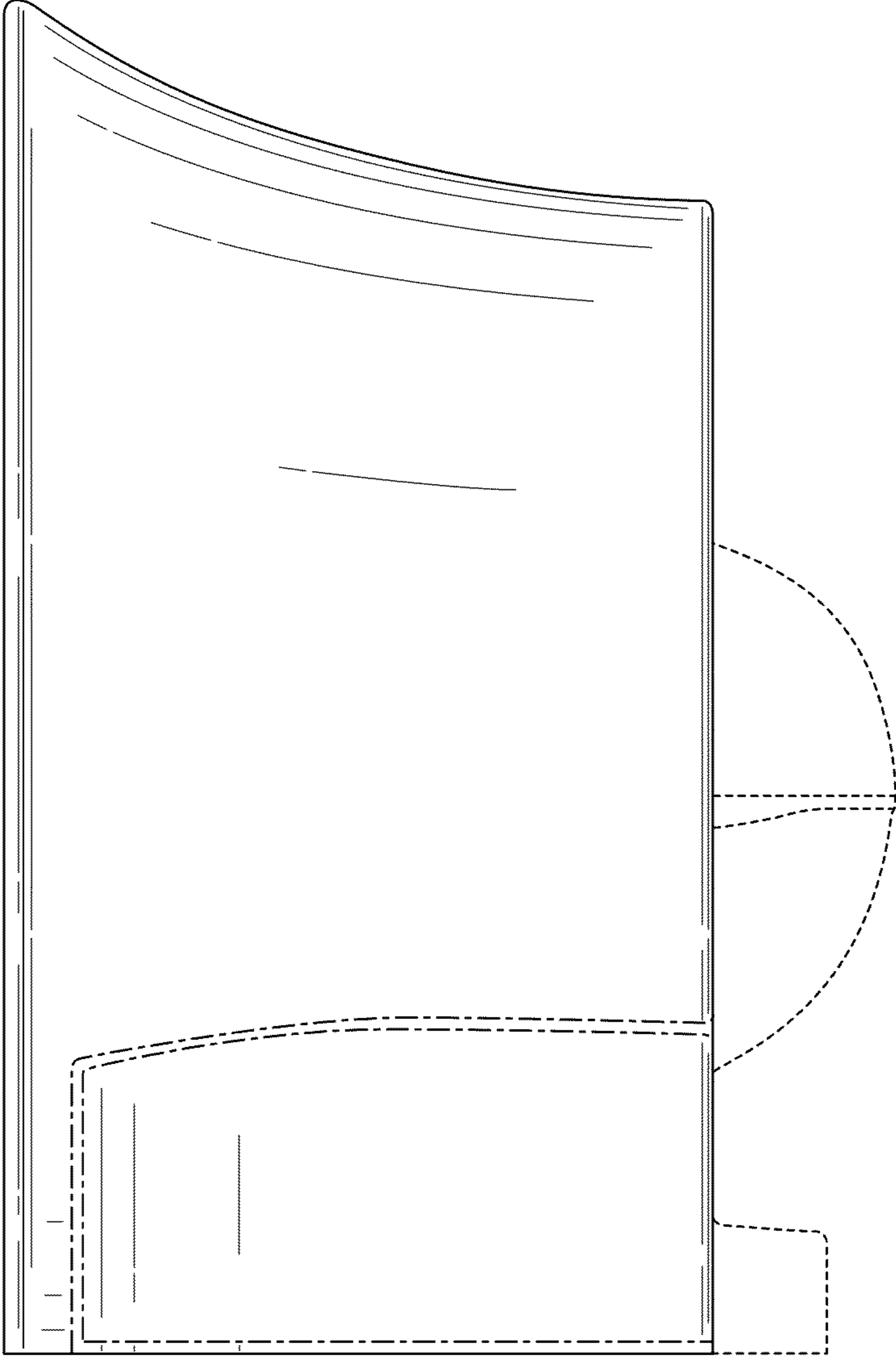


FIG. 4

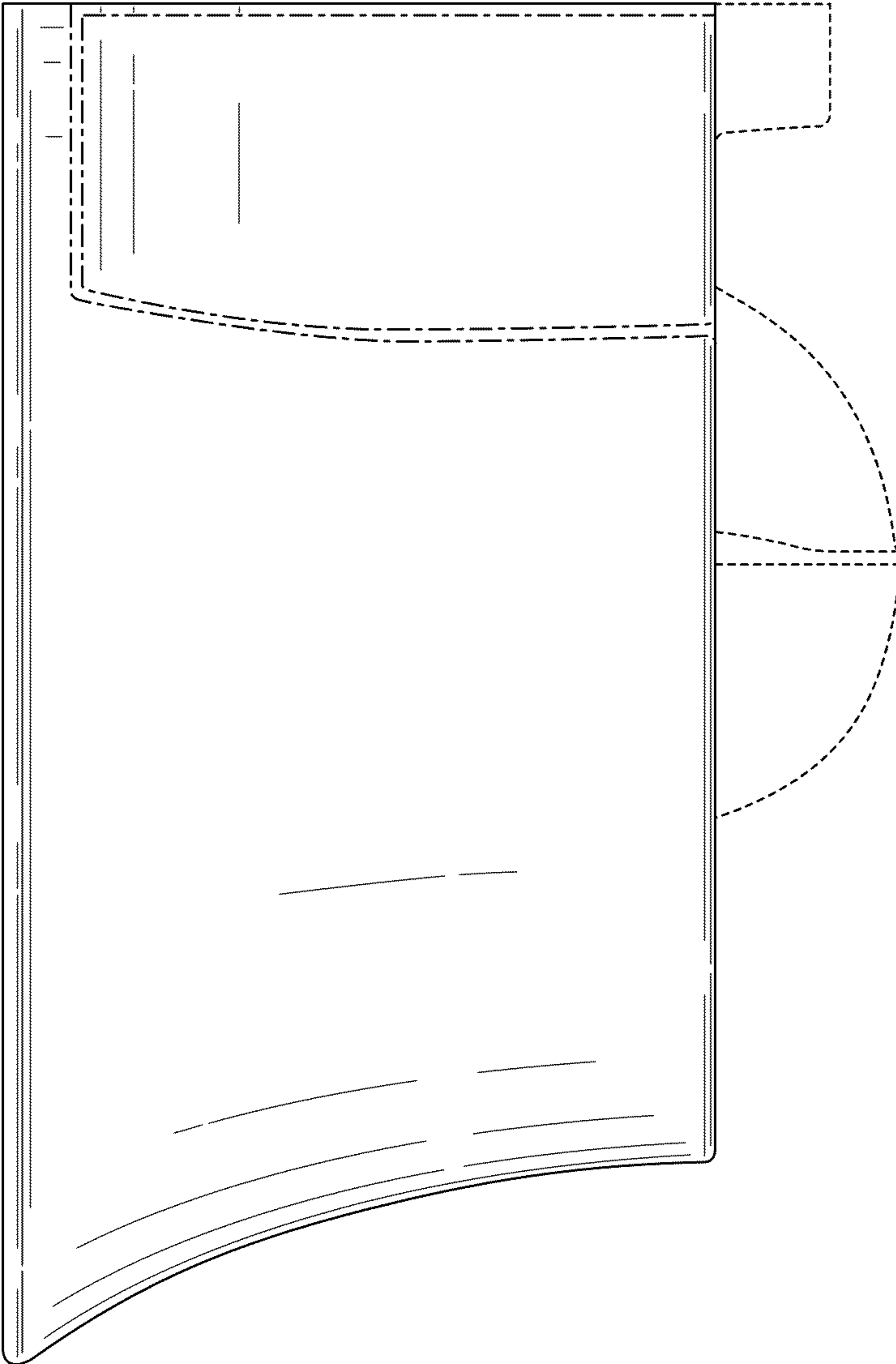
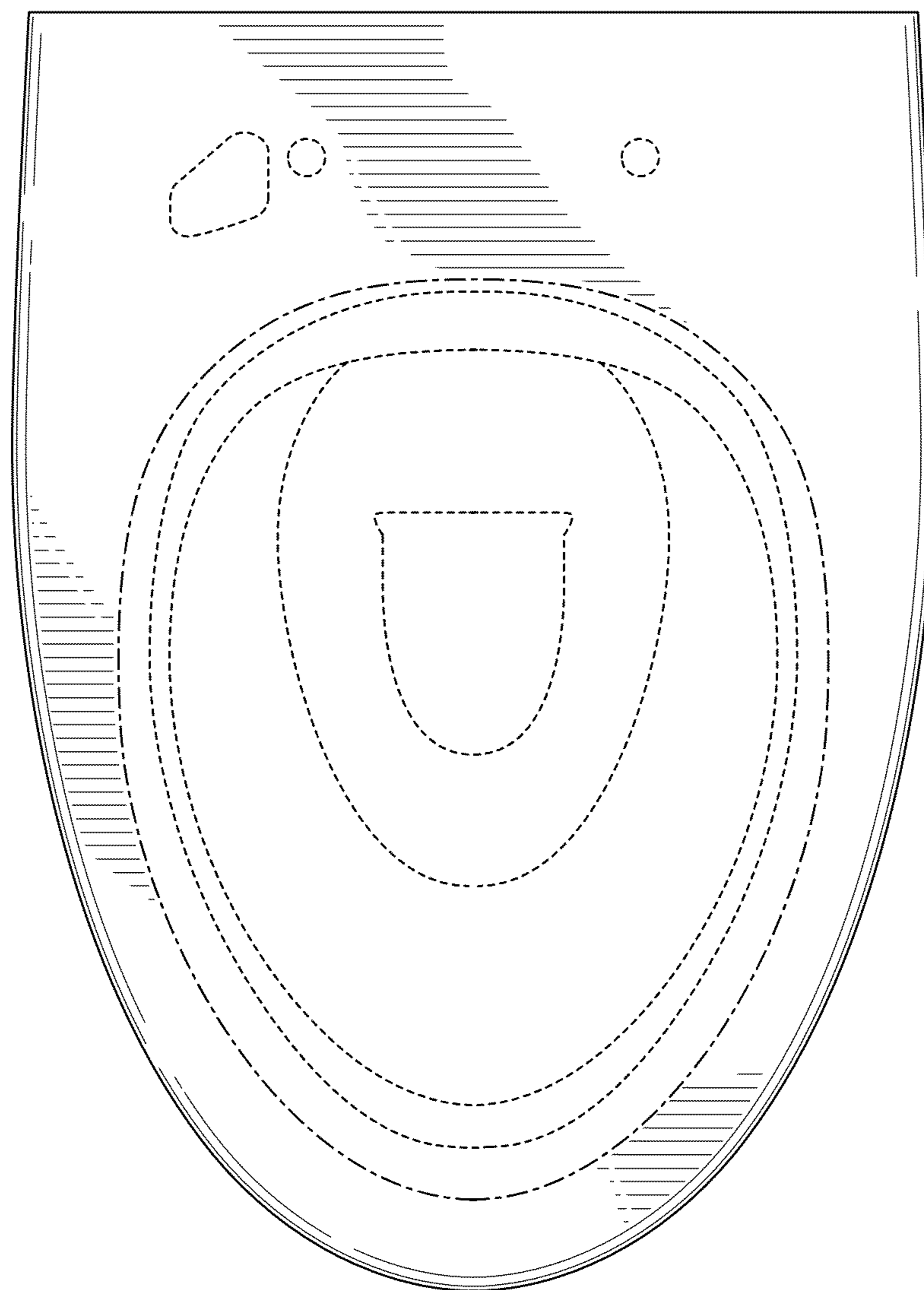
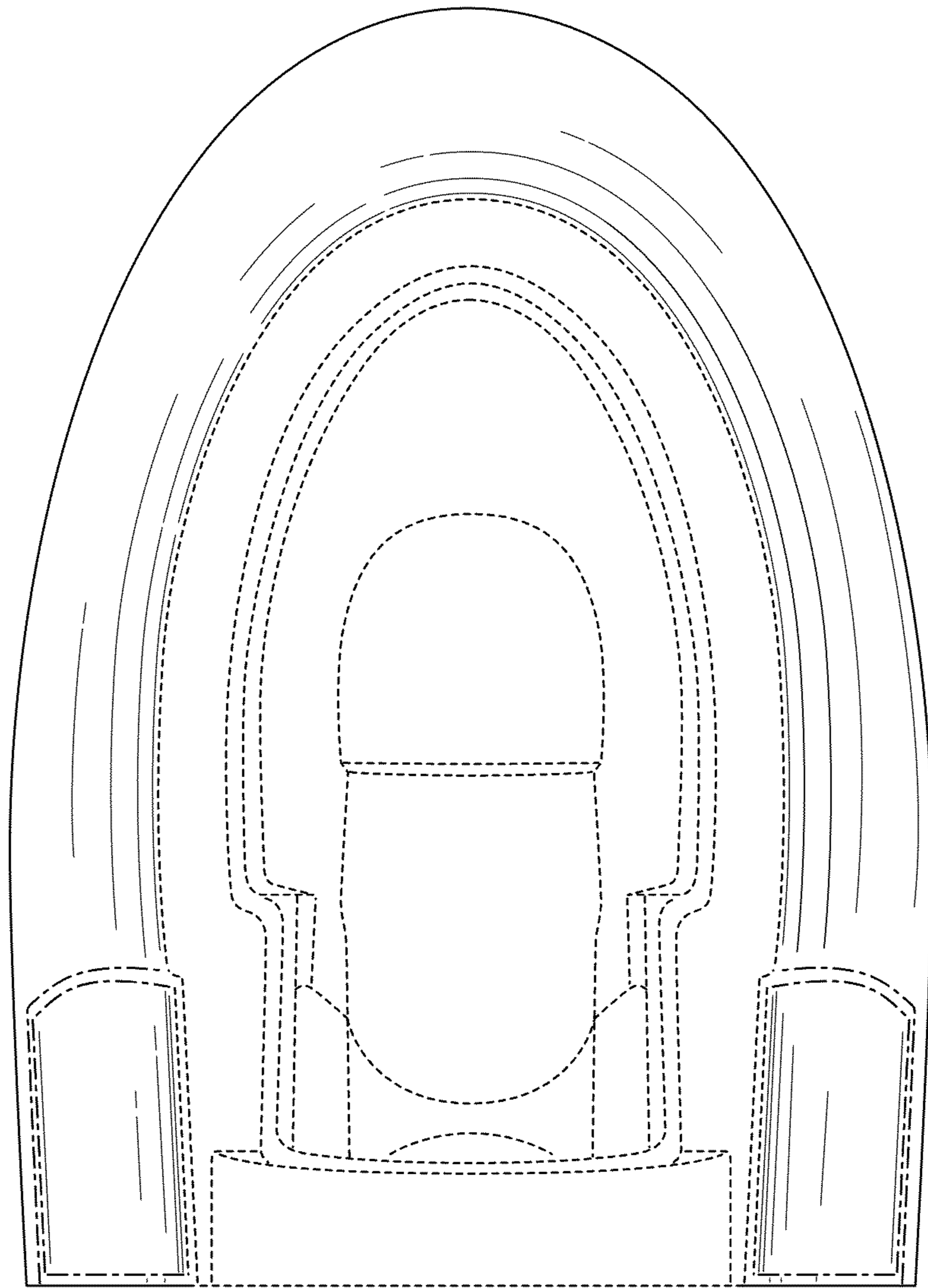


FIG. 5



**FIG. 6**





**FIG. 7**