



US00D693907S

(12) **United States Design Patent**
Mendoza et al.

(10) **Patent No.:** **US D693,907 S**

(45) **Date of Patent:** **** Nov. 19, 2013**

(54) **FAUCET**

D531,699 S * 11/2006 Haug et al. D23/238
D572,797 S * 7/2008 Kubler D23/238
D582,514 S * 12/2008 Painter D23/238

(71) Applicant: **TOTO, Ltd.**, Kitakyushu (JP)

* cited by examiner

(72) Inventors: **Lea Mari Mendoza**, Morrow, GA (US);
Steven Chen, Morrow, GA (US);
Mitsuya Obara, Morrow, GA (US)

Primary Examiner — Robert Delehanty

(74) *Attorney, Agent, or Firm* — Banner & Witcoff, Ltd.

(73) Assignee: **Toto Ltd.** (JP)

(**) Term: **14 Years**

(57) **CLAIM**

The ornamental design for a faucet, as shown and described.

(21) Appl. No.: **29/451,278**

DESCRIPTION

(22) Filed: **Mar. 29, 2013**

(51) **LOC (9) Cl.** **23-01**

(52) **U.S. Cl.**
USPC **D23/238**

(58) **Field of Classification Search**
USPC D23/238, 241–243, 250, 254.255, 257;
4/675–678; 137/801
See application file for complete search history.

FIG. 1 is a perspective view of front, top and right side of a faucet showing our new design;
FIG. 2 is a front view thereof;
FIG. 3 is a rear view thereof;
FIG. 4 is a right side view thereof; the left side view being a mirror image of the right side;
FIG. 5 is a top view thereof; and,
FIG. 6 is a bottom view thereof.

The broken lines shown are included for the purpose of illustrating the unclaimed portions of a faucet and form no part of the claimed design.

(56) **References Cited**

U.S. PATENT DOCUMENTS

D524,417 S * 7/2006 Kulig D23/238
D529,991 S * 10/2006 Egli et al. D23/238

1 Claim, 4 Drawing Sheets

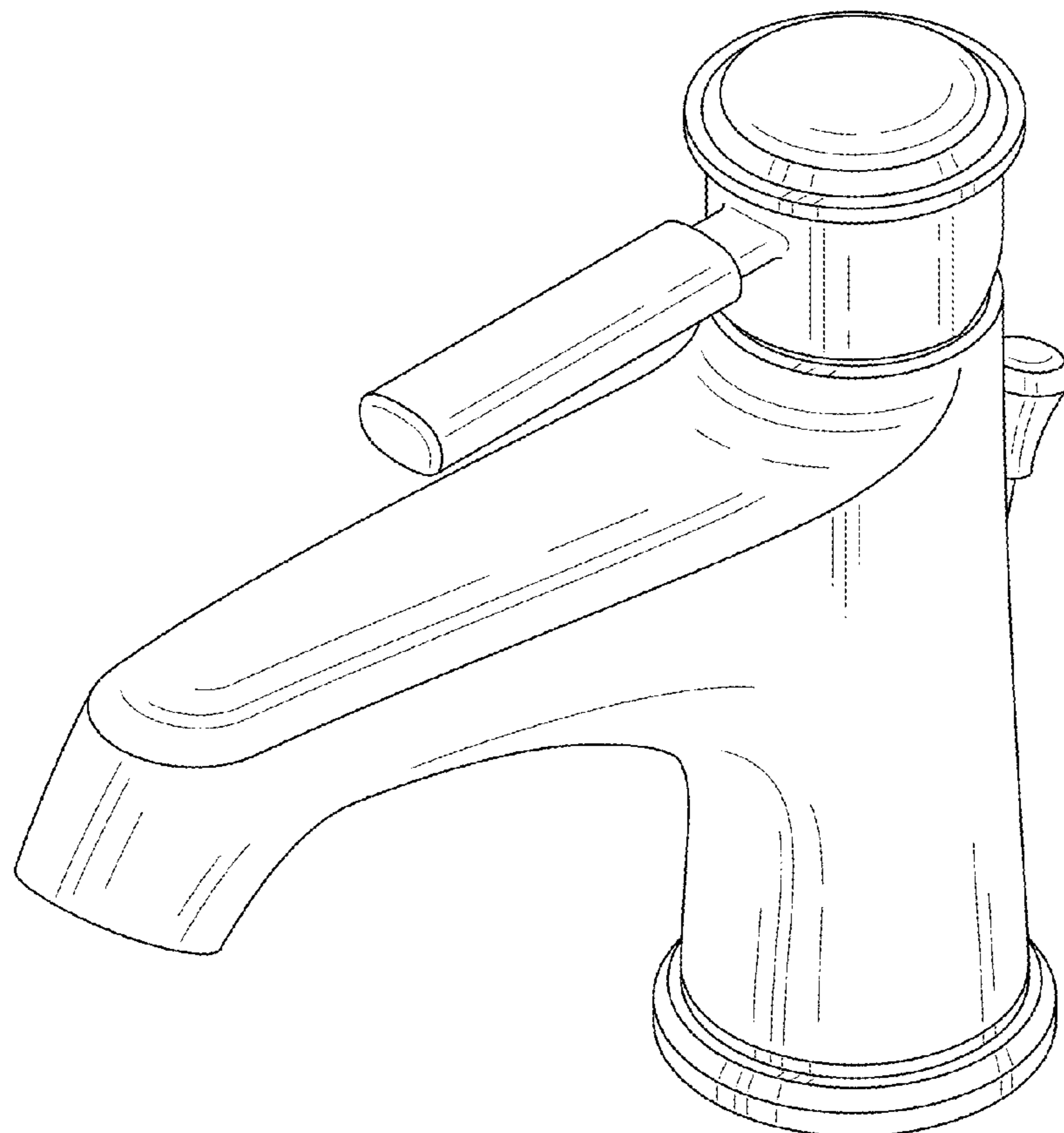


Fig. 1

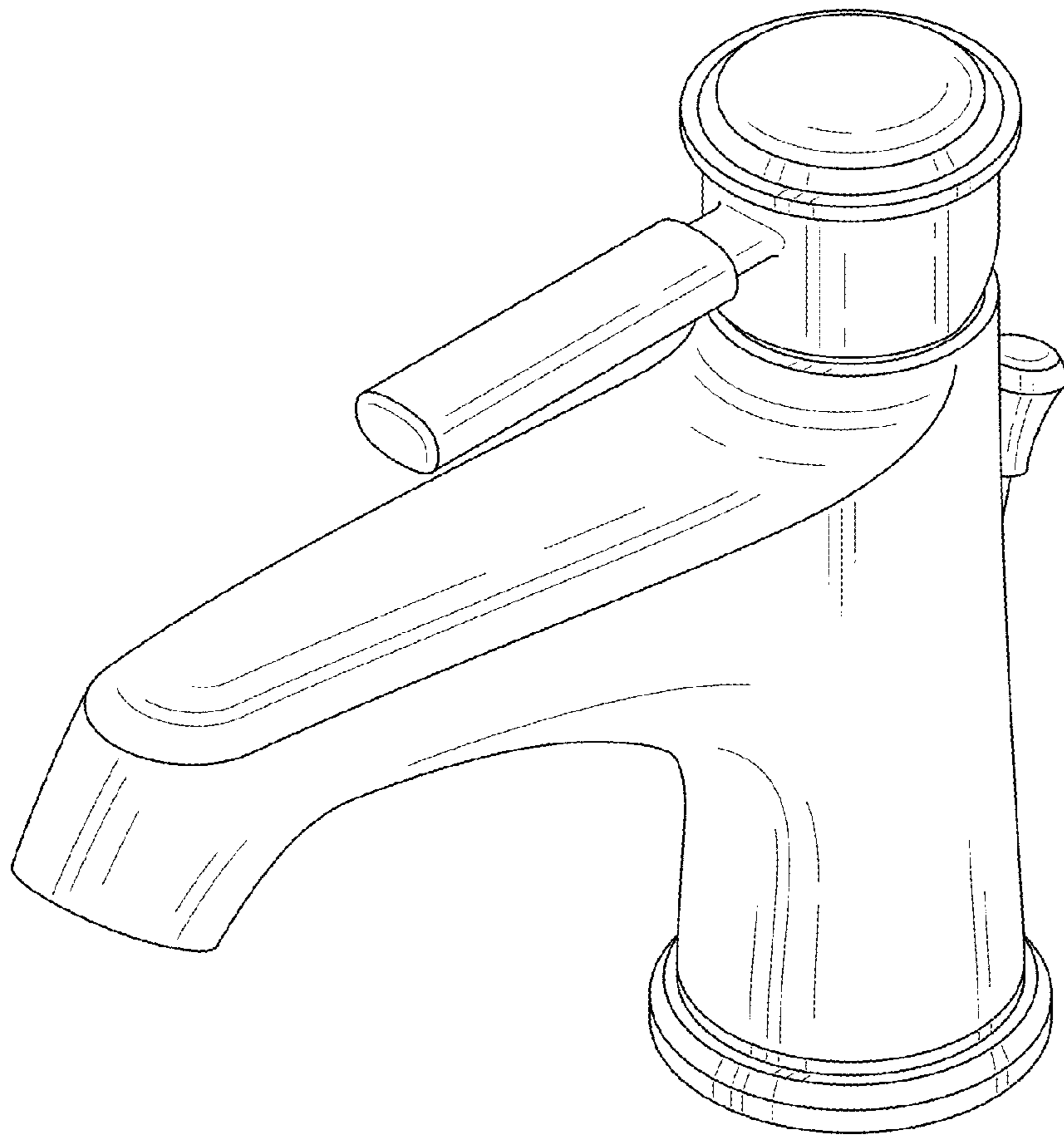


Fig. 2

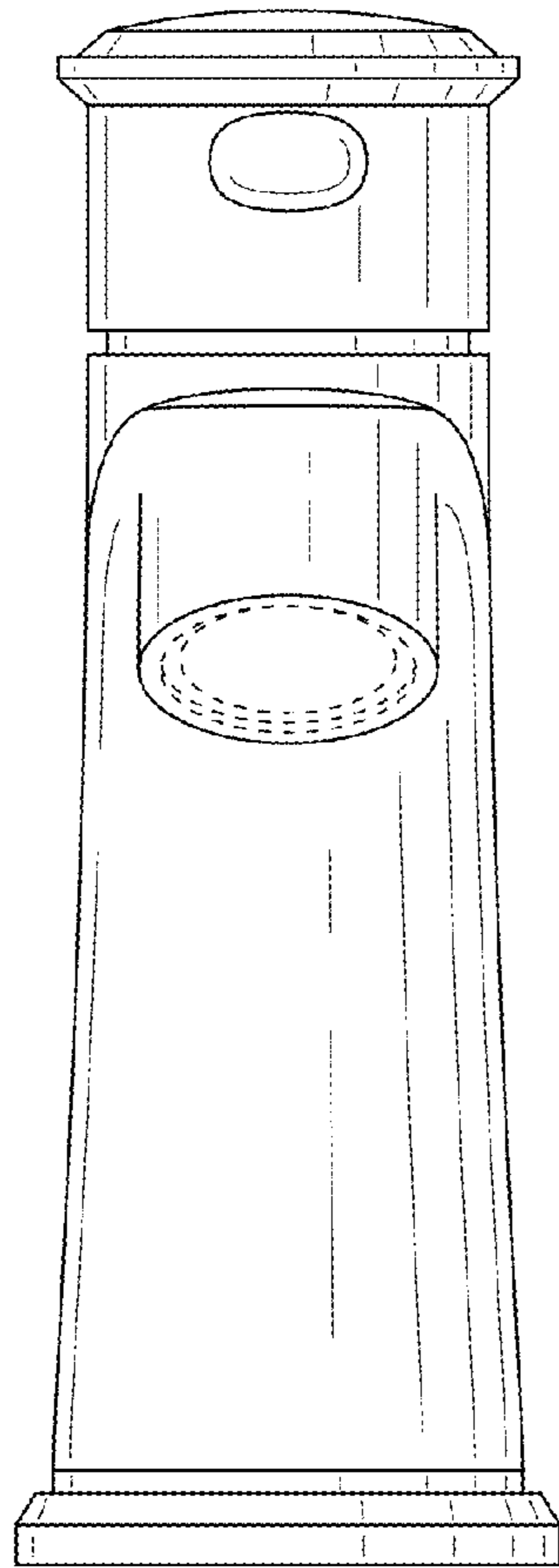


Fig. 3

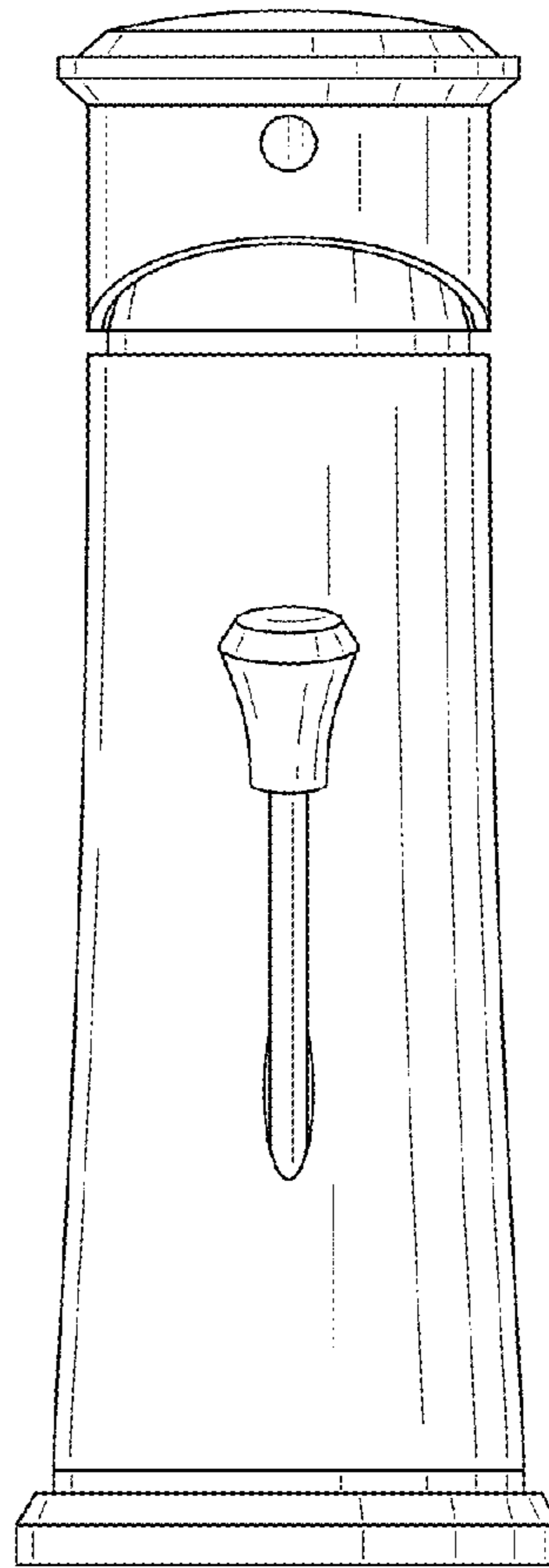


Fig. 4

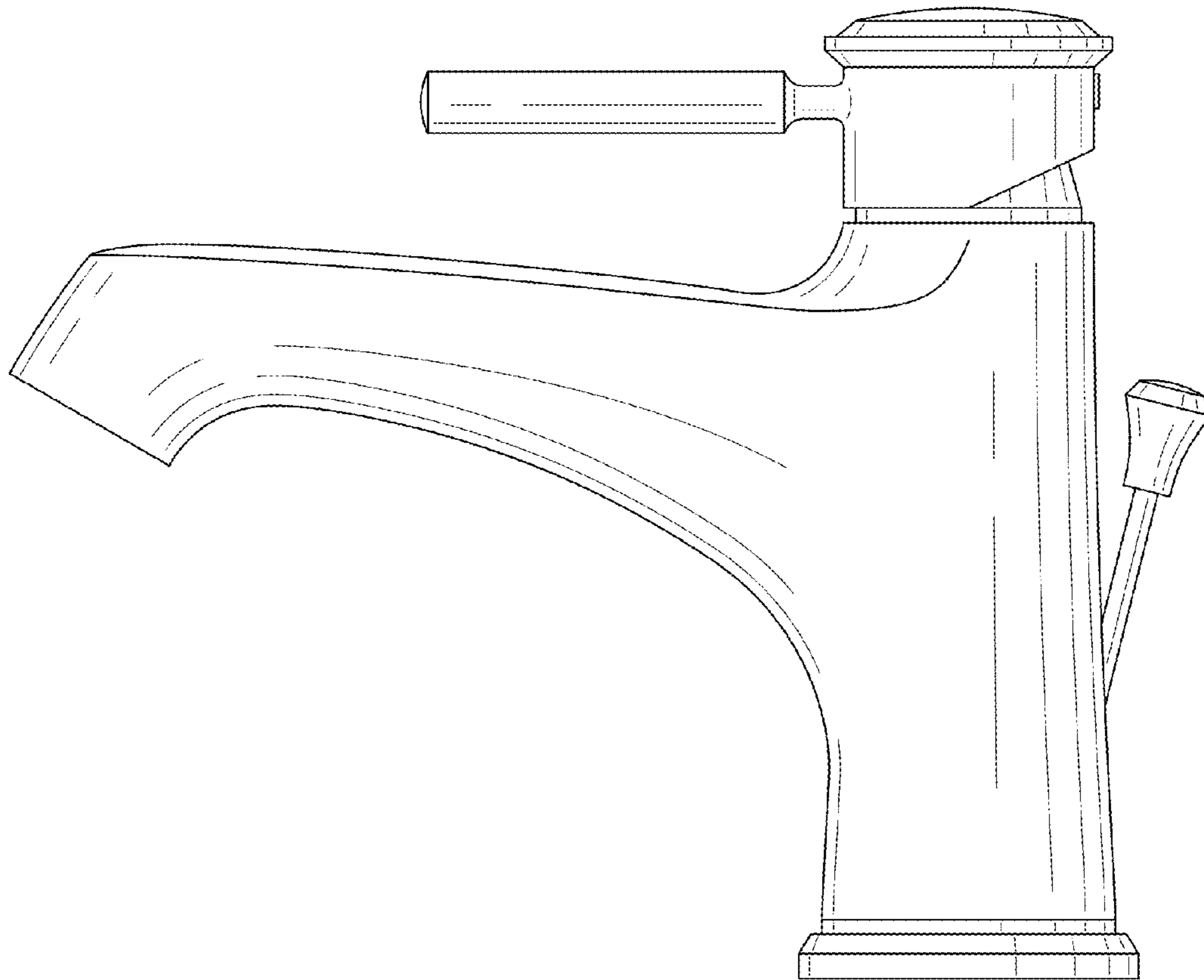


Fig. 5

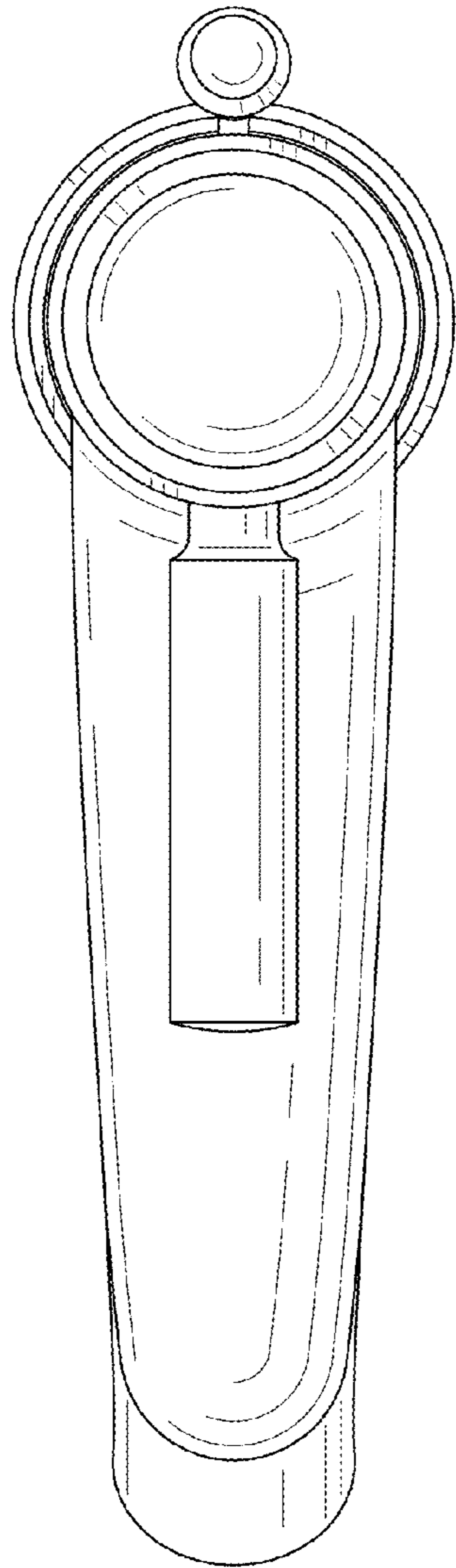


Fig. 6

